



US00D974137S

(12) **United States Design Patent**
Lindsay

(10) **Patent No.:** **US D974,137 S**

(45) **Date of Patent:** **** Jan. 3, 2023**

(54) **ENGRAVING TOOL**

(71) Applicant: **Steve J. Lindsay**, Kearney, NE (US)

(72) Inventor: **Steve J. Lindsay**, Kearney, NE (US)

(**) Term: **15 Years**

(21) Appl. No.: **29/772,377**

(22) Filed: **Mar. 1, 2021**

(51) **LOC (14) Cl.** **08-05**

(52) **U.S. Cl.**
USPC **D8/47**; D8/107

(58) **Field of Classification Search**
USPC D8/14, 47, 98, 107
CPC .. B44B 3/02; B44B 3/63; B44B 3/063; B44B
3/00; B44B 3/006; B44B 3/06
See application file for complete search history.

(56) **References Cited**

U.S. PATENT DOCUMENTS

D291,581 S *	8/1987	Adams	D18/14
D424,613 S *	5/2000	Chiang	D8/61
6,488,102 B2 *	12/2002	Lindsay	B44B 3/005 173/128
7,093,368 B1 *	8/2006	Nelson	B44B 3/063 33/18.1
D621,237 S *	8/2010	Papenfuss	D8/47
D669,931 S *	10/2012	Gomez	D18/57

9,079,286 B1 *	7/2015	DeCamillis	B25D 9/14
10,926,577 B1 *	2/2021	DeCamillis	B44B 11/02
2004/0060180 A1 *	4/2004	Nelson	B44B 3/063 33/18.1
2009/0295104 A1 *	12/2009	Cover	B25G 3/26 279/83
2019/0070892 A1 *	3/2019	Johnson	B44B 3/063

* cited by examiner

Primary Examiner — Philip S Hyder

(74) *Attorney, Agent, or Firm* — Ryan T. Grace; Advent, LLP

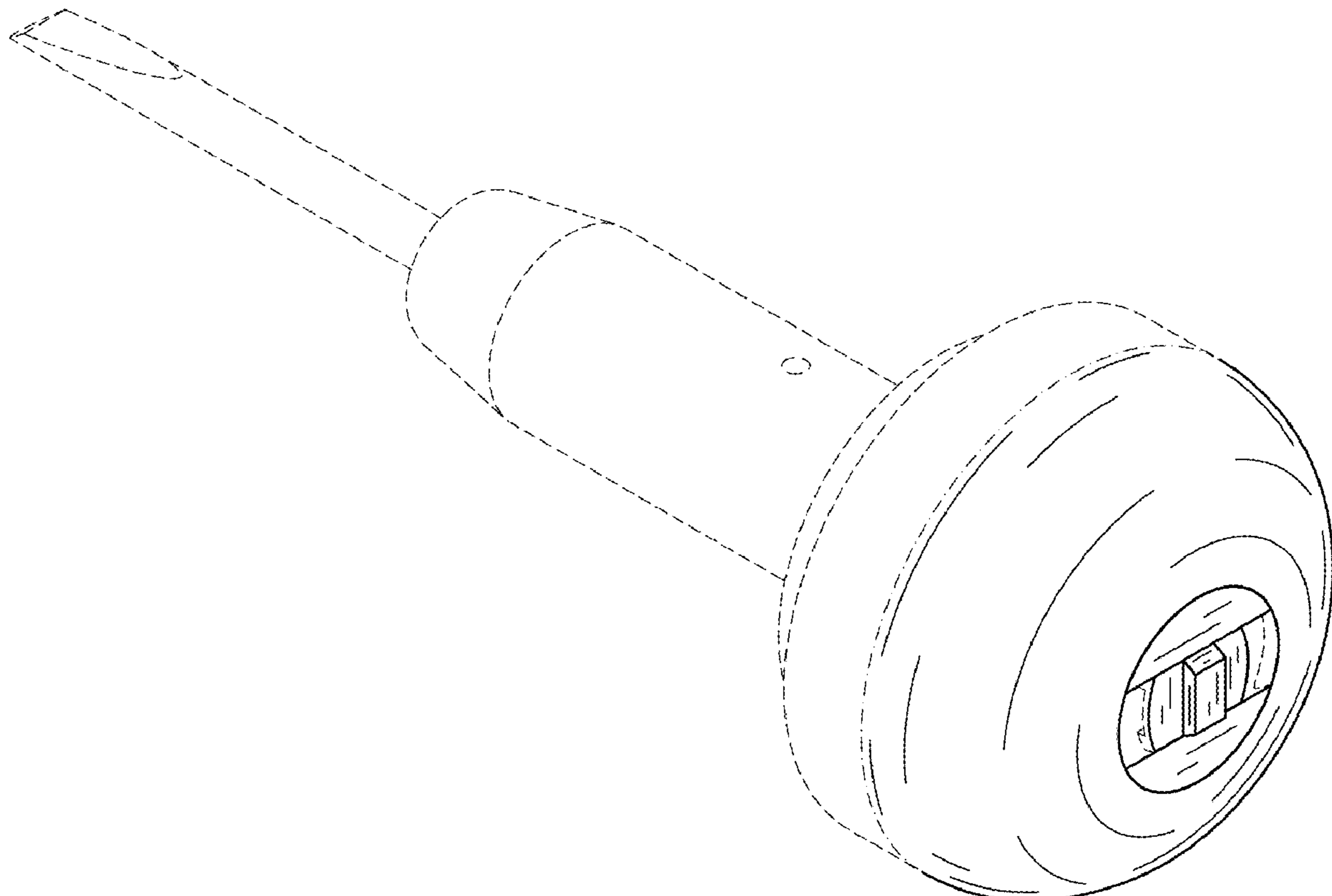
(57) **CLAIM**

The ornamental design for an engraving tool, as shown and described.

DESCRIPTION

FIG. 1 is an isometric view of an engraving tool.
FIG. 2 is another isometric view of the engraving tool of FIG. 1.
FIG. 3 is a top plan view of the engraving tool of FIG. 1.
FIG. 4 is a bottom view of the engraving tool of FIG. 1.
FIG. 5 is front view of the engraving tool of FIG. 1.
FIG. 6 a rear view of the engraving tool of FIG. 1.
FIG. 7 is a left side view of the engraving tool of FIG. 1; and,
FIG. 8 is a right side view of the engraving tool of FIG. 1.
The broken lines in FIGS. 1 through 8 depict portions of the engraving tool in which the design is embodied that form no part of the claimed design. The dash-dot-dash broken lines define the boundaries of the claimed design.

1 Claim, 7 Drawing Sheets



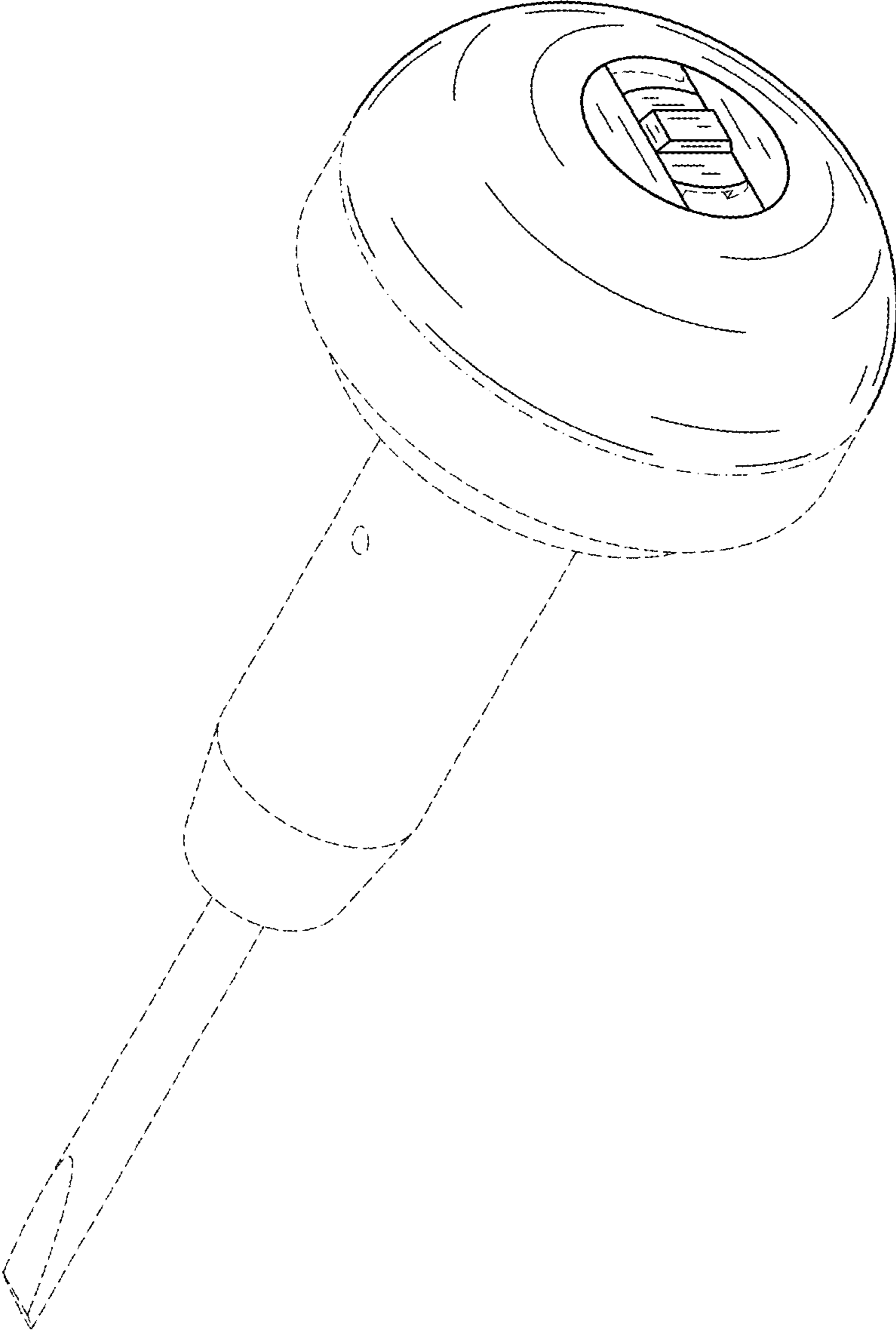


FIG. 1

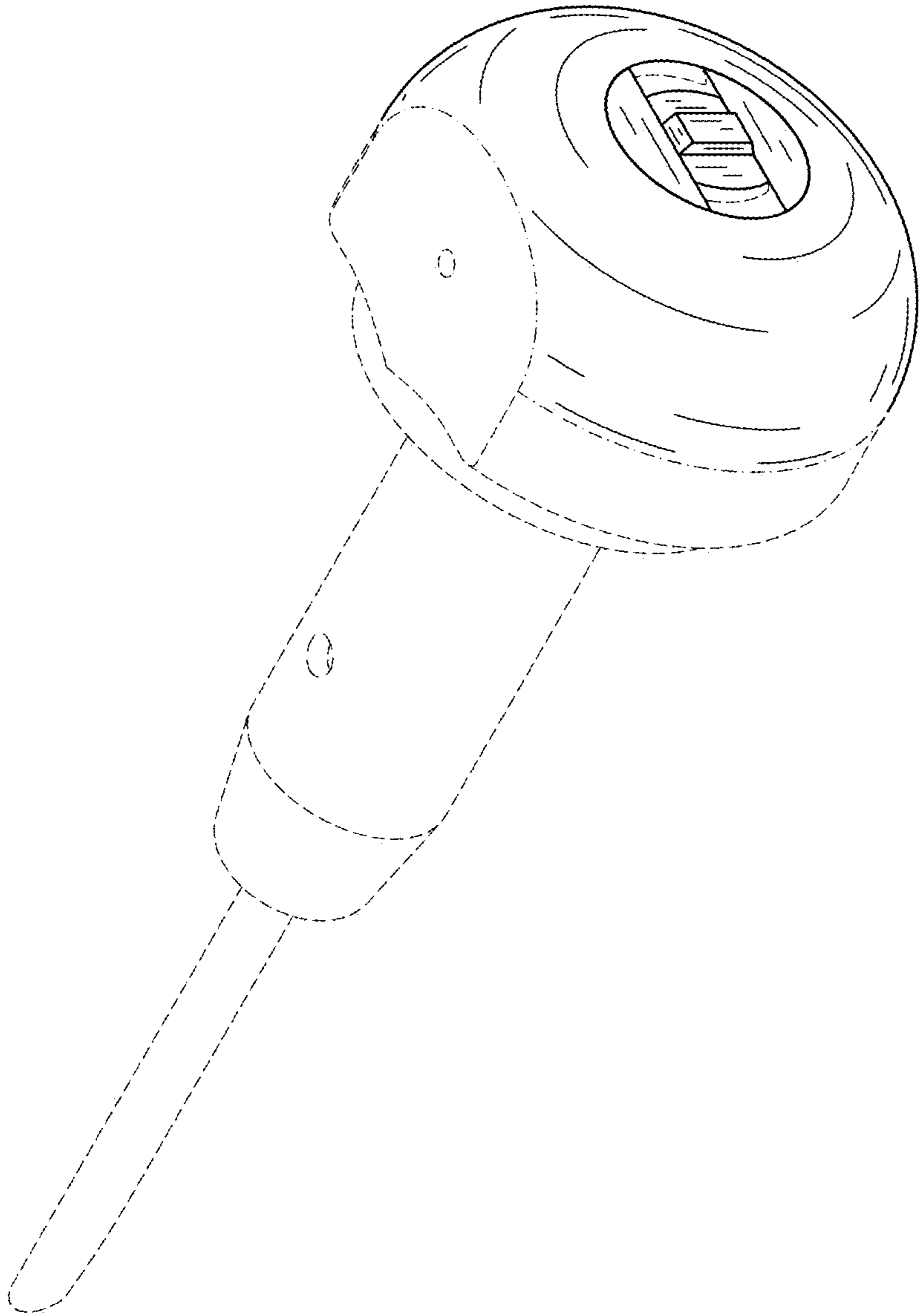


FIG. 2

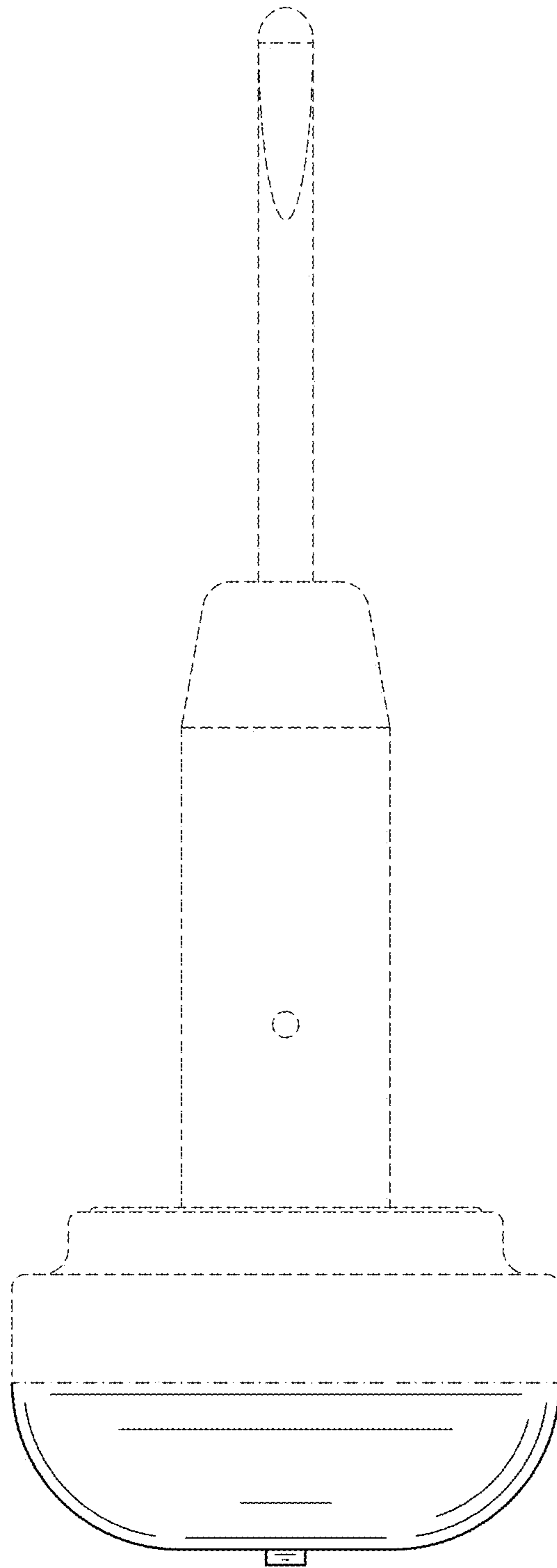


FIG. 3

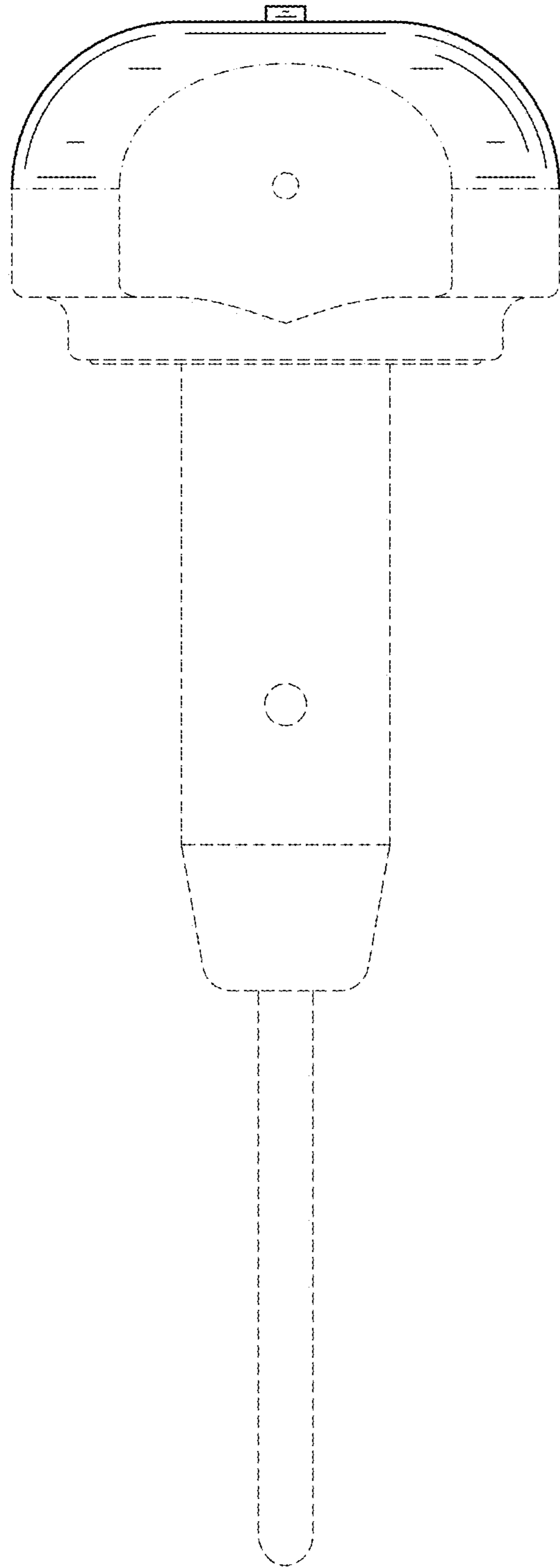


FIG. 4

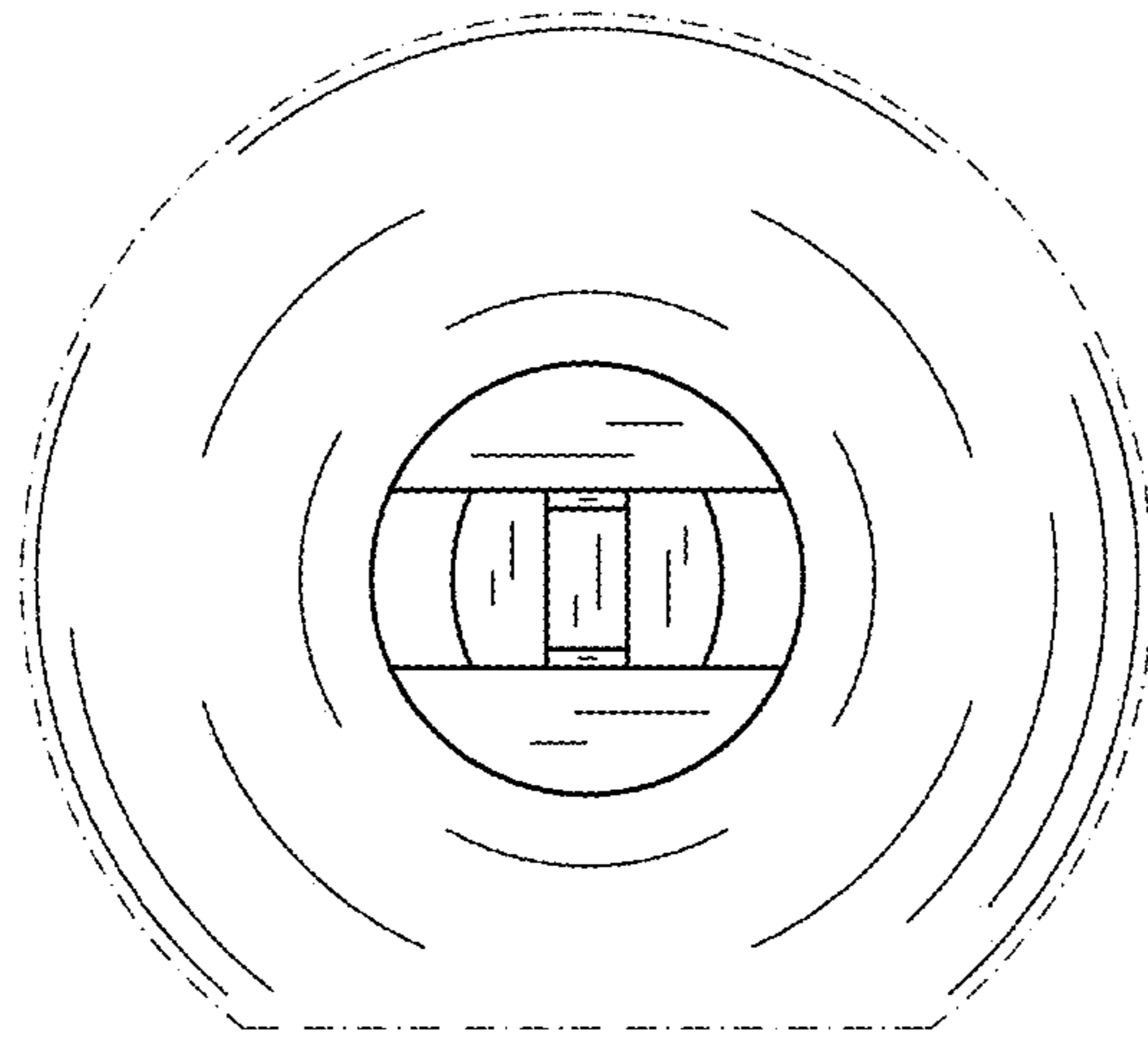


FIG. 5

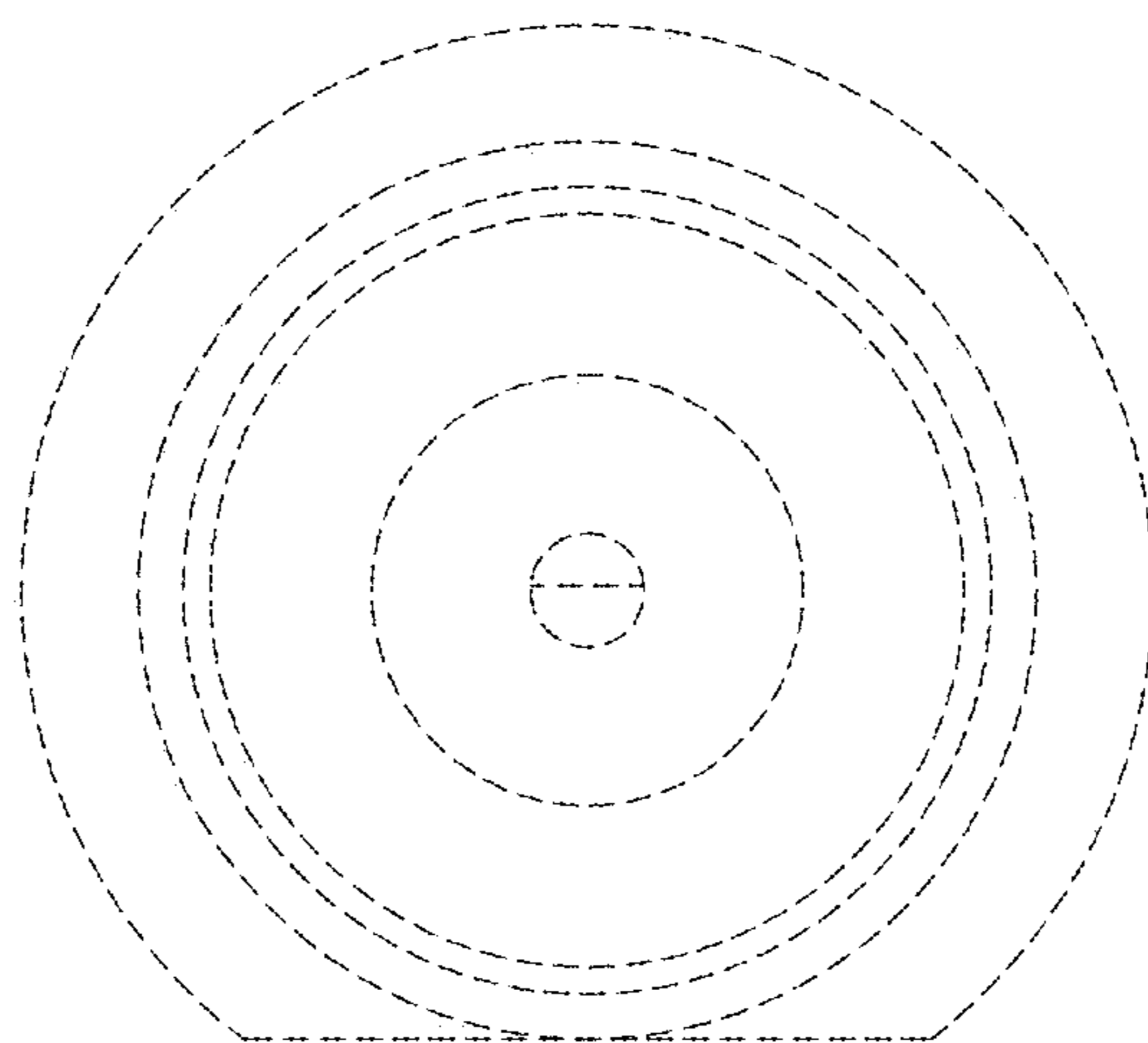


FIG. 6

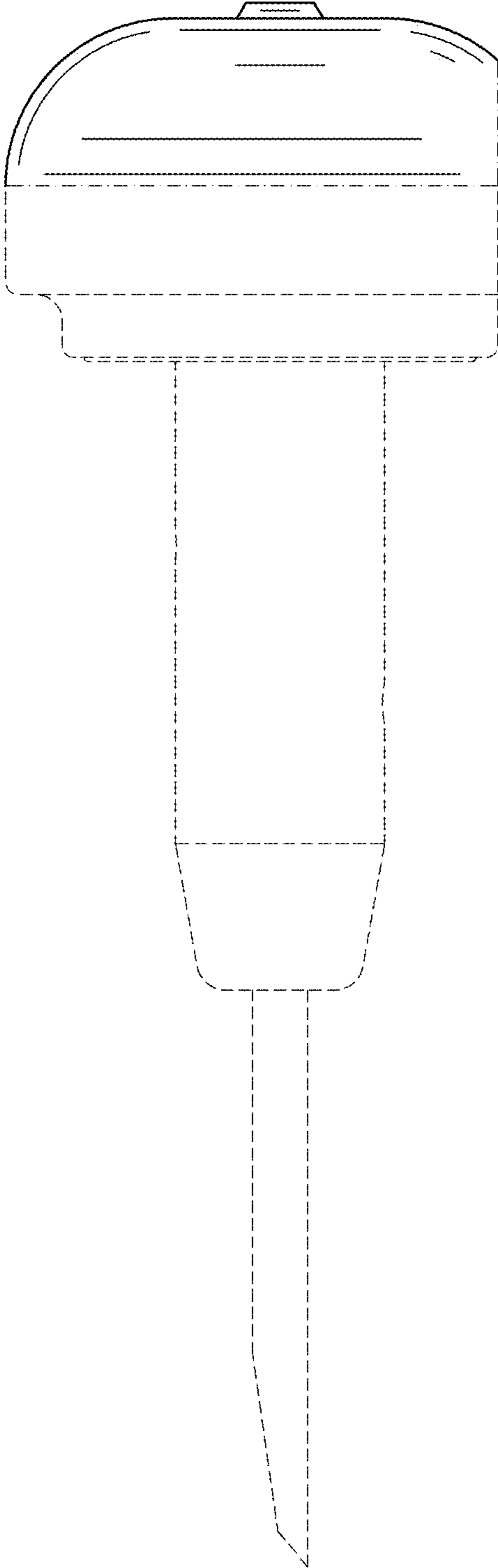


FIG. 7

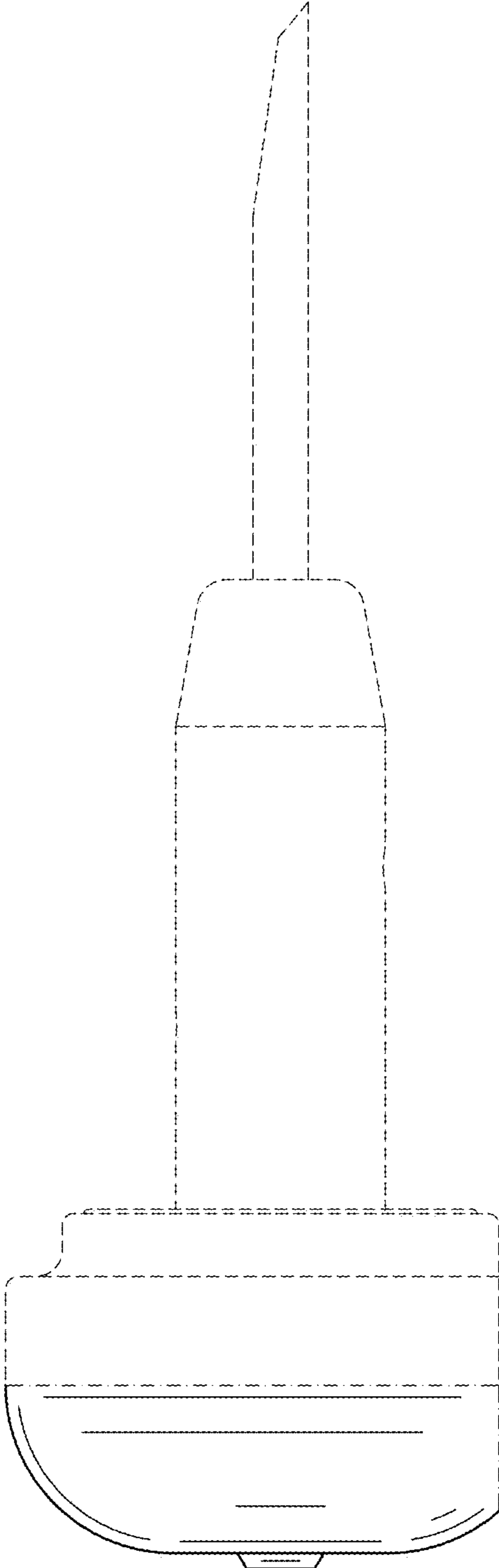


FIG. 8