



US00D974135S

(12) **United States Design Patent**
Owens

(10) **Patent No.:** **US D974,135 S**
(45) **Date of Patent:** **** Jan. 3, 2023**

(54) **REMOVABLE ATTACHMENT FOR PLASTER TAPING DEVICE**

(71) Applicant: **PHAANIX PTY LTD**, Newtown (AU)

(72) Inventor: **Daniel Luke Owens**, Newtown (AU)

(73) Assignee: **PHAANIX PTY LTD**, Newtown (AU)

(**) Term: **15 Years**

(21) Appl. No.: **29/788,557**

(22) Filed: **Jun. 22, 2021**

Related U.S. Application Data

(63) Continuation of application No. 29/718,308, filed on Dec. 23, 2019, now Pat. No. Des. 934,643, which is a continuation of application No. 15/792,726, filed on Oct. 24, 2017, now Pat. No. 10,533,326.

(51) **LOC (14) Cl.** **08-05**

(52) **U.S. Cl.**
USPC **D8/45; D8/51**

(58) **Field of Classification Search**
USPC D8/14, 51; D19/67, 68, 69
CPC E04F 13/068; E04F 21/08; E04F 21/0084;
E04F 13/042; E04F 21/16; E04F 21/1657
See application file for complete search history.

(56) **References Cited**

U.S. PATENT DOCUMENTS

4,196,028	A	4/1980	Mills
4,197,624	A	4/1980	Lass
4,406,730	A	9/1983	Altmix
4,451,223	A	5/1984	Mower et al.
5,114,527	A	5/1992	Stern
D331,354	S	12/1992	Stern
5,814,184	A	9/1998	Denkins
6,367,534	B1	4/2002	McGlenn
6,540,002	B1	4/2003	Edwards et al.
6,668,897	B2	12/2003	Gunn

8,955,573	B2	2/2015	Owens	
10,308,468	B1	6/2019	Wedekind	
10,458,129	B1	10/2019	Wedekind	
10,683,673	B2	6/2020	Chin-Chen	
D934,643	S *	11/2021	Owens E04F 21/16 D8/51
2003/0066611	A1	4/2003	Gunn	

(Continued)

FOREIGN PATENT DOCUMENTS

WO 2014202853 A1 12/2014

OTHER PUBLICATIONS

Liard. Uploaded Jun. 22, 2017, "Banjo Zunder delko France Europe". Retrieved from <https://www.youtube.com/watch?v=sxWSHWH3eTY>.

Primary Examiner — Philip S Hyder

(74) *Attorney, Agent, or Firm* — Kinney & Lange, P.A.

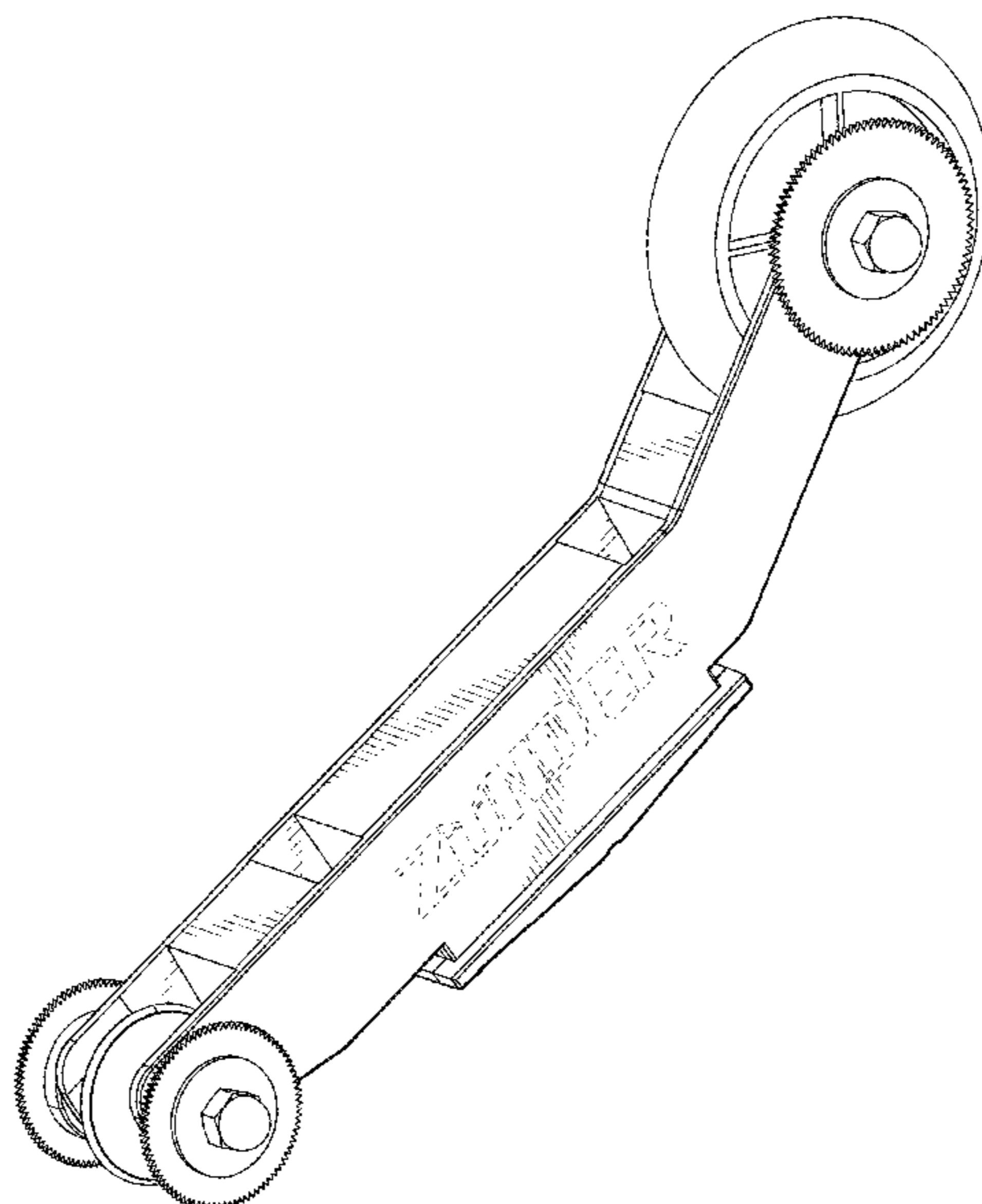
(57) **CLAIM**

The ornamental design for a removable attachment for plaster taping device, as shown and described.

DESCRIPTION

FIG. 1 is a right front perspective view of a removable attachment for a plaster taping device;
FIG. 2 is a left front perspective view of the removable attachment;
FIG. 3 is a right side view of the removable attachment;
FIG. 4 is a left side view of the removable attachment;
FIG. 5 is a front view of the removable attachment;
FIG. 6 is a rear view of the removable attachment;
FIG. 7 is a top view of the removable attachment; and,
FIG. 8 is a bottom view of the removable attachment.
The broken lines depict portions of the removable attachment for plaster taping device in which the design is embodied that are not considered part of the claimed design.

1 Claim, 8 Drawing Sheets



(56)

References Cited

U.S. PATENT DOCUMENTS

2010/0288443 A1 11/2010 Tucker
2019/0119931 A1 4/2019 Owens

* cited by examiner

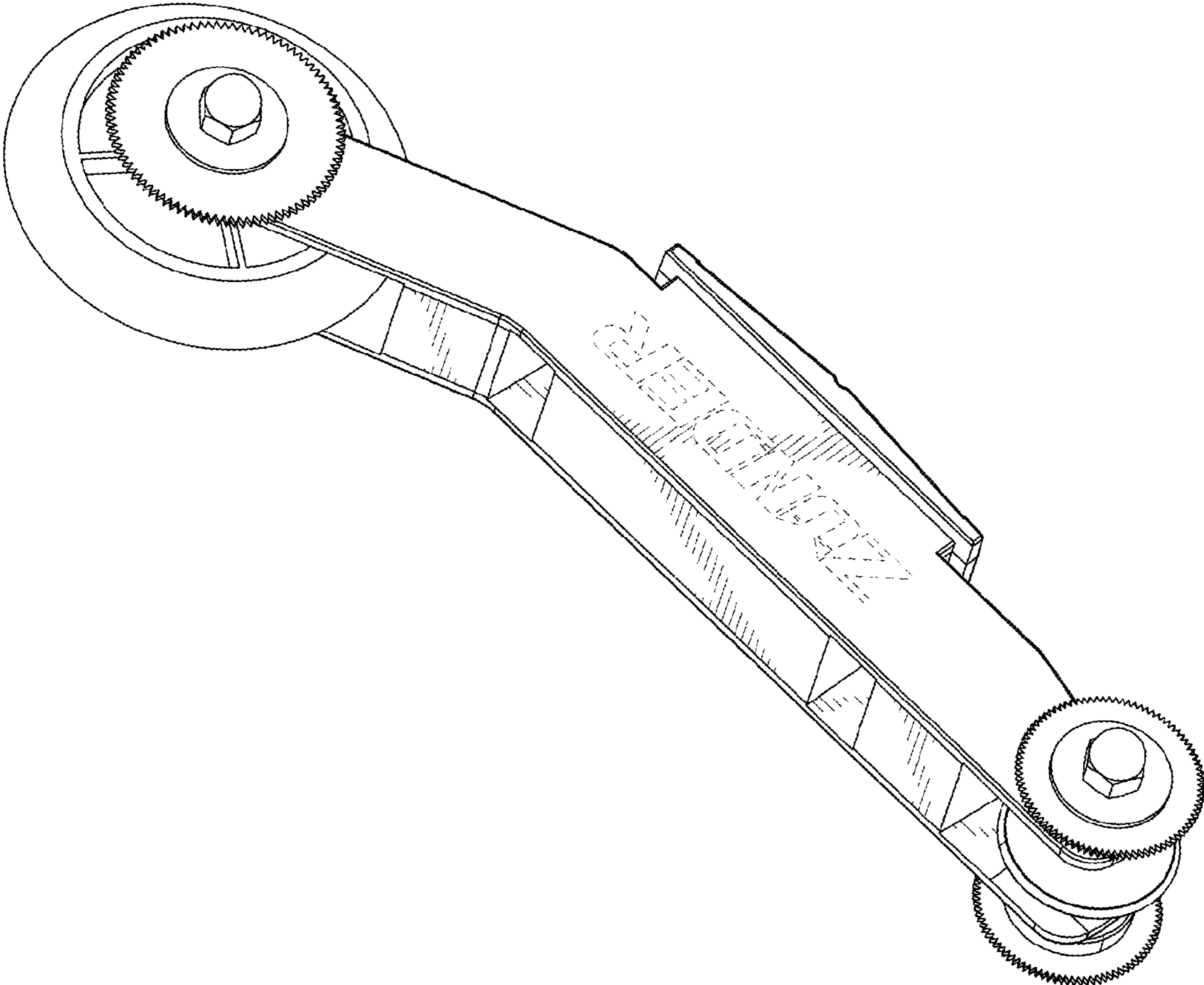


FIG. 1

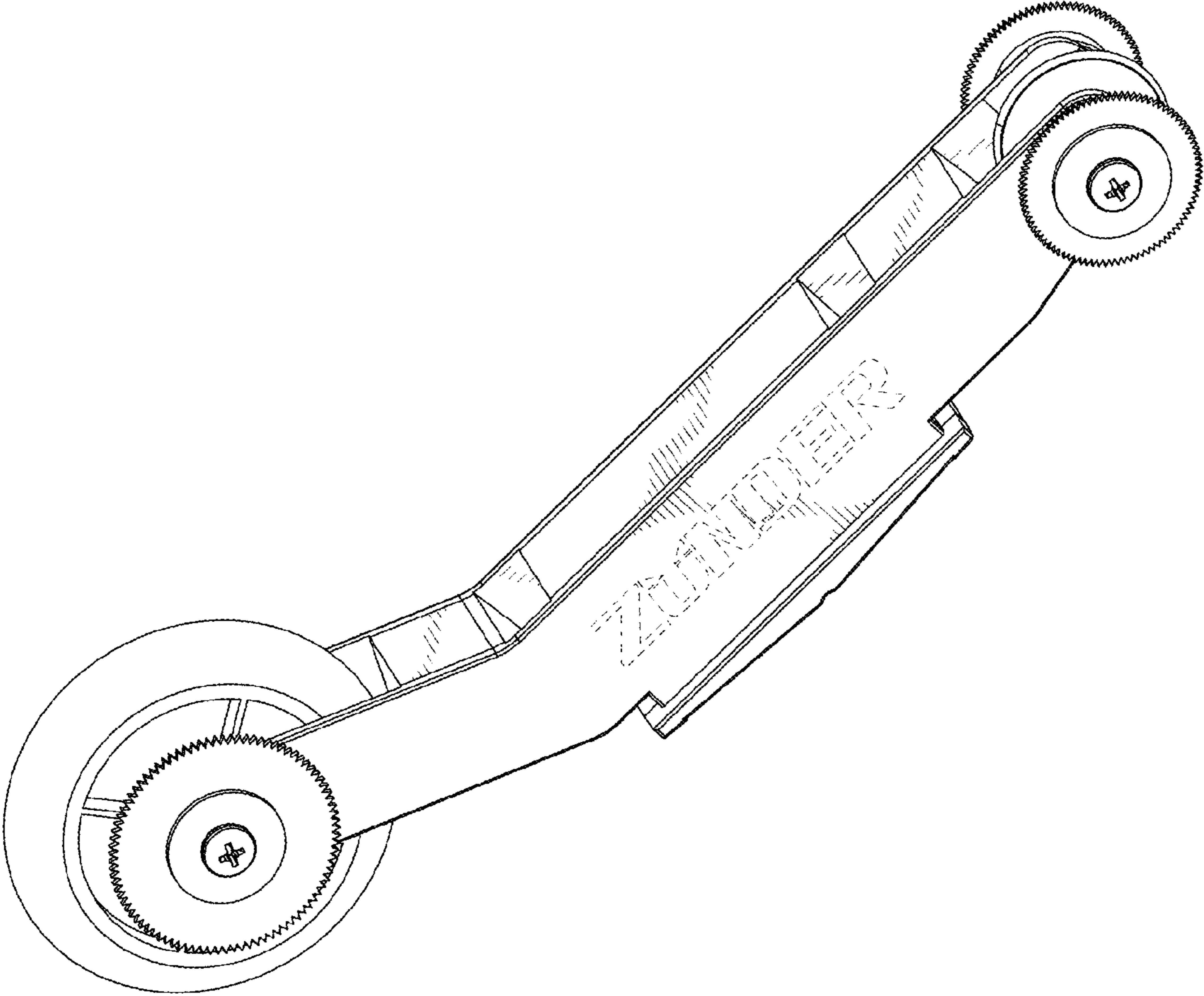


FIG. 2

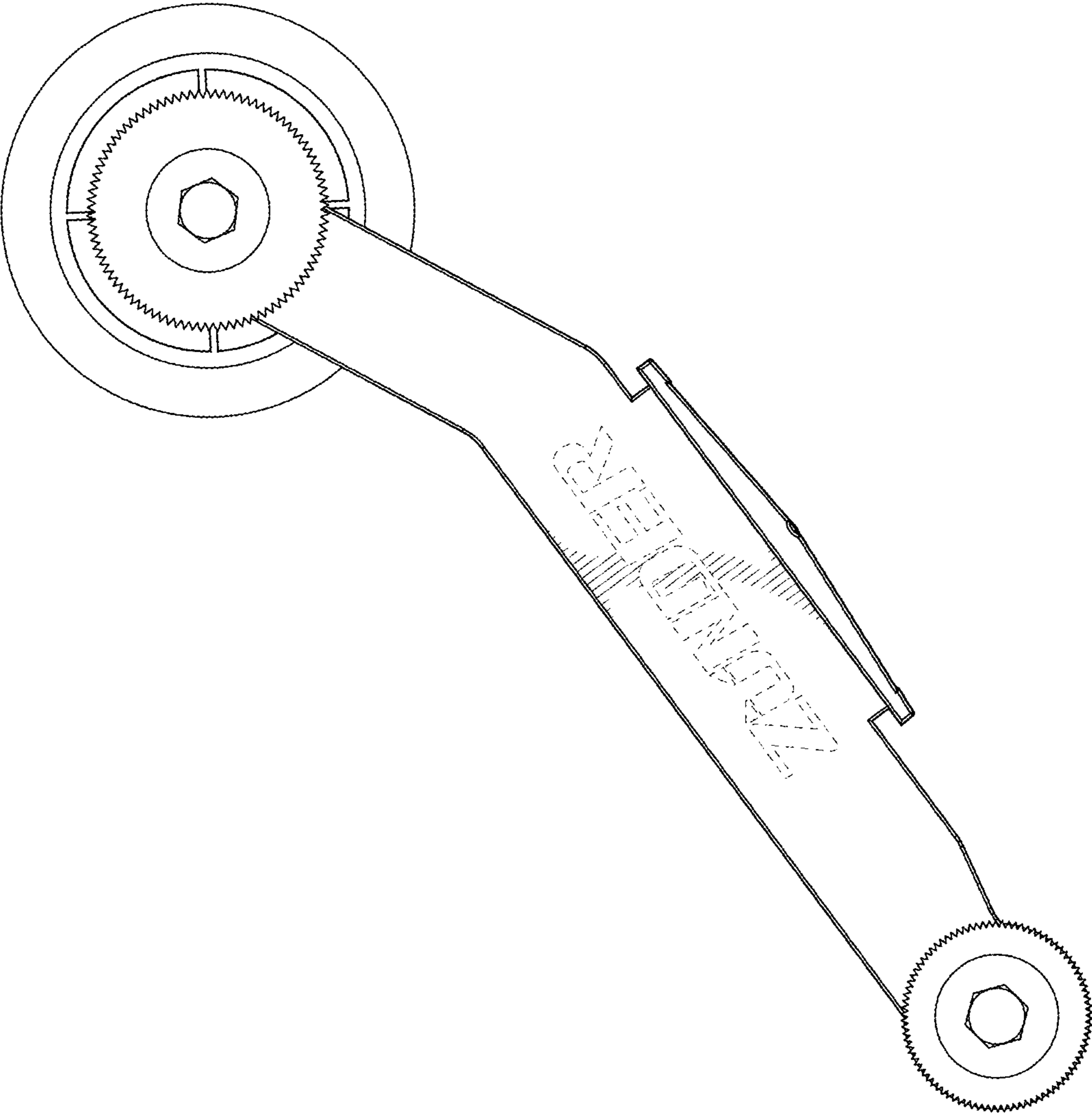


FIG.3

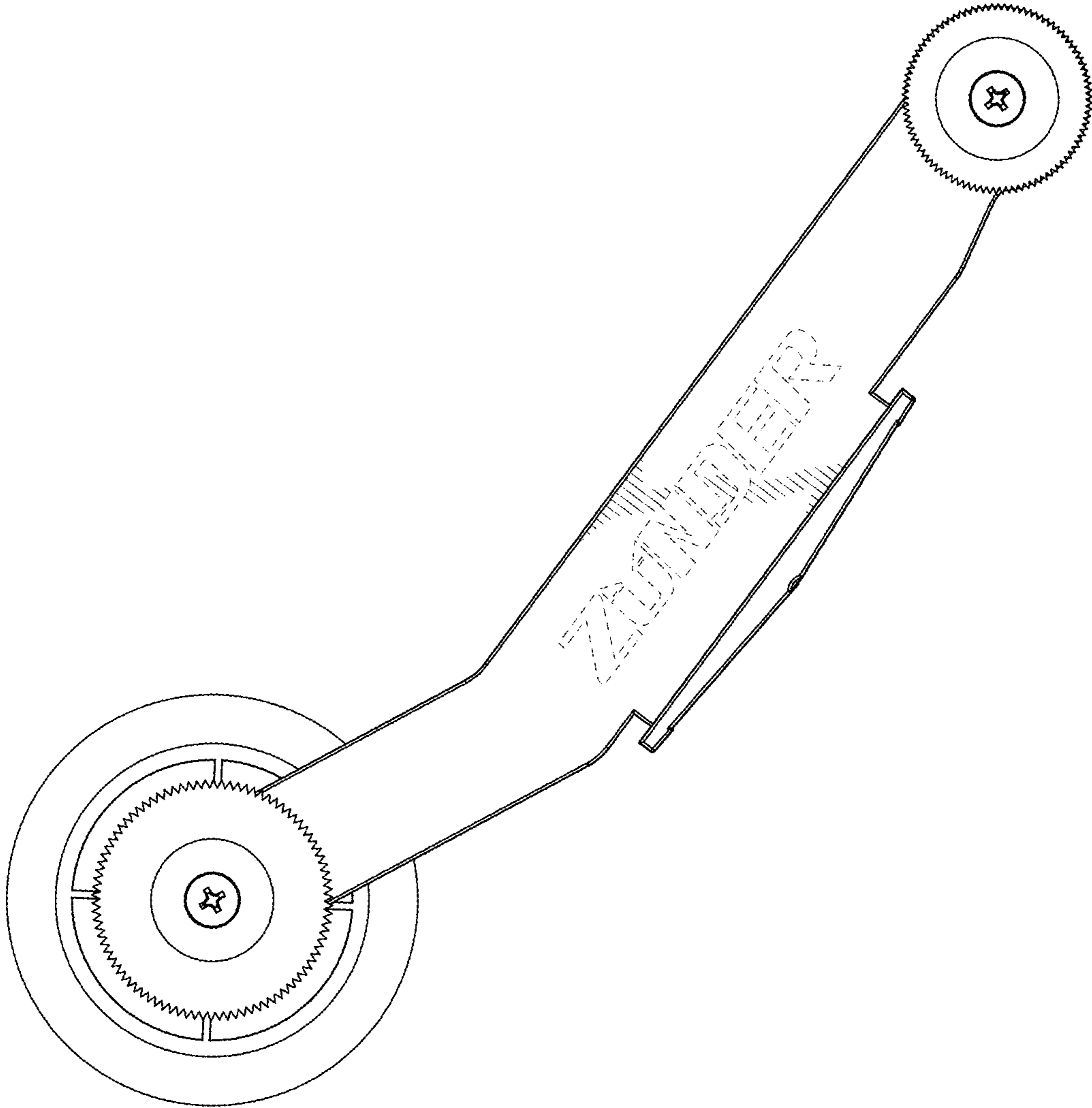


FIG.4

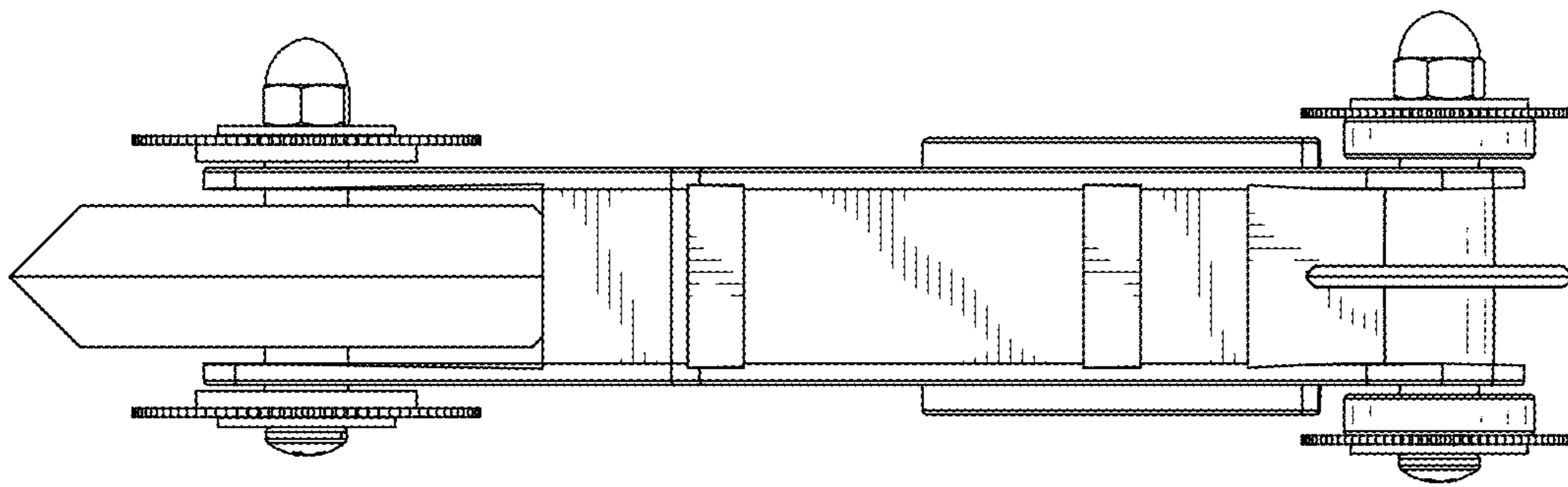


FIG. 5

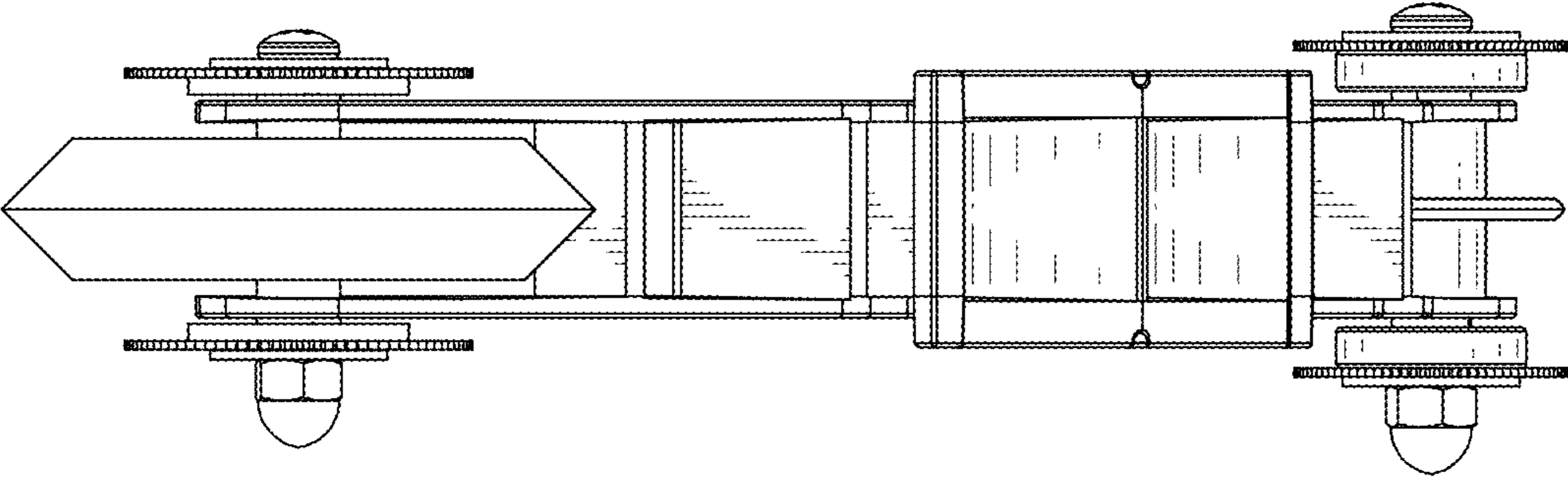


FIG. 6

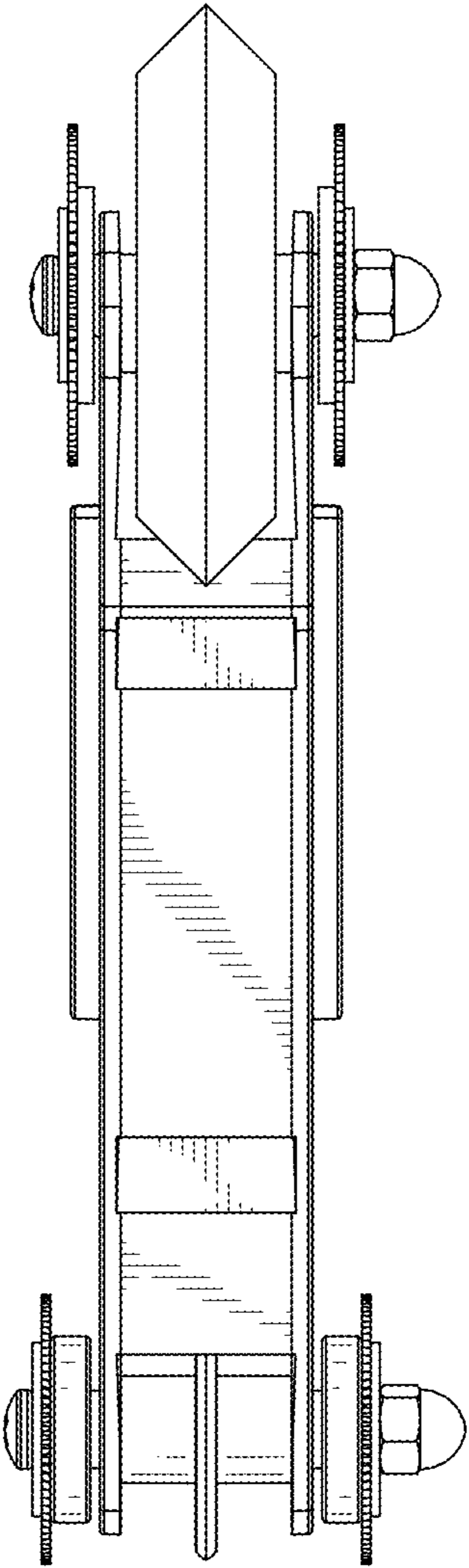


FIG. 7

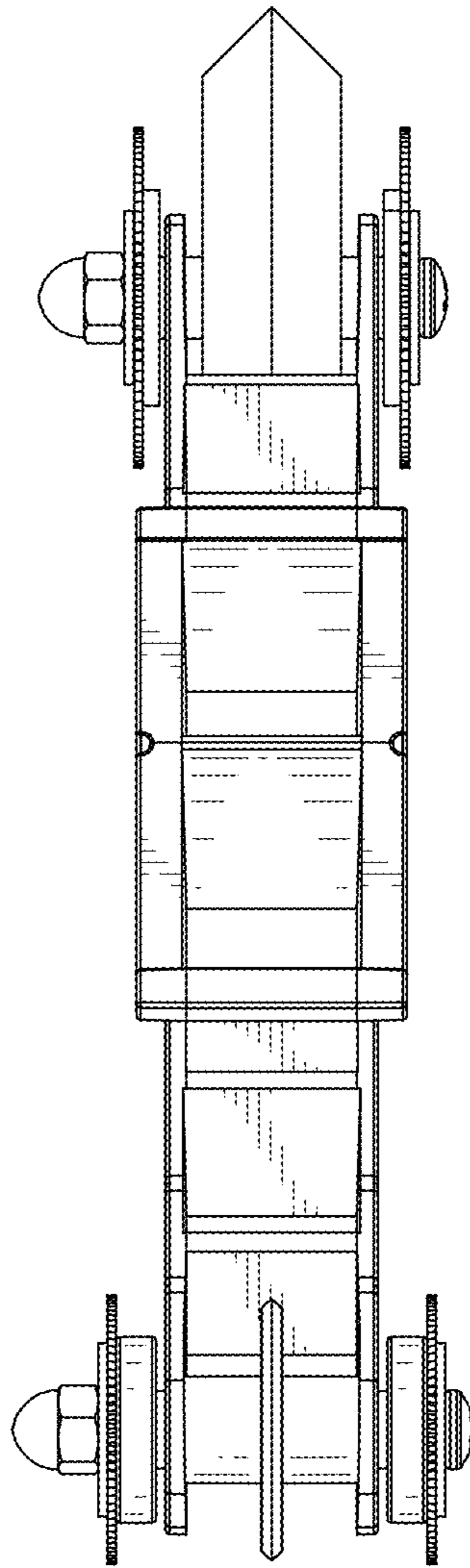


FIG. 8