



US00D974129S

(12) **United States Design Patent**  
**Haskins**

(10) **Patent No.:** **US D974,129 S**  
(45) **Date of Patent:** **\*\* Jan. 3, 2023**

- (54) **LUNCH BAG**
- (71) Applicant: **Real Value LLC**, Norman, OK (US)
- (72) Inventor: **Nathaniel Haskins**, Oklahoma City, OK (US)
- (73) Assignee: **Real Value LLC**, Moore, OK (US)
- (\*\*) Term: **15 Years**
- (21) Appl. No.: **29/706,386**
- (22) Filed: **Sep. 19, 2019**
- (51) **LOC (14) Cl.** ..... **07-02**
- (52) **U.S. Cl.**  
USPC ..... **D7/709; D7/607**
- (58) **Field of Classification Search**  
USPC ..... D7/601, 602, 605, 607, 701, 703, 705,  
D7/706, 709, 629; D3/201, 232, 233,  
D3/245, 246, 273, 276, 301  
CPC ..... A45C 1/00; A45C 11/20; A45C 2003/007;  
A45C 2003/008; A45C 7/0059; F25D  
2331/80; F25D 2331/804; B65D 30/08  
See application file for complete search history.

- D858,227 S \* 9/2019 Wiles ..... D7/709
- D923,424 S \* 6/2021 Rong ..... D7/607
- D924,945 S \* 7/2021 Sullivan ..... D15/79
- D927,262 S \* 8/2021 Munie ..... D7/607
- 2007/0261977 A1\* 11/2007 Sakai ..... A01K 97/06  
206/315.11
- 2016/0101924 A1\* 4/2016 Mitchell ..... B65D 43/16  
220/592.2
- 2019/0170422 A1\* 6/2019 Dexter ..... F25D 31/002

\* cited by examiner

*Primary Examiner* — Andrew Kerr

(74) *Attorney, Agent, or Firm* — Hall Estill Law Firm

(56) **References Cited**

U.S. PATENT DOCUMENTS

- D325,675 S \* 4/1992 Lui-Tan ..... D3/285
- D343,992 S \* 2/1994 Melk ..... D7/607
- D764,791 S \* 8/2016 Patel ..... D3/232
- D829,244 S \* 9/2018 Sullivan ..... D15/79
- D842,048 S \* 3/2019 Wells ..... D7/607

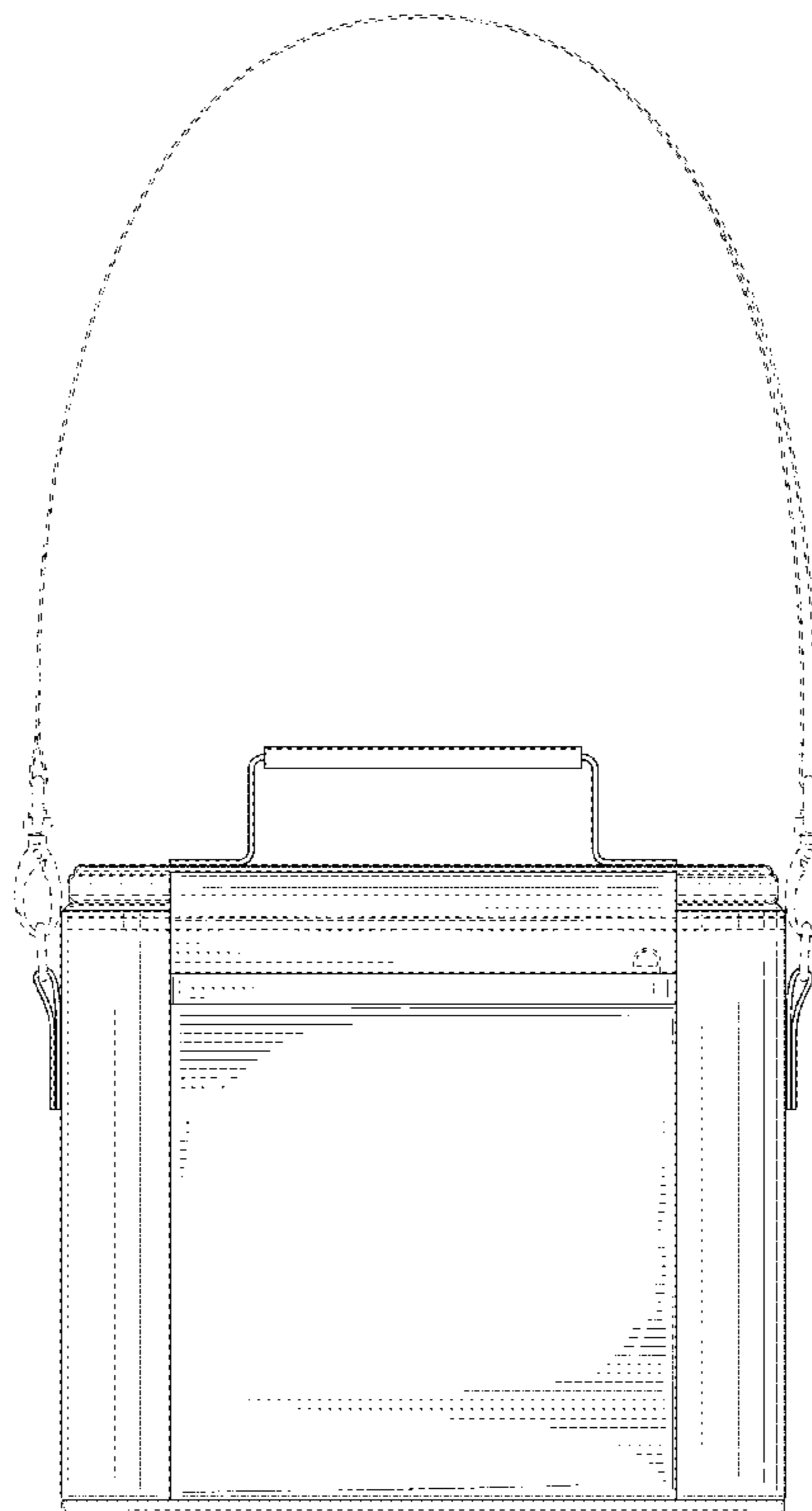
(57) **CLAIM**

The ornamental design for a lunch bag, as shown and described.

**DESCRIPTION**

FIG. 1 is a back view of a lunch bag, showing my new design.  
 FIG. 2 is a front view of the lunch bag of FIG. 1.  
 FIG. 3 is a left side view of the lunch bag of FIG. 1.  
 FIG. 4 is a right side view of the lunch bag of FIG. 1.  
 FIG. 5 is a top view of the lunch bag of FIG. 1; and,  
 FIG. 6 is a bottom view of the lunch bag of FIG. 1.  
 The evenly spaced broken lines on the lunch bag in FIGS. 1-4 represent stitching. The remainder of the broken lines in the drawing views depict portions that form no part of the claimed design.

**1 Claim, 6 Drawing Sheets**



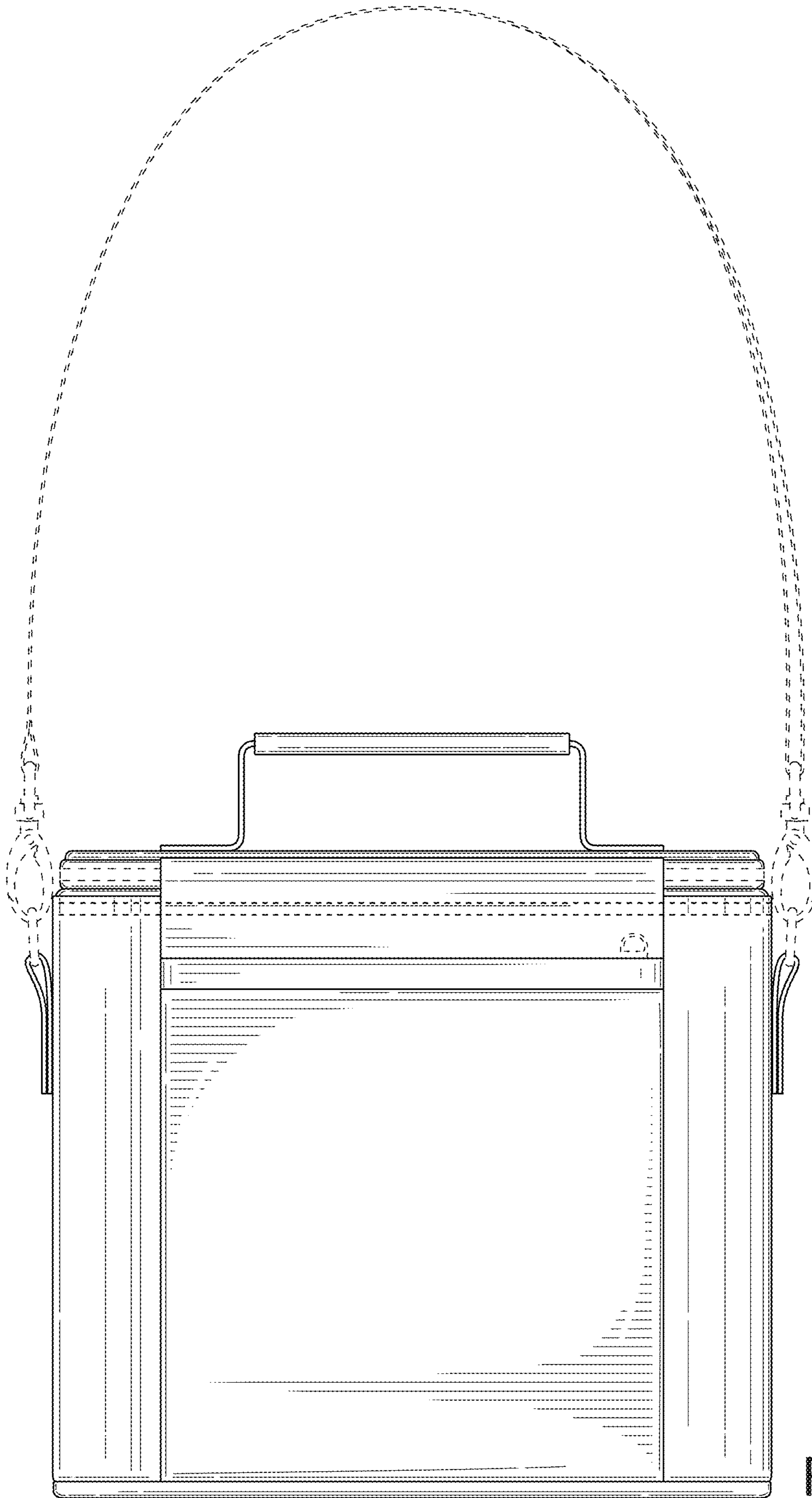


FIG. 1

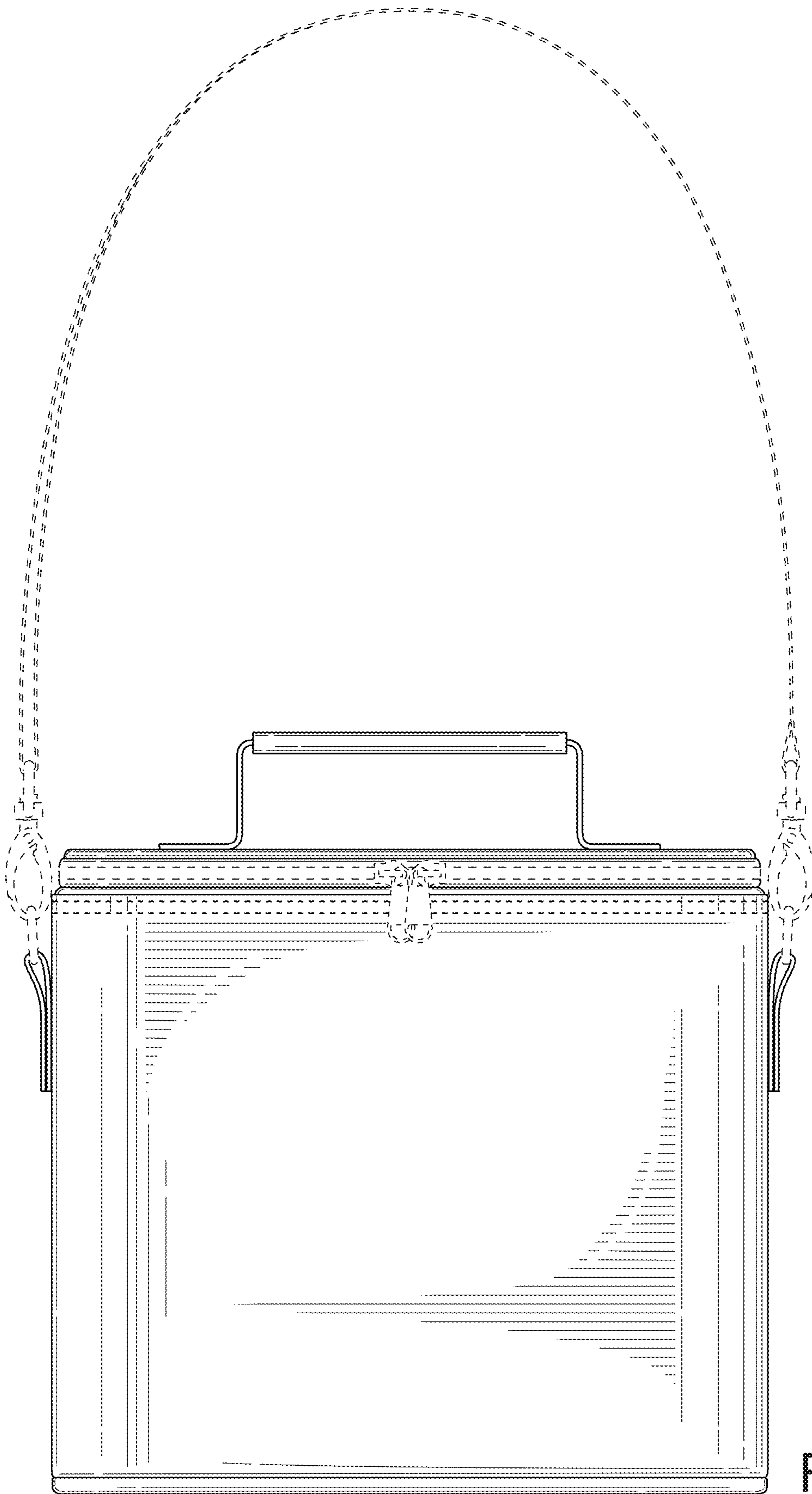


FIG. 2

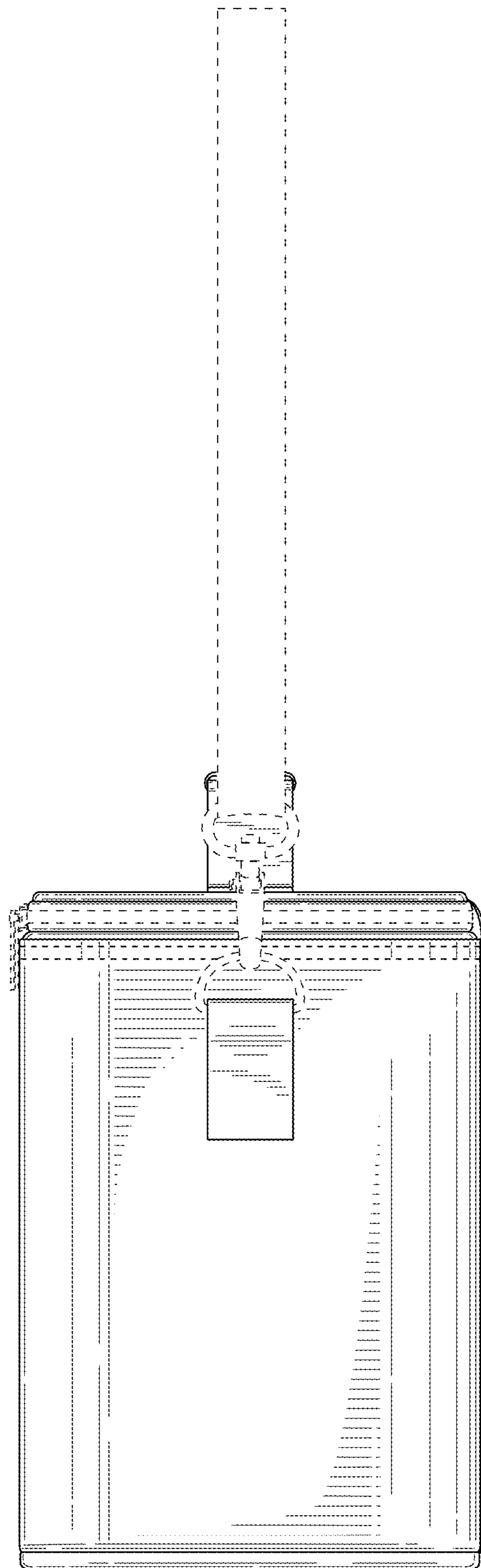


FIG. 3

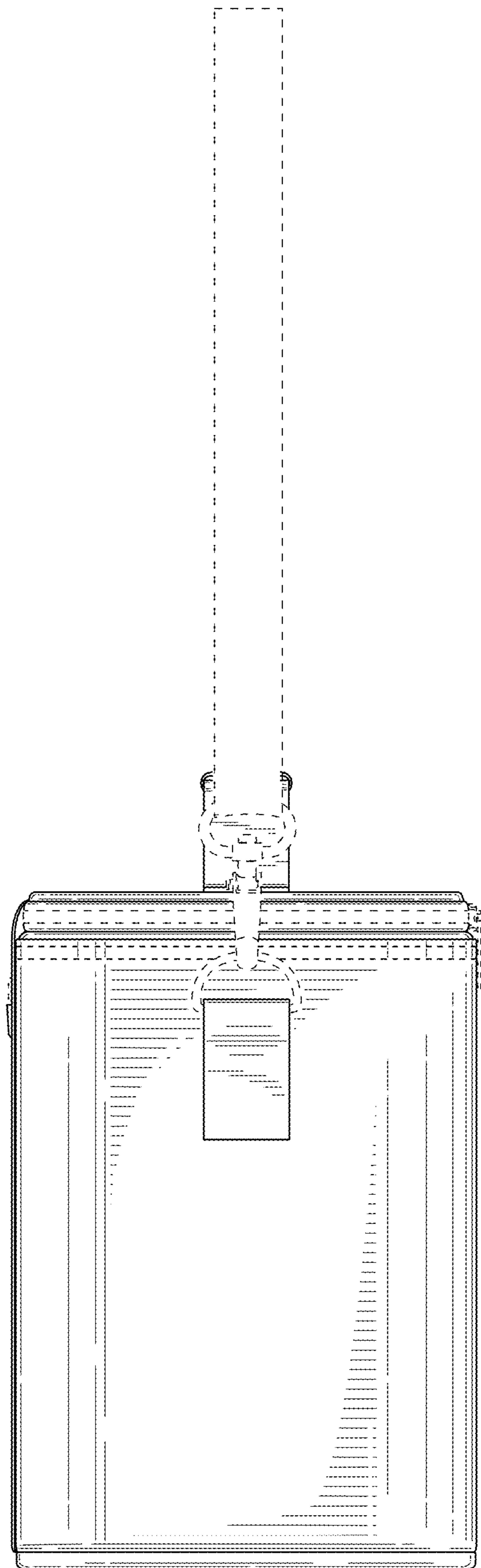


FIG. 4

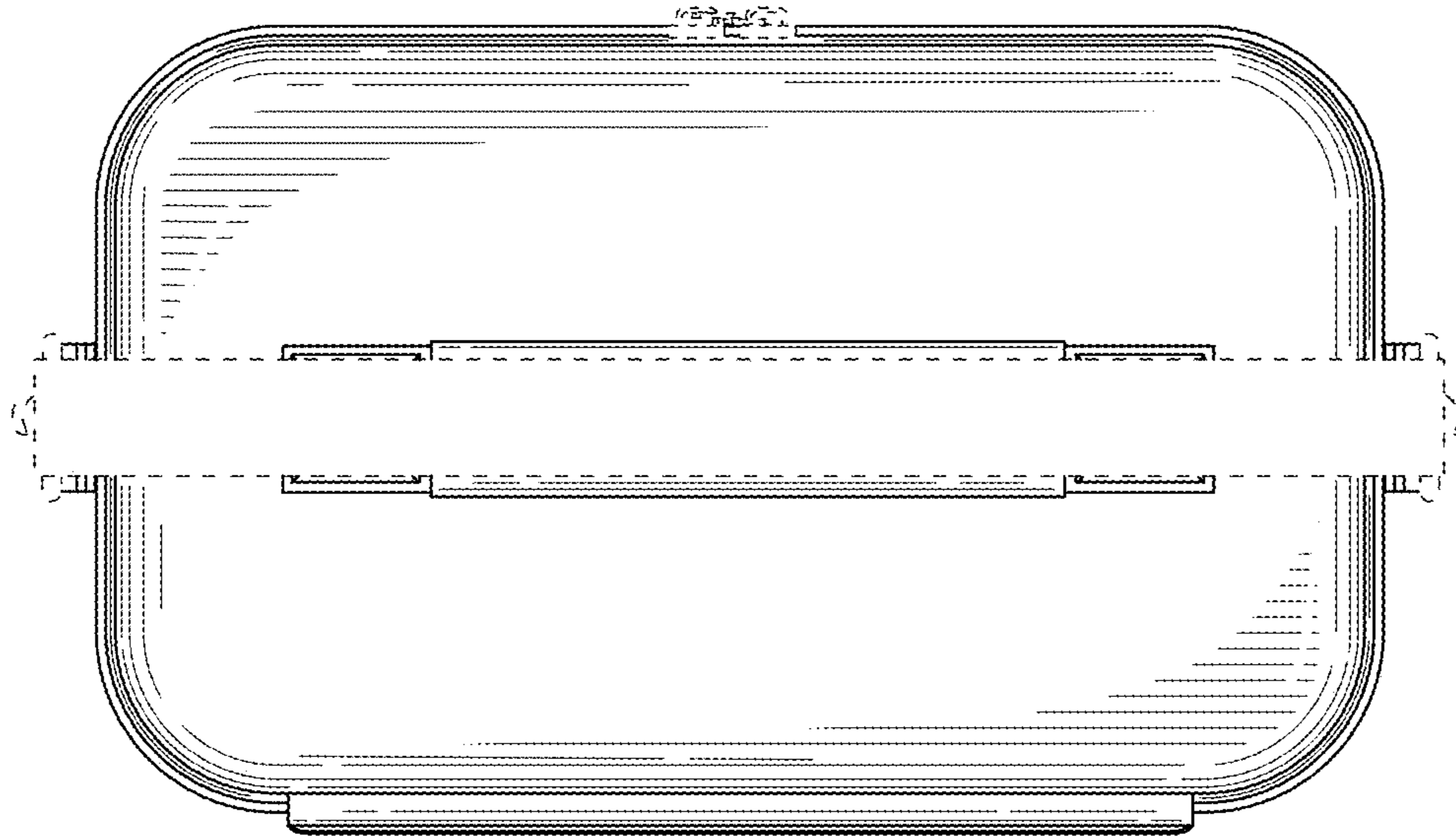


FIG. 5



FIG. 6