



US00D974128S

(12) **United States Design Patent**
Chen

(10) **Patent No.:** **US D974,128 S**

(45) **Date of Patent:** **** Jan. 3, 2023**

(54) **WINE GLASS RACK**

(71) Applicant: **Shangfa Chen**, Sanming (CN)

(72) Inventor: **Shangfa Chen**, Sanming (CN)

(*) Notice: Patent file contains an affidavit/declaration under 37 CFR 1.130(b).

(**) Term: **15 Years**

(21) Appl. No.: **29/830,983**

(22) Filed: **Mar. 16, 2022**

(51) **LOC (14) Cl.** **06-04**

(52) **U.S. Cl.**
USPC **D7/701**

(58) **Field of Classification Search**

USPC D7/701-708, 600.1-600.4; D6/553, 555, D6/566, 567, 572, 574
CPC A47B 73/00; A47B 73/002; A47B 73/004; A47B 73/006; A47B 73/008; A47B 81/04
See application file for complete search history.

(56) **References Cited**

U.S. PATENT DOCUMENTS

D303,744 S	*	10/1989	Turner	D6/559
D503,303 S	*	3/2005	Yorek	D6/574
D547,138 S	*	7/2007	Goodman	D7/704
D686,846 S	*	7/2013	Kozak	D6/566
D887,796 S		6/2020	Chiang		

OTHER PUBLICATIONS

Amazon.com, Soduku Inc, Wall Mounted Rustic Wood Wine Rack, ASIN: B07BMMHKTG, 12 pages, date first available May 31, 2018 (Year: 2018).*

Amazon.com, Zipada Metal Wall Mounted Wine Holder, ASIN: B09MQ2S5FS, 14 pages, date first available Oct. 31, 2021 (Year: 2021).*

* cited by examiner

Primary Examiner — Terry A Wallace

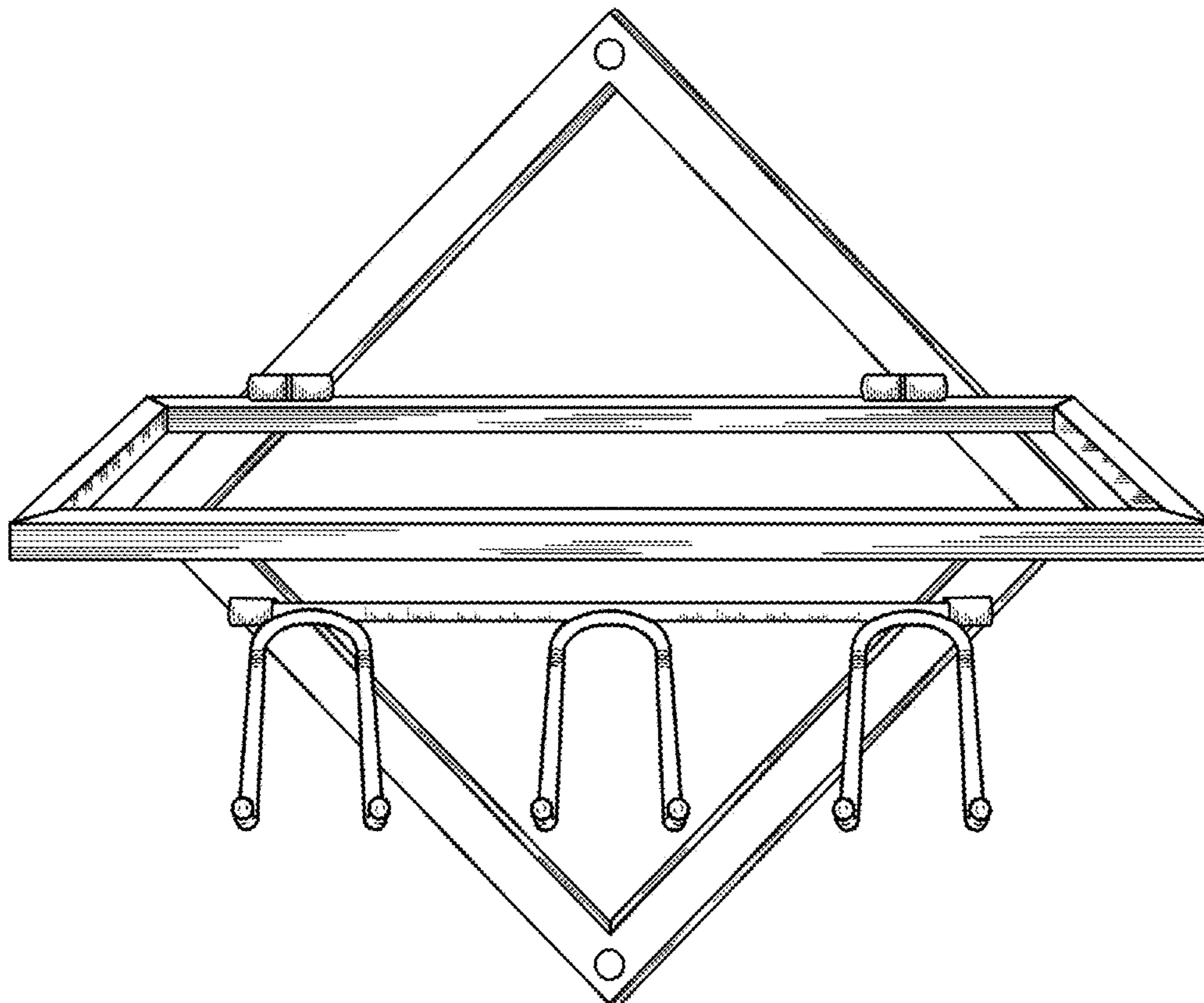
(57) **CLAIM**

I claim the ornamental design for wine glass rack, as shown and described.

DESCRIPTION

FIG. 1 is a front perspective view of wine glass rack, showing my new design;
FIG. 2 is a front perspective view thereof;
FIG. 3 is a front view thereof;
FIG. 4 is a rear view thereof;
FIG. 5 is a left side view thereof;
FIG. 6 is a right side view thereof;
FIG. 7 is a top view thereof;
FIG. 8 is a bottom view thereof; and,
FIG. 9 is a plan view of its folded state.

1 Claim, 9 Drawing Sheets



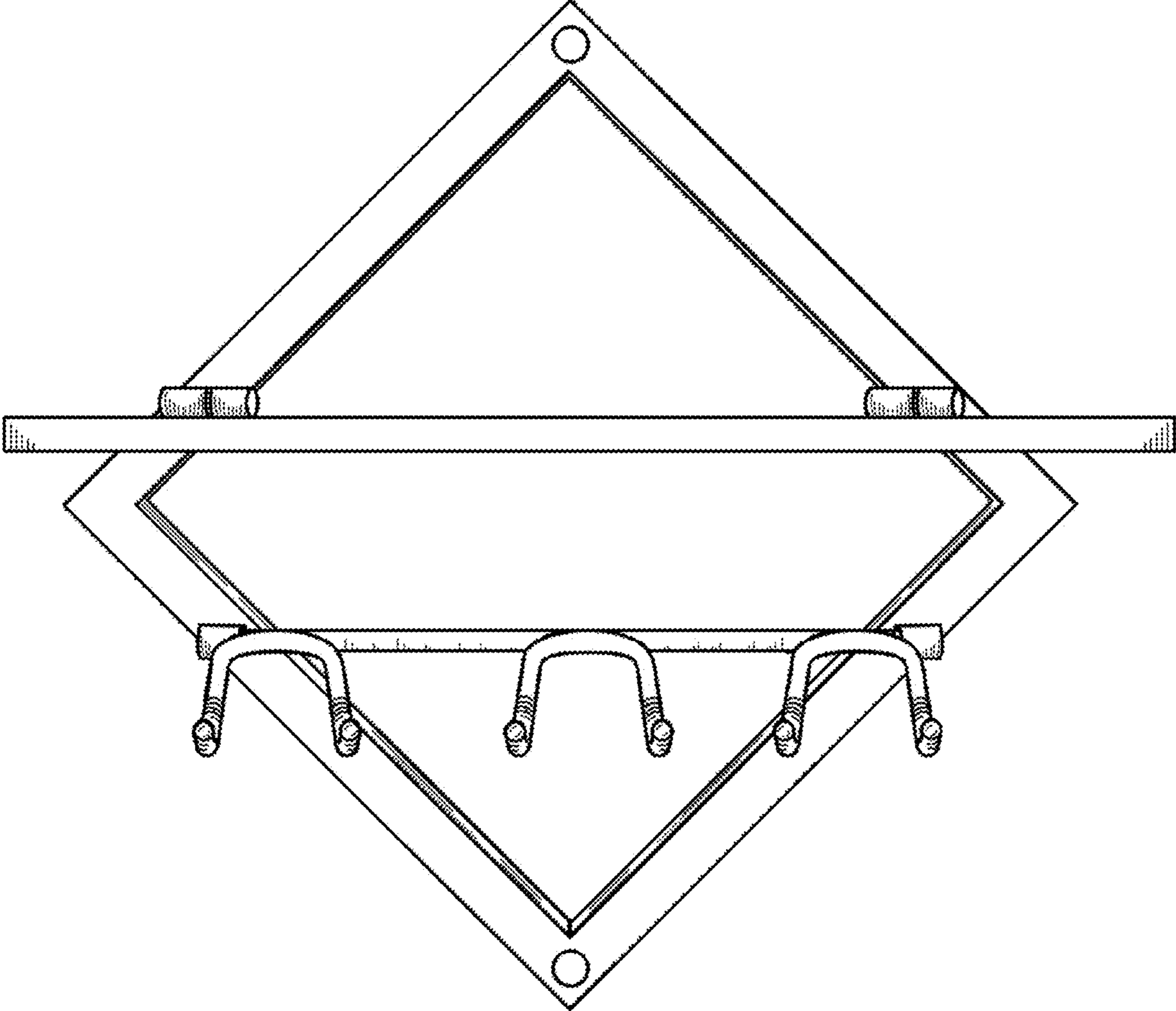


FIG. 1

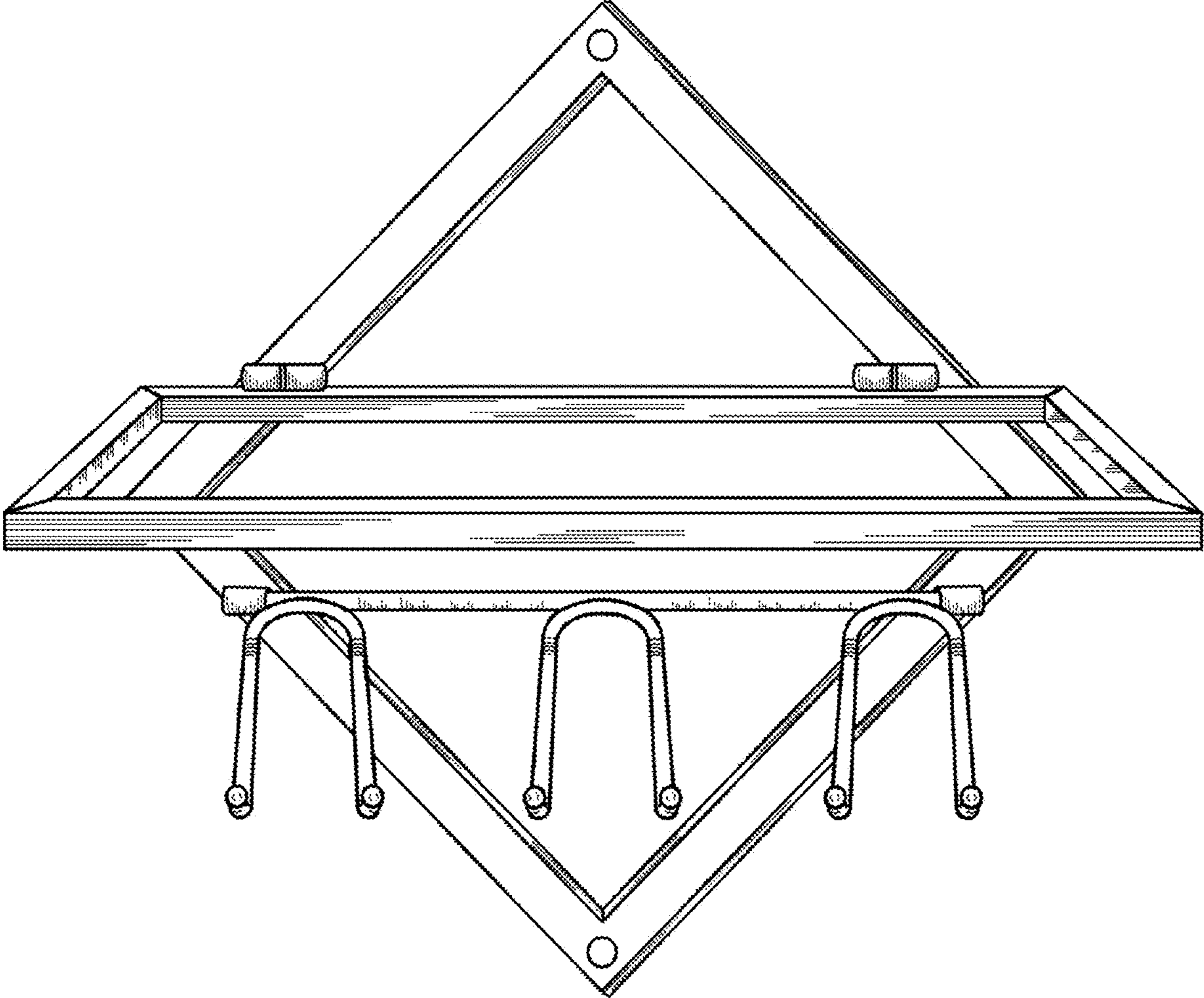


FIG. 2

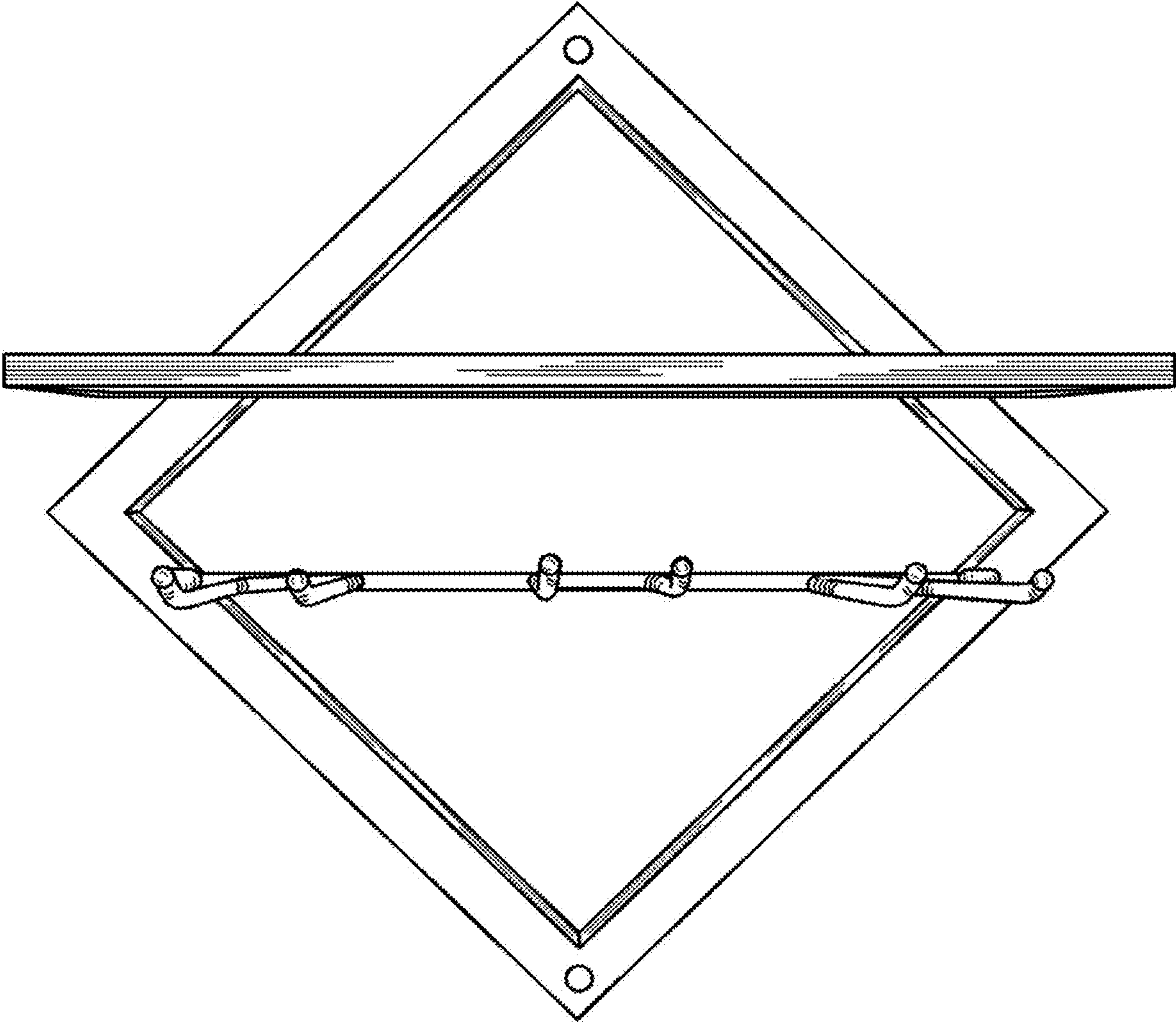


FIG. 3

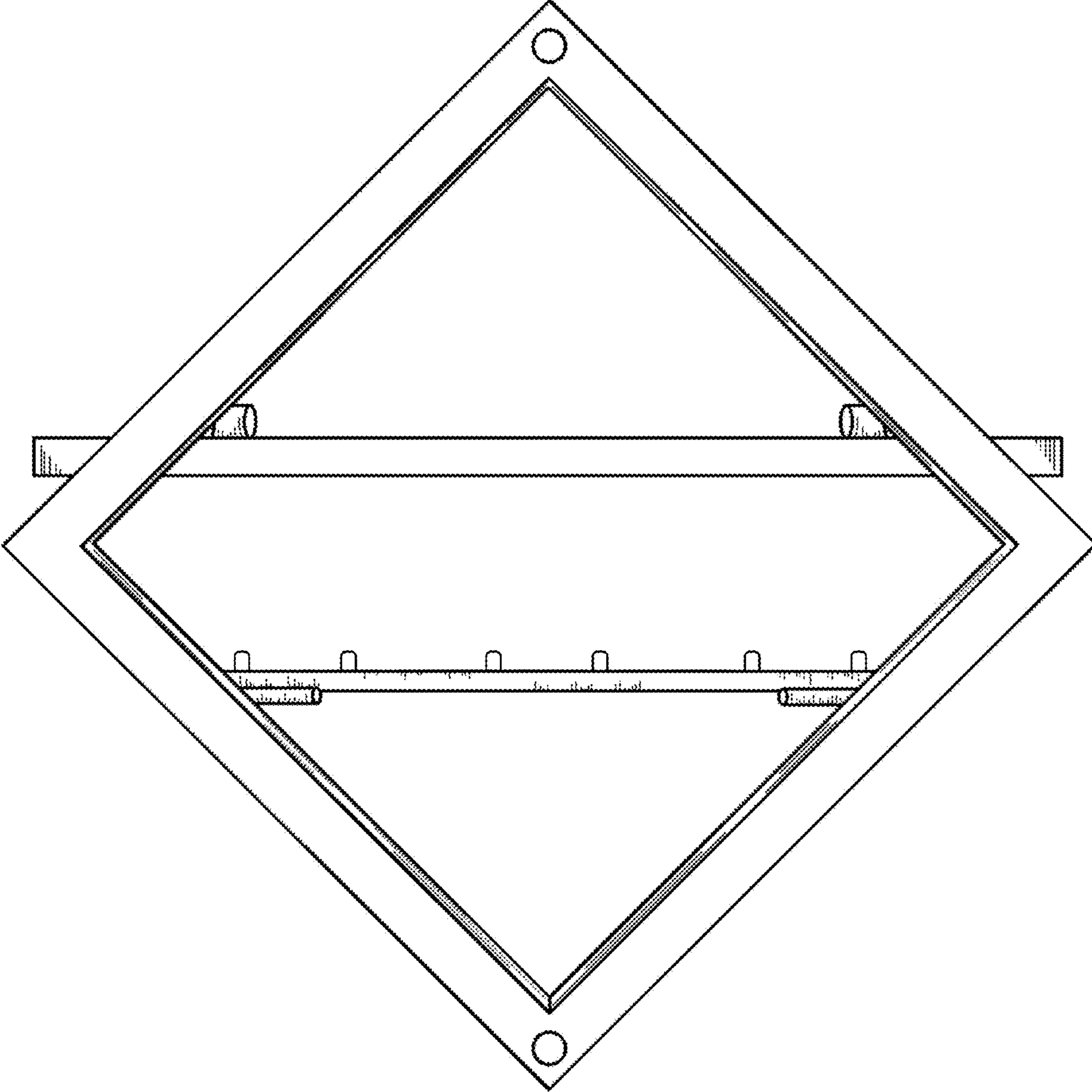


FIG. 4

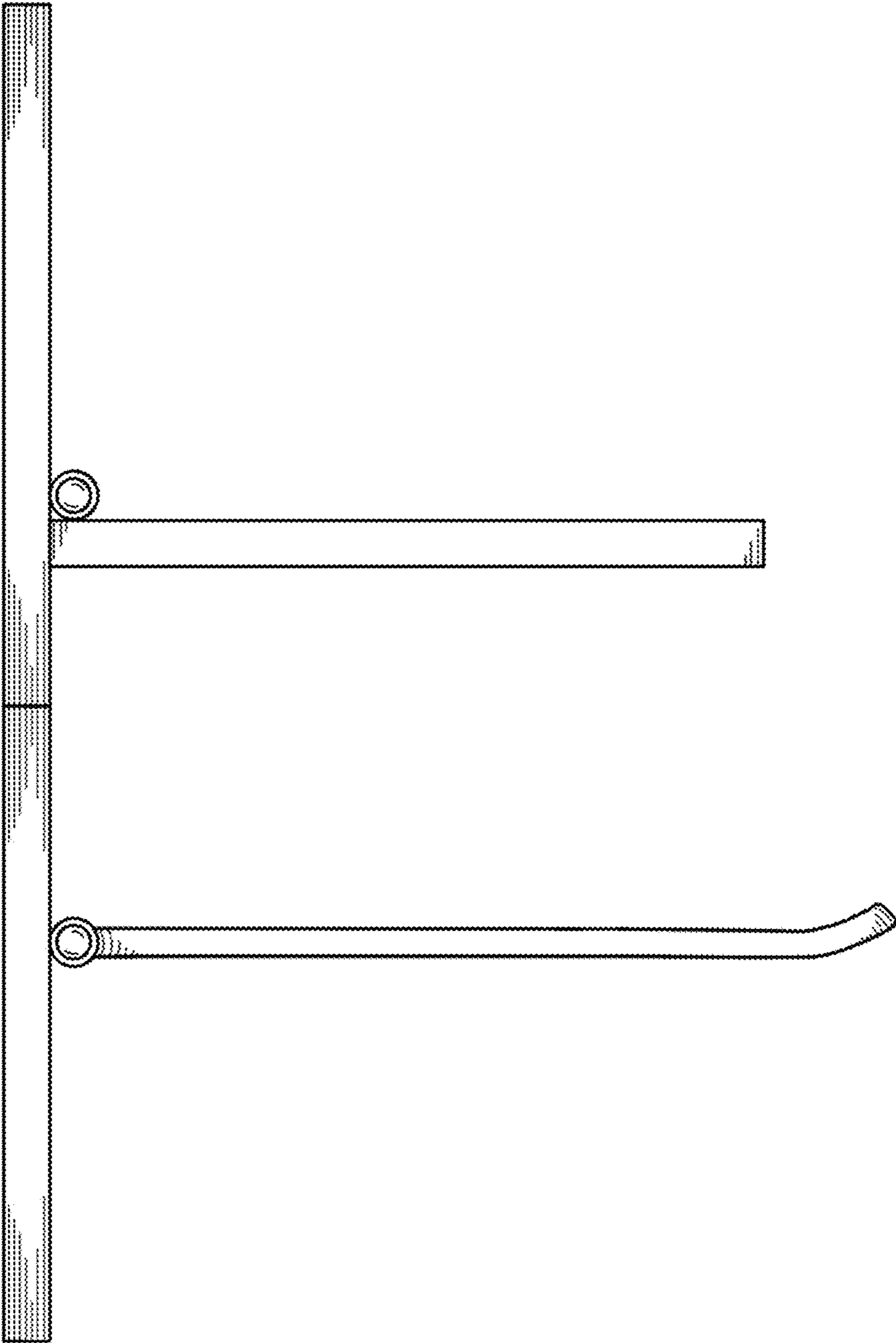


FIG. 5

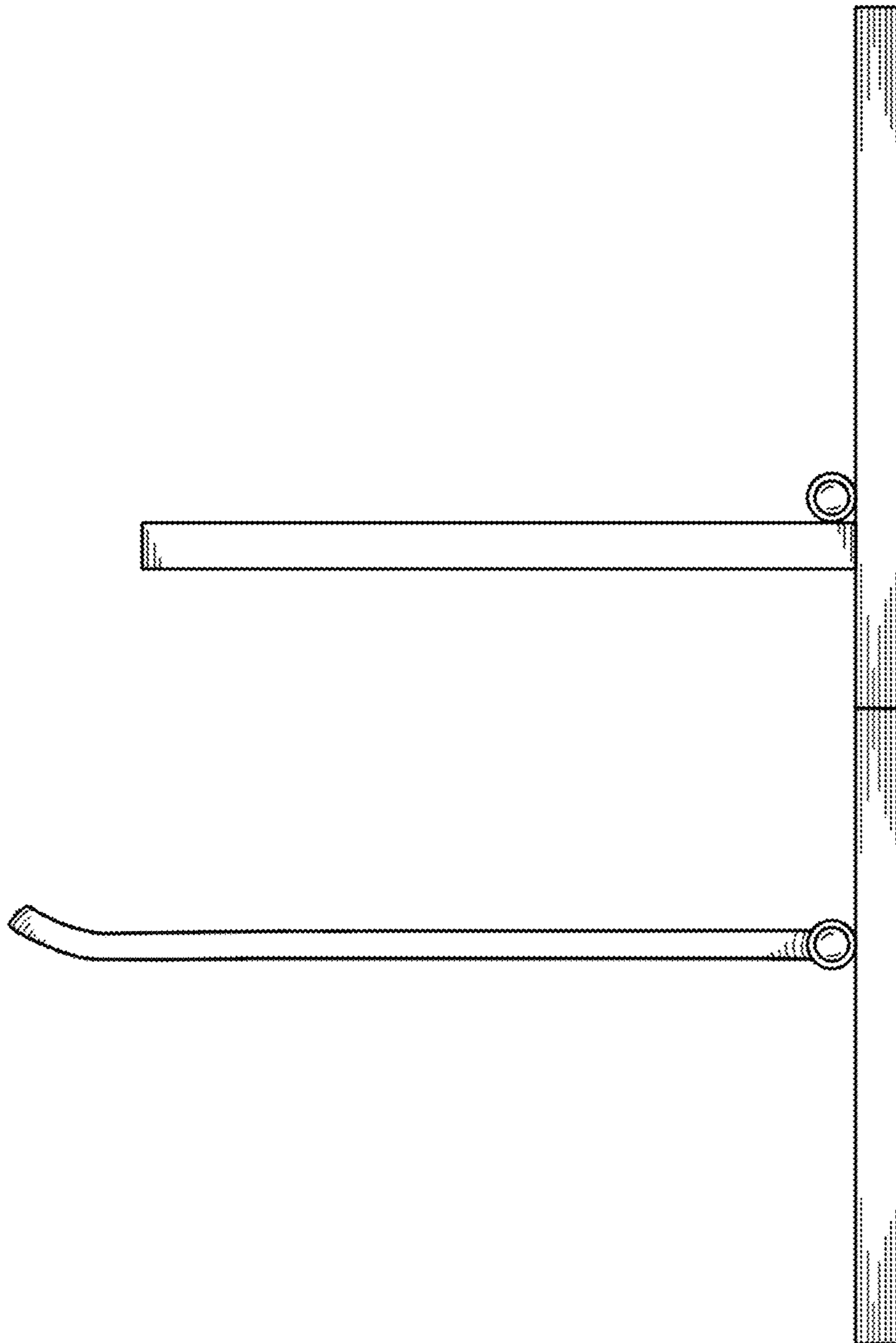


FIG. 6

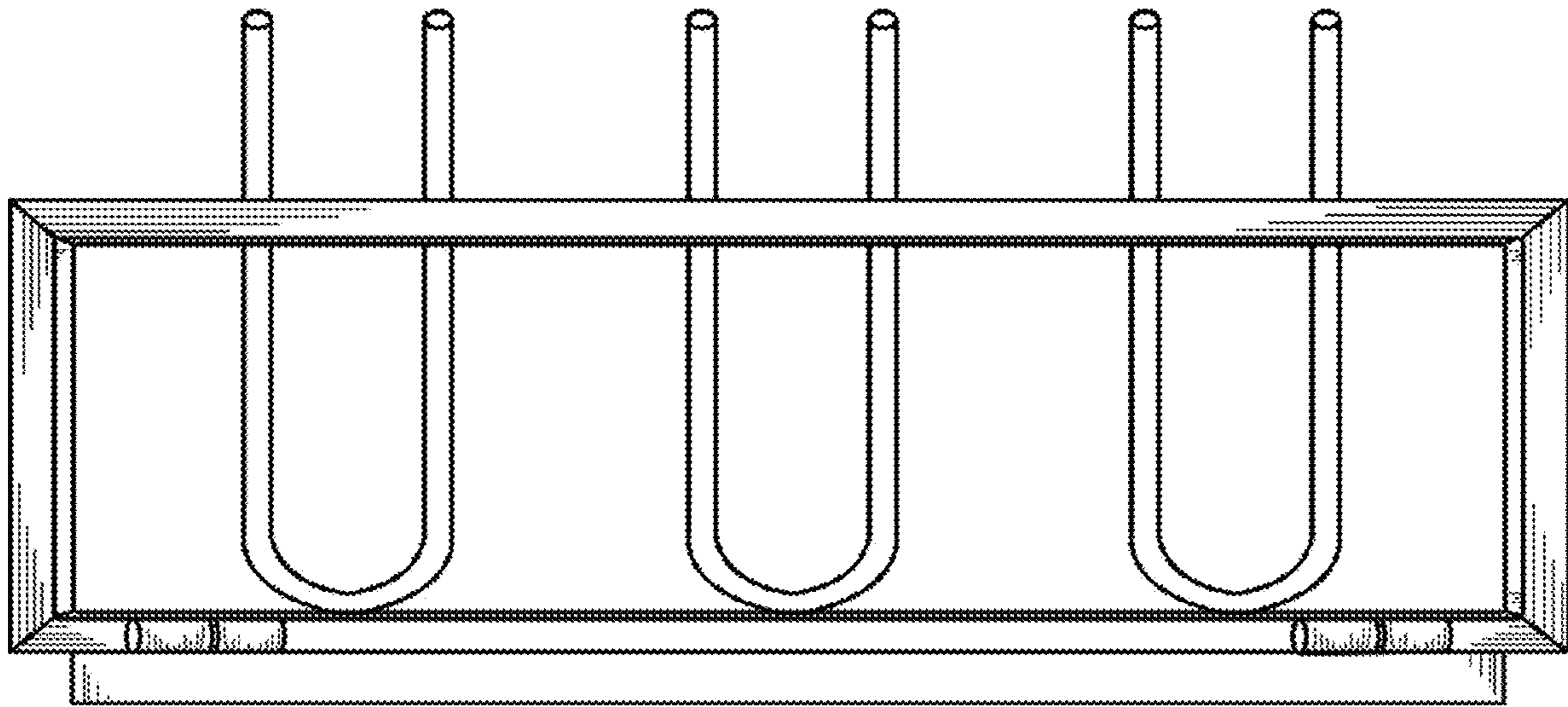


FIG. 7

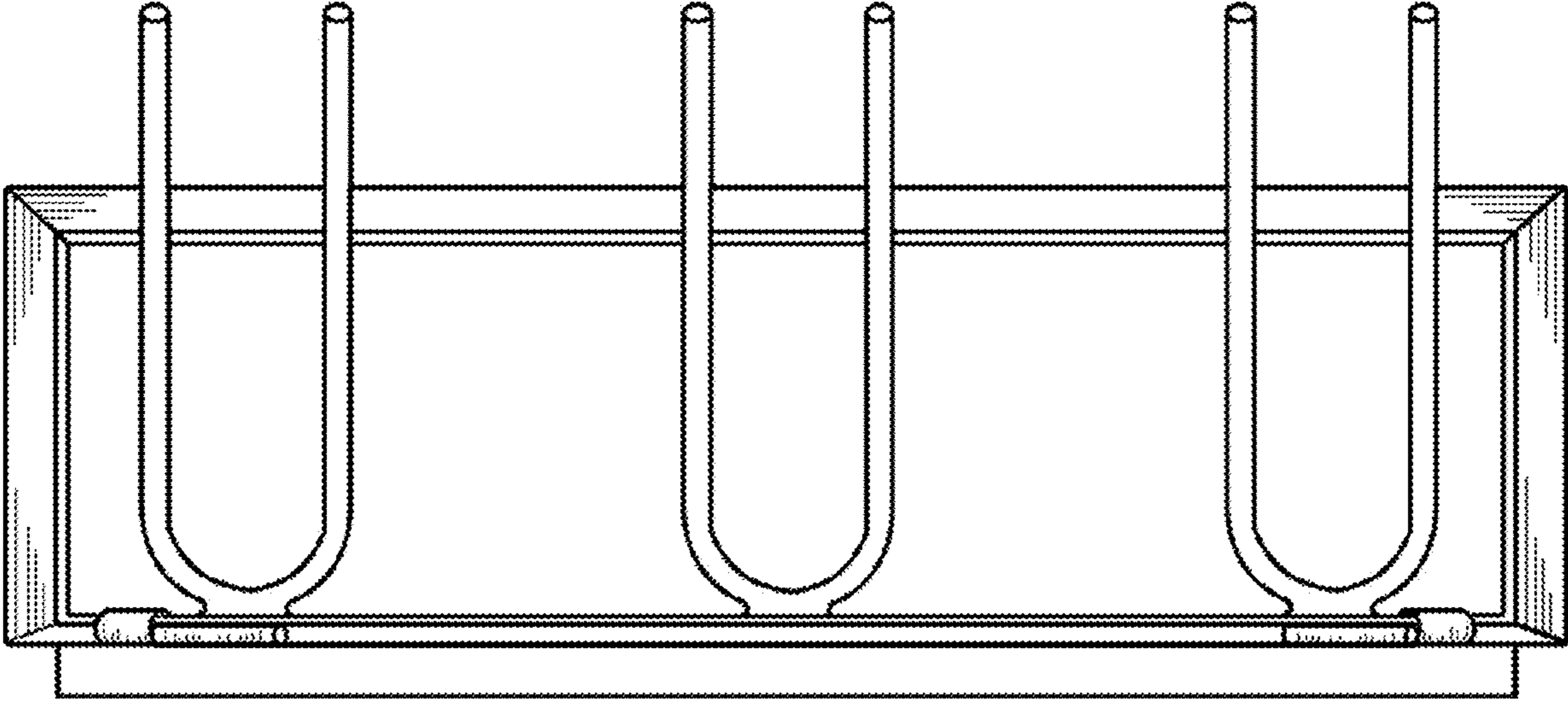


FIG. 8

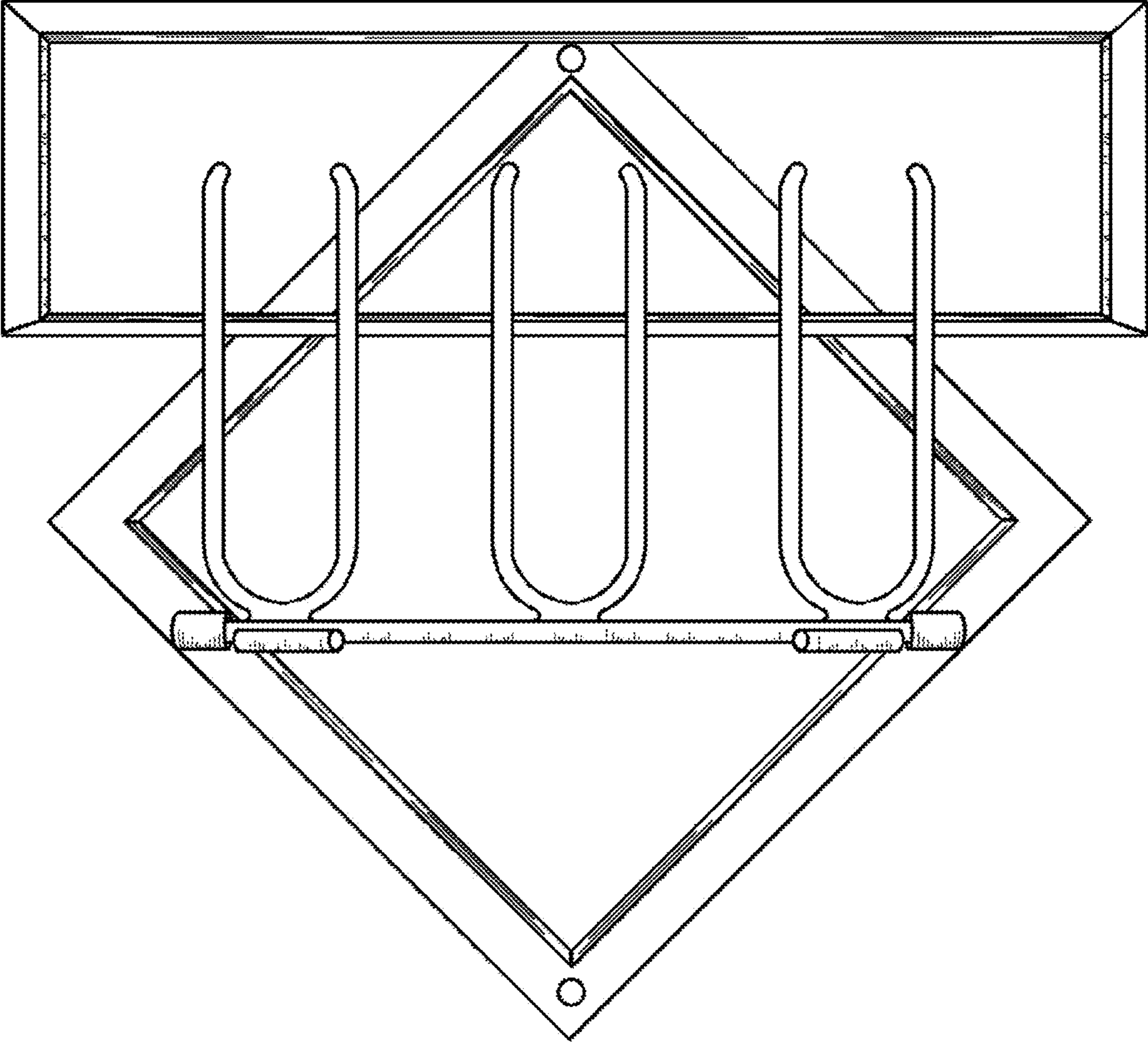


FIG. 9