



US00D974125S

(12) **United States Design Patent** (10) **Patent No.:** **US D974,125 S**
Jin (45) **Date of Patent:** **** Jan. 3, 2023**

(54) **JUICER**

FOREIGN PATENT DOCUMENTS

(71) Applicant: **Renhao Jin**, Zhejiang (CN)

GB 6213599 * 6/2022

(72) Inventor: **Renhao Jin**, Zhejiang (CN)

IN 241377-0001 * 8/2012

MY 14-531-0101-0001 * 4/2014

(**) Term: **15 Years**

OTHER PUBLICATIONS

(21) Appl. No.: **29/842,735**

Lurch Germany Meat Mincer, posted at Amazon.com on Sep. 14, 2017, [site visited Oct. 20, 2022]. Available from internet, URL: <<https://www.amazon.com/Lurch-Germany-Base-Mincer-White/dp/B06XS1C83N/>> (Year: 2017).*

(22) Filed: **Jun. 15, 2022**

(30) **Foreign Application Priority Data**

Jan. 18, 2022 (CN) 202230032237.3

Primary Examiner — Andrew Kerr

Assistant Examiner — Chariton Alexakis

(51) **LOC (14) Cl.** **07-04**

(52) **U.S. Cl.**
USPC **D7/665**

(57) **CLAIM**

The ornamental design for a juicer, as shown and described.

(58) **Field of Classification Search**
USPC D7/370, 372, 373, 374, 376, 378, 381,
D7/382, 384, 386, 412, 414, 665, 666,
D7/667, 668, 682; D15/123
CPC A47J 19/00; A47J 19/02; A47J 19/023;
A47J 19/025; A47J 19/027; A47J 19/06;
A47J 43/0727; A47J 43/0794; A47J
43/042; A47J 2043/04454; A23N 1/00;
A23N 1/003; A23N 1/02
See application file for complete search history.

DESCRIPTION

FIG. 1 is a front and top perspective view of a juicer, showing my new design;
FIG. 2 is a rear and bottom perspective view thereof;
FIG. 3 is a front elevation view thereof;
FIG. 4 is a rear elevation view thereof;
FIG. 5 is a left side elevation view thereof;
FIG. 6 is a right side elevation view thereof;
FIG. 7 is a top plan view thereof;
FIG. 8 is a bottom plan view thereof;
FIG. 9 is an enlarged view of a portion indicated with numeric 9 in FIG. 2; and,
FIG. 10 is another perspective view thereof, shown in an alternative position.
The dashed lines in the figures illustrate portions of the juicer that form no part of the claimed design. The dash dot dash lines in FIGS. 2 and 9 are for the purpose of depicting, the boundary lines of the enlarged view and form no part of the claimed design.

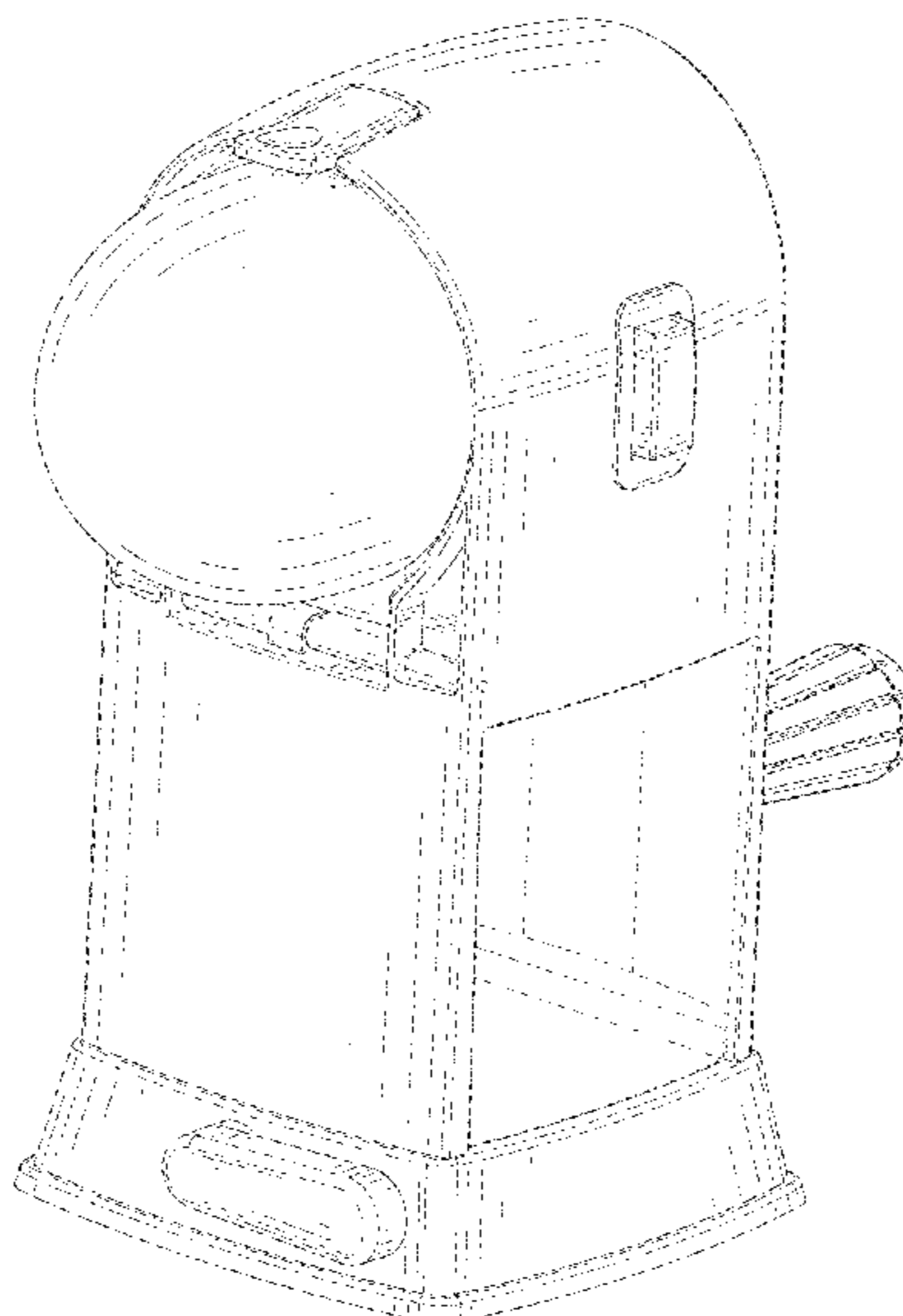
(56) **References Cited**

U.S. PATENT DOCUMENTS

D116,565 S * 9/1939 Majewski D7/374
D176,546 S * 1/1956 Moore D7/374
D206,927 S * 2/1967 Popeil D7/372
D229,815 S * 1/1974 Smith D7/665
D471,059 S * 3/2003 Chuang F25C 5/046
D680,390 S * 4/2013 Dichraff D7/381
D715,094 S * 10/2014 Cornu F25C 5/046
D733,480 S * 7/2015 Shao D7/311
D773,905 S * 12/2016 Dichraff D7/693

(Continued)

1 Claim, 10 Drawing Sheets



(56)

References Cited

U.S. PATENT DOCUMENTS

D850,867 S 6/2019 Lin
D861,414 S * 10/2019 Chen A47J 19/023
D7/384
D941,079 S * 1/2022 Chen A47J 43/255
D7/381
2014/0352558 A1* 12/2014 Wong A47J 43/255
100/98 R
2019/0014939 A1* 1/2019 Berendsen A47J 19/023

* cited by examiner

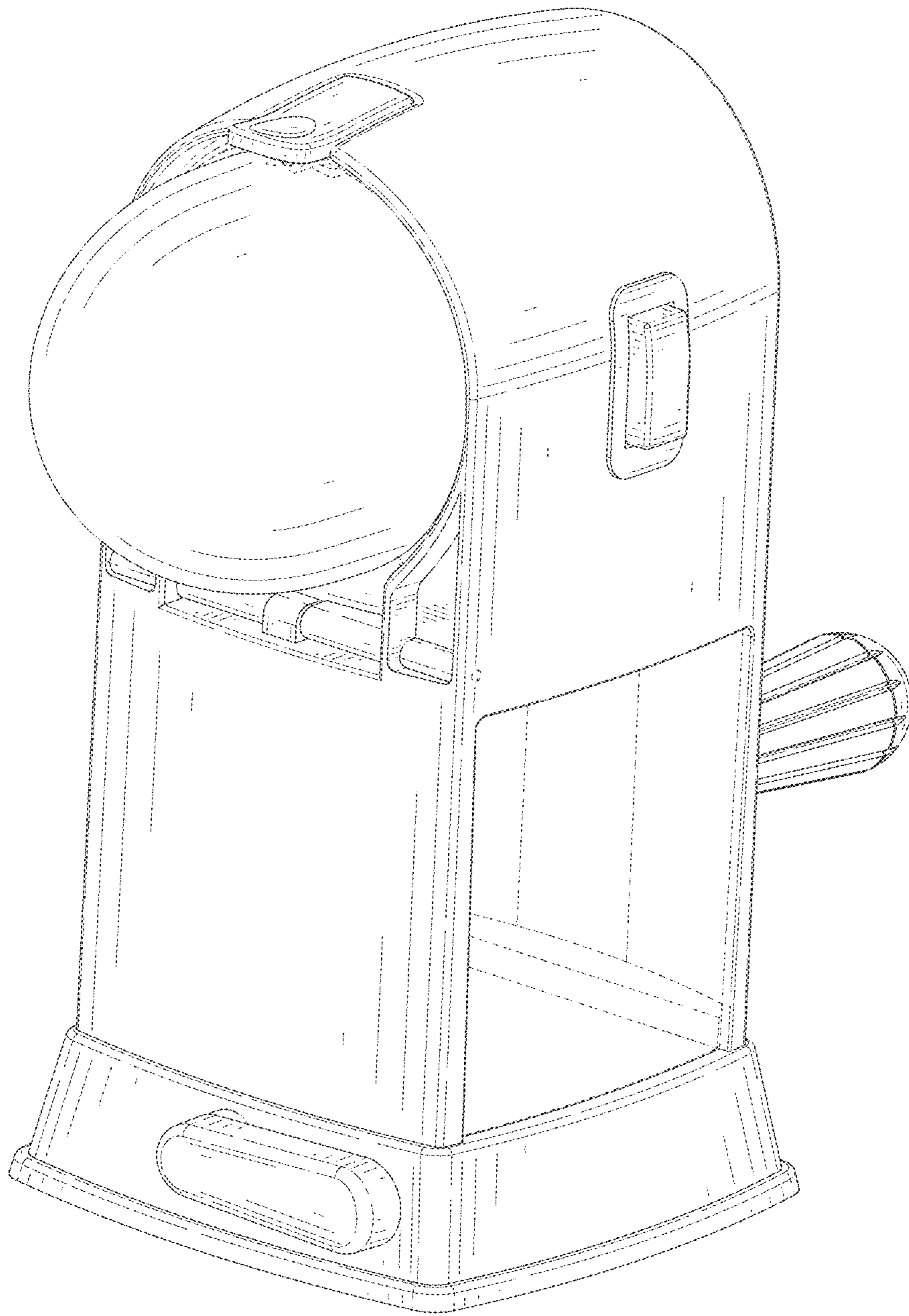


FIG. 1

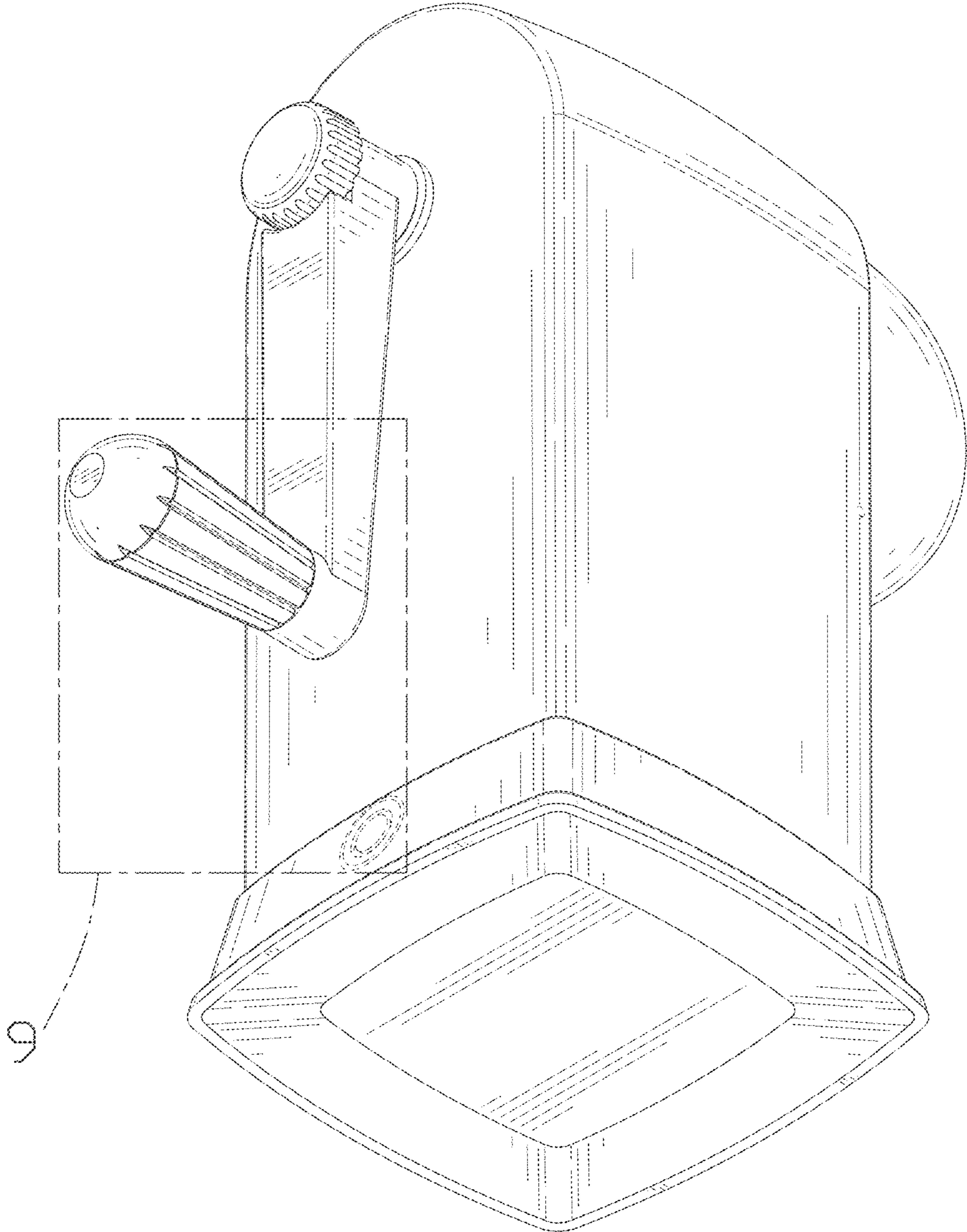


FIG. 2

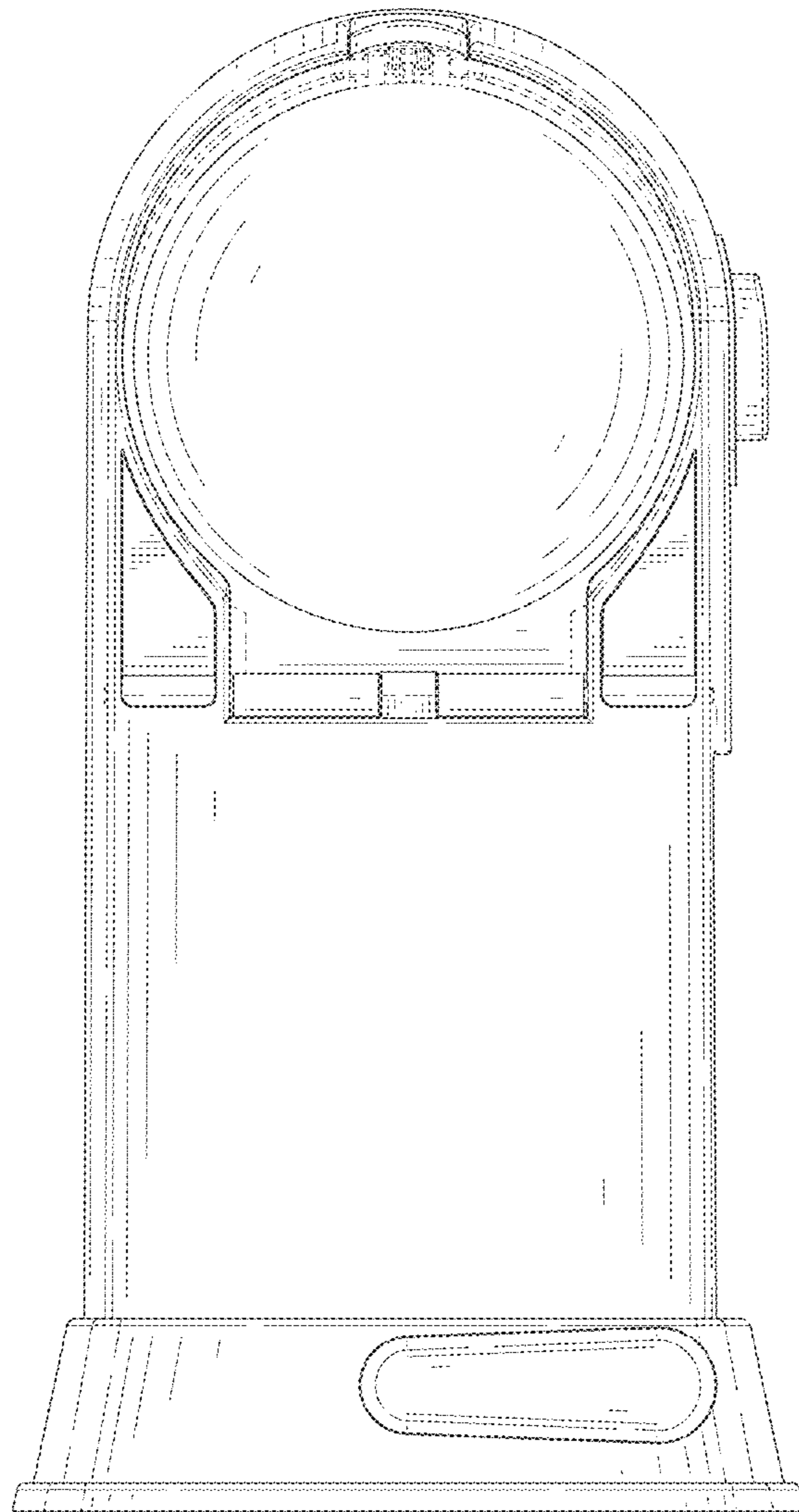


FIG. 3

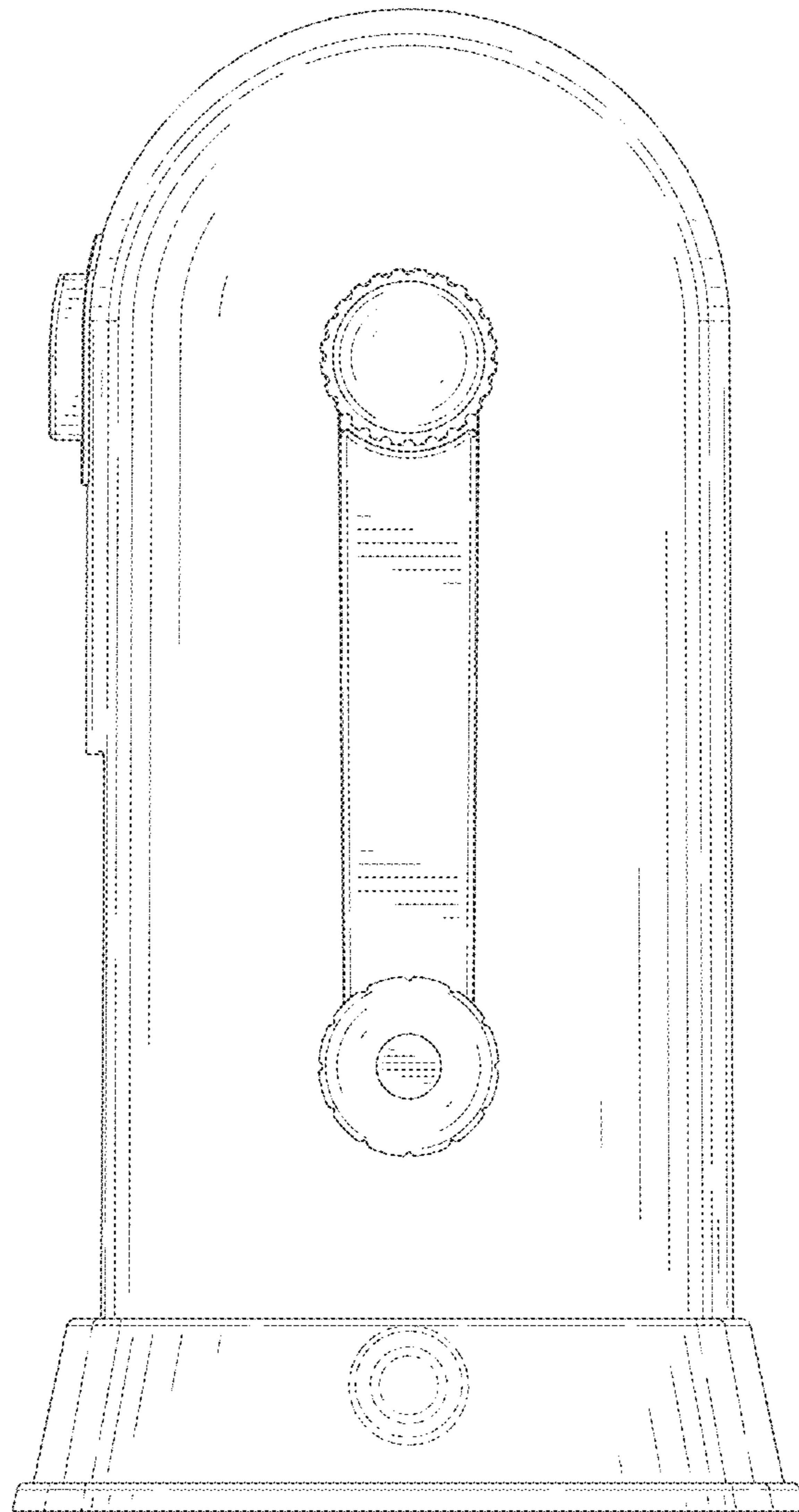


FIG. 4

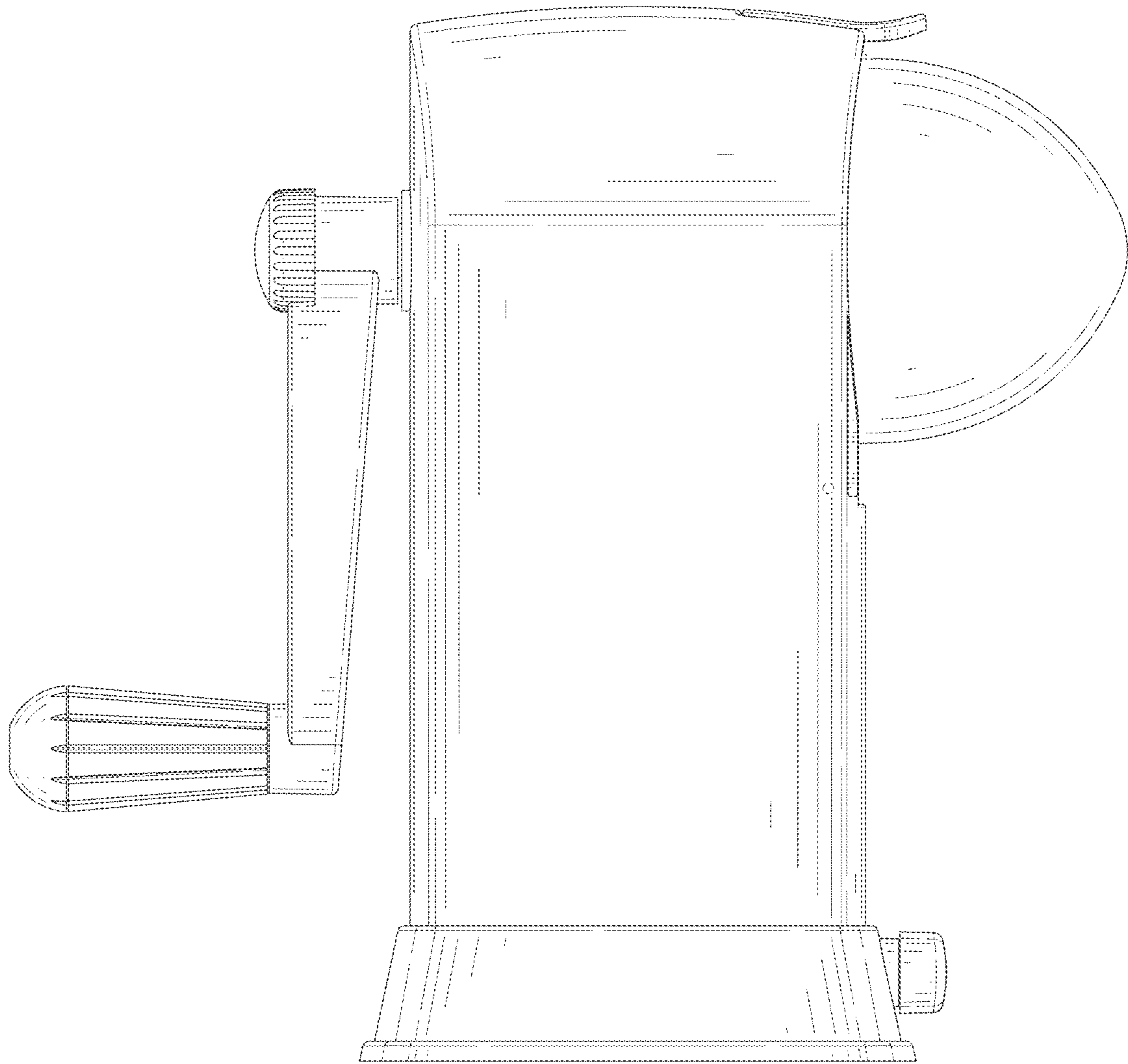


FIG. 5

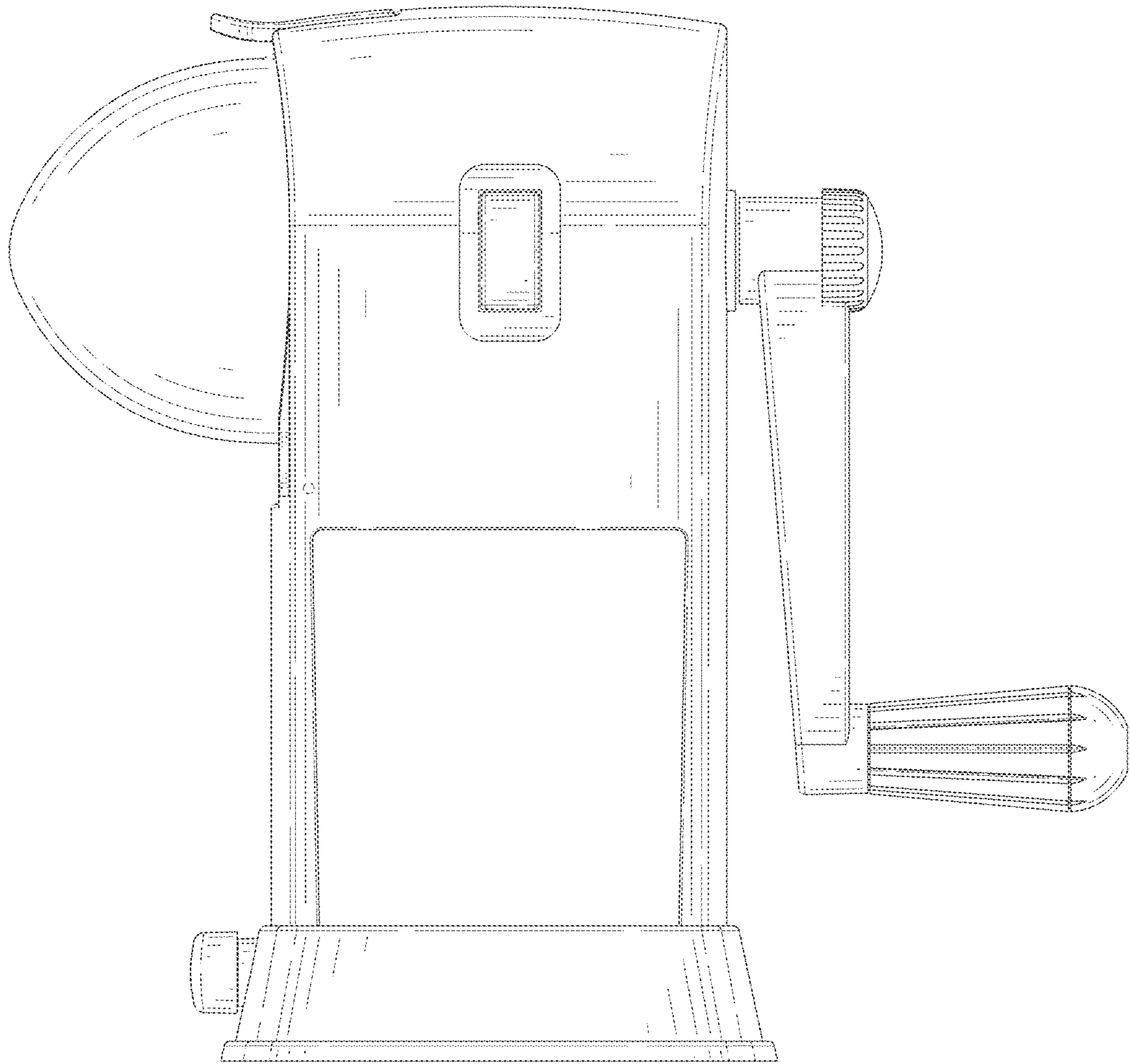


FIG. 6

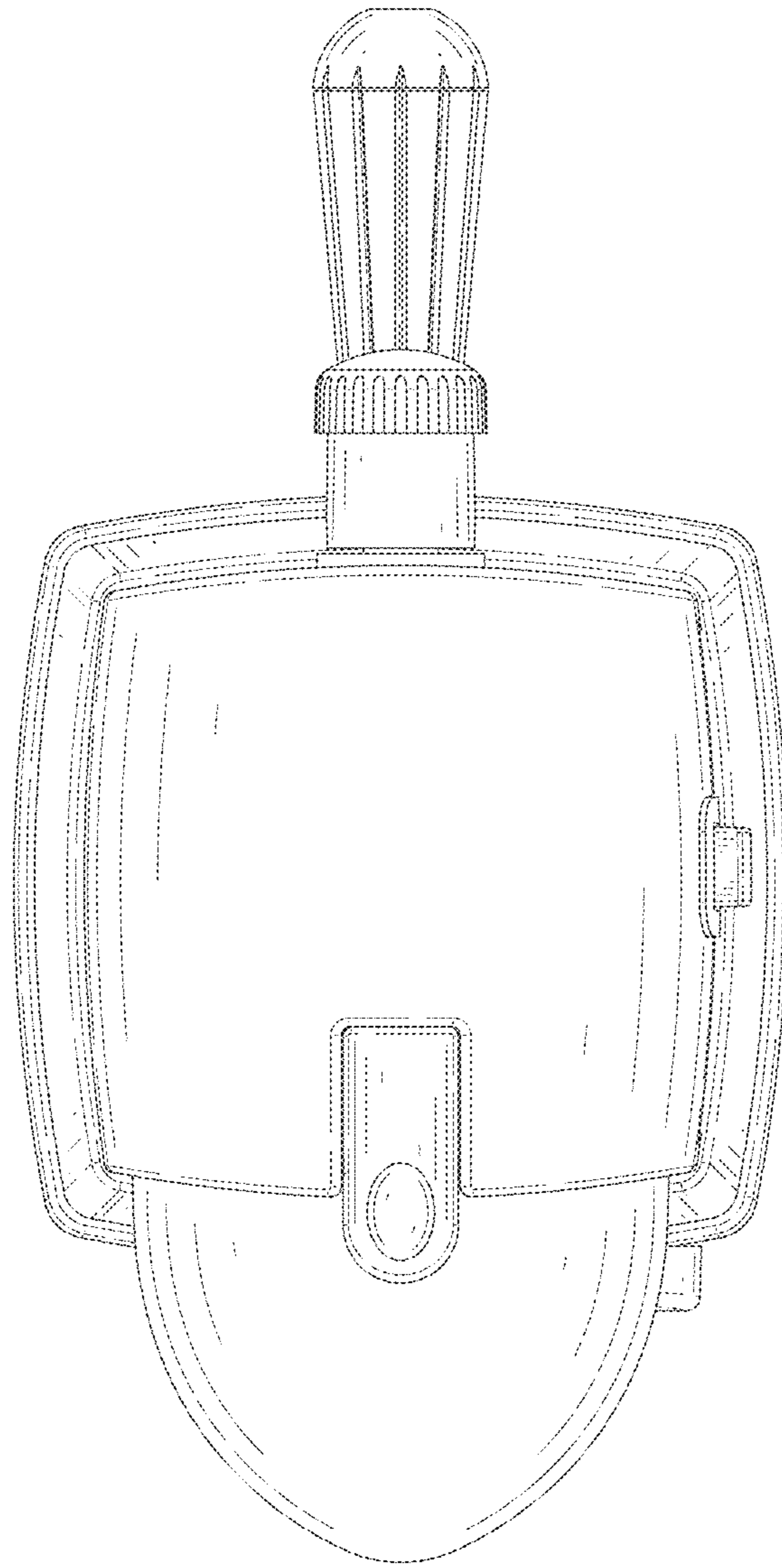


FIG. 7

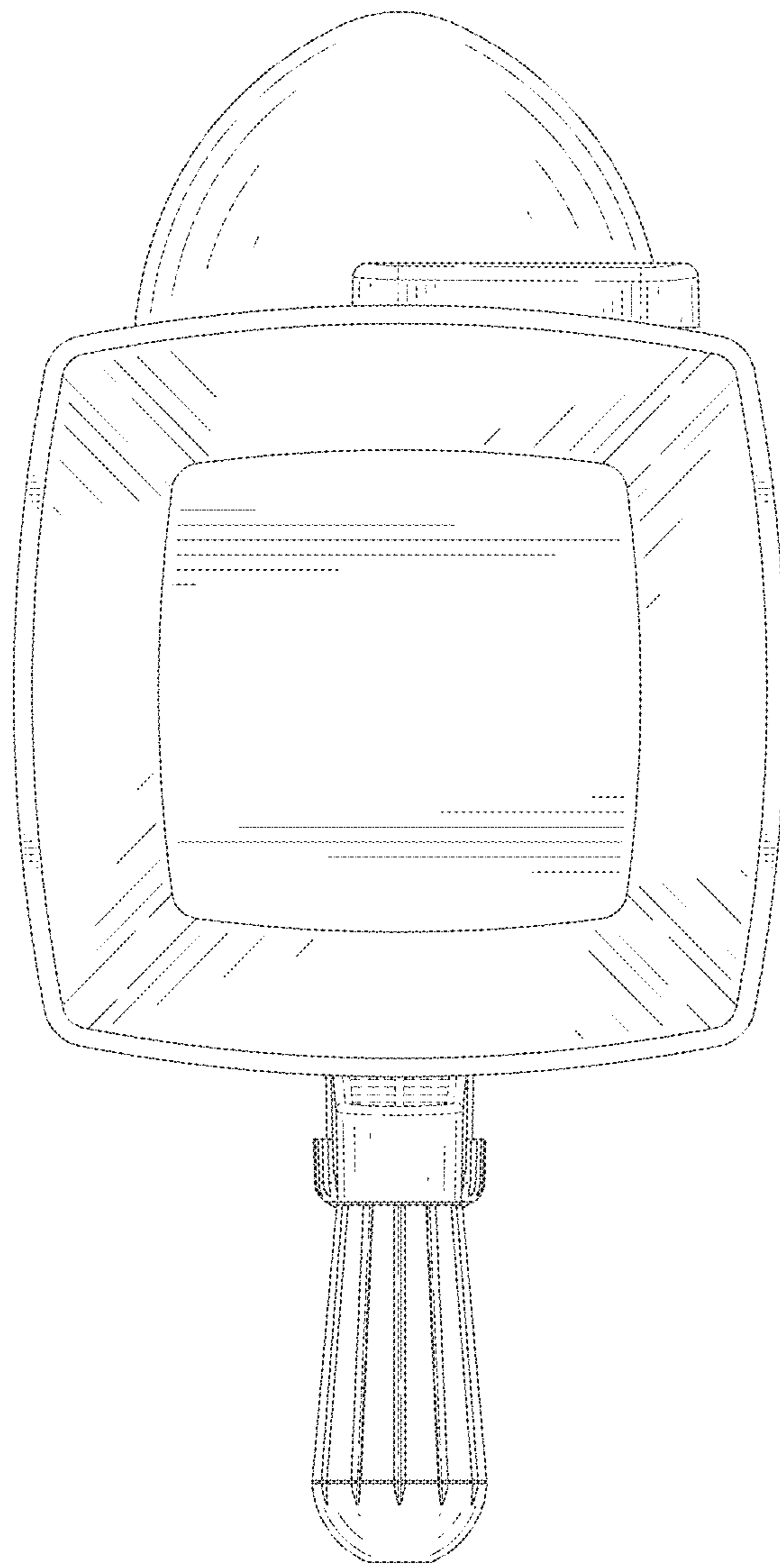


FIG. 8

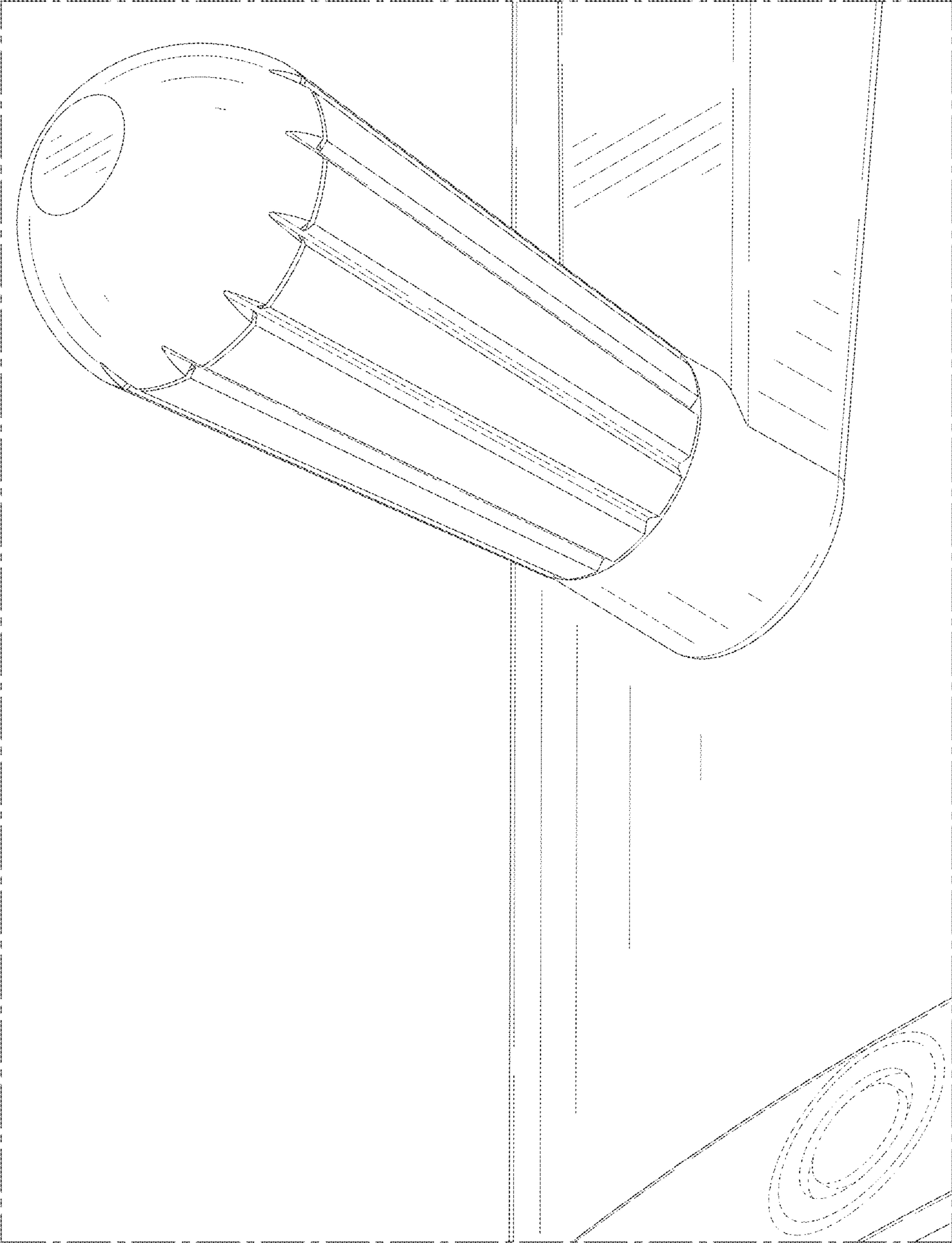


FIG. 9

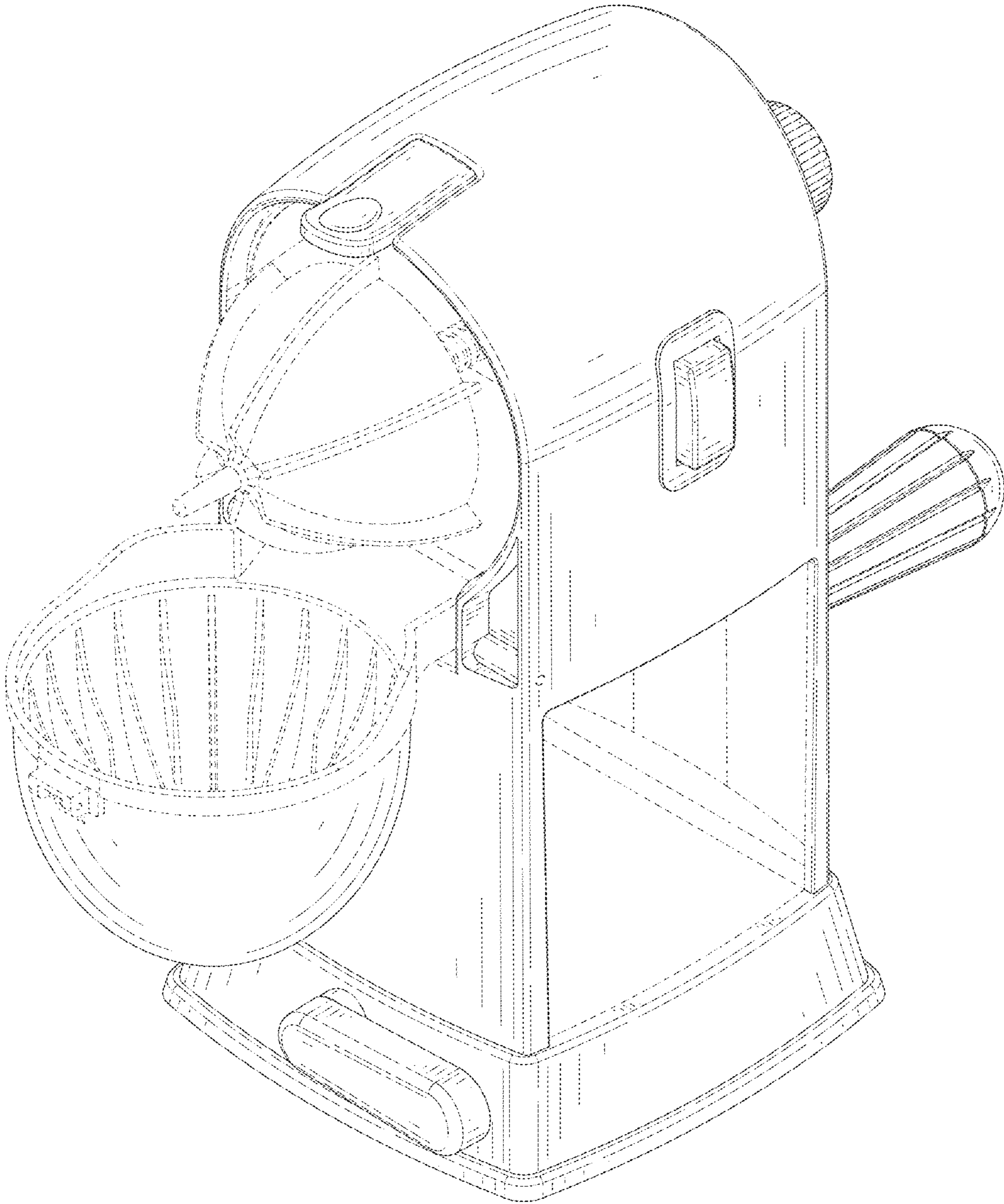


FIG. 10