



US00D974124S

(12) **United States Design Patent**
Huang et al.

(10) **Patent No.:** **US D974,124 S**
(45) **Date of Patent:** **** Jan. 3, 2023**

(54) **PAIR OF CHOPSTICKS**

FOREIGN PATENT DOCUMENTS

(71) Applicant: **Minima Technology Co., Ltd.**, Yunlin County (TW)

CN 304662095 * 6/2018
KR 300843885.0000 * 3/2016

(72) Inventors: **Chien-Ming Huang**, Yunlin County (TW); **Yu-Kai Huang**, Yunlin County (TW)

OTHER PUBLICATIONS

(73) Assignee: **MINIMA TECHNOLOGY CO., LTD.**, Huwei Township, Yunlin County (TW)

Kikkerland Collapsible Travel Chopsticks, posted at Amazon.com on Feb. 13, 2008, [site visited Apr. 22, 2022]. Available from internet, URL: <https://www.amazon.com/Kikkerland-CD20-Collapsible-Travel-Chopsticks/dp/B0013YQQ5U/> (Year: 2008).*

(Continued)

(**) Term: **15 Years**

Primary Examiner — Andrew Kerr

(21) Appl. No.: **29/764,522**

Assistant Examiner — Chariton Alexakis

(22) Filed: **Dec. 30, 2020**

(74) *Attorney, Agent, or Firm* — Muncy, Geissler, Olds & Lowe, P.C.

(51) **LOC (14) Cl.** **07-03**

(52) **U.S. Cl.**

(57) **CLAIM**

USPC **D7/642**

The ornamental design for a pair of chopsticks, as shown and described.

(58) **Field of Classification Search**

DESCRIPTION

USPC D7/300.2, 393, 401.2, 642, 643, 644, D7/645, 653, 654, 655, 656, 657, 658, D7/659, 660, 661, 662, 663, 664, 665, D7/666, 667, 668, 683, 684, 685, 686, D7/687; D19/139, 172, 910; D21/440, D21/726

FIG. 1 is a perspective view of a pair of chopsticks showing my new design;

CPC A47G 21/103; A47G 21/18; A47G 21/181; A47G 21/183; A47G 21/189; A47G 19/2222

FIG. 2 is a front elevational view thereof;

See application file for complete search history.

FIG. 3 is a rear elevational view thereof;

(56) **References Cited**

U.S. PATENT DOCUMENTS

2,288,848 A * 7/1942 Schuessler A47G 21/189 239/33
3,189,171 A * 6/1965 Miller A47G 21/189 206/229
5,431,465 A * 7/1995 Shibata A47G 21/103 294/5.5

FIG. 4 is a left side elevational view thereof;

FIG. 5 is a right side elevational view thereof;

FIG. 6 is a top plan view thereof;

FIG. 7 is a bottom plan view thereof;

FIG. 8 is an enlarged top plan view thereof;

FIG. 9 is an enlarged bottom plan view thereof;

FIG. 10 is a cross-sectional view taken along Line 10-10 of FIG. 2 thereof;

FIG. 11 is an enlarged cross sectional view taken along with Line 11-11 of FIG. 2 thereof; and,

FIG. 12 is an enlarged cross sectional view taken along with Line 12-12 of FIG. 2 thereof.

(Continued)

1 Claim, 9 Drawing Sheets



(56)

References Cited

U.S. PATENT DOCUMENTS

D437,372 S * 2/2001 Chen D21/726
D853,164 S * 7/2019 Pepper D7/300.2
D853,193 S * 7/2019 Hartnett D7/505
D879,528 S * 3/2020 Pepper D7/300.2
D887,762 S * 6/2020 Chen D7/300.2
D901,961 S * 11/2020 Lee D7/300.2
D930,419 S * 9/2021 Zastawny D7/300.2
2012/0068487 A1 * 3/2012 Wong F16B 7/0433
24/570
2020/0008599 A1 * 1/2020 Price A47G 21/189
2021/0219760 A1 * 7/2021 Barrett A47G 21/18
2021/0244217 A1 * 8/2021 Reynolds A47G 21/18
2021/0345804 A1 * 11/2021 Chen A47G 21/189

OTHER PUBLICATIONS

YIJU Stainless Steel Collapsible Travel Chopstick, posted at Amazon.com on Dec. 3, 2020, [site visited Apr. 22, 2022]. Available from internet, URL: <<https://www.amazon.com/YIJU-Stainless-Collapsible-Chopsticks-Folding/dp/B0917ZXBNG/>> (Year: 2020).*

* cited by examiner

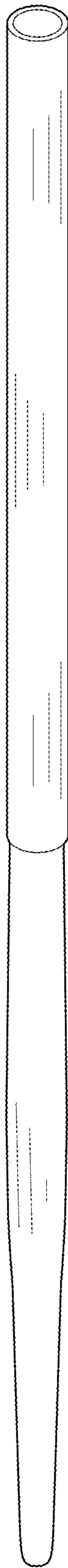


FIG. 1

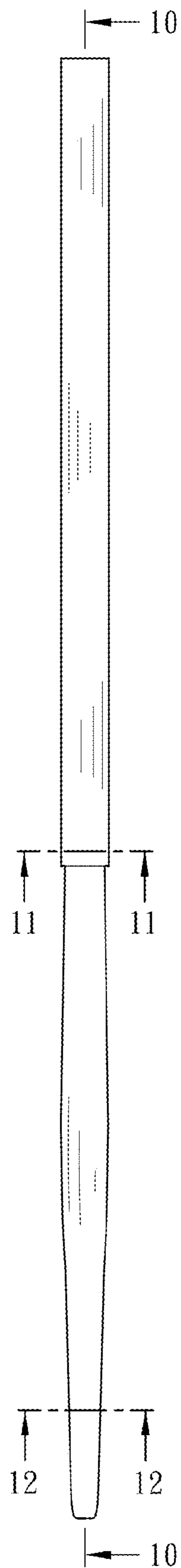


FIG. 2



FIG. 3

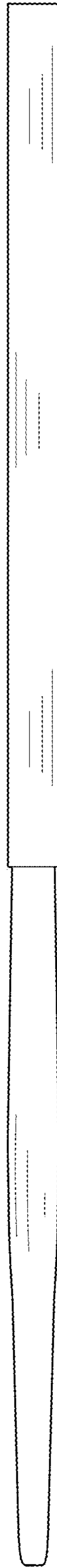


FIG. 4



FIG. 5

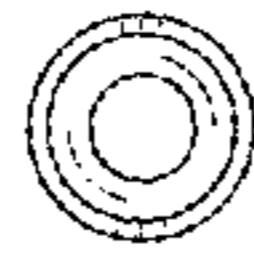


FIG. 6



FIG. 7

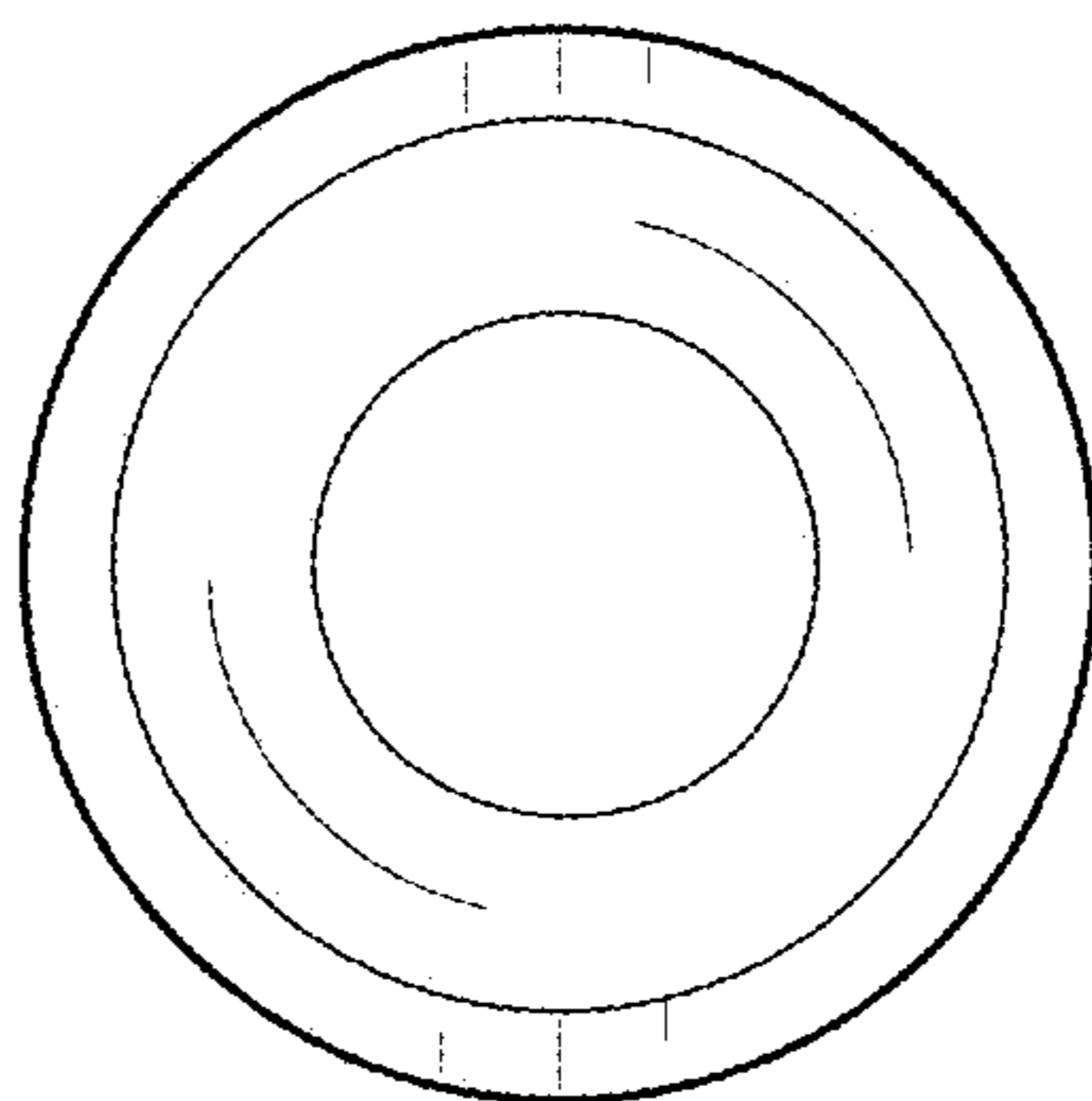


FIG. 8

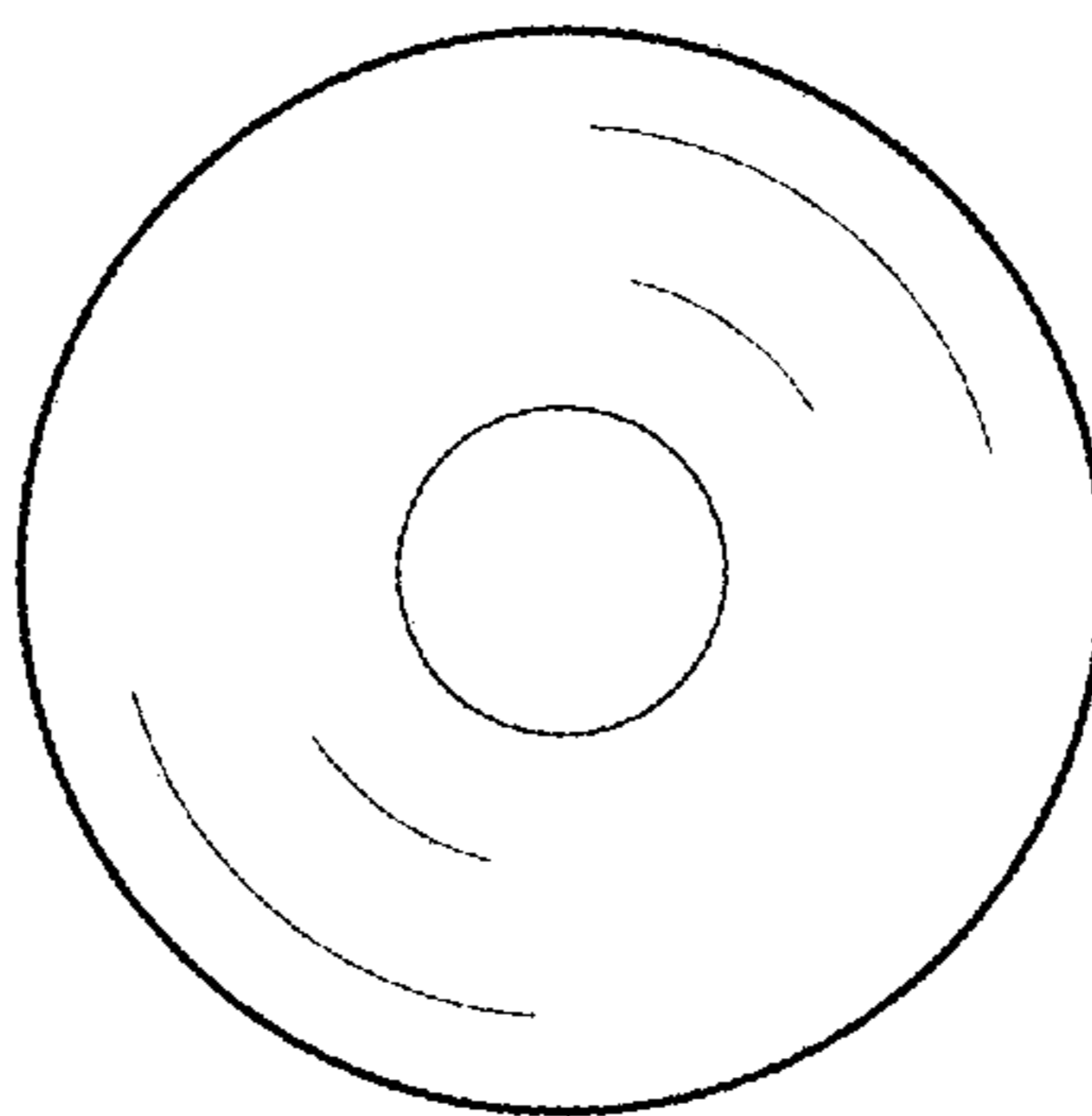


FIG. 9



FIG. 10

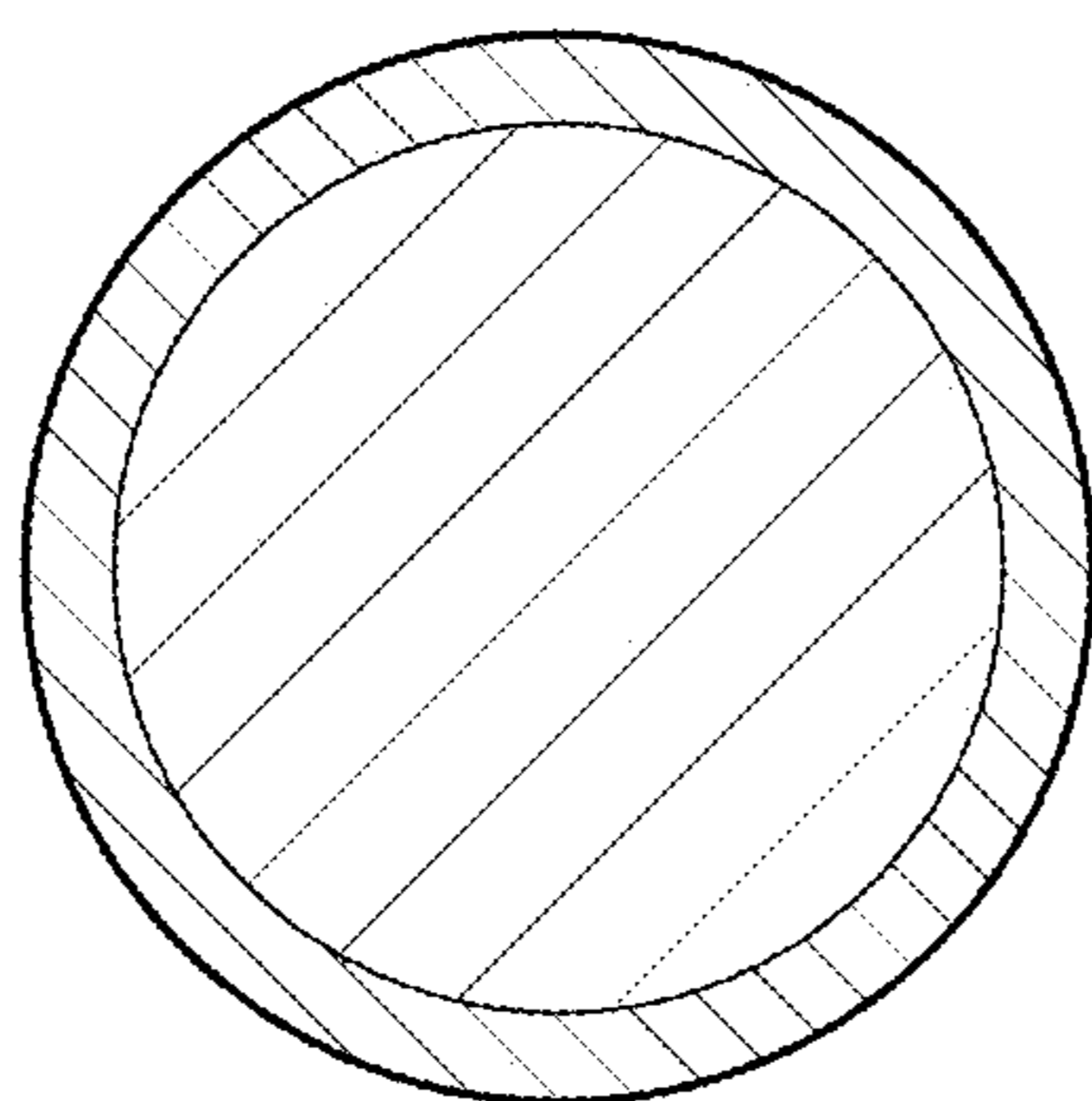


FIG. 11

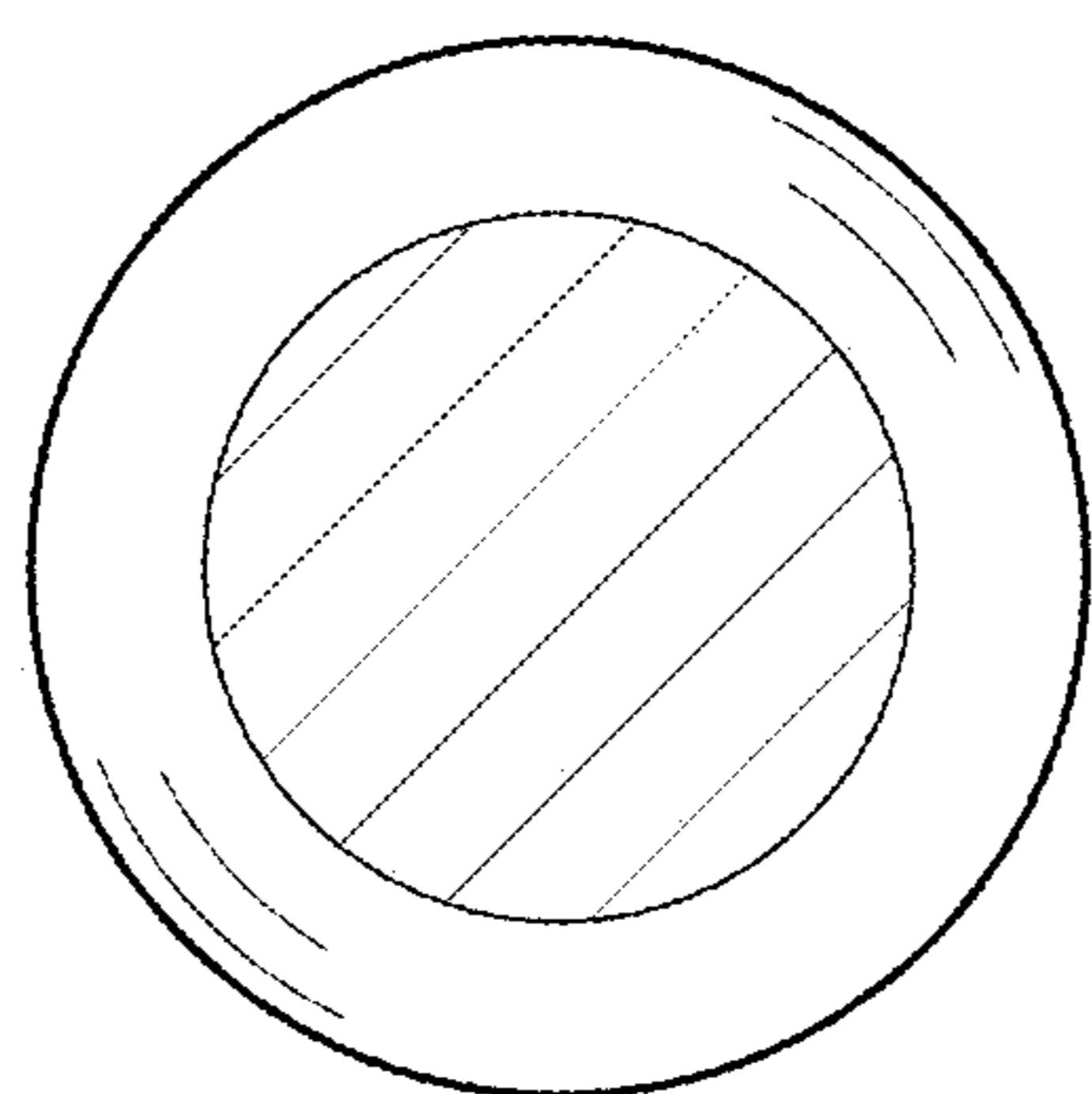


FIG. 12