



US00D974123S

(12) **United States Design Patent**
Koenig

(10) **Patent No.:** **US D974,123 S**
(45) **Date of Patent:** **** Jan. 3, 2023**

(54) **EXPANDABLE PIZZA CONTAINER**
(71) Applicant: **Tate Koenig**, Aurora, OR (US)
(72) Inventor: **Tate Koenig**, Aurora, OR (US)
(**) Term: **15 Years**

D391,808 S * 3/1998 Voege D7/610
D418,371 S * 1/2000 Whitehead D7/629
D455,318 S * 4/2002 Miller D7/602
D455,614 S * 4/2002 Miller D7/629
D507,453 S * 7/2005 Mills D7/359
D604,118 S * 11/2009 Braidotti D7/628
D647,372 S * 10/2011 Chhay B65D 21/0222
D7/602

(21) Appl. No.: **29/768,053**

(Continued)

(22) Filed: **Jan. 27, 2021**

(51) **LOC (14) Cl.** **07-07**

(52) **U.S. Cl.**
USPC **D7/629**

(58) **Field of Classification Search**
USPC D7/387, 504, 538, 540-543, 545-549,
D7/553.1-553.3, 554.3-555, 601-604,
D7/619.1-623, 628-631, 701-708.1, 709;
D3/202, 304, 306, 315, 316; D9/414,
D9/432, 455, 624, 643, 702, 703, 707,
D9/709, 738, 739, 742, 743, 745, 747,
D9/761
CPC A45C 11/20; A47G 21/16; A47J 47/14;
A47J 47/16; B65D 1/36; B65D 25/06;
B65D 43/02; B65D 43/0208; B65D
81/3453; B65D 2543/00194; B65D
2543/00296; B65D 2543/00685; B65D
2543/00796; B65D 2585/366; B65D
55/14

See application file for complete search history.

(56) **References Cited**

U.S. PATENT DOCUMENTS

2,525,337 A * 10/1950 Brooks A45C 11/20
206/551
3,620,411 A * 11/1971 Rump B65D 43/162
220/4.23
4,483,455 A * 11/1984 Prophet, Jr. A47G 23/06
D7/614
D303,766 S * 10/1989 Delbanco D9/782

OTHER PUBLICATIONS

Good 2 Go Expandable Pizza Container, first available Jan. 28, 2019, Amazon, [online], [site visited Apr. 29, 2022], Available from internet URL: <https://www.amazon.ae/good2go-Expandable-Pizza-Container-G31004/dp/B00JX4LH1A?th=1> (Year: 2019).*

(Continued)

Primary Examiner — Mary Ann Calabrese

Assistant Examiner — Natalya M Rapundalo

(74) *Attorney, Agent, or Firm* — Mark S Hubert

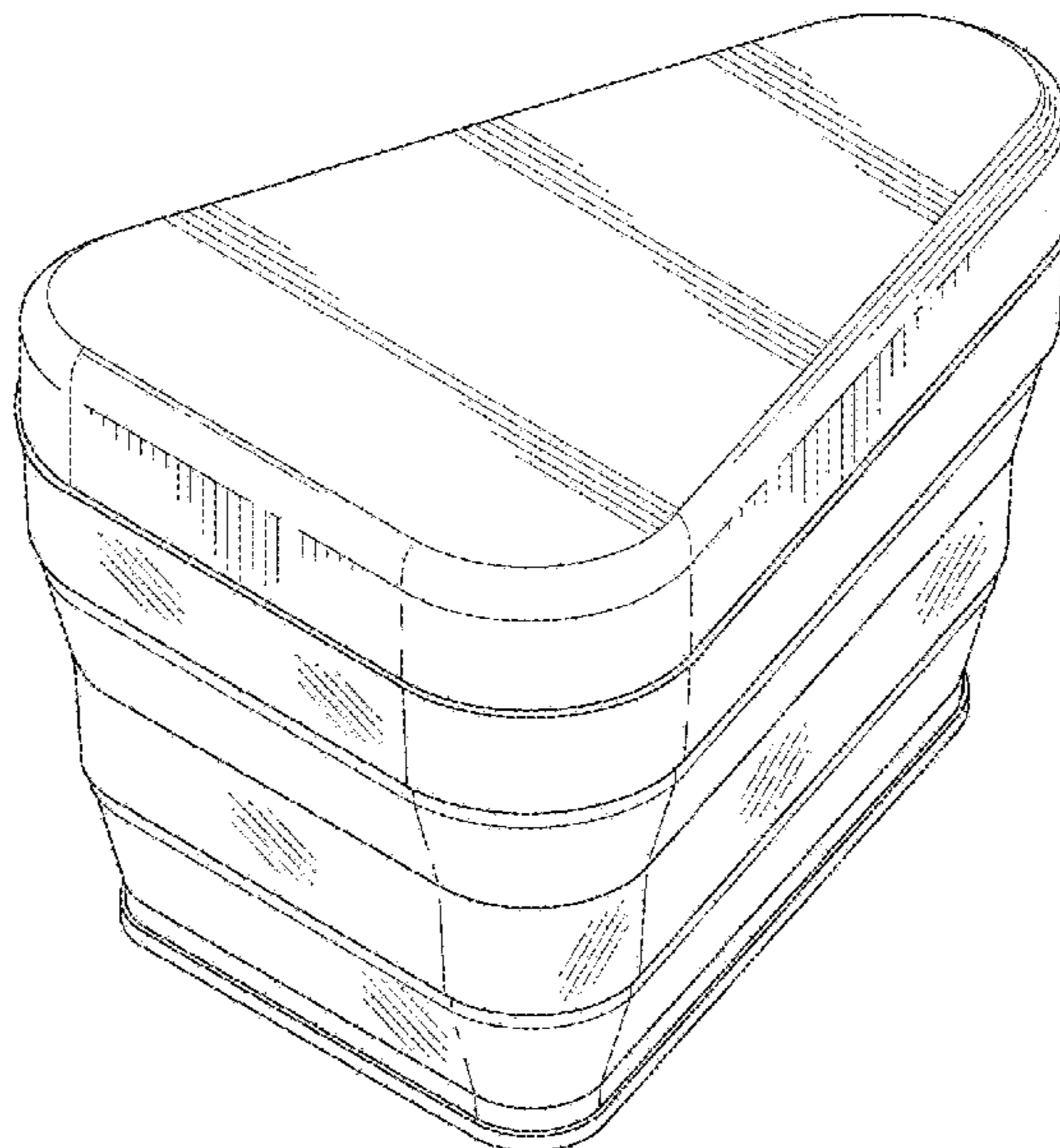
(57) **CLAIM**

I claim the ornamental design for an expandable pizza container, as shown and described.

DESCRIPTION

FIG. 1 is a top perspective view of an expandable pizza container showing my new design; FIG. 2 is a front view of the expandable pizza container, the rear view being a mirror image thereof; FIG. 3 is a right-side view of the expandable pizza container; FIG. 4 is a left-side view of the expandable pizza container; FIG. 5 is a top view of the expandable pizza container; and, FIG. 6 is a bottom view of the expandable pizza container. The rear view of the claimed design is not illustrated in the drawing disclosure as it is the mirror image of the front view illustration of FIG. 1.

1 Claim, 5 Drawing Sheets



(56)

References Cited

U.S. PATENT DOCUMENTS

D670,162 S * 11/2012 Segal D9/424
D683,192 S * 5/2013 Schwartz A45C 11/20
D7/629
D688,920 S * 9/2013 Manley B65D 43/0222
D7/629
D698,613 S * 2/2014 DiMeo D7/628
2021/0047081 A1 * 2/2021 Johnson B65D 43/0222

OTHER PUBLICATIONS

The Perfect Pizza Pack—Reusable Pizza Storage Container, first available Jan. 24, 2022, Amazon, [online], [site visited Apr. 29, 2022], Available from internet URL: <https://www.amazon.com/Perfect-Pizza-Pack-Microwavable-Adjustable/dp/B09R196Z7F> (Year: 2022).*

* cited by examiner

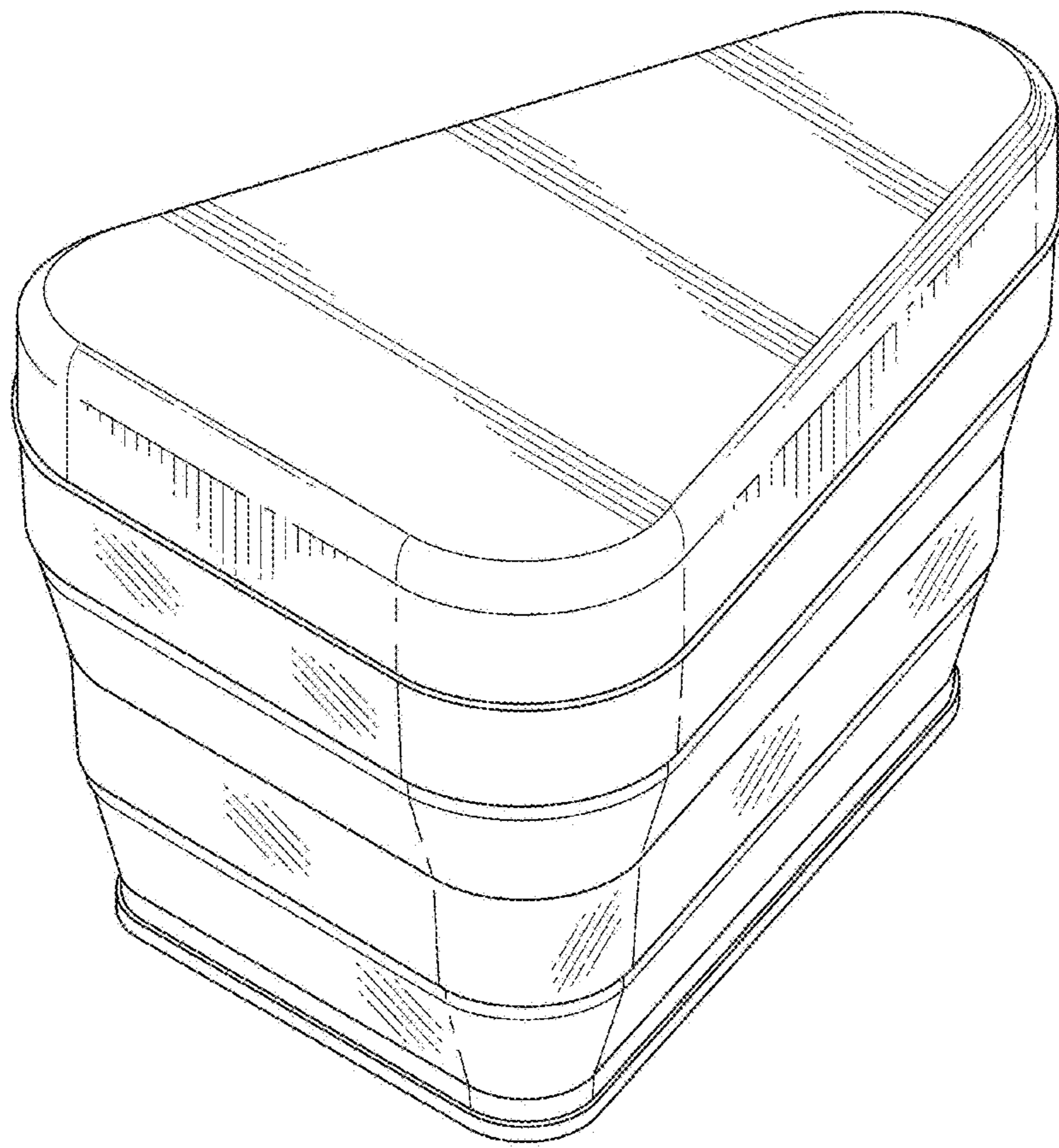


FIG. 1

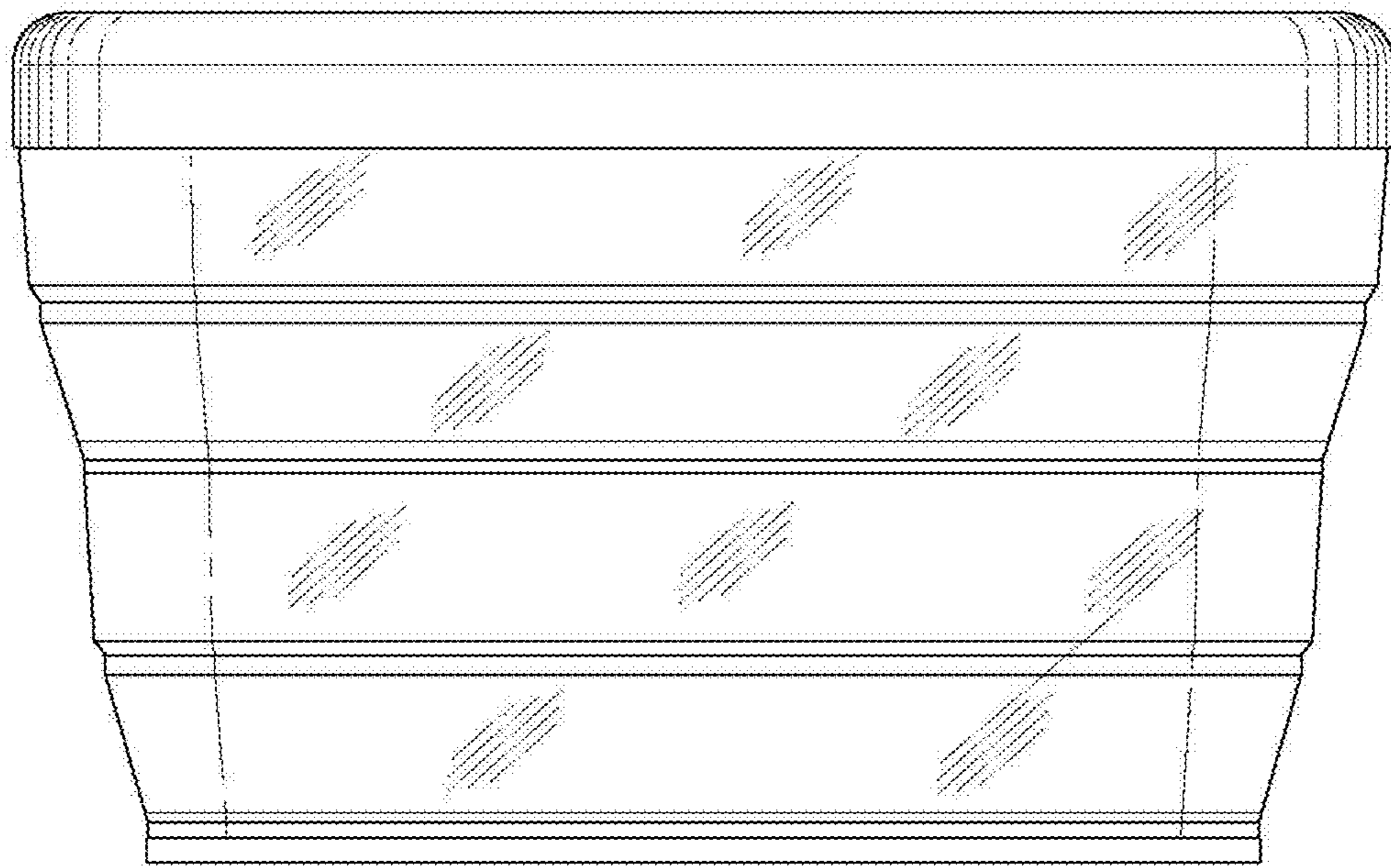


FIG. 2

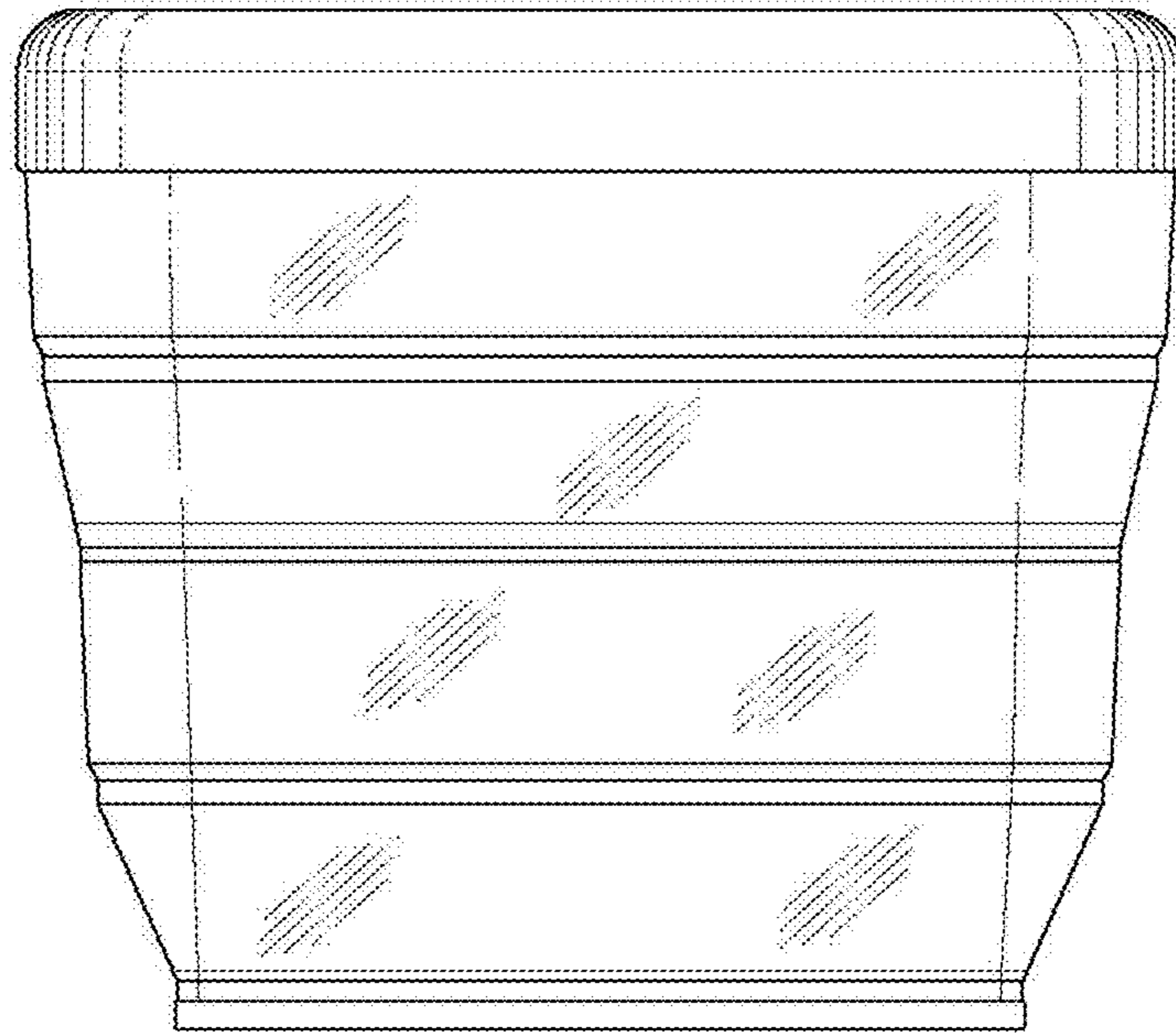


FIG. 3

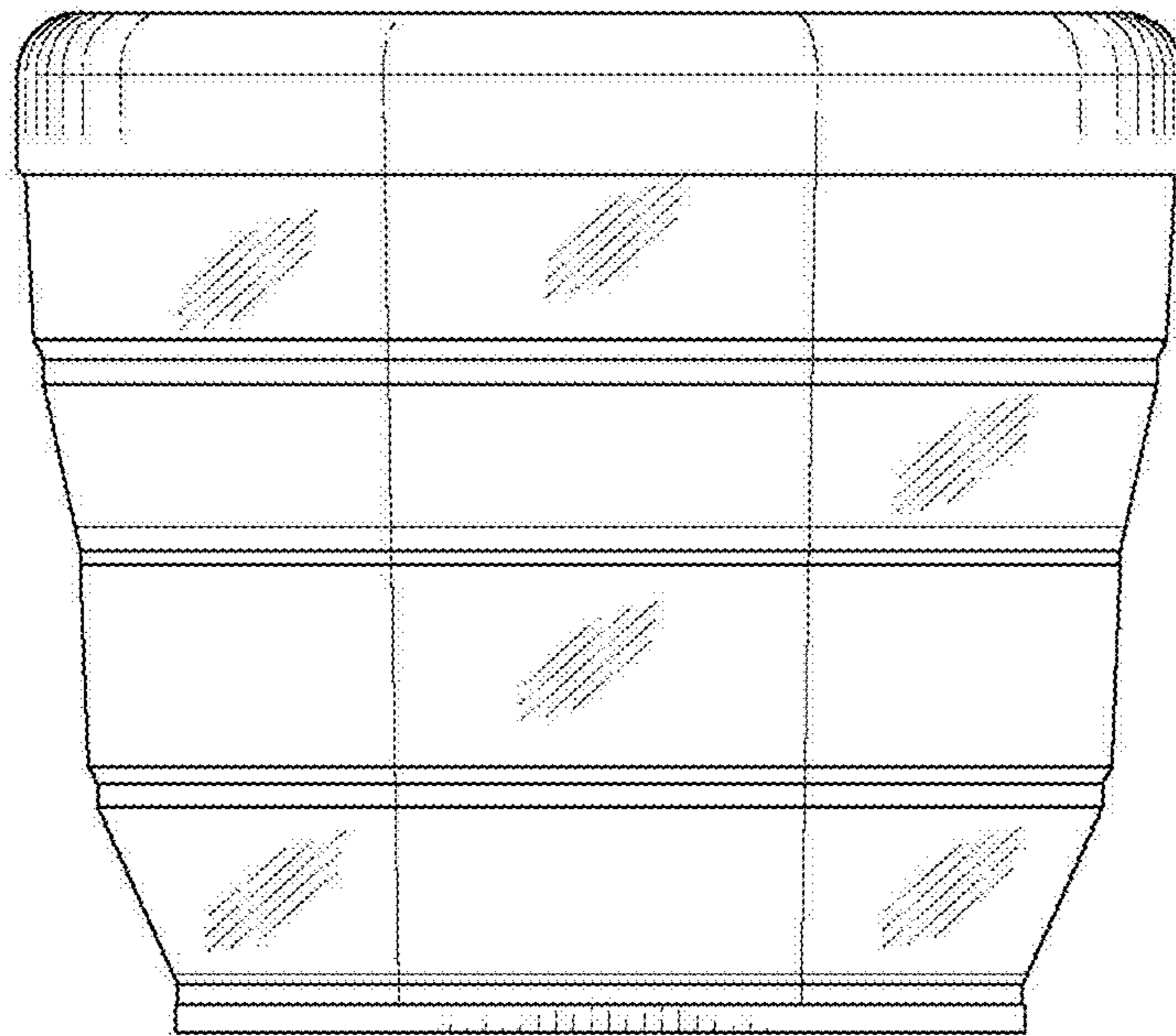


FIG. 4

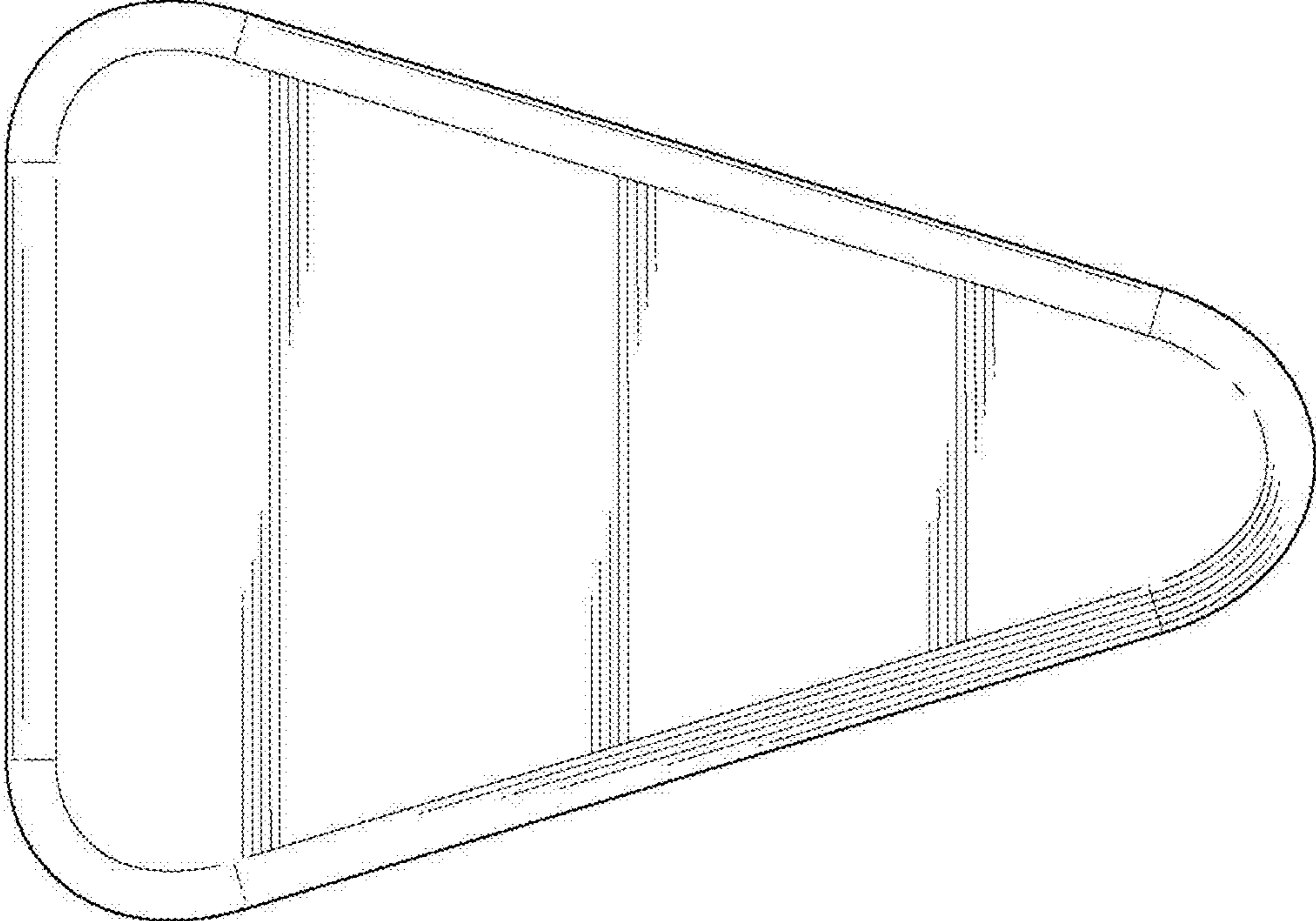


FIG. 5

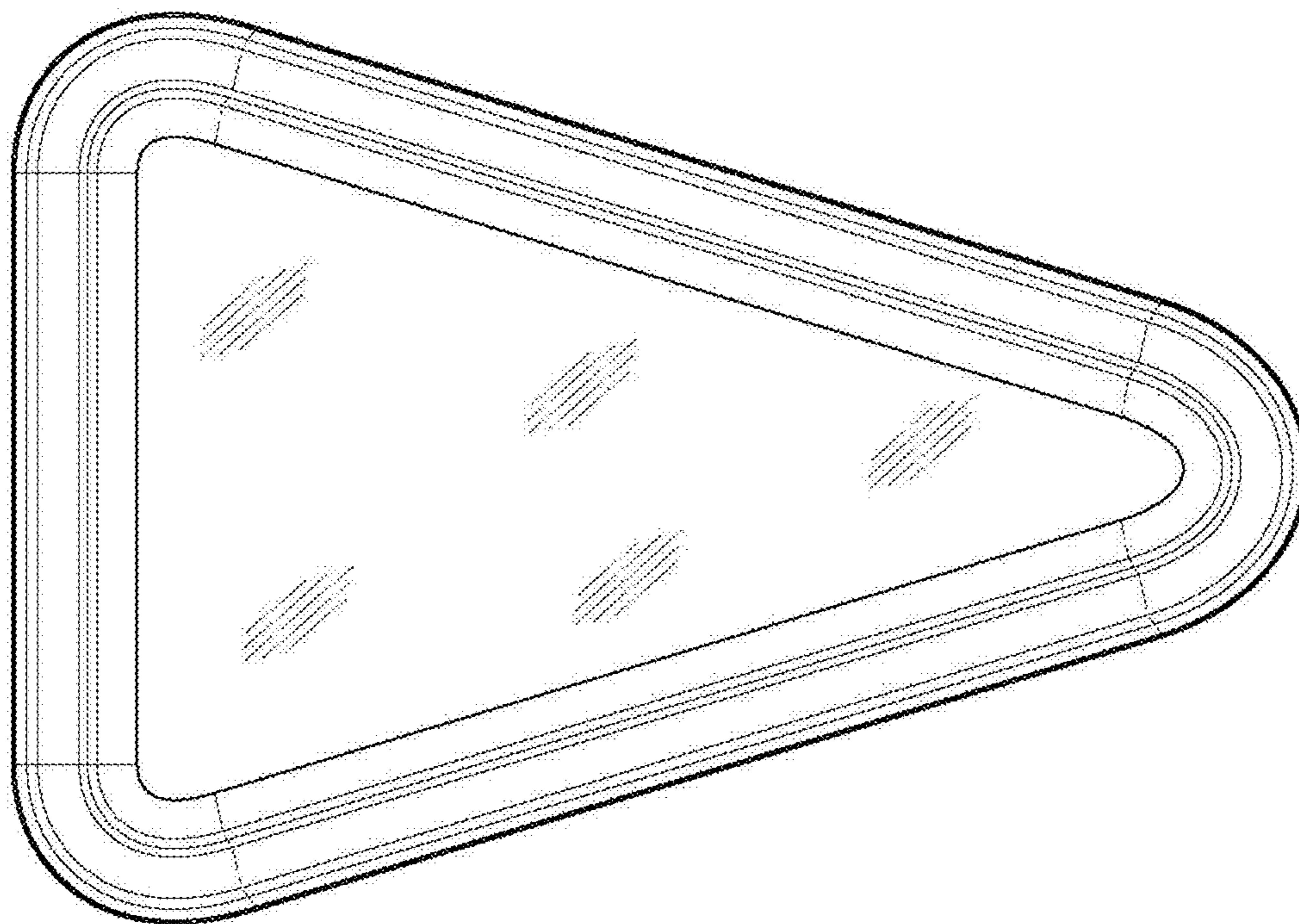


FIG. 6