



US00D974121S

(12) **United States Design Patent** (10) **Patent No.:** **US D974,121 S**
Agbato (45) **Date of Patent:** **** Jan. 3, 2023**

(54) **SOFT-SIDED COOLER**

(71) Applicant: **DAM Coolers, LLC**, Alpharetta, GA (US)

(72) Inventor: **Olufemi A. Agbato**, Alpharetta, GA (US)

(73) Assignee: **Dam Coolers, LLC**, Alpharetta, GA (US)

(**) Term: **15 Years**

(21) Appl. No.: **29/743,039**

(22) Filed: **Jul. 17, 2020**

(51) **LOC (14) Cl.** **07-10**

(52) **U.S. Cl.**
USPC **D7/607**

(58) **Field of Classification Search**

USPC D3/217, 245, 289, 318; D7/313, 391, D7/603, 605, 606, 607, 608; D9/434
CPC . B65D 1/00; B65D 1/22; B65D 81/18; B65D 81/2015; B65D 81/2038; B65D 81/38; B65D 81/3806; B65D 81/3813; B65D 81/3818; B65D 81/383

See application file for complete search history.

(56) **References Cited**

U.S. PATENT DOCUMENTS

D340,351 S * 10/1993 Wrath D3/217
D434,609 S * 12/2000 Yu D7/607
D508,376 S * 8/2005 Bhavnani D3/279
8,043,004 B2 * 10/2011 Mogil A45C 5/02
220/592.2
D650,576 S * 12/2011 Bertken D3/217

(Continued)

Primary Examiner — Joseph Kukella

Assistant Examiner — Darryl J Dardenne

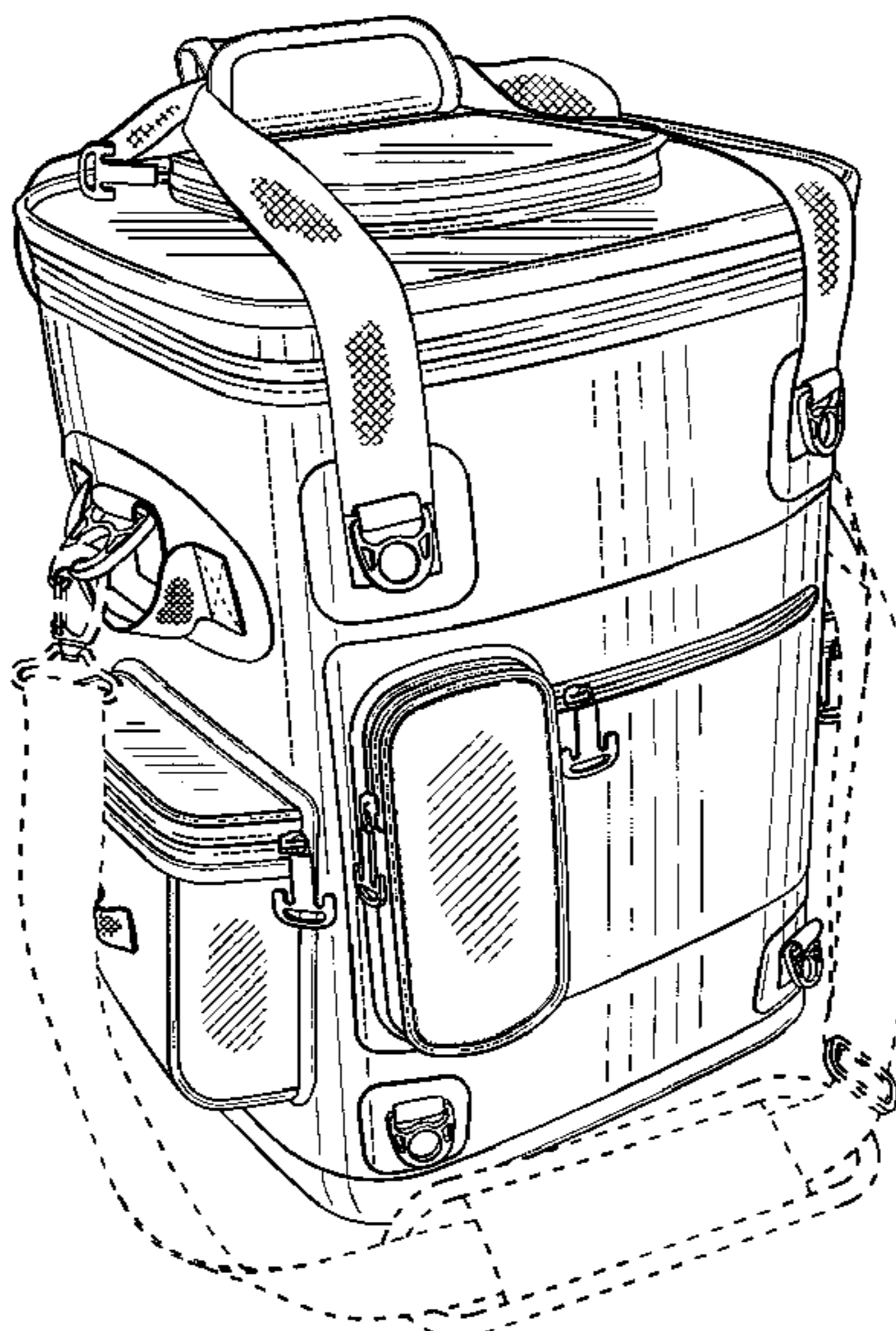
(57) **CLAIM**

The ornamental design for a soft-sided cooler, as shown and described.

DESCRIPTION

FIG. 1 is a perspective view of a soft-sided cooler showing my new design;
FIG. 2 is a front elevation view thereof shown without the strap for clarity of illustration of the claimed design;
FIG. 3 is a front elevation view thereof with the top straps lifted upwardly shown without the strap for clarity of illustration of the claimed design;
FIG. 4 is a front elevation view thereof;
FIG. 5 is a top plan view thereof with the top straps folded outwardly shown without the strap for clarity of illustration of the claimed design;
FIG. 6 is a left-side elevation view thereof showing a second strap configuration;
FIG. 7 is a right-side elevation view thereof showing a second strap configuration;
FIG. 8 is a rear elevation view thereof shown without the strap for clarity of illustration of the claimed design;
FIG. 9 is a rear elevation view thereof showing a second strap configuration;
FIG. 10 is a perspective view thereof with the top straps folded downwardly and the top hatch in an open condition;
FIG. 11 is a top plan view with the handle straps folded downwardly and the top hatch in an open condition shown without straps for clarity of illustration of the claimed design;
FIG. 12 is a top plan view thereof of the cooler shown in FIG. 1 with the top lid in an open condition and showing the internal removable divider;
FIG. 13 is a partial perspective view of the cooler shown in FIG. 1 with the top lid in an open condition and showing the removable divider; and,
FIG. 14 is a front elevation view of the removable divider. The broken lines are included for the purpose of illustration and form no part of the claimed design.

1 Claim, 14 Drawing Sheets



(56)

References Cited

U.S. PATENT DOCUMENTS

D692,661	S	*	11/2013	Gupton, Jr.	D3/289
D787,816	S	*	5/2017	Slimane	D3/217
D828,112	S	*	9/2018	Furneaux	D3/216
D828,728	S	*	9/2018	Jacobsen	D7/607
D832,653	S	*	11/2018	Waskow	D7/607
D834,895	S	*	12/2018	Triska	D3/216
D867,823	S	*	11/2019	Jacobsen	D3/216
D871,163	S	*	12/2019	Jacobsen	A45C 5/02
						D3/216
D871,854	S	*	1/2020	Vickery	D7/607
D880,847	S	*	4/2020	Huang	D3/217
D880,952	S	*	4/2020	Mitchell	D3/216
D903,430	S	*	12/2020	Eisenhardt	D7/607
D912,974	S	*	3/2021	Breines	D3/217
D917,157	S	*	4/2021	Gregorec	B25H 3/04
						D3/217
D918,666	S	*	5/2021	Munie	D7/607
D922,062	S	*	6/2021	Shi	D3/217
D932,179	S	*	10/2021	Mukri	D3/217
D933,357	S	*	10/2021	Supernat	D3/217
D938,717	S	*	12/2021	Tan	D3/217
D940,452	S	*	1/2022	Bi	D3/217
2007/0278234	A1	*	12/2007	Mogil	B65D 81/38
						220/592.2

* cited by examiner

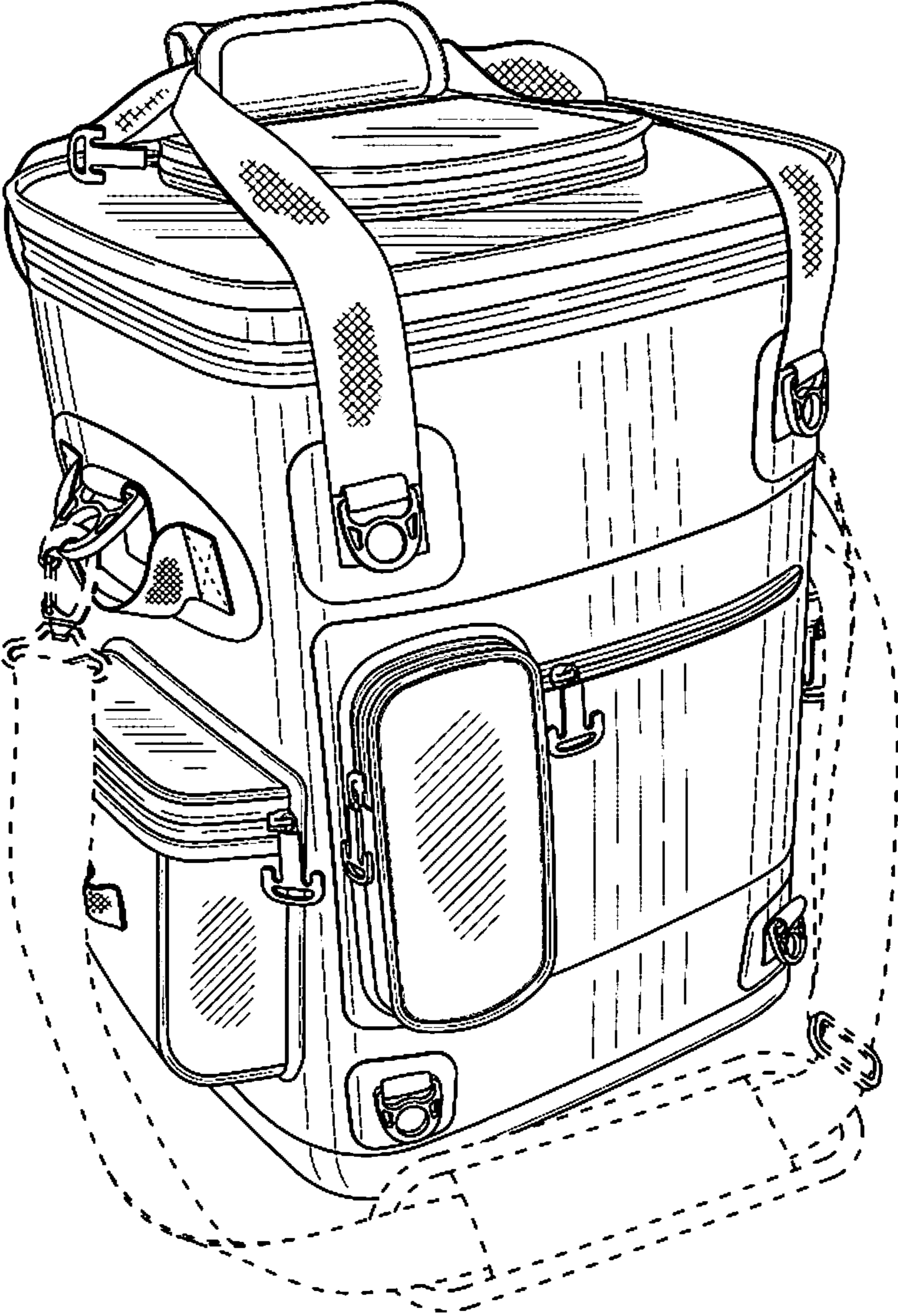


FIG. 1

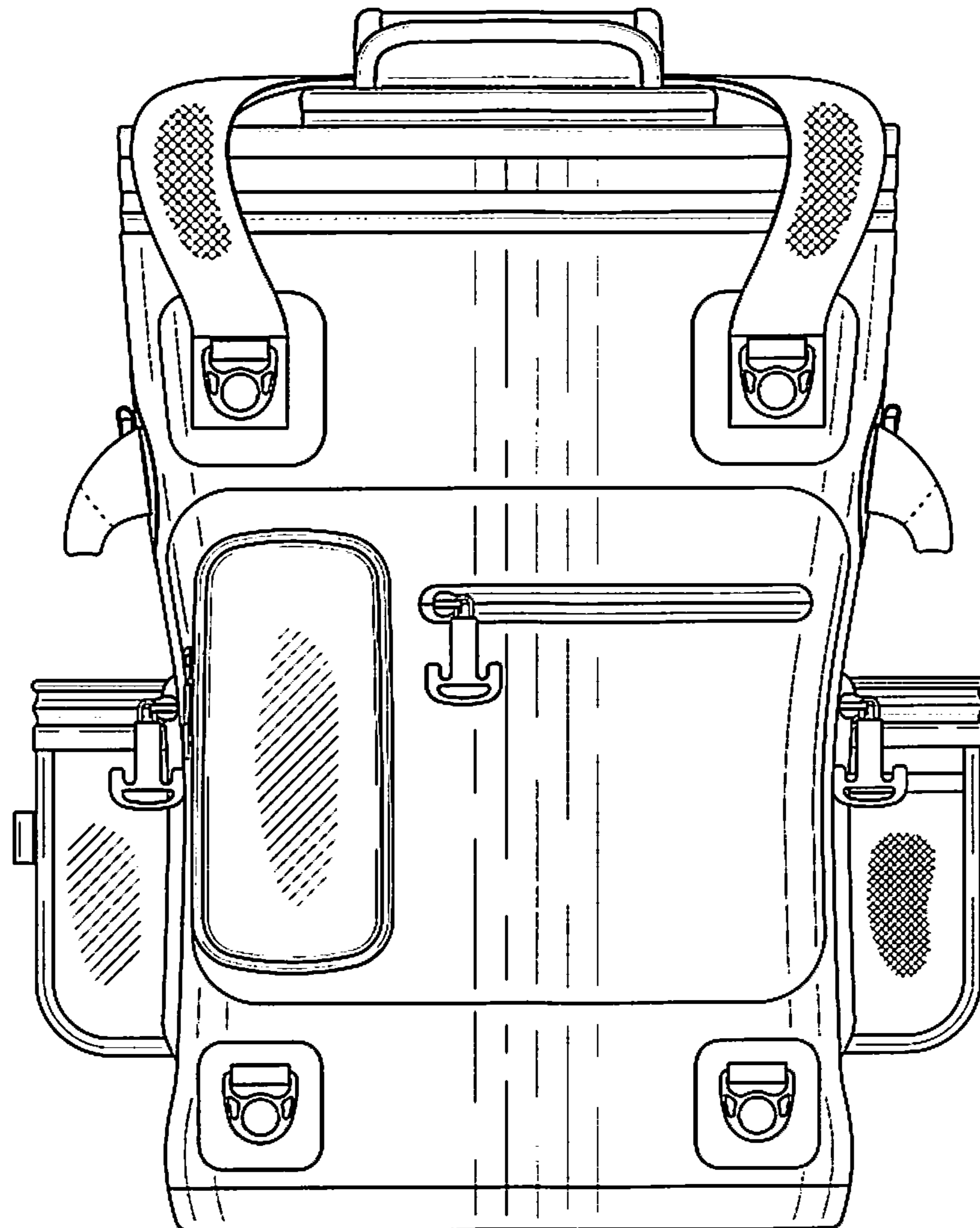


FIG. 2

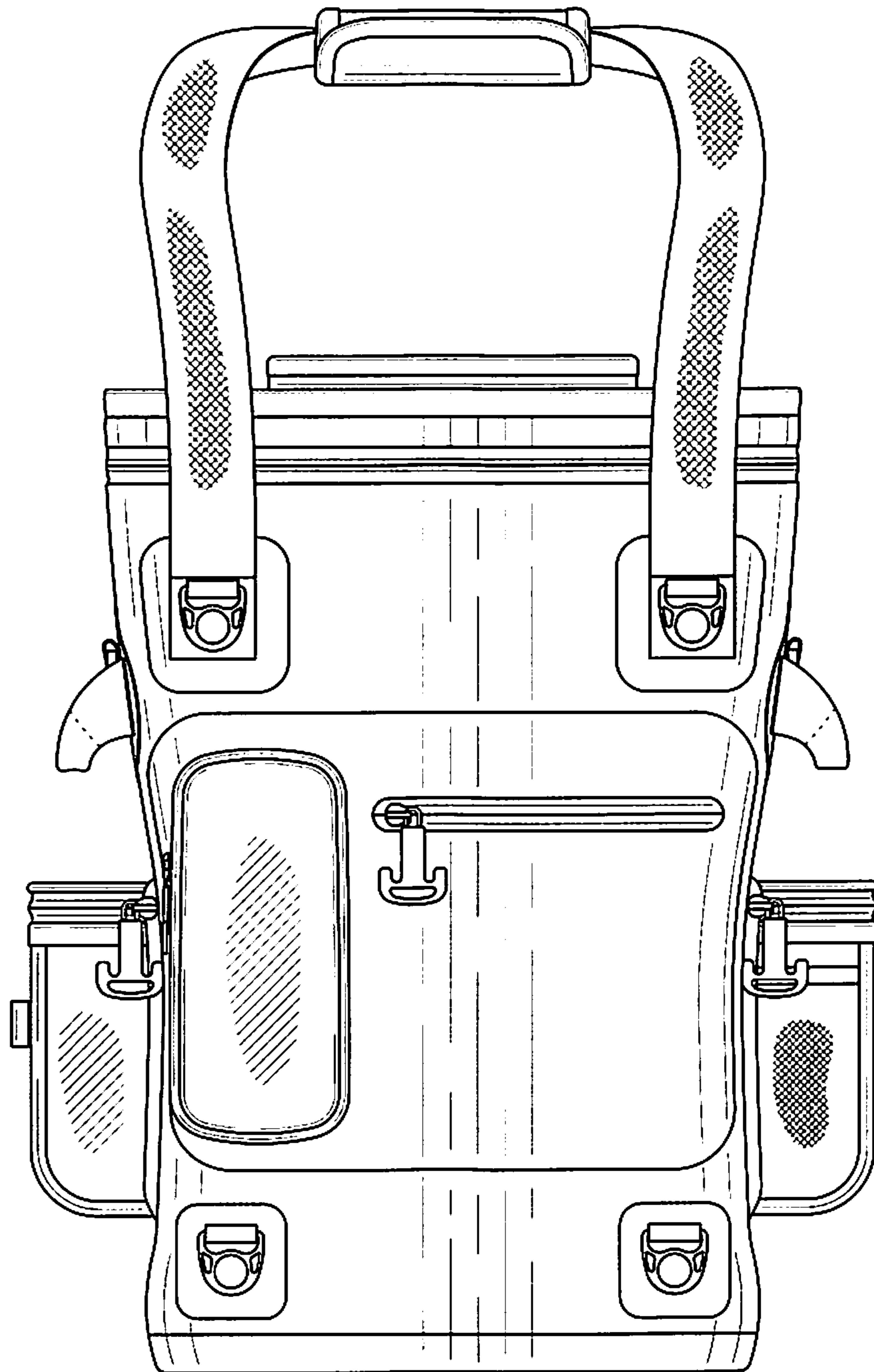


FIG. 3

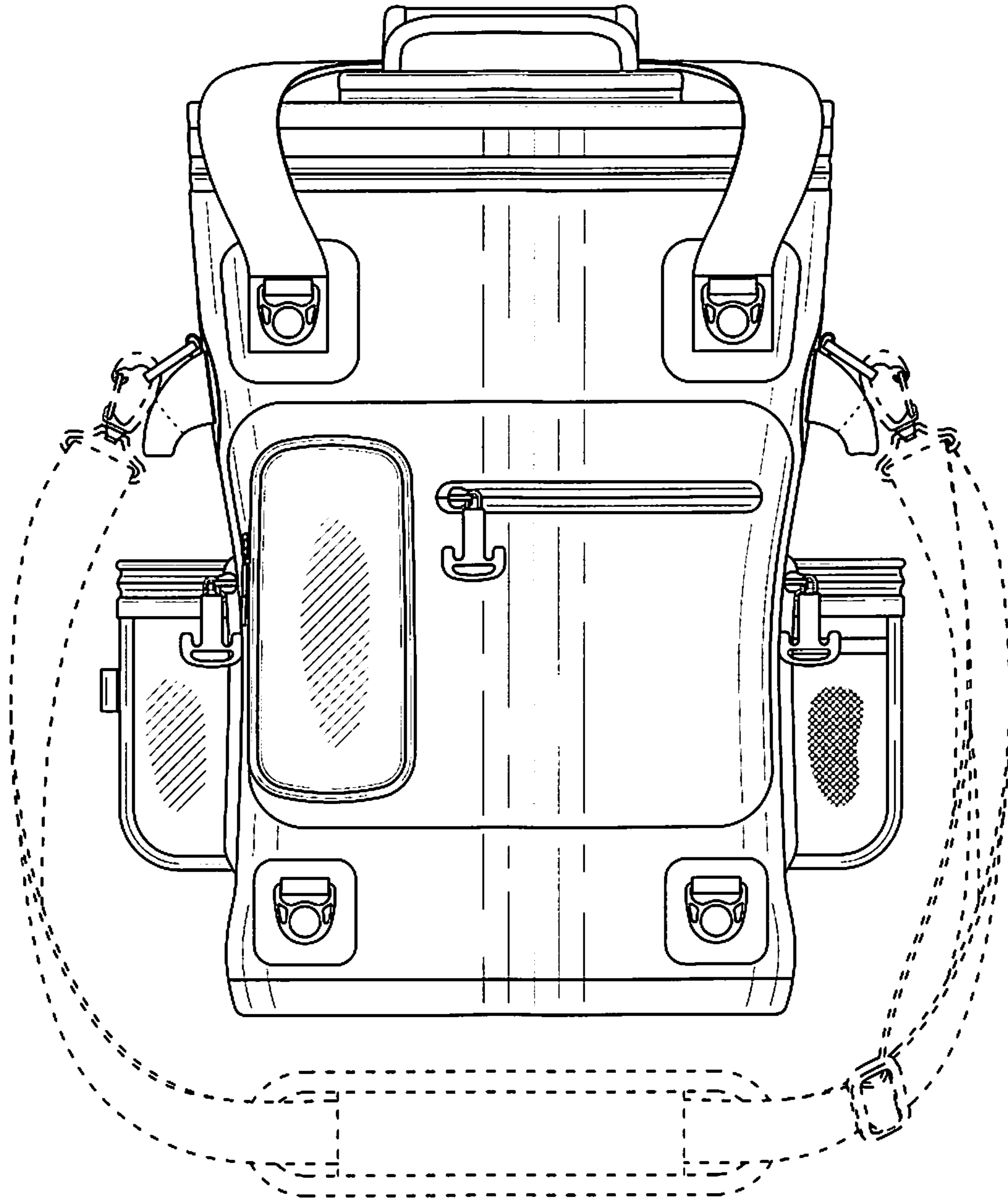


FIG. 4

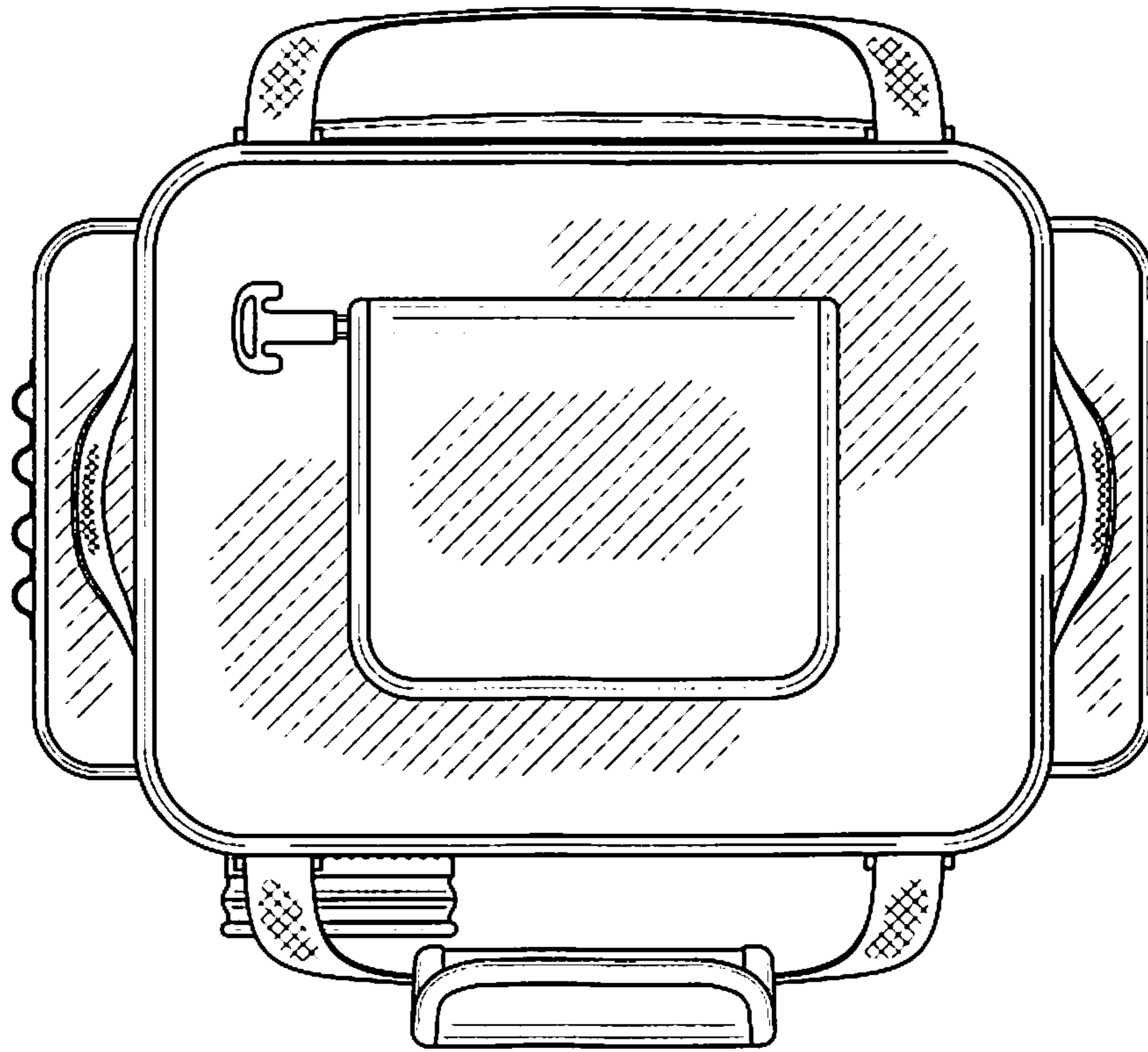


FIG. 5

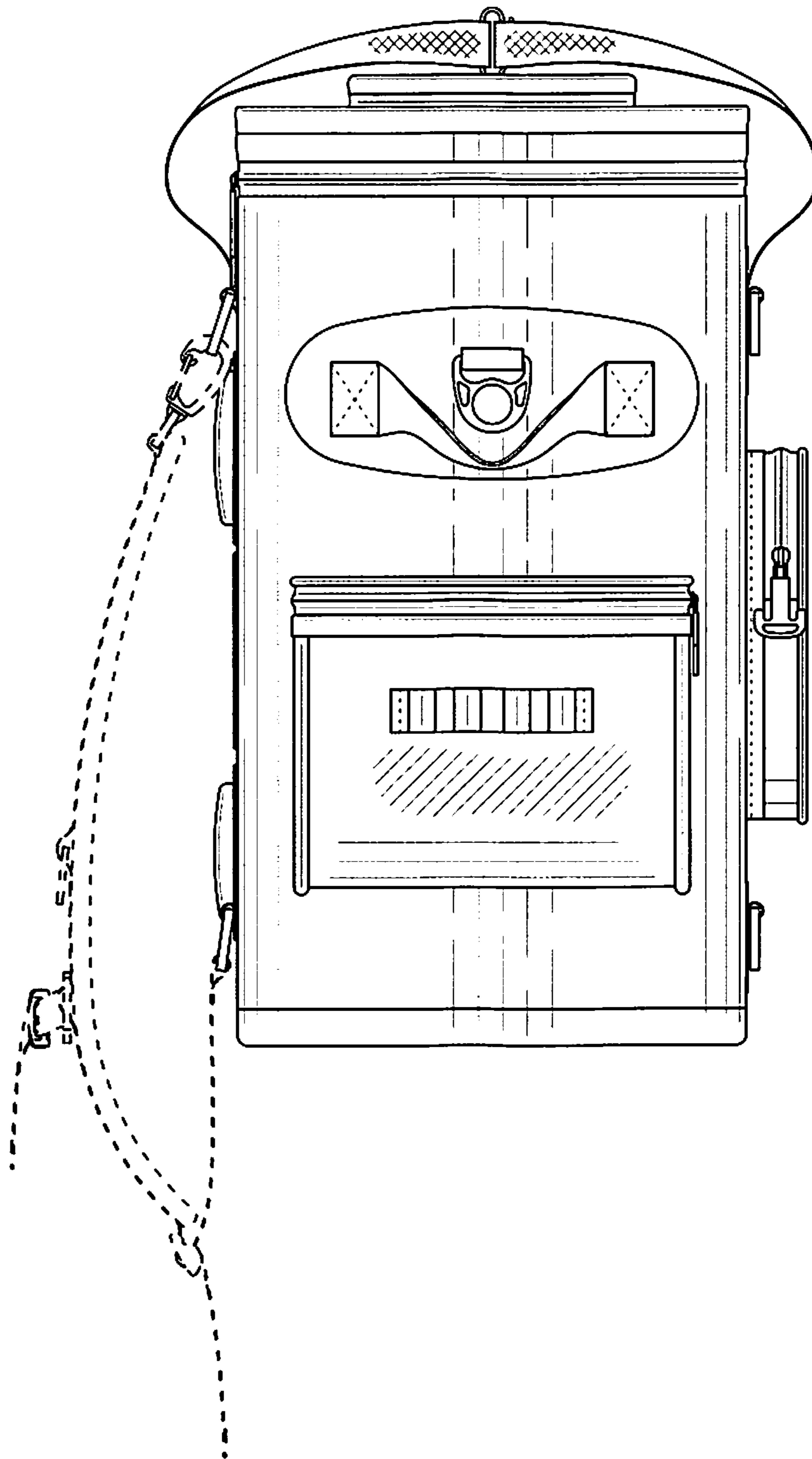


FIG. 6

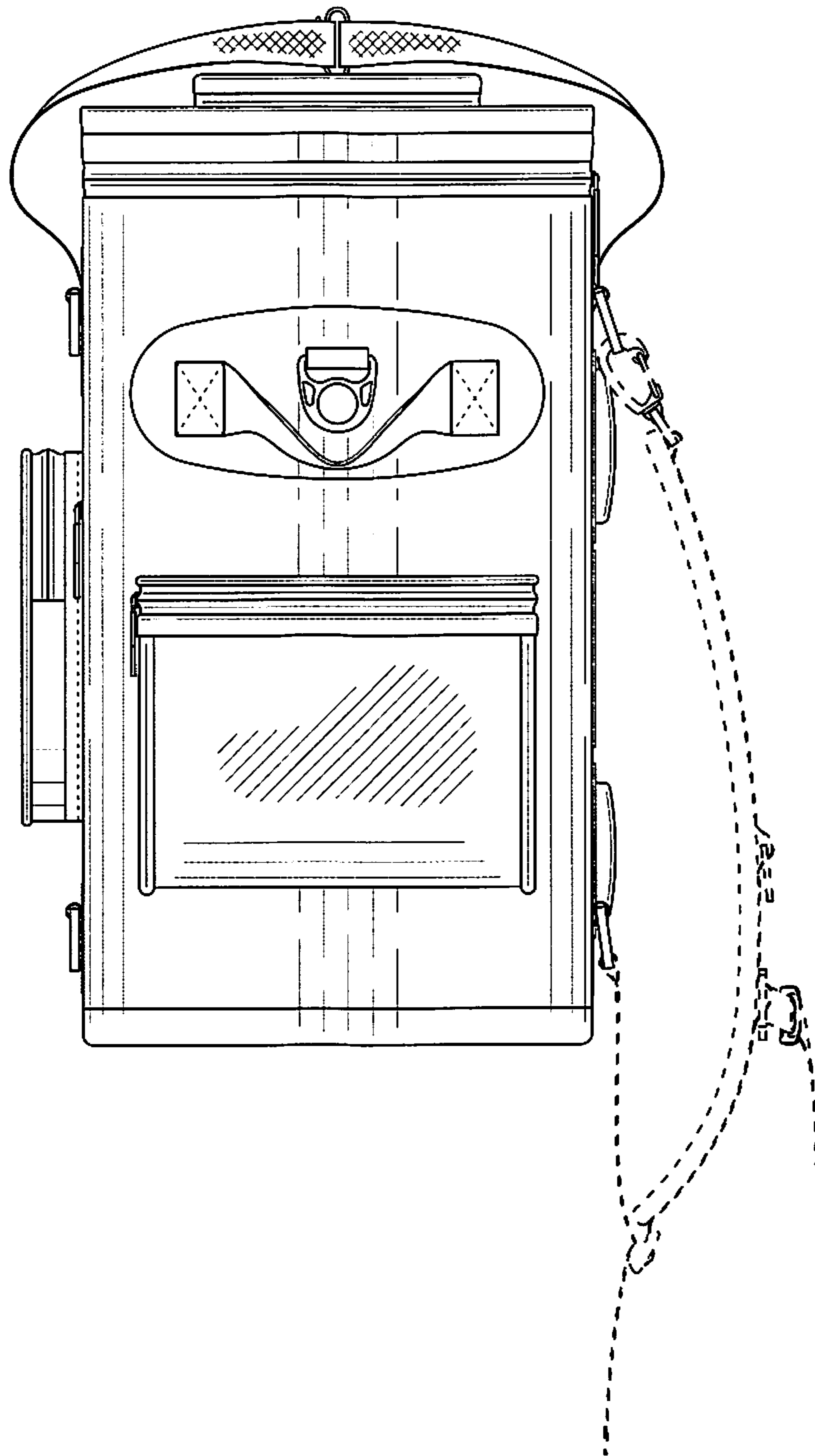


FIG. 7

8/19

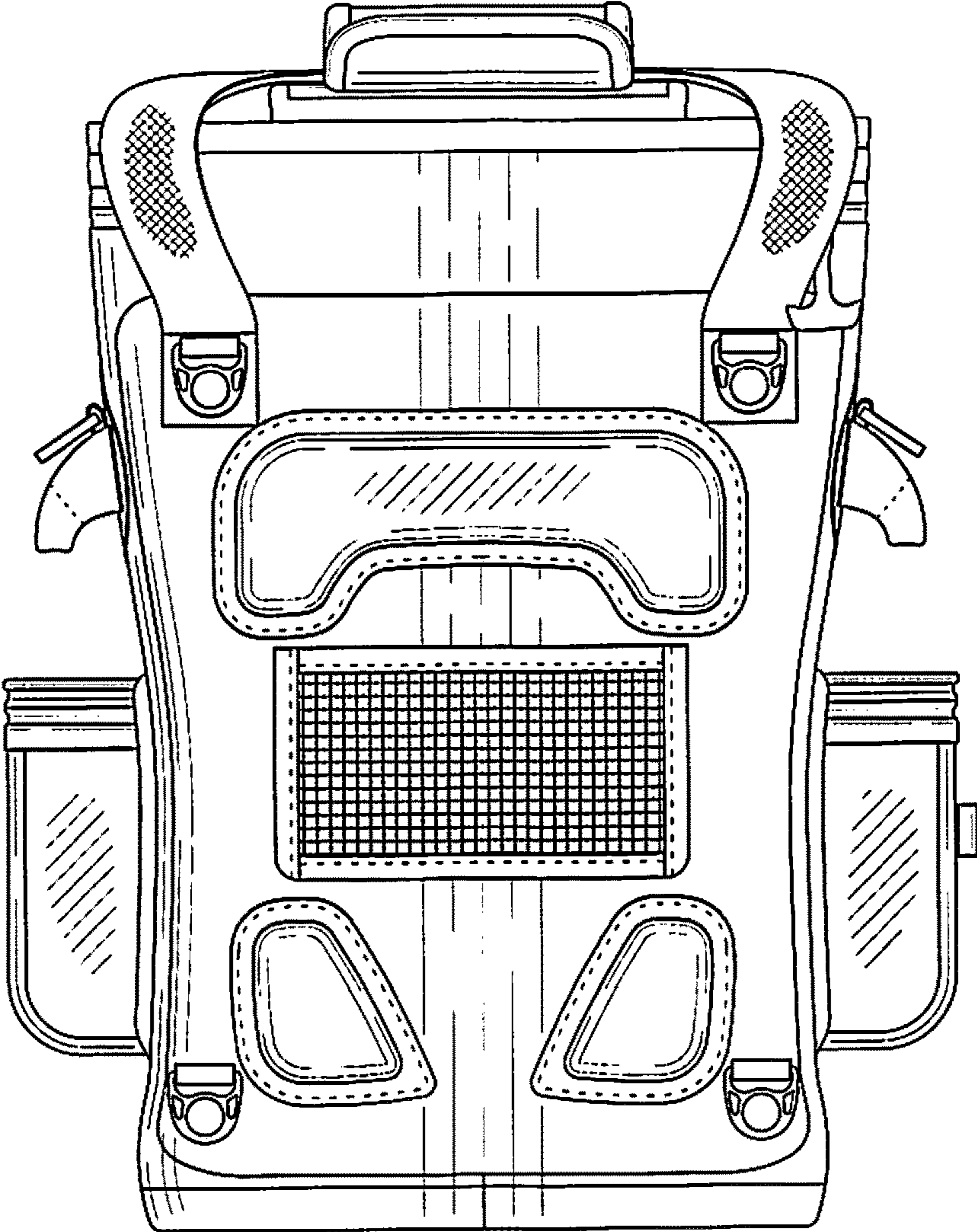


FIG. 8

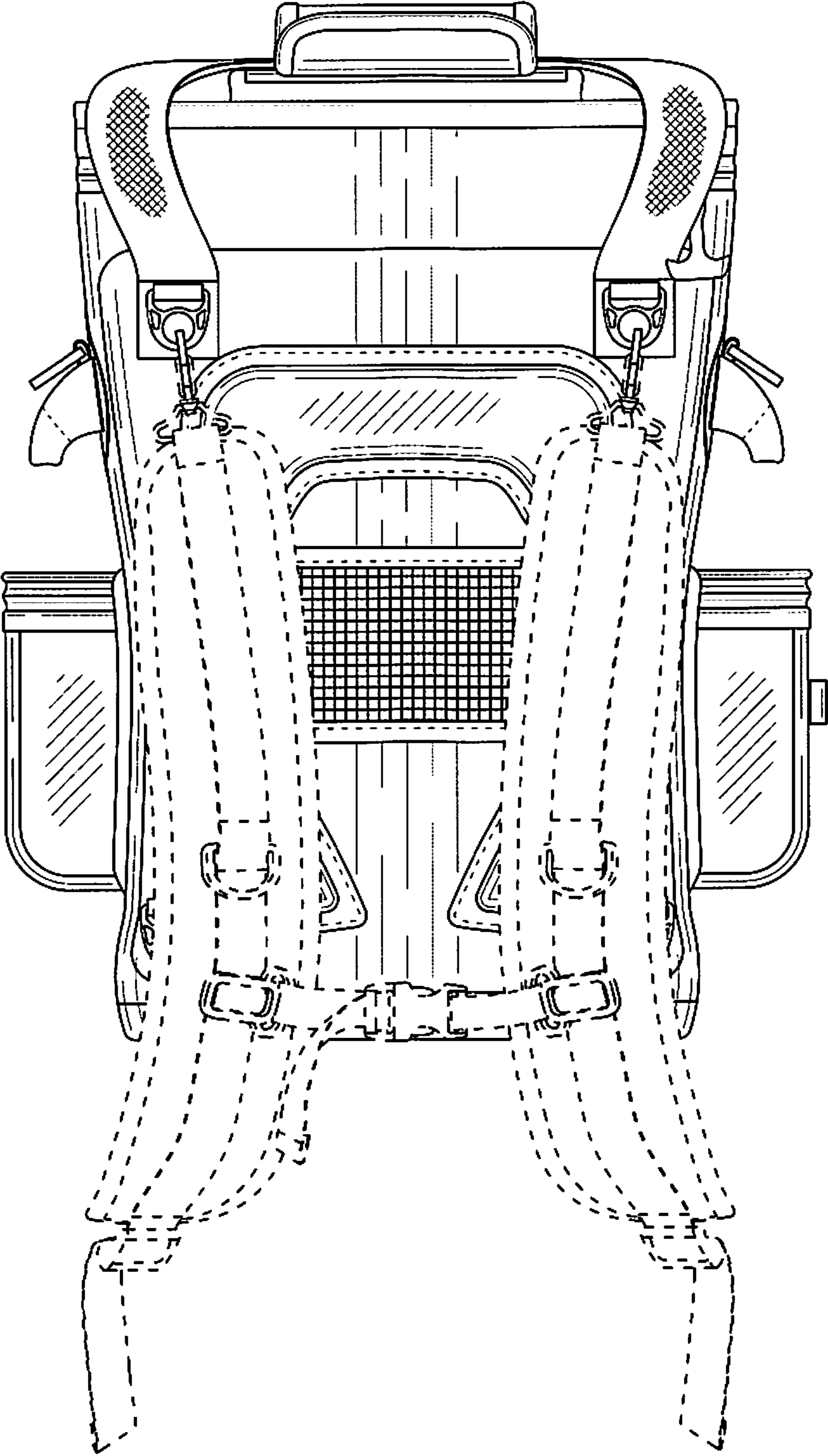


FIG. 9

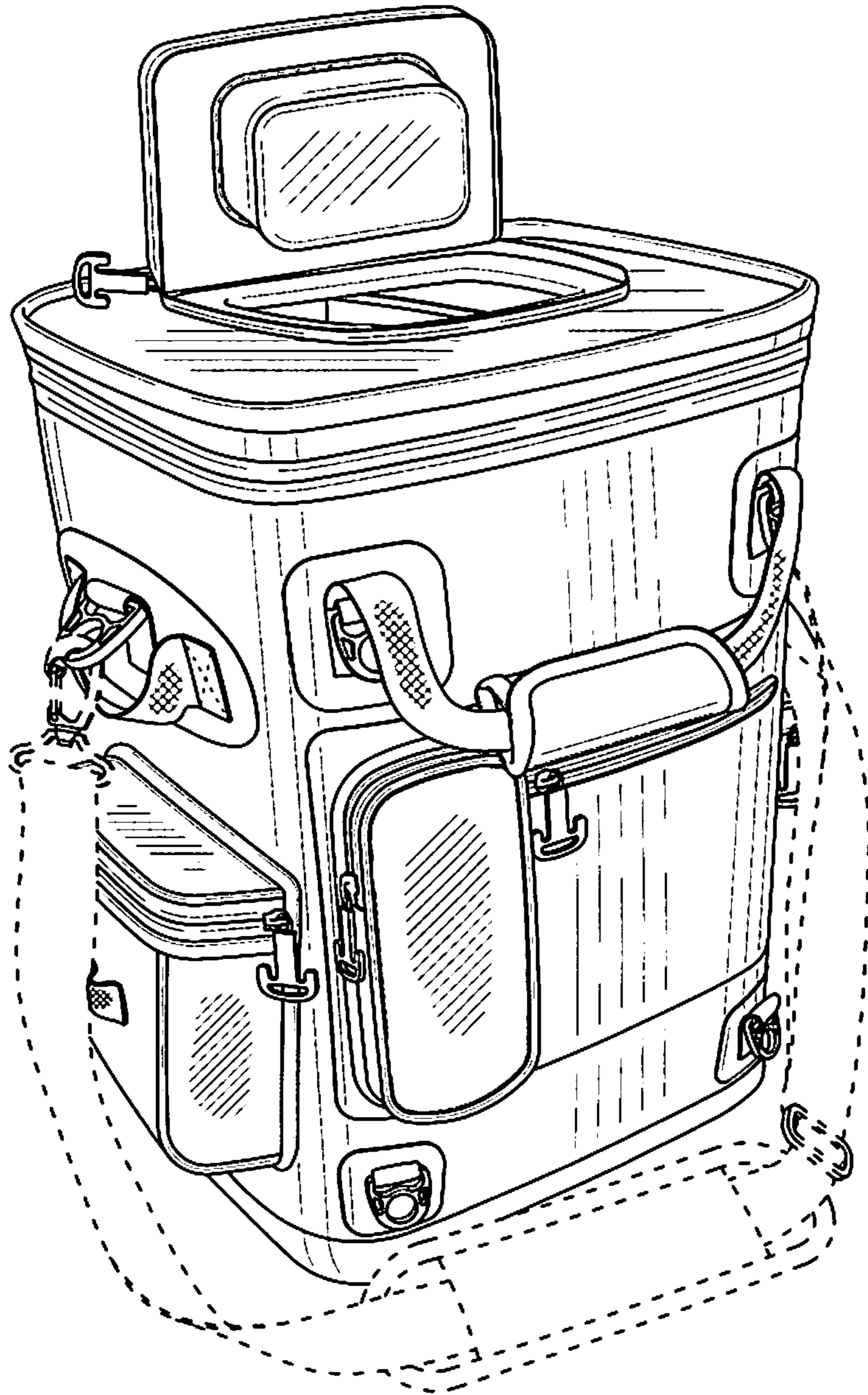


FIG. 10

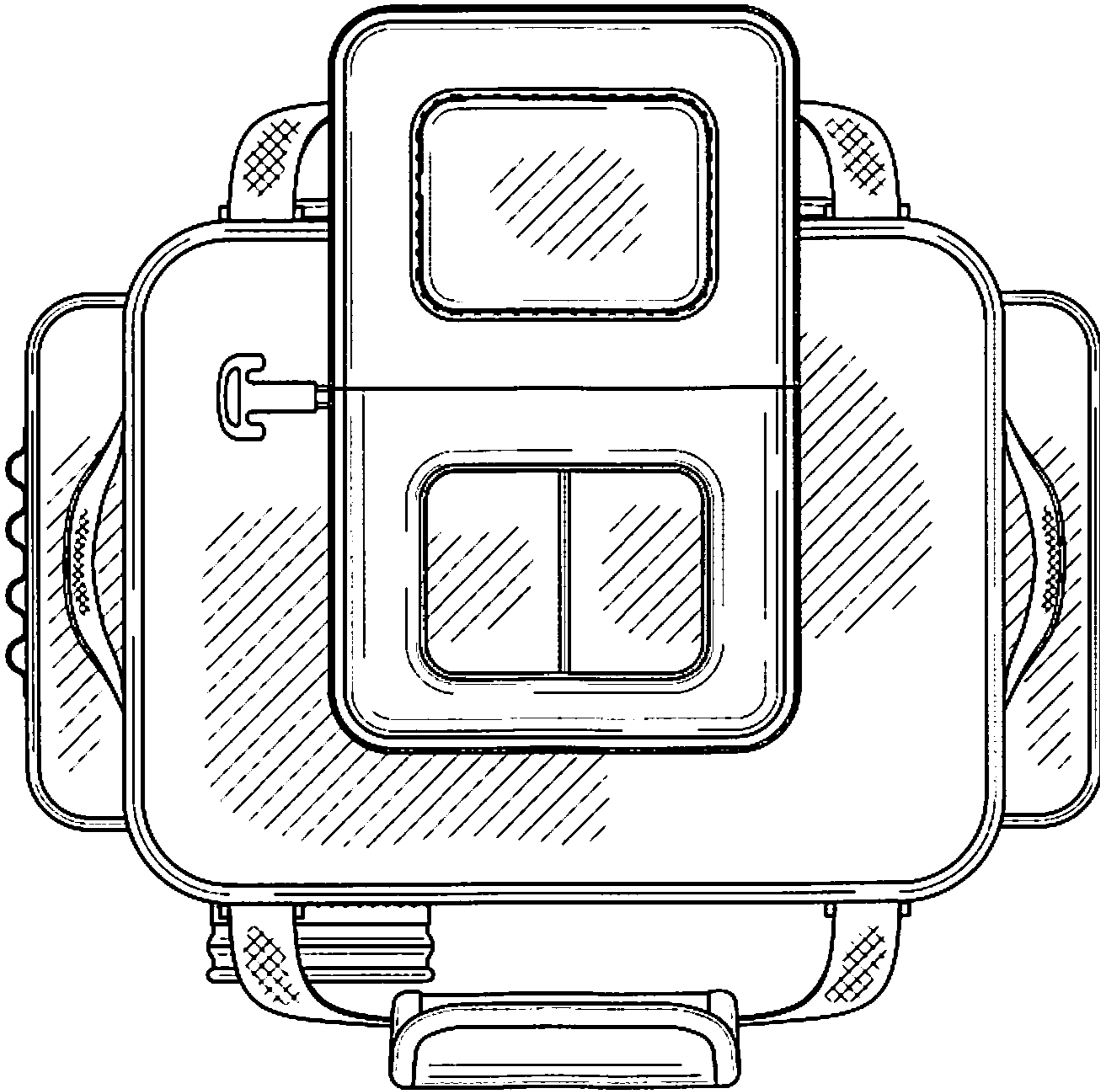


FIG. 11

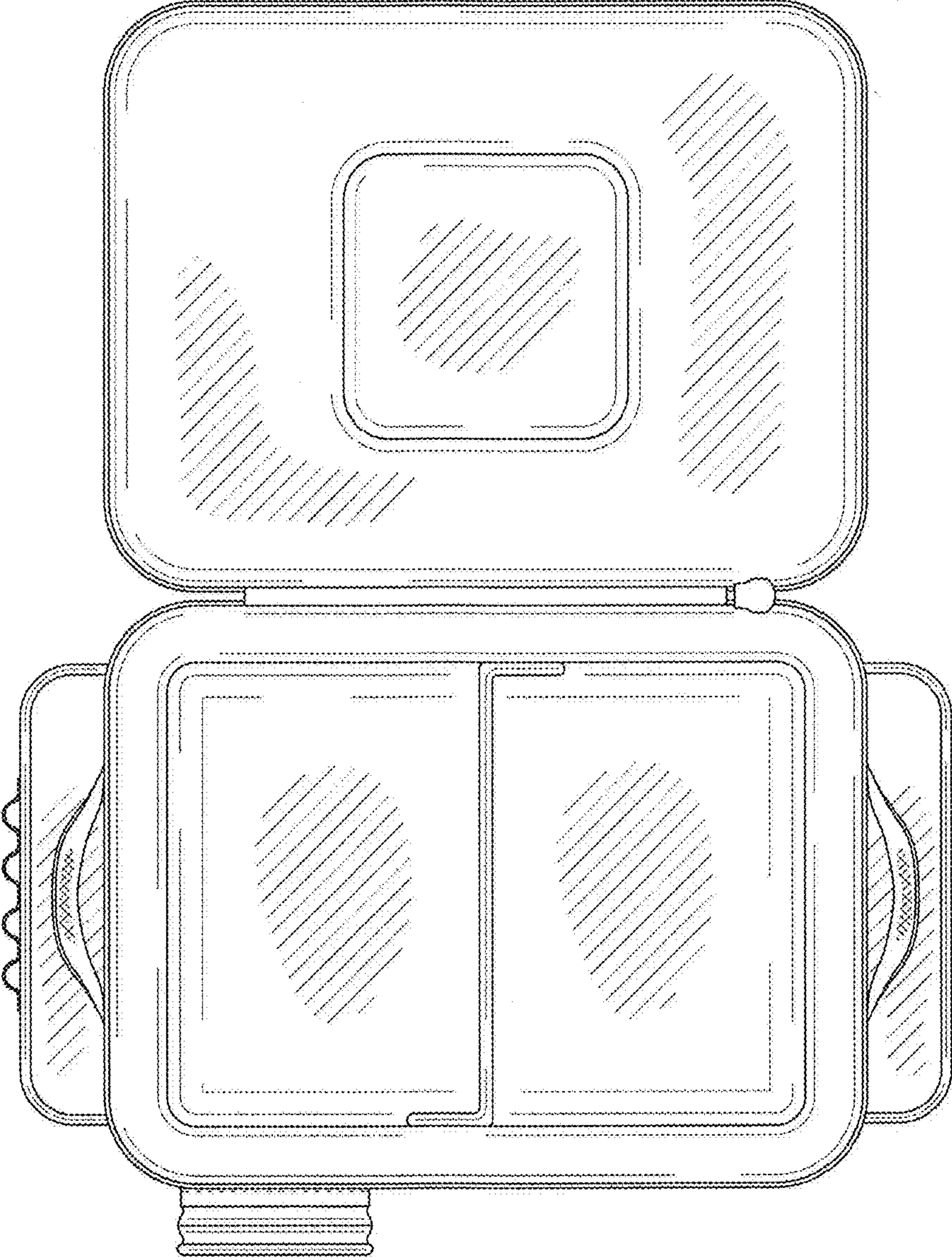


FIG. 12

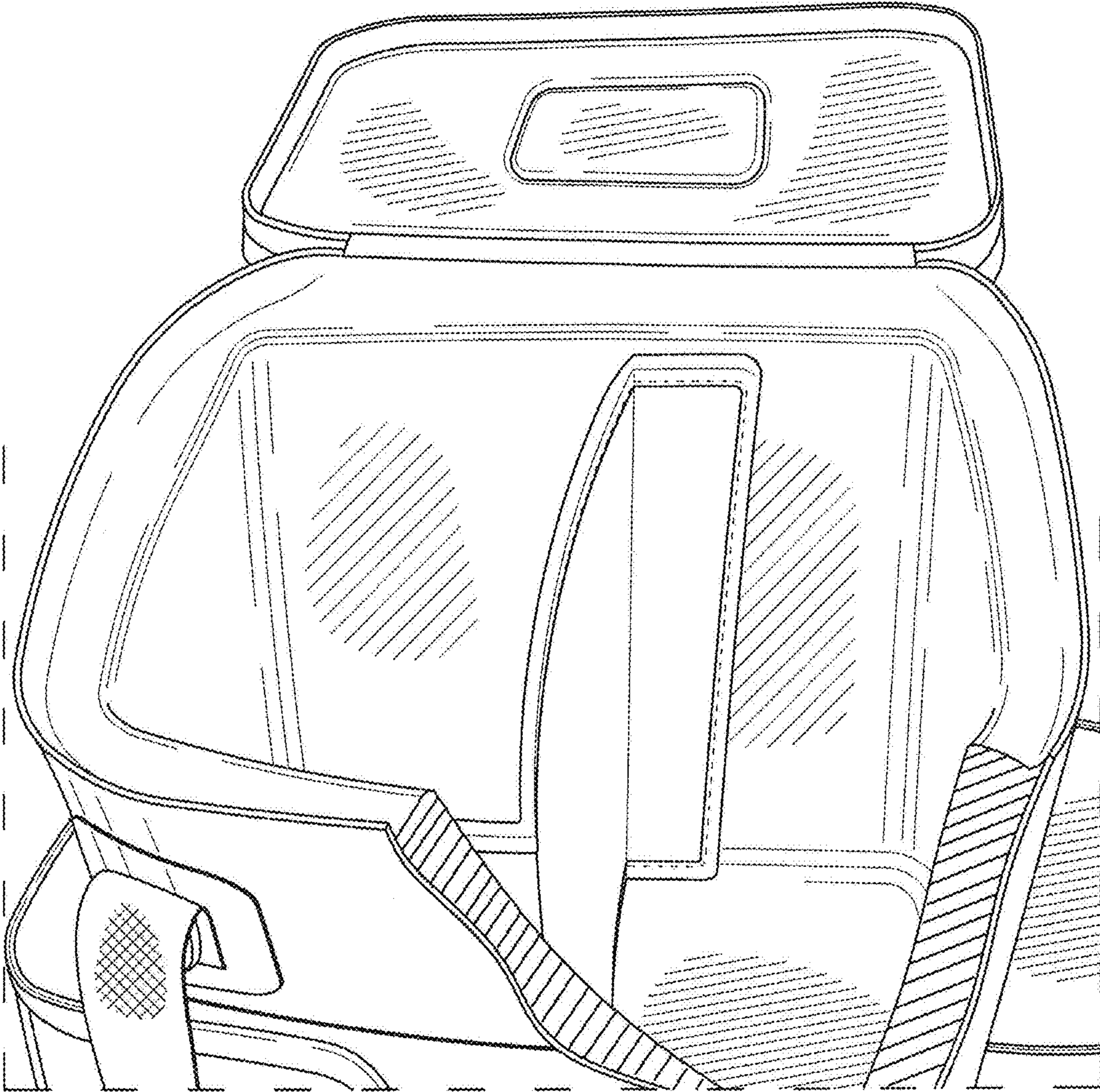


FIG. 13

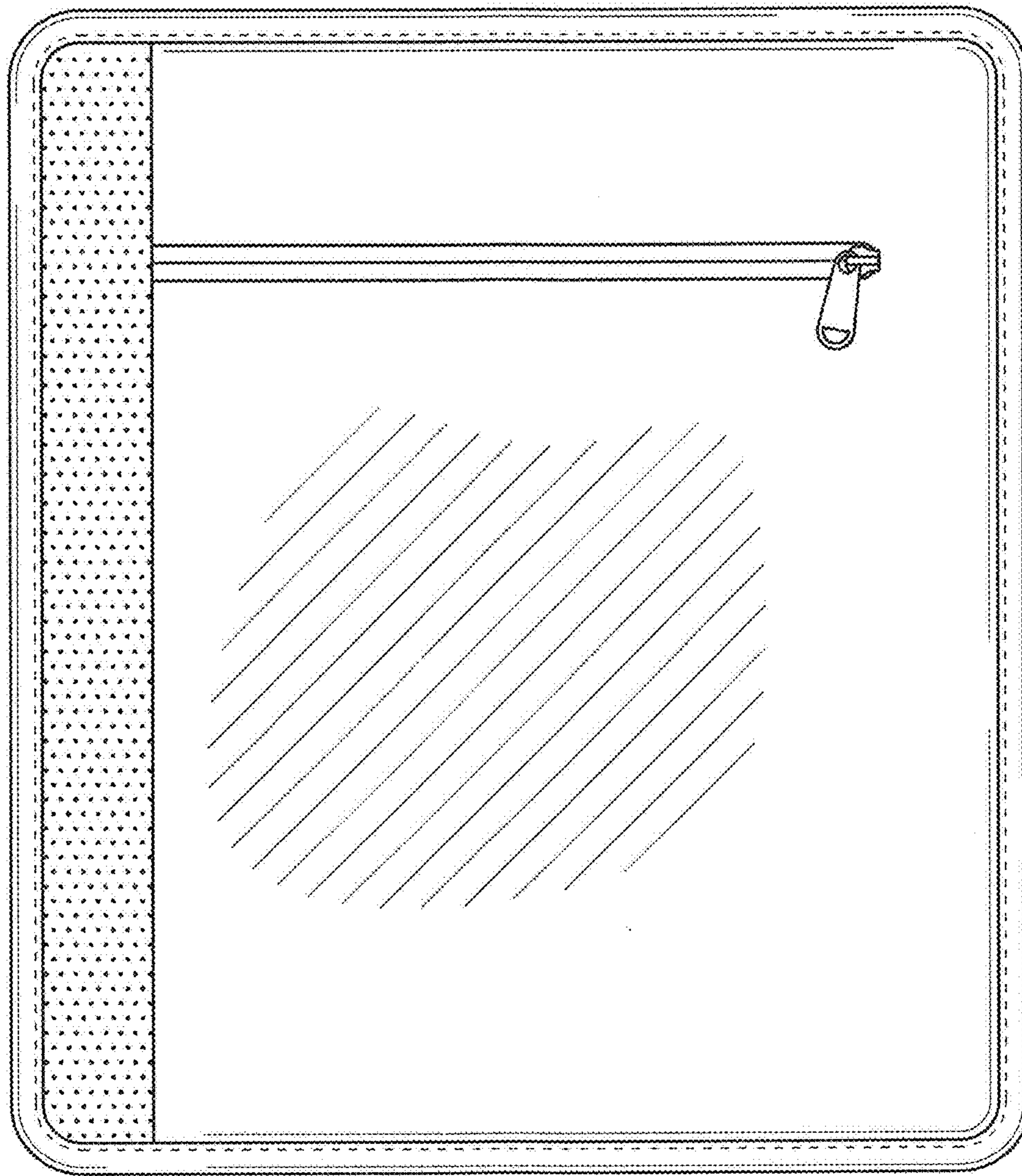


FIG. 14