



US00D974120S

(12) **United States Design Patent** (10) **Patent No.:** **US D974,120 S**  
**Ruiz et al.** (45) **Date of Patent:** **\*\* Jan. 3, 2023**

(54) **COOLER**

(71) Applicants: **Ricardo Ruiz**, Dallas, GA (US); **Mark Randall Pettett**, Marietta, GA (US)

(72) Inventors: **Ricardo Ruiz**, Dallas, GA (US); **Mark Randall Pettett**, Marietta, GA (US)

(\*\*) Term: **15 Years**

(21) Appl. No.: **29/733,209**

(22) Filed: **Apr. 30, 2020**

**Related U.S. Application Data**

(63) Continuation-in-part of application No. 15/730,391, filed on Oct. 11, 2017, now Pat. No. 10,696,318.

(51) **LOC (14) Cl.** ..... **07-01**

(52) **U.S. Cl.**  
USPC ..... **D7/605**

(58) **Field of Classification Search**  
USPC ..... D7/603-607; D3/201, 203.1-203.8, 205, D3/206, 279

CPC ..... F25D 3/08; F25D 3/02; F25D 3/04; F25D 3/06; F25D 3/14; F25D 3/107; F25D 2331/804; F25D 2331/801; B65D 81/38; B65D 81/3813; B65D 81/3816; B65D 81/3818; B65D 81/382; B65D 81/3823; B65D 81/3825; B65D 81/3827; B65D 81/383; B65D 81/3832; B65D 81/3834; B65D 81/3848; B65D 81/3851; B65D 81/3853; B65D 81/3855; B65D 81/3858; B65D 81/386; B65D 81/3862; B65D 81/3874; A45C 11/20; A45C 3/00; A45C 2003/008; B26B 1/18; B62B 2204/06; B62B 13/18; B62B 13/06; B62B 1/18; B62B 2202/52

See application file for complete search history.

(56) **References Cited**

**U.S. PATENT DOCUMENTS**

D328,689	S *	8/1992	Riskowski	.....	D15/83
D369,695	S *	5/1996	Imotani	.....	D6/686
6,182,462	B1 *	2/2001	Bania	.....	A45C 15/06 62/264
7,389,608	B1 *	6/2008	MacKay	.....	A01K 97/20 206/315.11
2005/0274726	A1	12/2005	Boggs et al.		
2011/0226003	A1	9/2011	Chaney et al.		
2013/0249176	A1	9/2013	Bengtzen		
2018/0015938	A1 *	1/2018	DeFrancia	.....	A45C 13/02

\* cited by examiner

*Primary Examiner* — Terry A Wallace

(74) *Attorney, Agent, or Firm* — Dickinson Wright, PLLC; Michael E. Noe, Jr.

(57) **CLAIM**

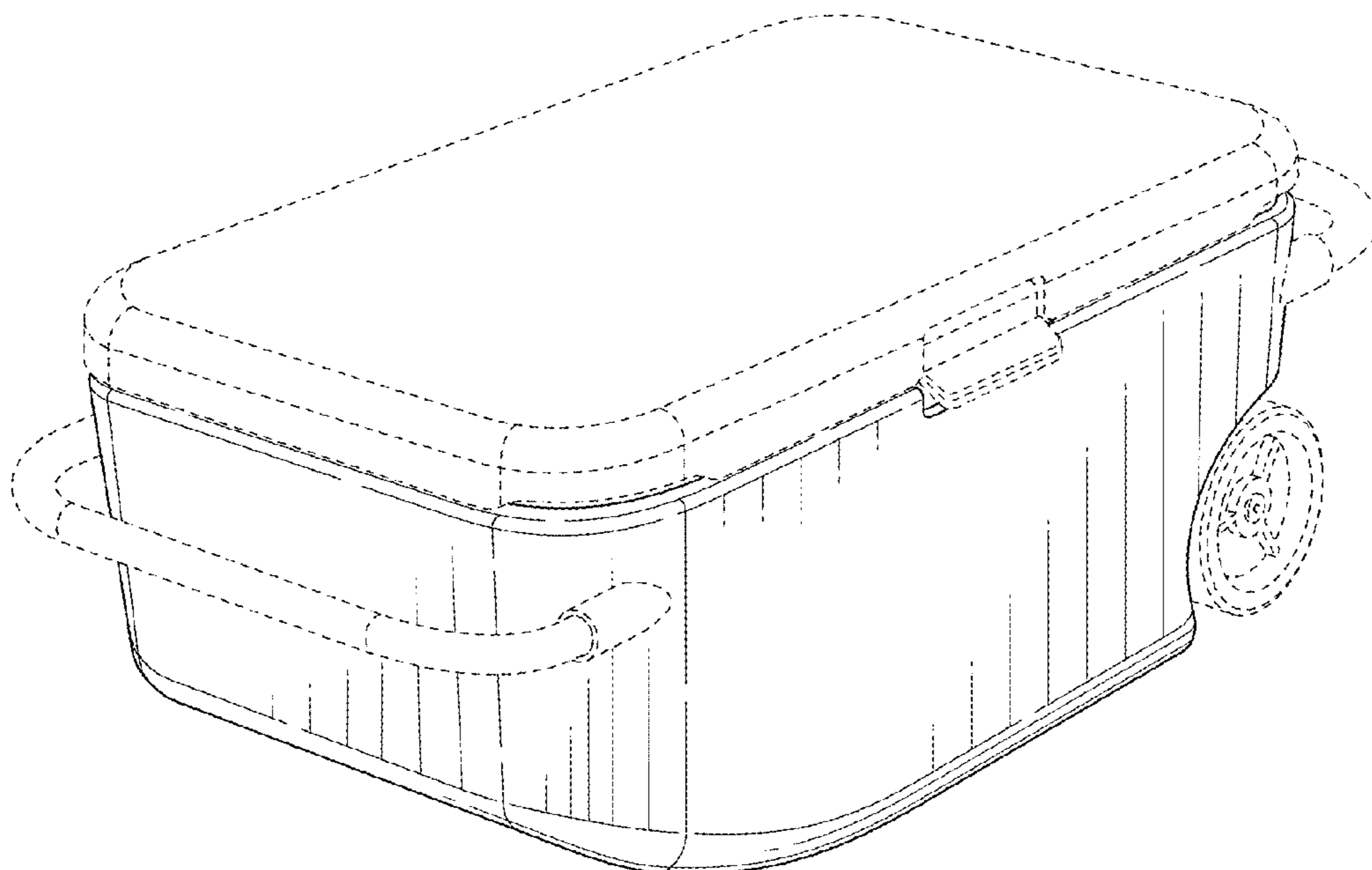
The ornamental design for a cooler, as shown and described.

**DESCRIPTION**

FIG. 1 is a top, front isometric view of a cooler.  
FIG. 2 is a left side view of the cooler of FIG. 1.  
FIG. 3 is a right side view of the cooler of FIG. 1.  
FIG. 4 is a front view of the cooler of FIG. 1.  
FIG. 5 is a rear view of the cooler of FIG. 1.  
FIG. 6 is a top view of the cooler of FIG. 1.  
FIG. 7 is a bottom view of the cooler of FIG. 1; and,  
FIG. 8 is bottom, rear isometric view of the cooler of FIG. 1.

The broken lines showing the handle, lid, wheels, hinges, and drainage spout are not part of the claimed design.

**1 Claim, 5 Drawing Sheets**



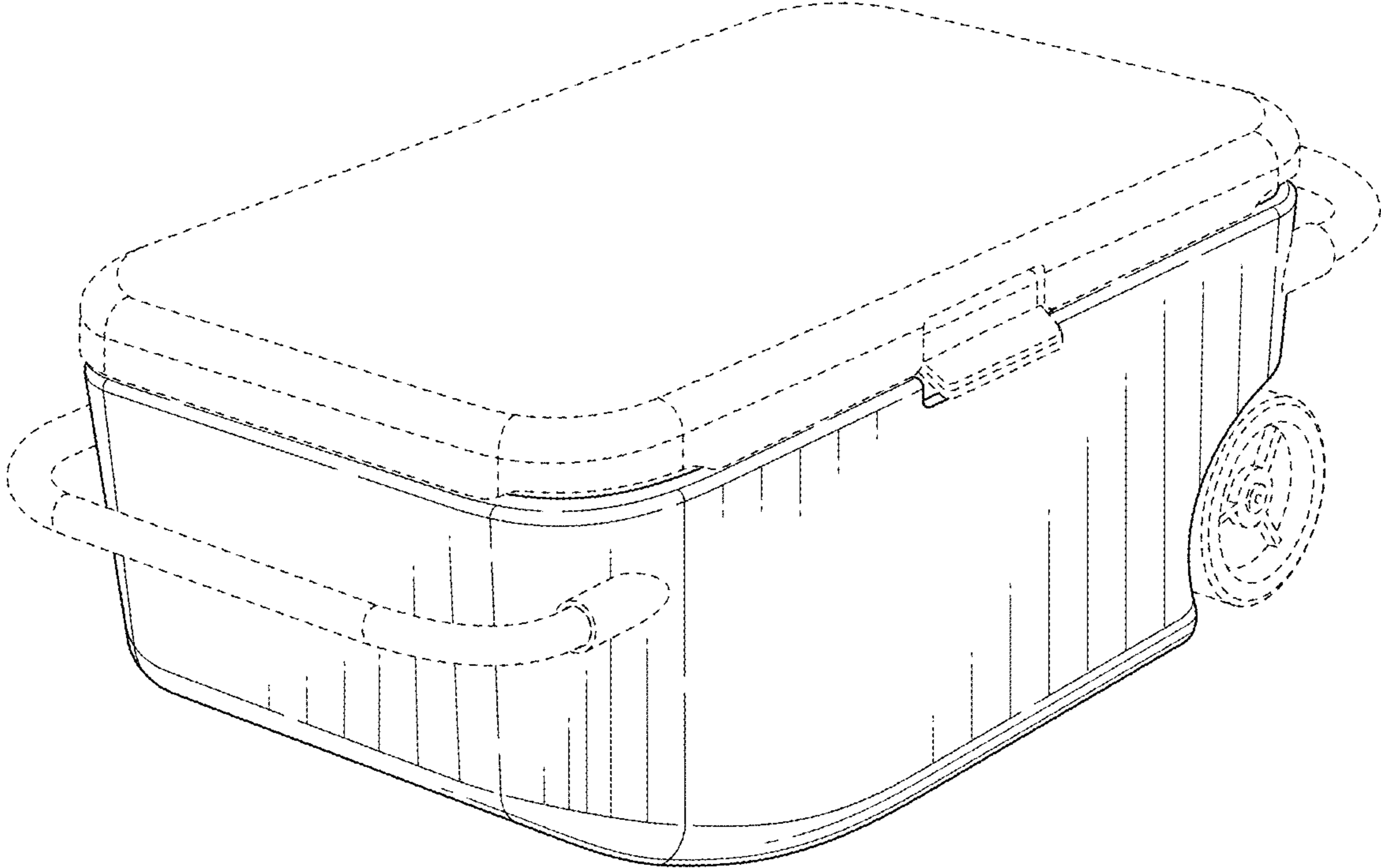


FIG. 1

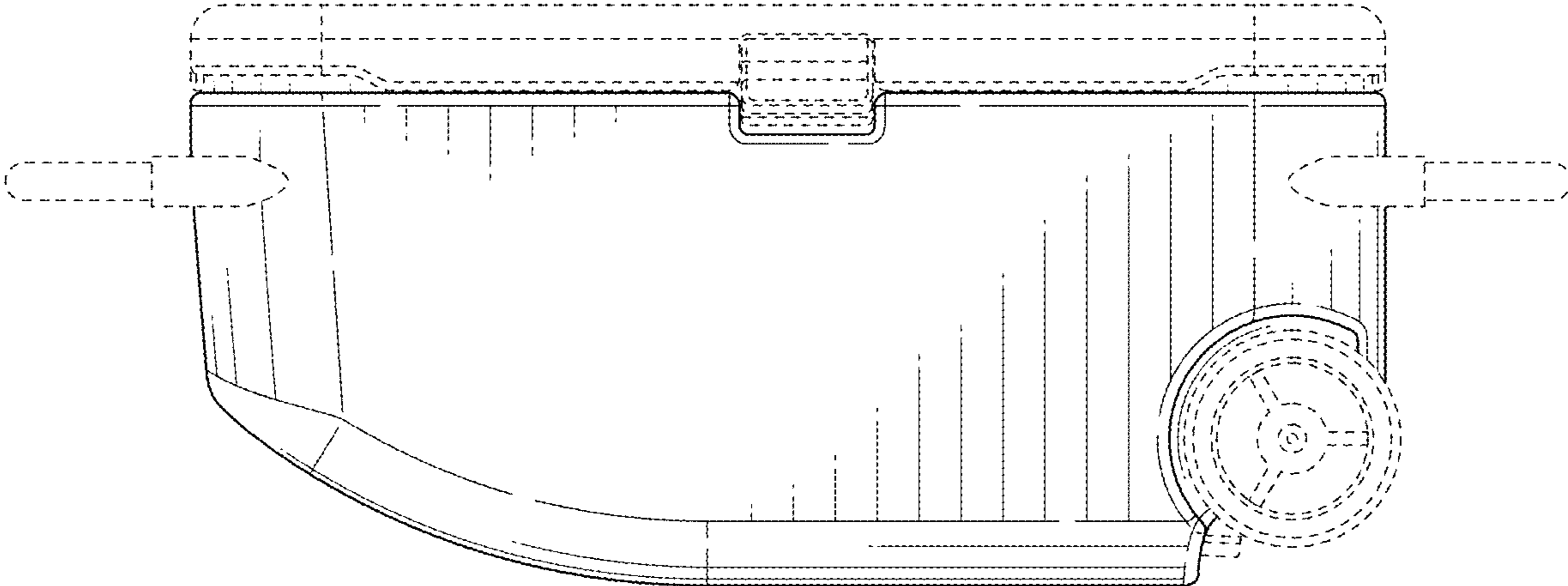


FIG. 2

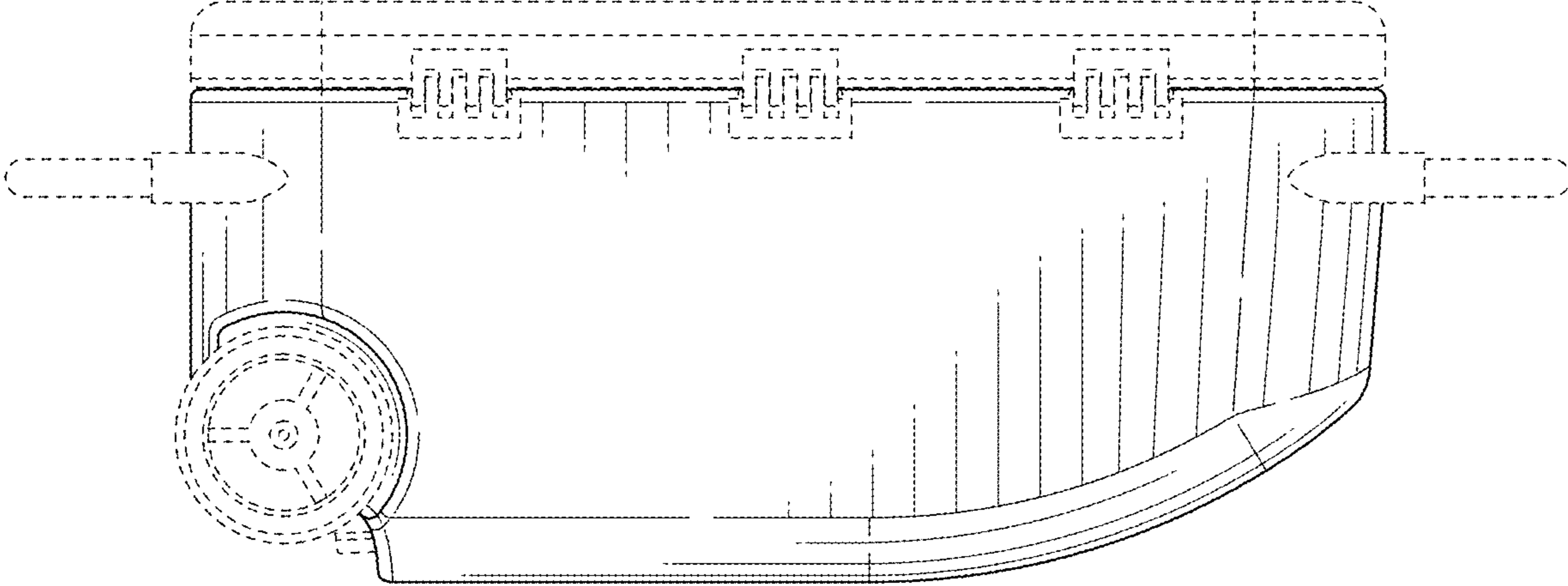


FIG. 3

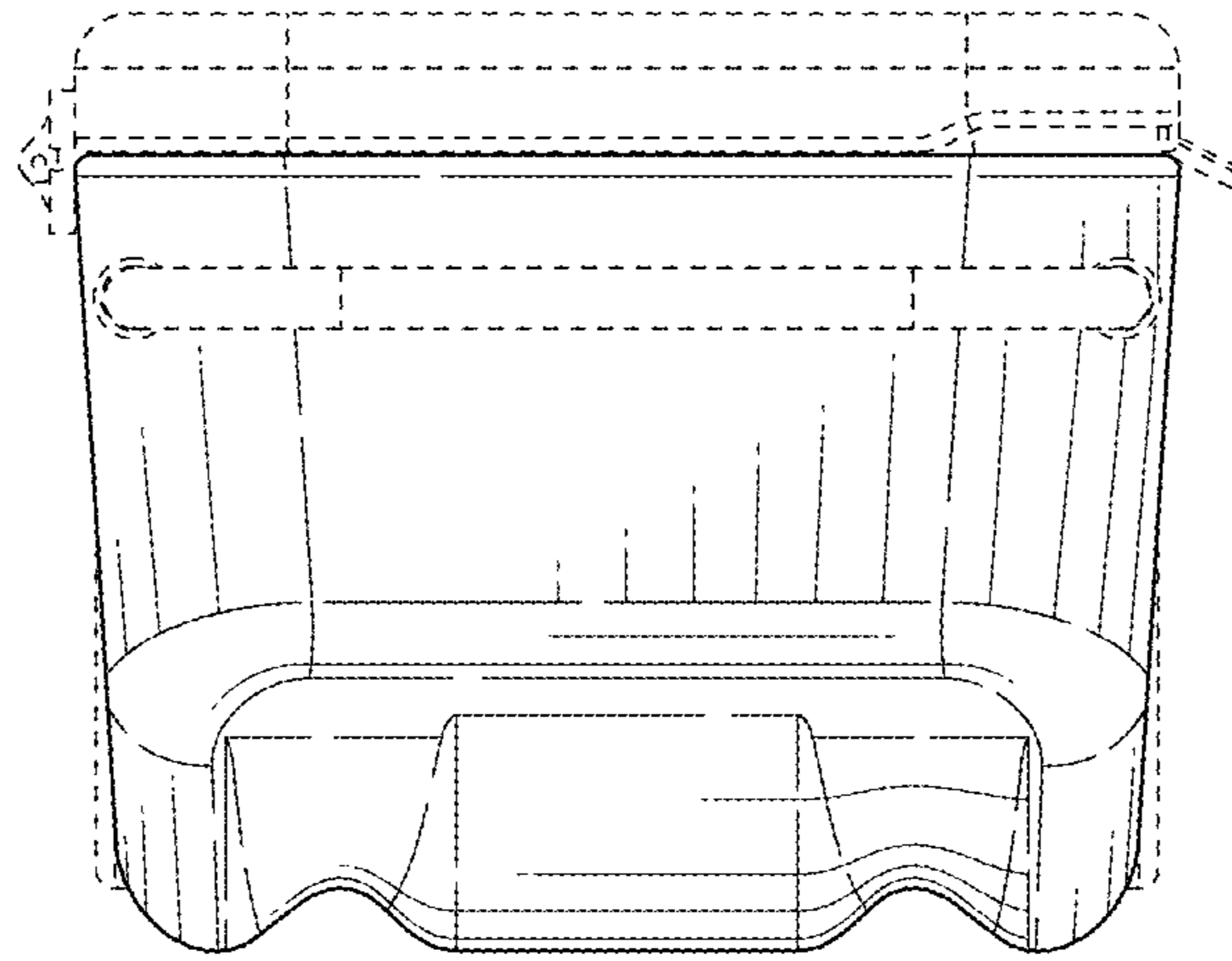


FIG. 4

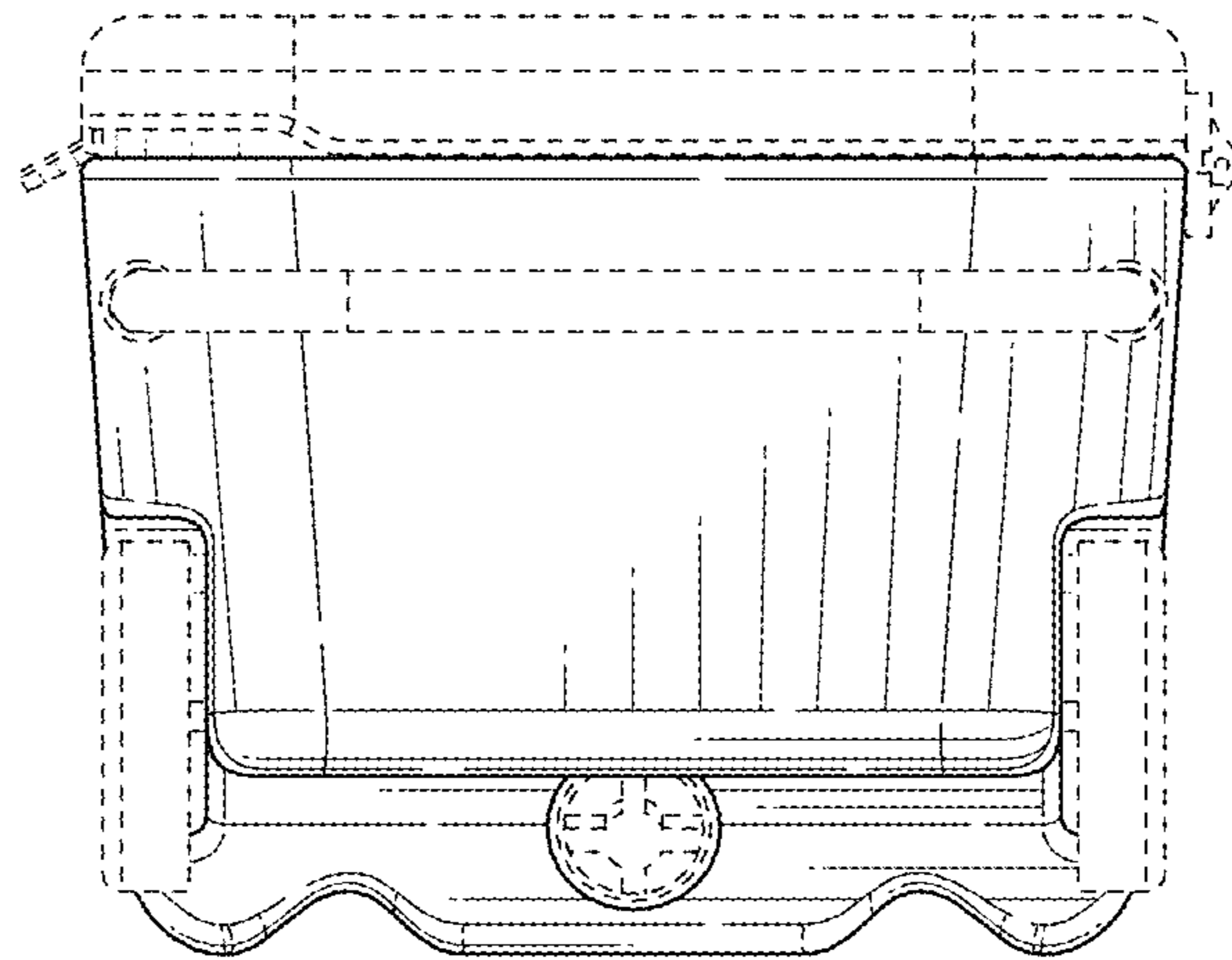


FIG. 5

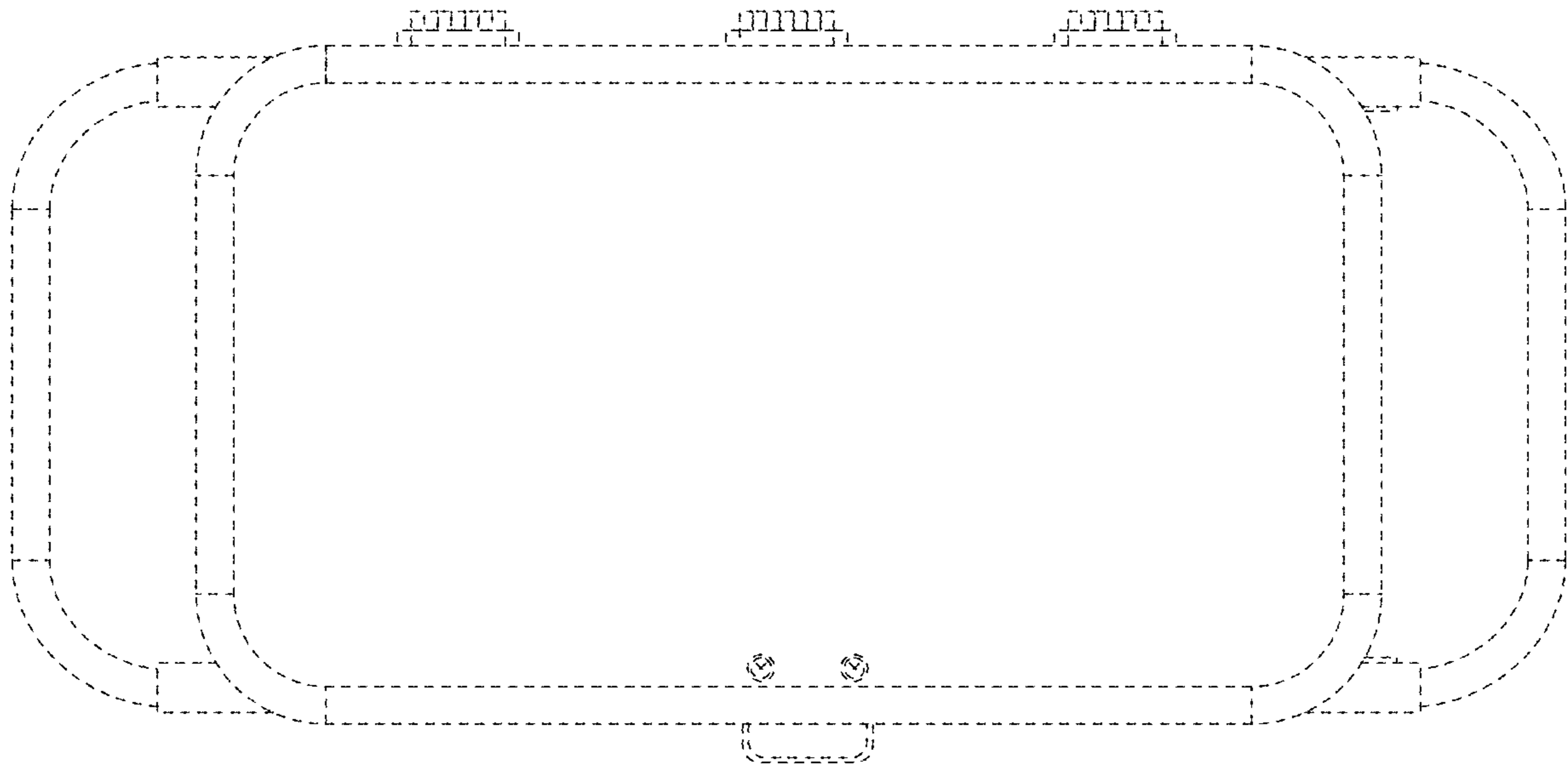


FIG. 6

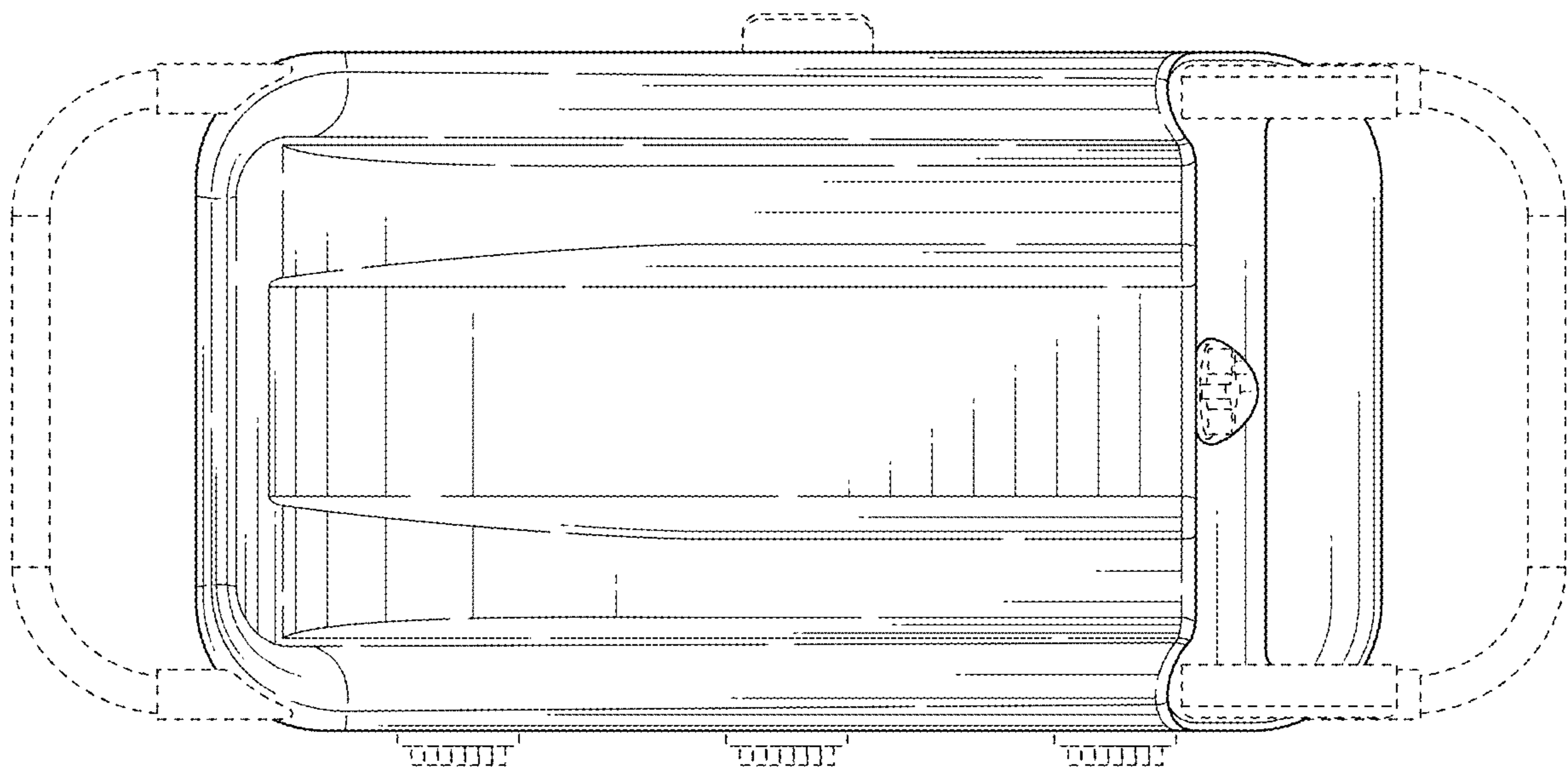


FIG. 7



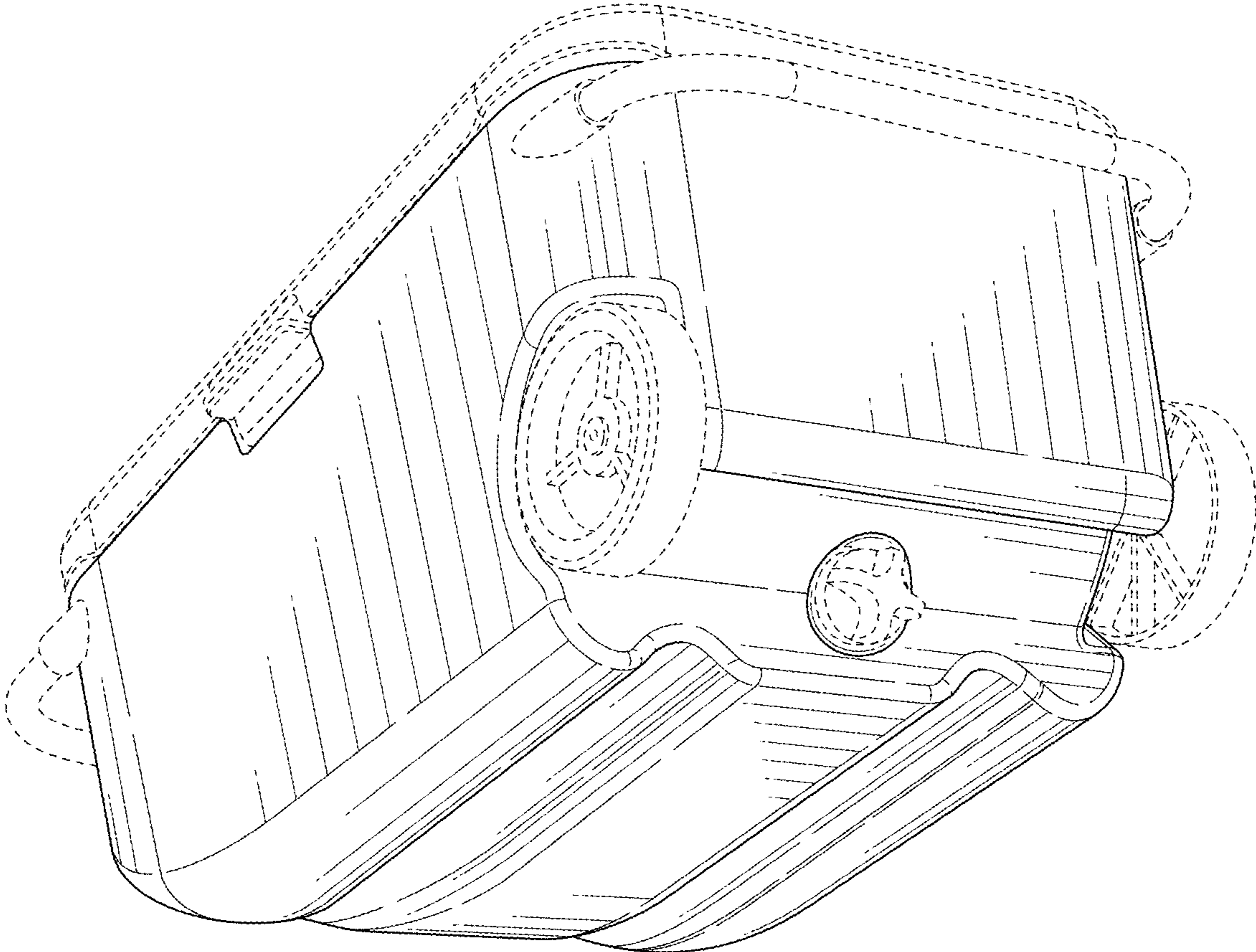


FIG. 8