



US00D974118S

(12) **United States Design Patent**  
**Randazzo**

(10) **Patent No.:** **US D974,118 S**  
(45) **Date of Patent:** **\*\* Jan. 3, 2023**

(54) **BEVERAGE CONTAINER WITH STRAP**

D646,045 S \* 9/2011 Stamper ..... D99/35  
D651,854 S \* 1/2012 Cabados ..... D7/532  
D726,018 S \* 4/2015 Archer ..... D9/446

(71) Applicant: **Marisa Randazzo**, Boynton Beach, FL  
(US)

(Continued)

(72) Inventor: **Marisa Randazzo**, Boynton Beach, FL  
(US)

**FOREIGN PATENT DOCUMENTS**

(\*\*) Term: **15 Years**

CN 307052811 \* 1/2022  
CN 307105807 \* 2/2022  
GB 6176951 \* 11/2021

(21) Appl. No.: **29/751,211**

**OTHER PUBLICATIONS**

(22) Filed: **Sep. 18, 2020**

Venture Pal [online] URL: [https://www.amazon.ca/Venture-Pal\\_Motivational-Throughout-Gallon-Green/dp/B087JPXS91](https://www.amazon.ca/Venture-Pal_Motivational-Throughout-Gallon-Green/dp/B087JPXS91) (site visited: Apr. 8, 2022) (Year: 2020).\*

(51) **LOC (14) Cl.** ..... **07-01**

(52) **U.S. Cl.**  
USPC ..... **D7/511**; D9/531

(Continued)

(58) **Field of Classification Search**

USPC ..... D7/507, 509, 510, 511, 533, 536, 392.1,  
D7/396.1, 396.2, 608, 603, 316, 619.1,  
D7/598, 600, 900, 361, 315, 319, 394,  
D7/334, 415, 399; D9/443, 449, 561,  
D9/545, 531; D3/202; D29/125, 126  
CPC ..... A47G 19/2205; A47G 23/16; A47G  
19/2272; A47J 41/00; A47J 41/02; A47J  
41/0088; A47J 41/0077; Y10S 220/903;  
B65D 21/02; B65D 43/00; B65D 41/00

*Primary Examiner* — Jae Liang  
*Assistant Examiner* — Tia Ruth-Renee Polidori  
(74) *Attorney, Agent, or Firm* — John Rizvi, P.A.

See application file for complete search history.

(57) **CLAIM**

I claim the ornamental design for a beverage container with strap, as shown and described.

(56) **References Cited**

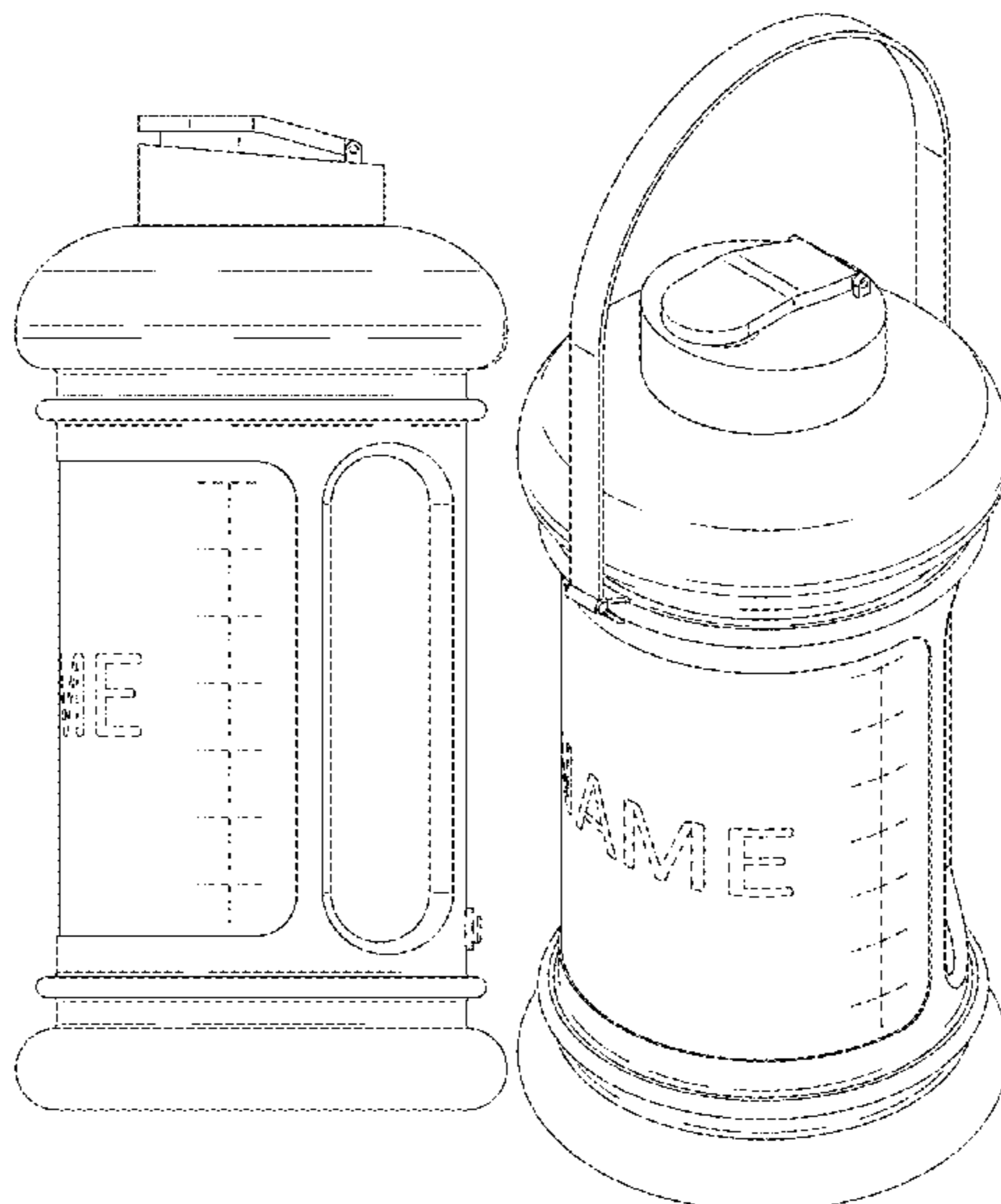
**DESCRIPTION**

**U.S. PATENT DOCUMENTS**

D321,936 S \* 11/1991 Donovan ..... D24/197  
D338,407 S \* 8/1993 Lynd ..... D9/531  
D400,401 S \* 11/1998 Lynd ..... D7/532  
D401,858 S \* 12/1998 Zebrowski ..... D9/531  
D412,847 S \* 8/1999 Wainberg ..... D9/531  
6,446,830 B1 \* 9/2002 Ocic ..... B65D 25/2885  
220/771  
D474,692 S \* 5/2003 Yu ..... D9/531  
D531,512 S \* 11/2006 Yu ..... D9/531  
D628,483 S \* 12/2010 McKinney ..... D9/449  
D634,095 S \* 3/2011 Messner ..... D9/453

FIG. 1 is a top perspective view of a beverage container with strap showing my new design, the strap of which is shown in a retracted orientation for clarity of disclosure; FIG. 2 is a front elevation view thereof; FIG. 3 is a rear elevation view thereof; FIG. 4 is a left side elevation view thereof; FIG. 5 is a right side elevation view thereof; FIG. 6 is a top plan view thereof; FIG. 7 is a bottom plan view thereof; FIG. 8 is a top perspective view thereof with the strap shown in an expanded orientation for clarity of disclosure; and, FIG. 9 is another top perspective view thereof. The portions of the beverage container with strap shown in broken lines form no part of the claimed design.

**1 Claim, 8 Drawing Sheets**



(56)

**References Cited**

U.S. PATENT DOCUMENTS

D745,799 S \* 12/2015 Lipson ..... D7/319  
D750,434 S \* 3/2016 Kirkpatrick ..... D9/531  
9,457,934 B1 \* 10/2016 Kirkpatrick ..... A47G 19/2266  
D788,583 S \* 6/2017 Tu ..... D9/434  
D793,164 S \* 8/2017 Charlton ..... D7/532  
D803,002 S \* 11/2017 Gretz ..... D9/531  
D805,846 S \* 12/2017 Kirkpatrick ..... D9/531  
D816,410 S \* 5/2018 Yu ..... D9/531  
D830,180 S \* 10/2018 Melkonian ..... D9/531  
D830,777 S \* 10/2018 Meyers ..... D9/531  
D872,534 S \* 1/2020 Peng ..... D7/532  
D881,647 S \* 4/2020 Wang ..... D9/531  
D890,575 S \* 7/2020 Wexler ..... G01F 19/00  
D7/589  
D912,518 S \* 3/2021 Peng ..... D9/531  
D948,342 S \* 4/2022 Wadsworth ..... D9/531  
D951,713 S \* 5/2022 Qiu ..... D7/510  
D954,502 S \* 6/2022 Wu ..... D7/510  
D955,817 S \* 6/2022 Hao ..... D7/510

OTHER PUBLICATIONS

ZDZDZ [online] URL: <https://www.amazon.com/dp/B09MTCFWYY/>  
(site visited: Apr. 8, 2022) (Year: 2021).\*

\* cited by examiner

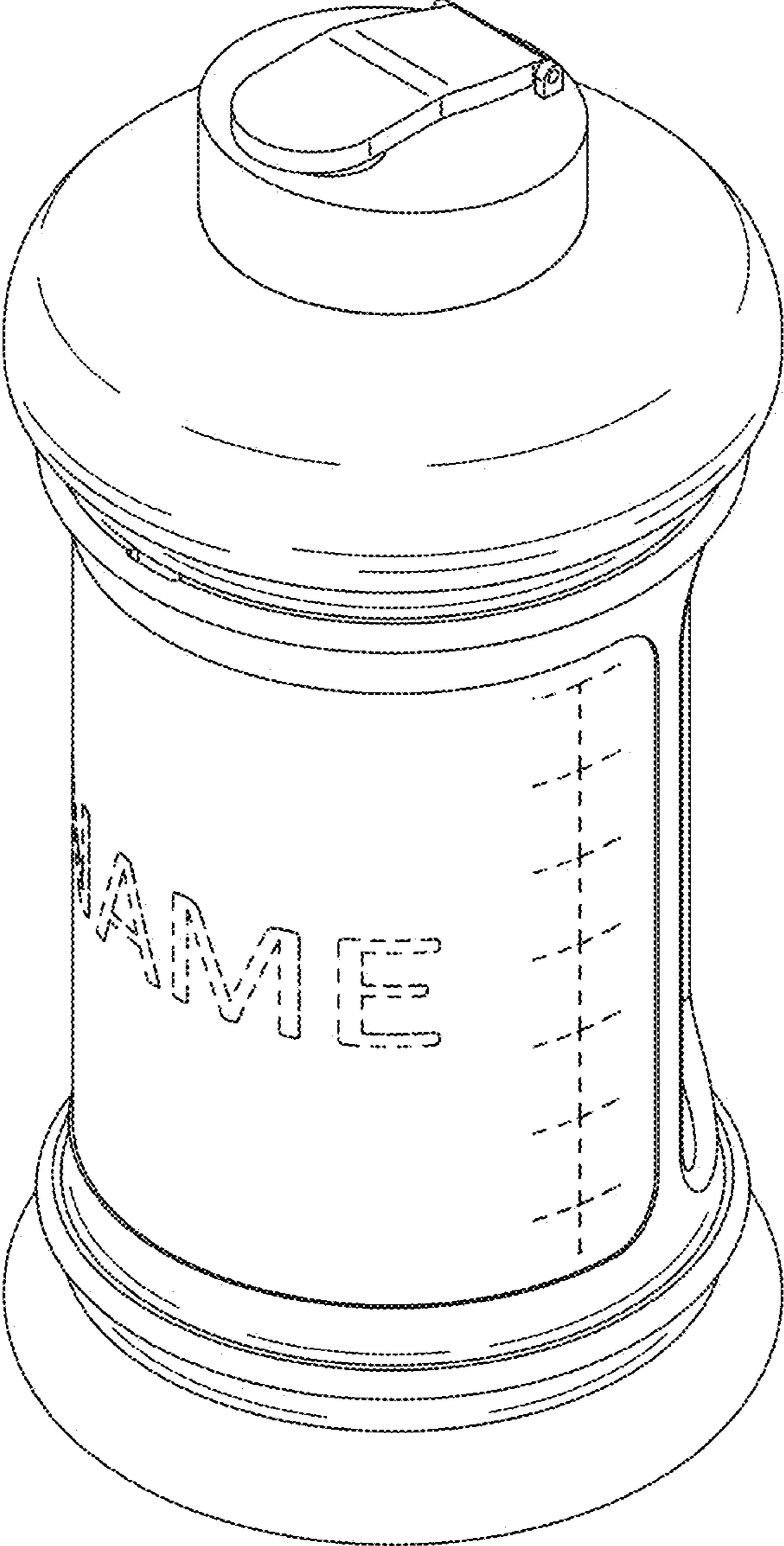


FIG. 1

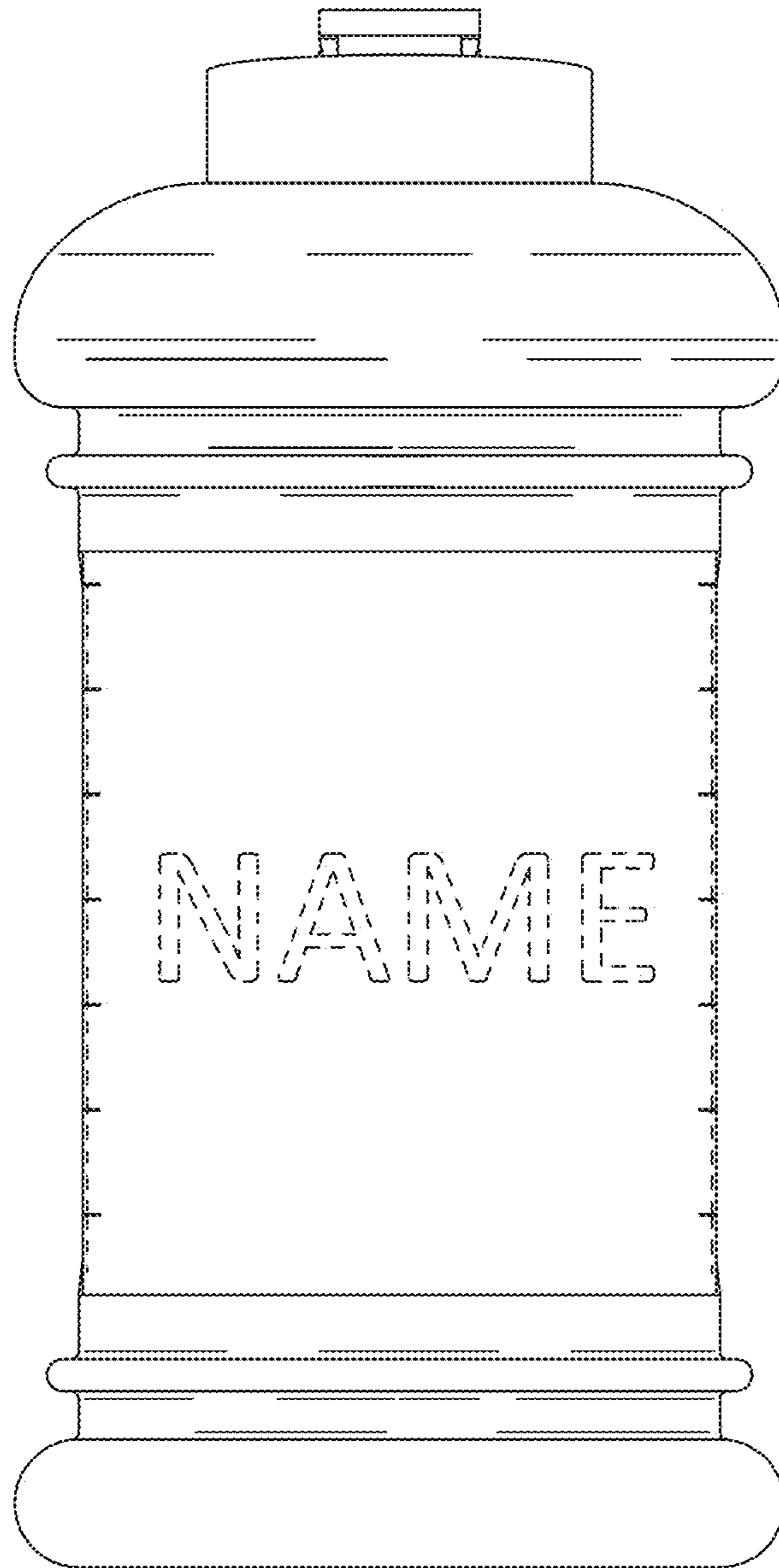


FIG. 2

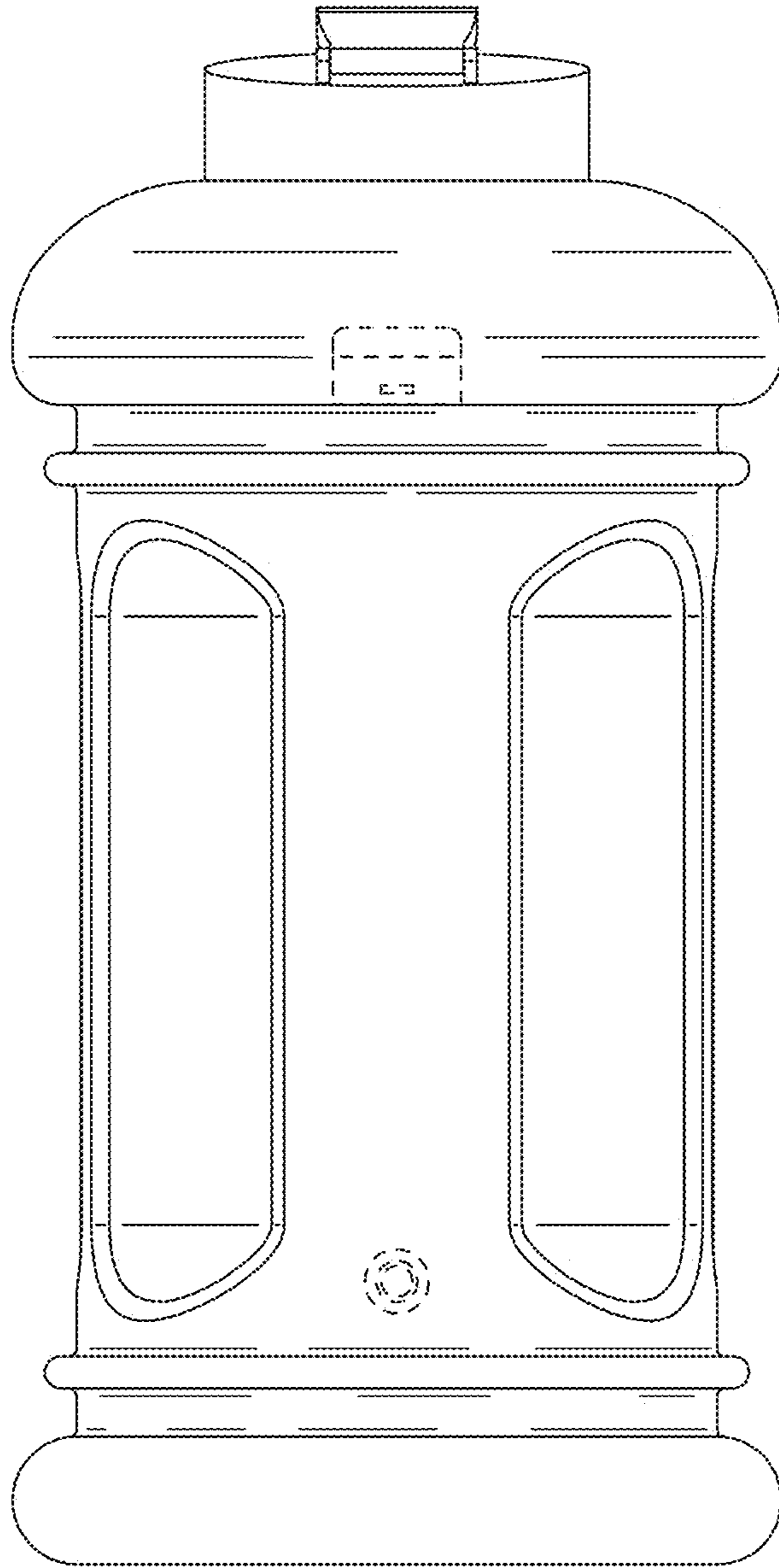


FIG. 3

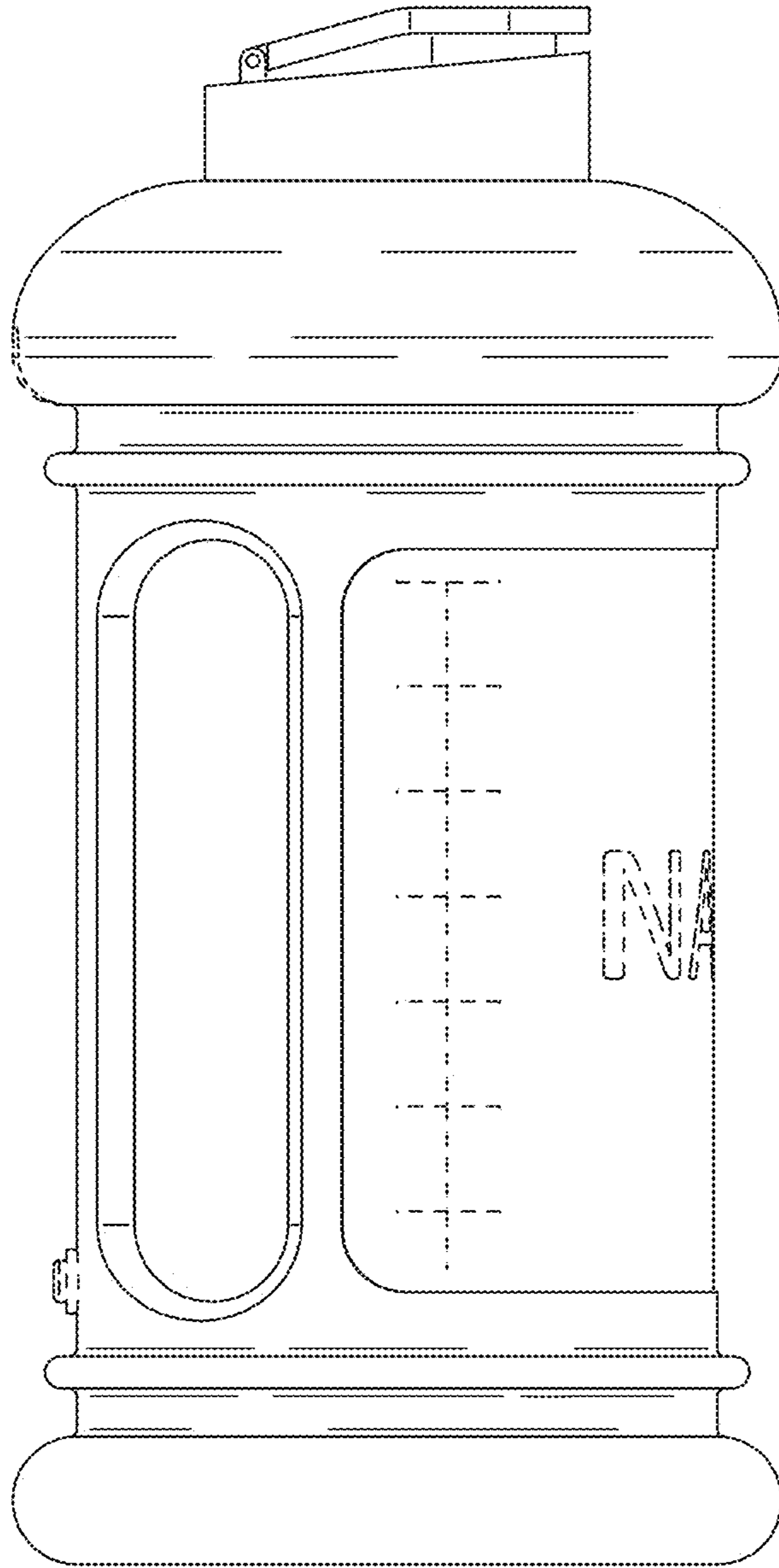


FIG. 4

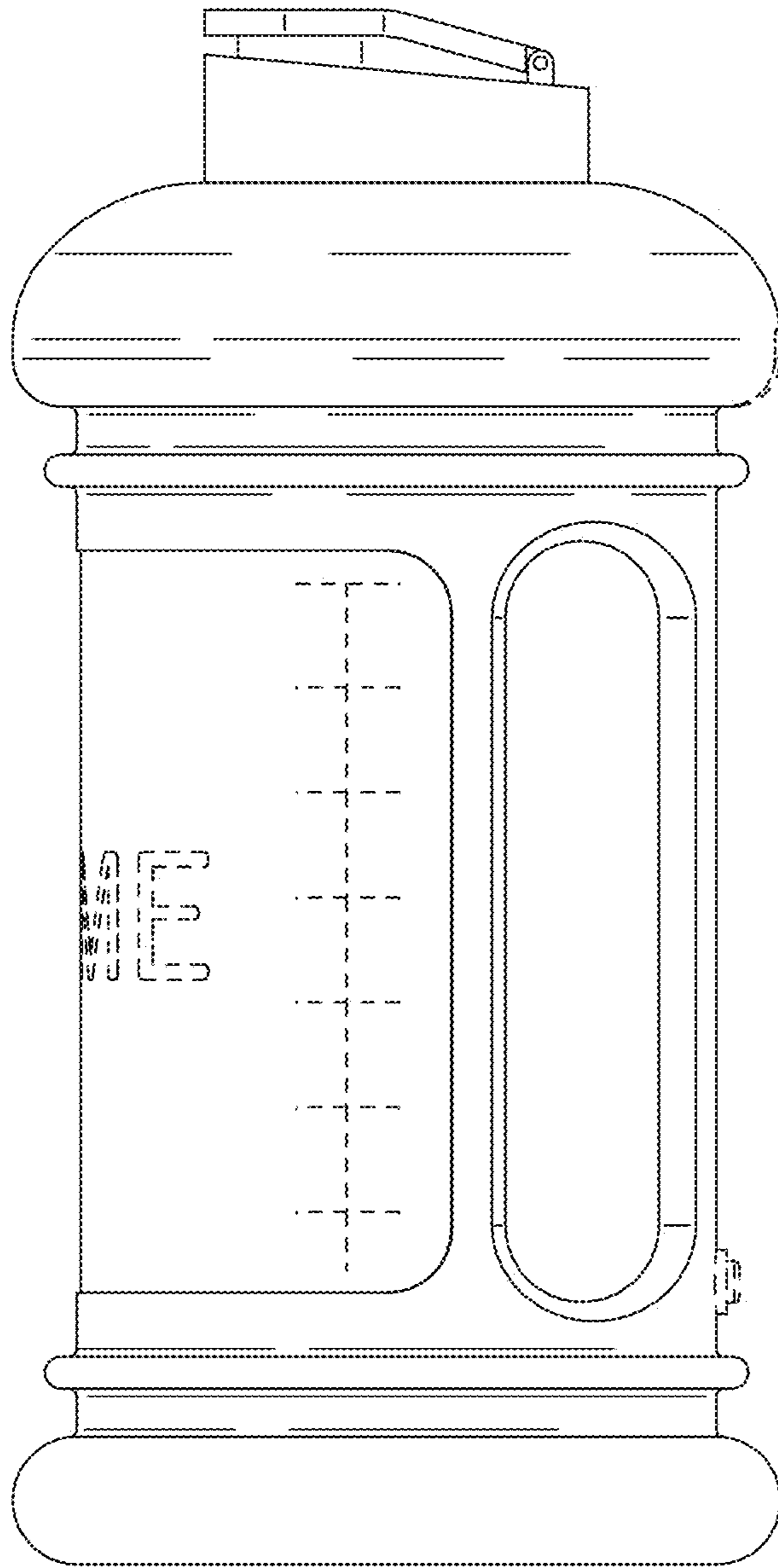


FIG. 5

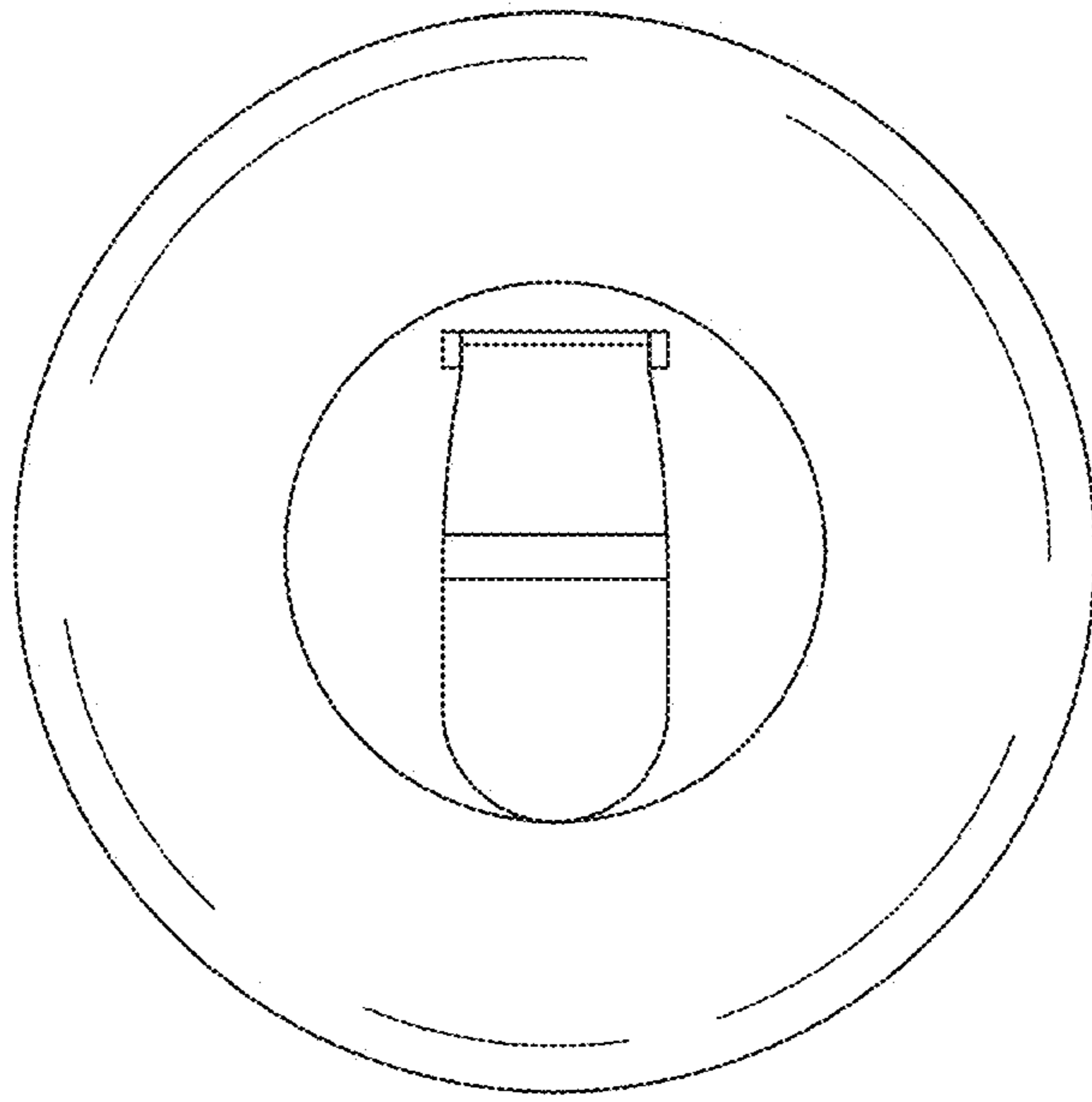


FIG. 6

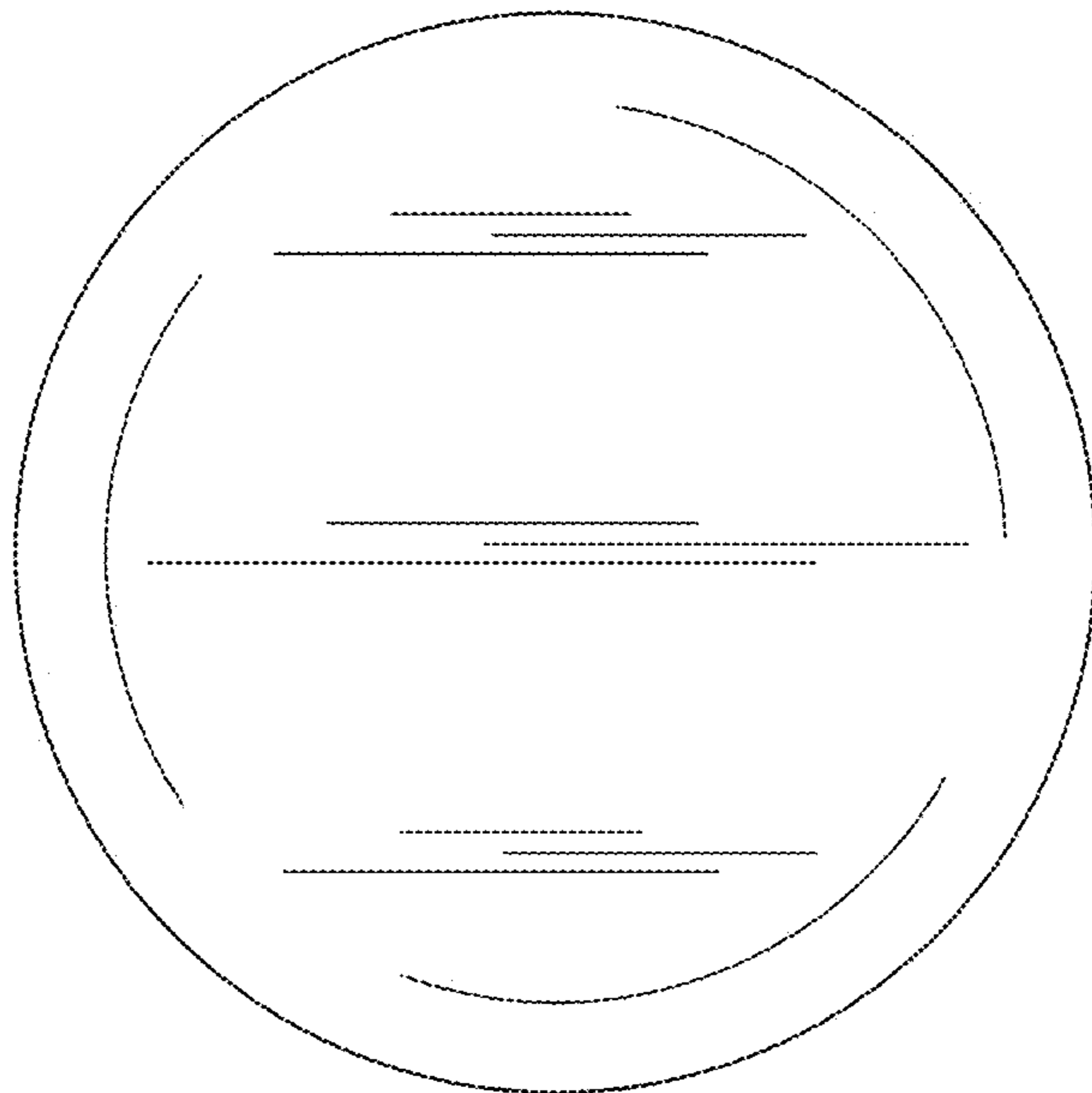


FIG. 7



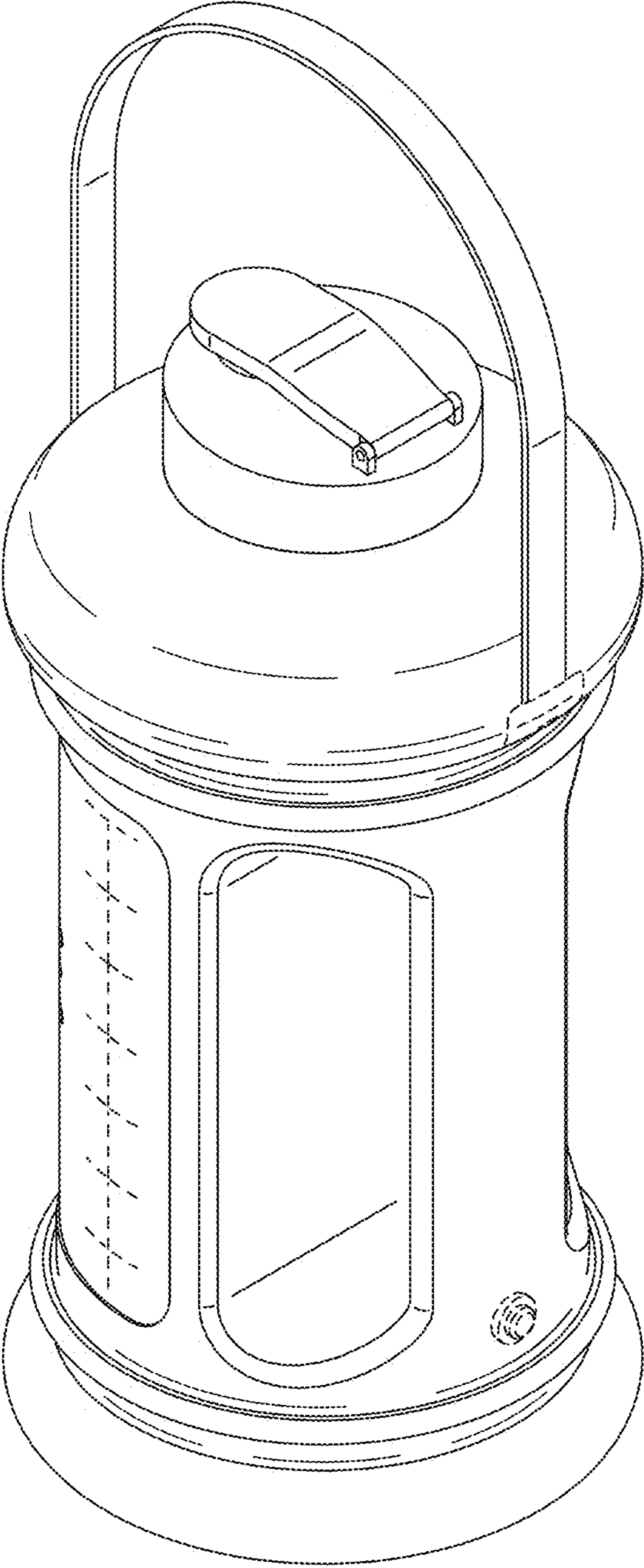


FIG. 8

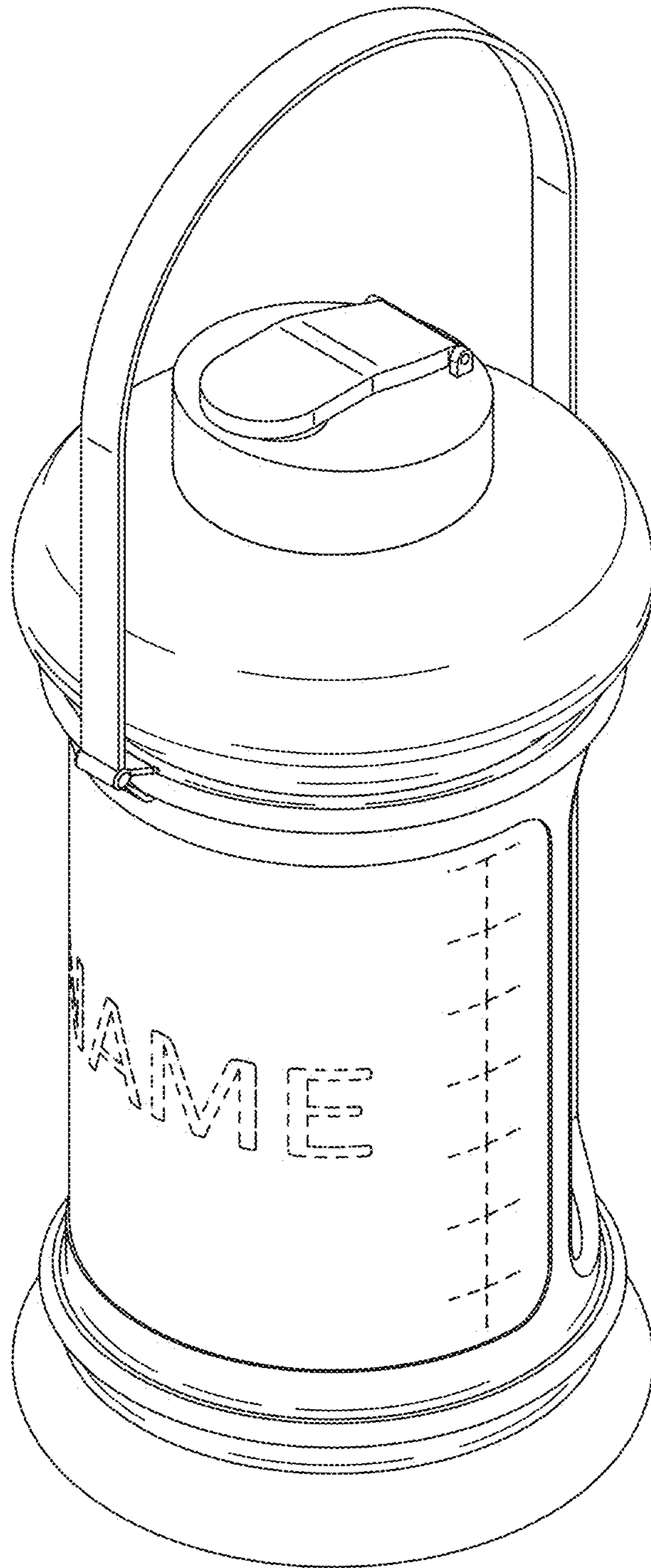


FIG. 9