



US00D974117S

(12) **United States Design Patent** (10) **Patent No.:** **US D974,117 S**
Lin (45) **Date of Patent:** **** Jan. 3, 2023**

(54) **WATER BOTTLE**
(71) Applicant: **Fuzhou feibao electronic commerce co., LTD**, Fujian (CN)

D922,135 S * 6/2021 Chen D7/392.1
D933,425 S 10/2021 Hao
D941,092 S * 1/2022 Roberts D7/529
D954,503 S * 6/2022 Lu D7/529
(Continued)

(72) Inventor: **Zichi Lin**, Fujian Province (CN)

FOREIGN PATENT DOCUMENTS

(*) Notice: Patent file contains an affidavit/declaration under 37 CFR 1.130(b).

CN 306214317 * 12/2020
CN 306557213 * 5/2021

(**) Term: **15 Years**

(Continued)

(21) Appl. No.: **29/816,676**

OTHER PUBLICATIONS

(22) Filed: **Nov. 23, 2021**

Amiter [online] URL: <https://www.amazon.com/Bottle-AMITER-Reusable-Drinking-Leakproof/dp/B09KY2FHWW> (site visited: Jul. 11, 2022) (Year: 2021).*

(51) **LOC (14) Cl.** **07-01**

(52) **U.S. Cl.**
USPC **D7/510; D7/532; D7/530**

(Continued)

(58) **Field of Classification Search**
USPC D7/507, 523, 509, 510, 511, 392.1, D7/396.1, 396.2, 608, 900, 531, 543, D7/300.1, 378; D3/202
CPC . A47G 19/2205; A47G 19/2272; A47J 41/00; Y10S 220/903; B65D 43/00
See application file for complete search history.

Primary Examiner — Jae Liang
Assistant Examiner — Tia Ruth-Renee Polidori

(57) **CLAIM**

The ornamental design for a water bottle, as shown and described.

(56) **References Cited**

DESCRIPTION

U.S. PATENT DOCUMENTS

D266,815 S * 11/1982 Durand D7/530
D272,116 S * 1/1984 Durand D7/530
D360,338 S * 7/1995 Westgerdes D7/510
D449,963 S * 11/2001 Neal D7/531
D561,036 S * 2/2008 Boon D9/551
D572,078 S * 7/2008 Bhavnani D7/392.1
D652,254 S * 1/2012 Dancsecs D7/510
D698,656 S * 2/2014 Fleischhacker D9/555
D701,427 S * 3/2014 Edmund D7/624.2
D792,155 S * 7/2017 Stover D7/532
D803,623 S * 11/2017 Bodum D7/532
D843,787 S * 3/2019 Bo D7/530
D859,079 S * 9/2019 Boroski D7/532
D866,257 S * 11/2019 Smiedt D7/510
D899,192 S * 10/2020 Yu D7/510

FIG. 1 is a front and top perspective view of a water bottle, showing my new design;
FIG. 2 is a front elevation view thereof;
FIG. 3 is a rear elevation view thereof;
FIG. 4 is a left side elevation view thereof;
FIG. 5 is a right side elevation view thereof;
FIG. 6 is a top plan view thereof;
FIG. 7 is a bottom plan view thereof; and,
FIG. 8 is another perspective view thereof, shown in an alternative position.
The broken lines in the figures illustrate portions of the water bottle that form no part of the claimed design.

1 Claim, 8 Drawing Sheets



(56)

References Cited

U.S. PATENT DOCUMENTS

2015/0164255 A1* 6/2015 Coon B65D 43/16
220/254.1

FOREIGN PATENT DOCUMENTS

CN 306668282 * 7/2021
CN 306719256 * 7/2021

OTHER PUBLICATIONS

Elemental Kitchen Store [online] URL: <https://www.amazon.com/dp/B09CCYXKKQ> (site visited: Jul. 11, 2022) (Year: 2021).*

Hawson [online] URL: <https://www.amazon.com/dp/B097RMCCD6> (site visited: Jul. 11, 2022) (Year: 2021).*

Lucky Bottle [online] URL: <https://www.walmart.com/ip/Apmemiss-Wholesale-Drink-Cup-Large-Capacity-Straw-Cup-Cute-Student-Portable-Handy-Cup-Plastic-Cup/1183351899> (site visited: Jul. 11, 2022) (Year: 2022).*

* cited by examiner

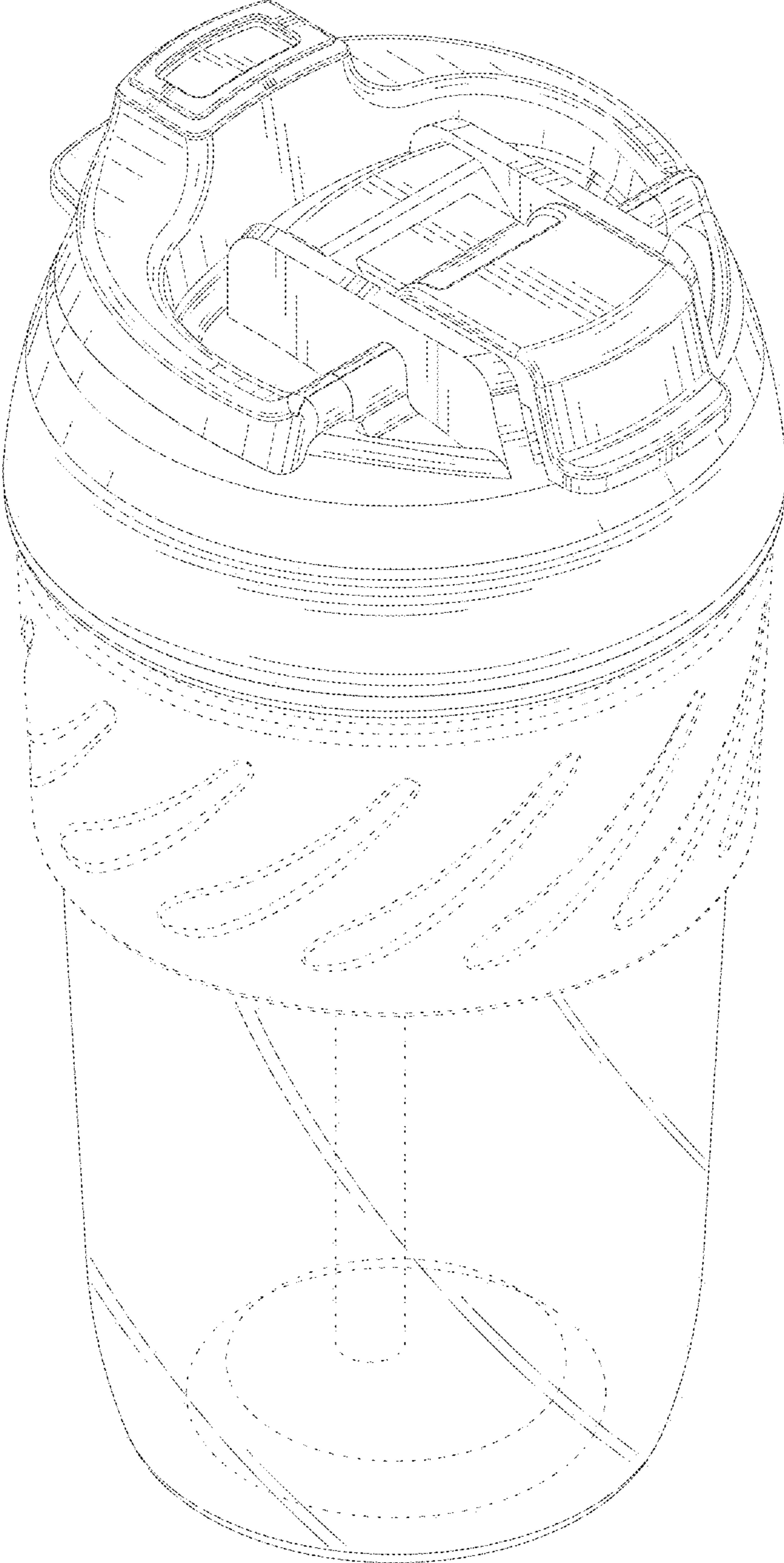


FIG. 1

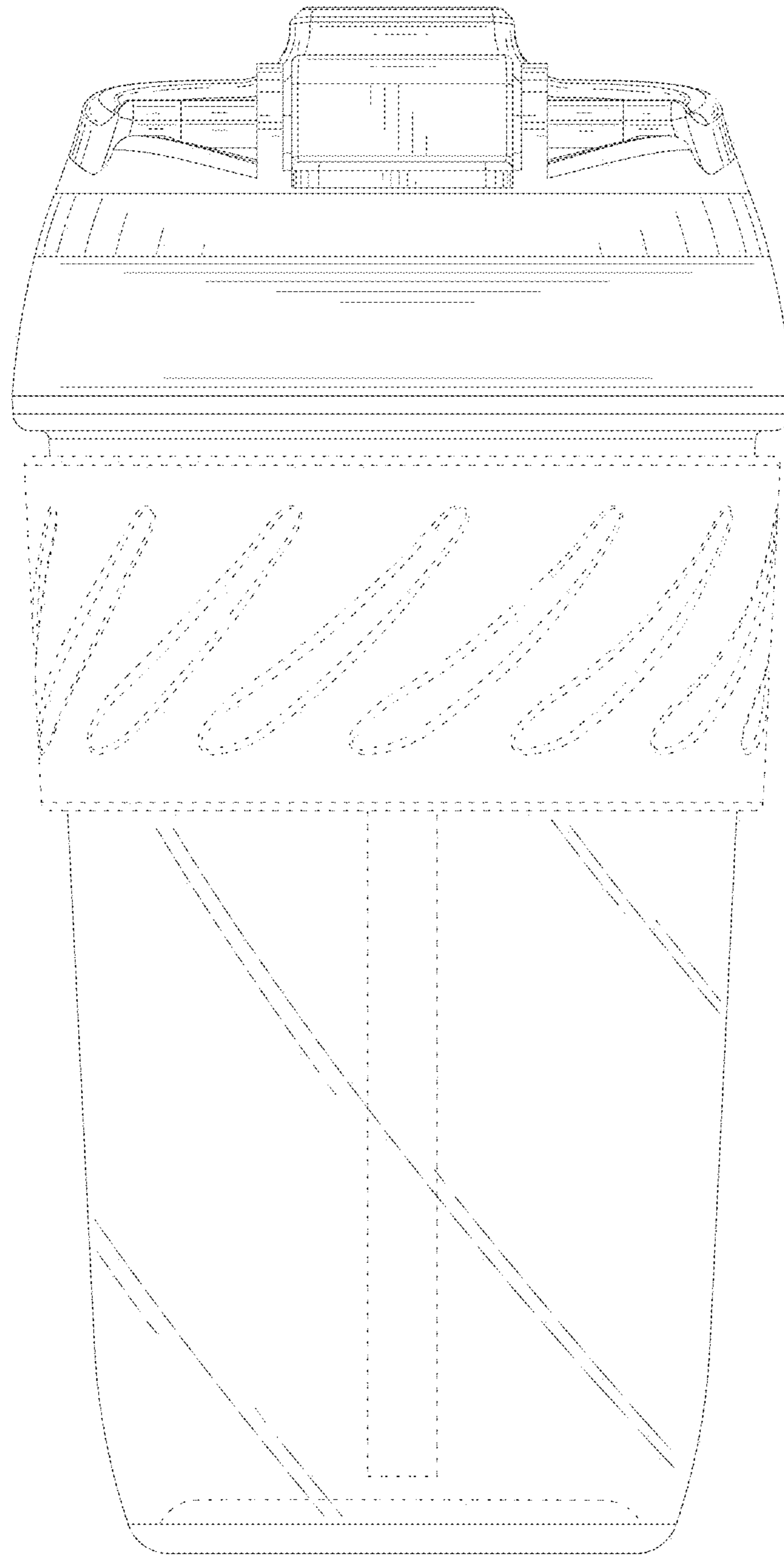


FIG.2

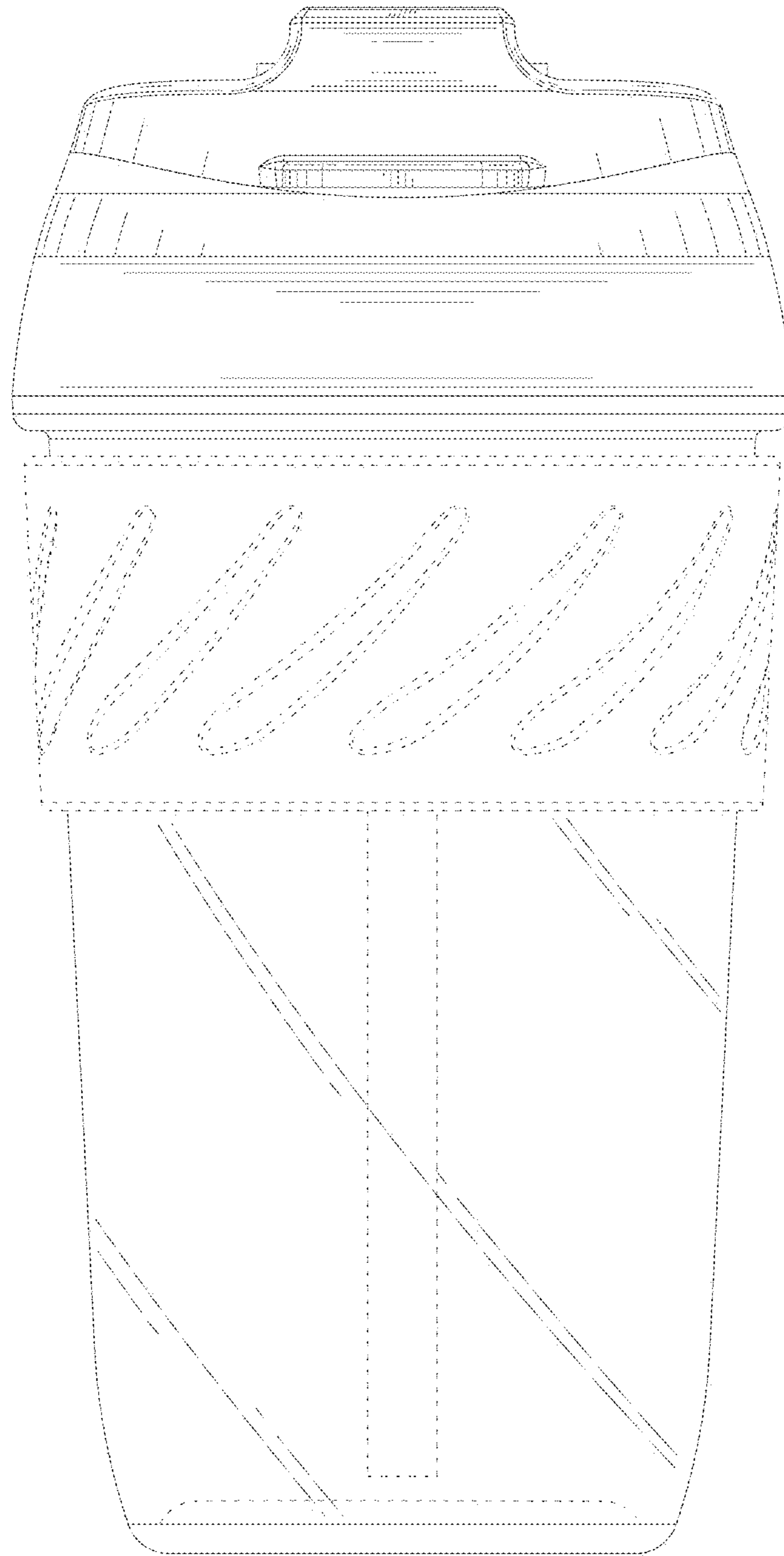


FIG.3

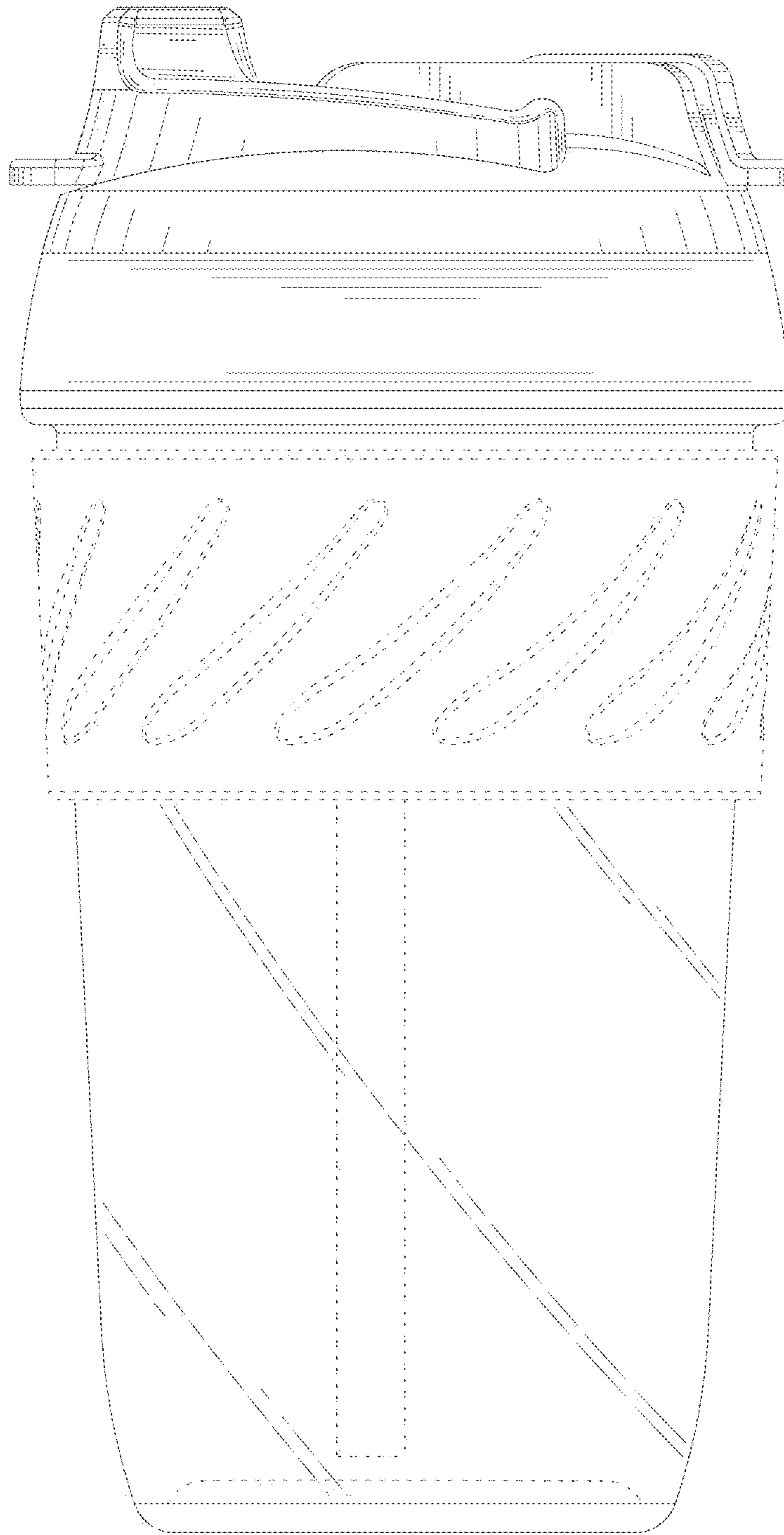


FIG.4

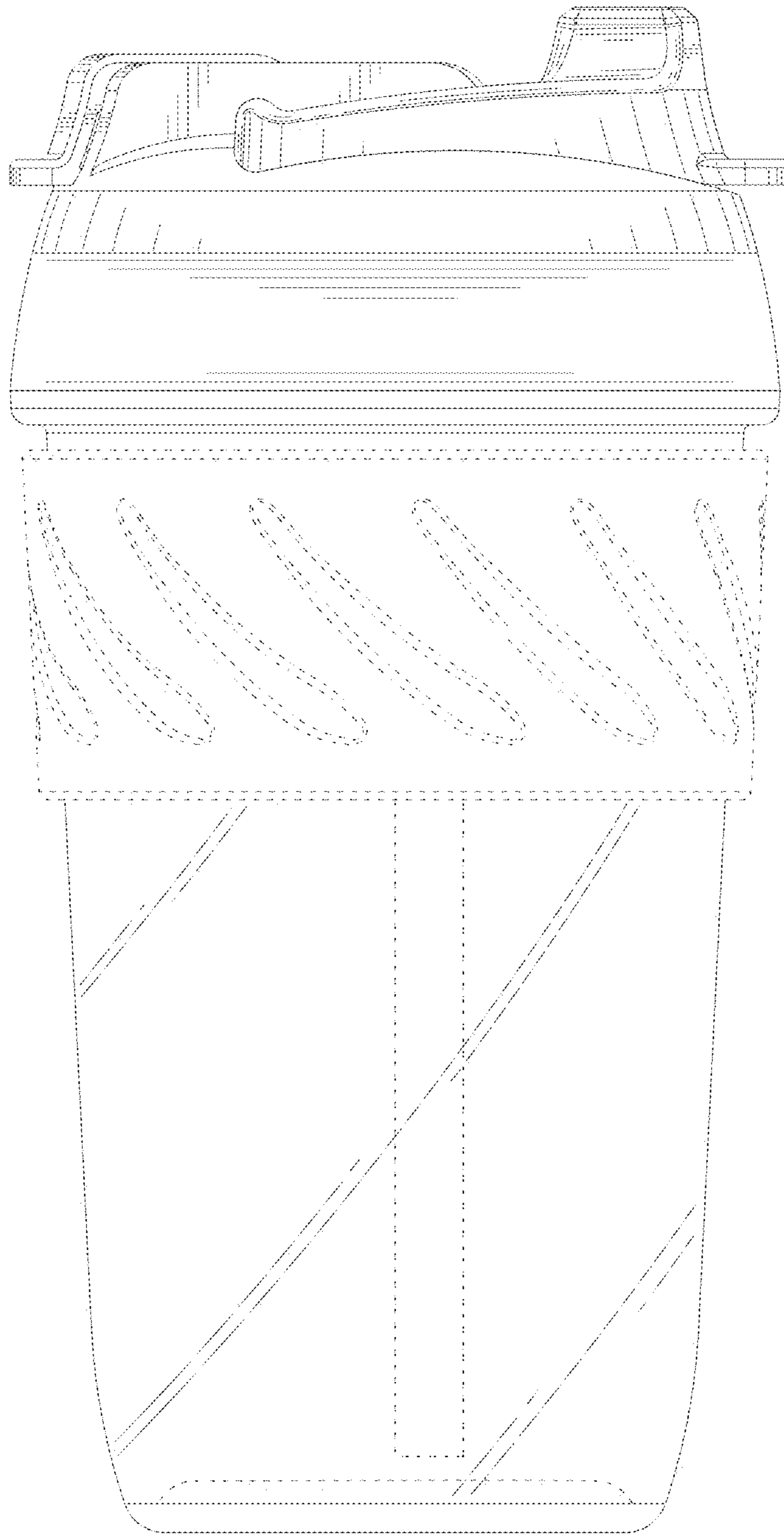


FIG.5

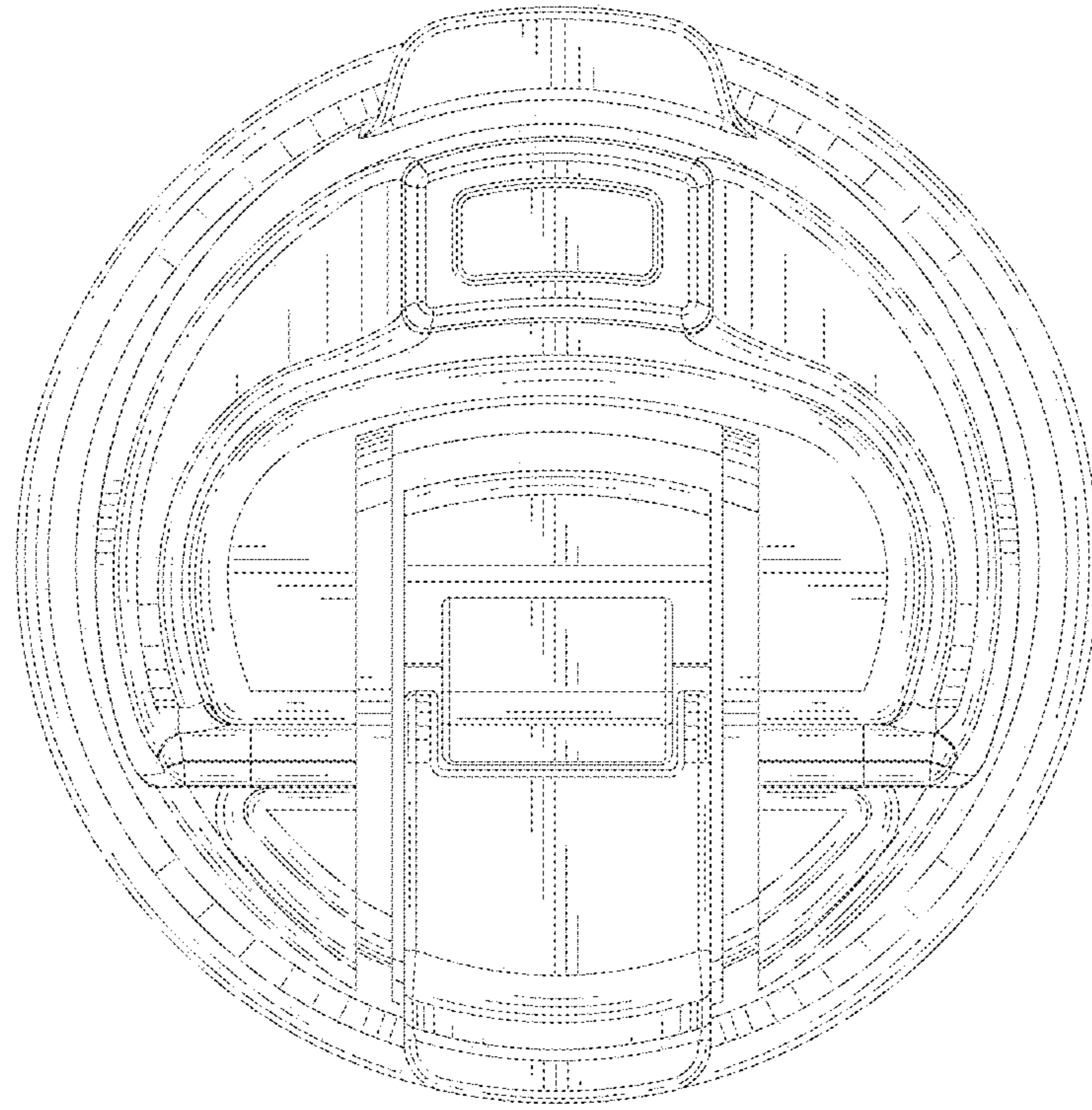


FIG. 6

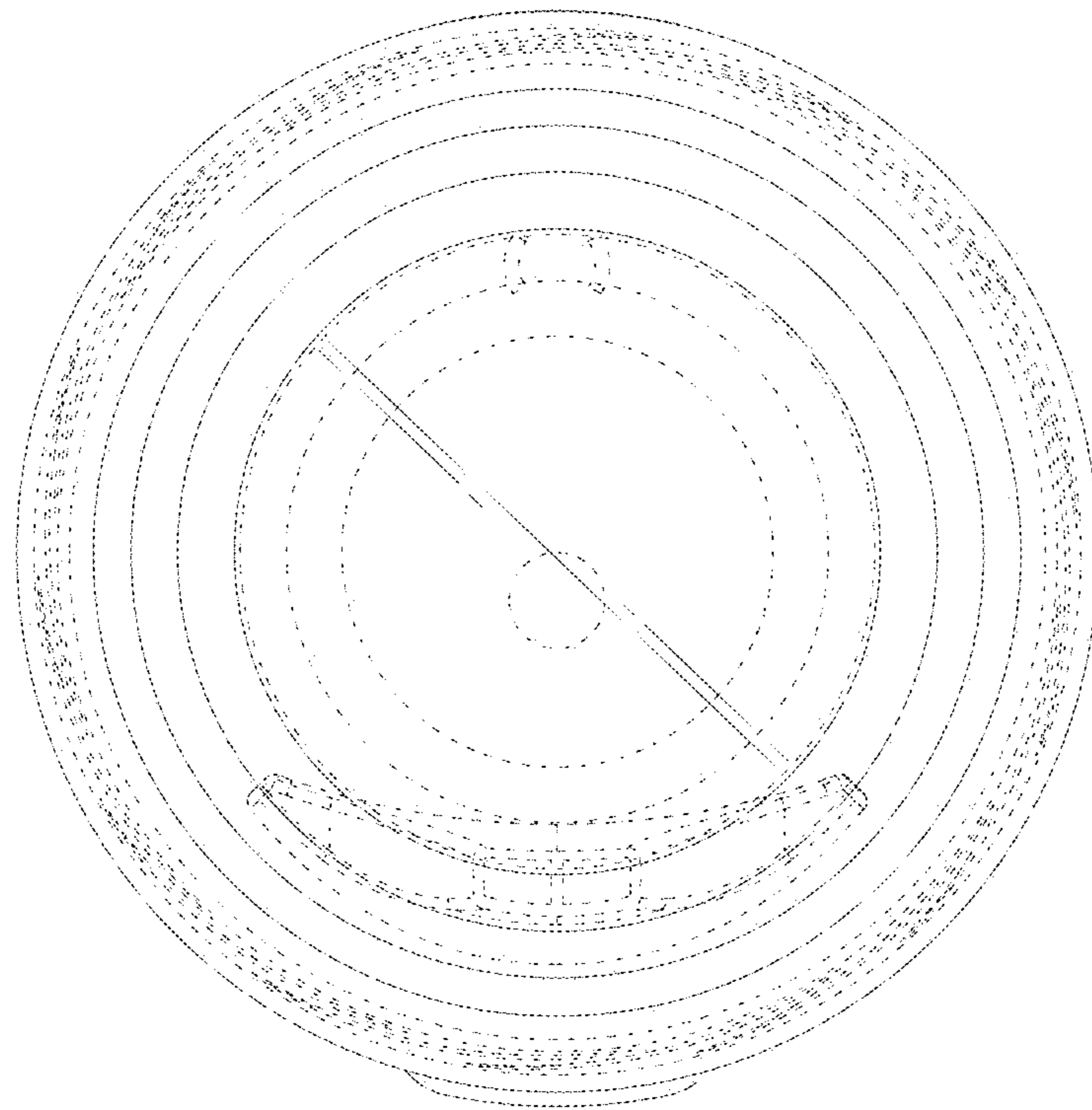


FIG. 7

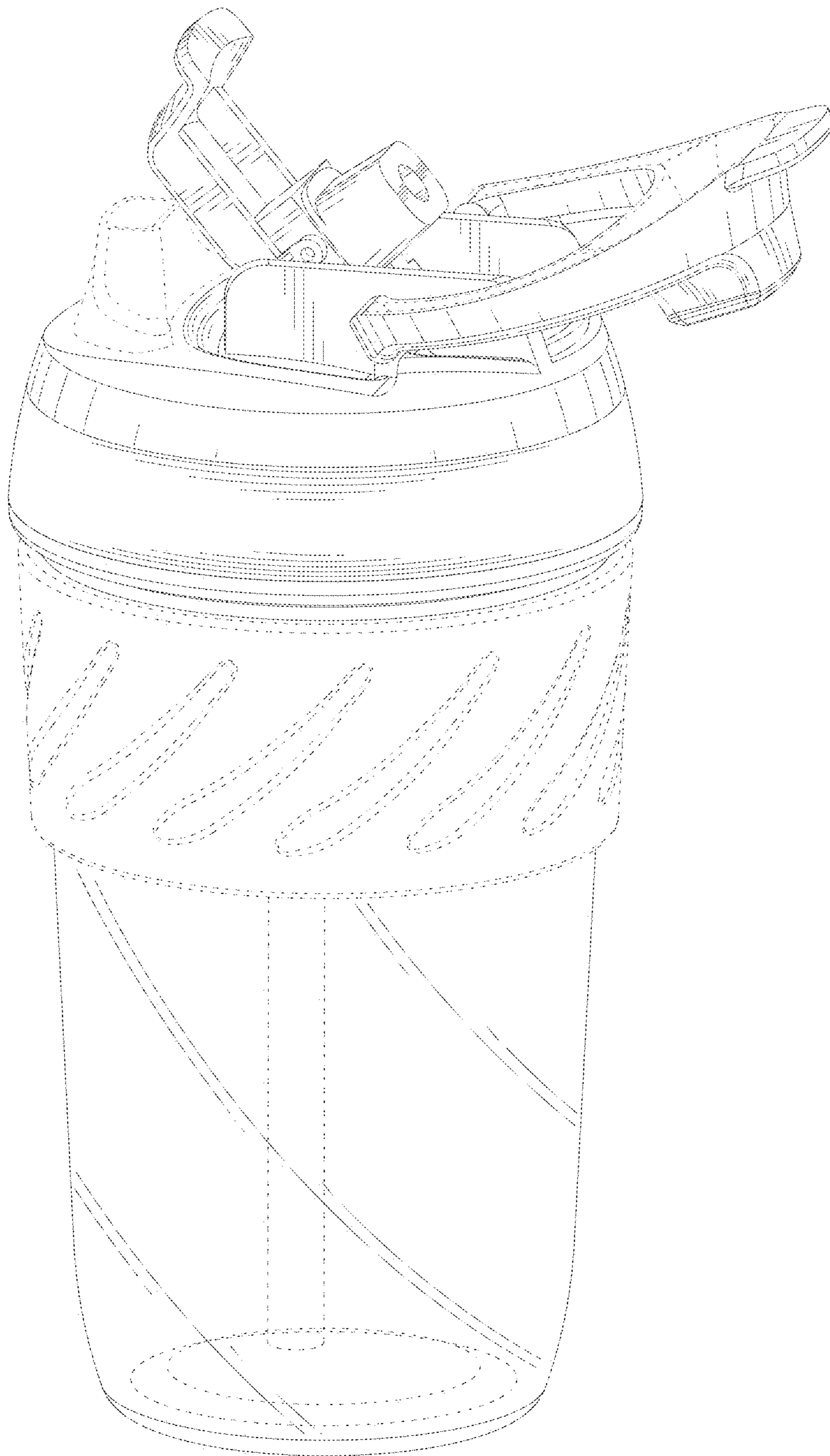


FIG.8