



US00D974114S

(12) **United States Design Patent**  
**Weilert et al.**

(10) **Patent No.: US D974,114 S**  
(45) **Date of Patent: \*\* Jan. 3, 2023**

- (54) **COOKWARE ARTICLE**
- (71) Applicant: **Solo Brands, LLC**, Grapevine, TX (US)
- (72) Inventors: **Jeffrey R. Weilert**, Southlake, TX (US); **Alexander K. Maghsadi**, Lewisville, TX (US)
- (73) Assignee: **Solo Brands, LLC**, Grapevine, TX (US)
- (\*\*) Term: **15 Years**
- (21) Appl. No.: **29/772,154**
- (22) Filed: **Feb. 26, 2021**
- (51) **LOC (14) Cl.** ..... **07-02**
- (52) **U.S. Cl.**  
USPC ..... **D7/409**
- (58) **Field of Classification Search**  
USPC ..... D7/354, 359, 360, 361, 362, 363, 366, D7/402, 408, 409, 548, 552.1, 554.1  
CPC ..... A21B 3/13; A21B 3/132; A47G 19/02; A47G 23/06; A47J 37/10; A47J 37/0694; A47J 36/022; A47J 43/18; A47J 37/067; A47J 37/0786; A47J 37/108; A47J 37/06; A47J 27/14; A47J 37/00; A47J 37/01; B65D 81/3453; B65D 1/36; B65D  
(Continued)
- (56) **References Cited**

**U.S. PATENT DOCUMENTS**

- D379,134 S \* 5/1997 Joergensen ..... H05B 6/6494 D7/548
  - D433,878 S \* 11/2000 Joergensen ..... D7/548
- (Continued)

**OTHER PUBLICATIONS**

Solo Stove Large Cast Iron Wok Top, Amazon.com, first available date: Feb. 26, 2022. Retrieved from the internet: Aug. 3, 2022<URL: [https://www.amazon.com/Solo-Stove-Cooktop-Fireplace-accessory/dp/B09SLSG55F?ref\\_ast\\_sto\\_dp&th=1](https://www.amazon.com/Solo-Stove-Cooktop-Fireplace-accessory/dp/B09SLSG55F?ref_ast_sto_dp&th=1) (Year: 2022).\*

*Primary Examiner* — Joseph Kukella  
*Assistant Examiner* — Darryl J Dardenne  
(74) *Attorney, Agent, or Firm* — Haynes and Boone, LLP

(57) **CLAIM**

The ornamental design for a cookware article, as shown and described.

**DESCRIPTION**

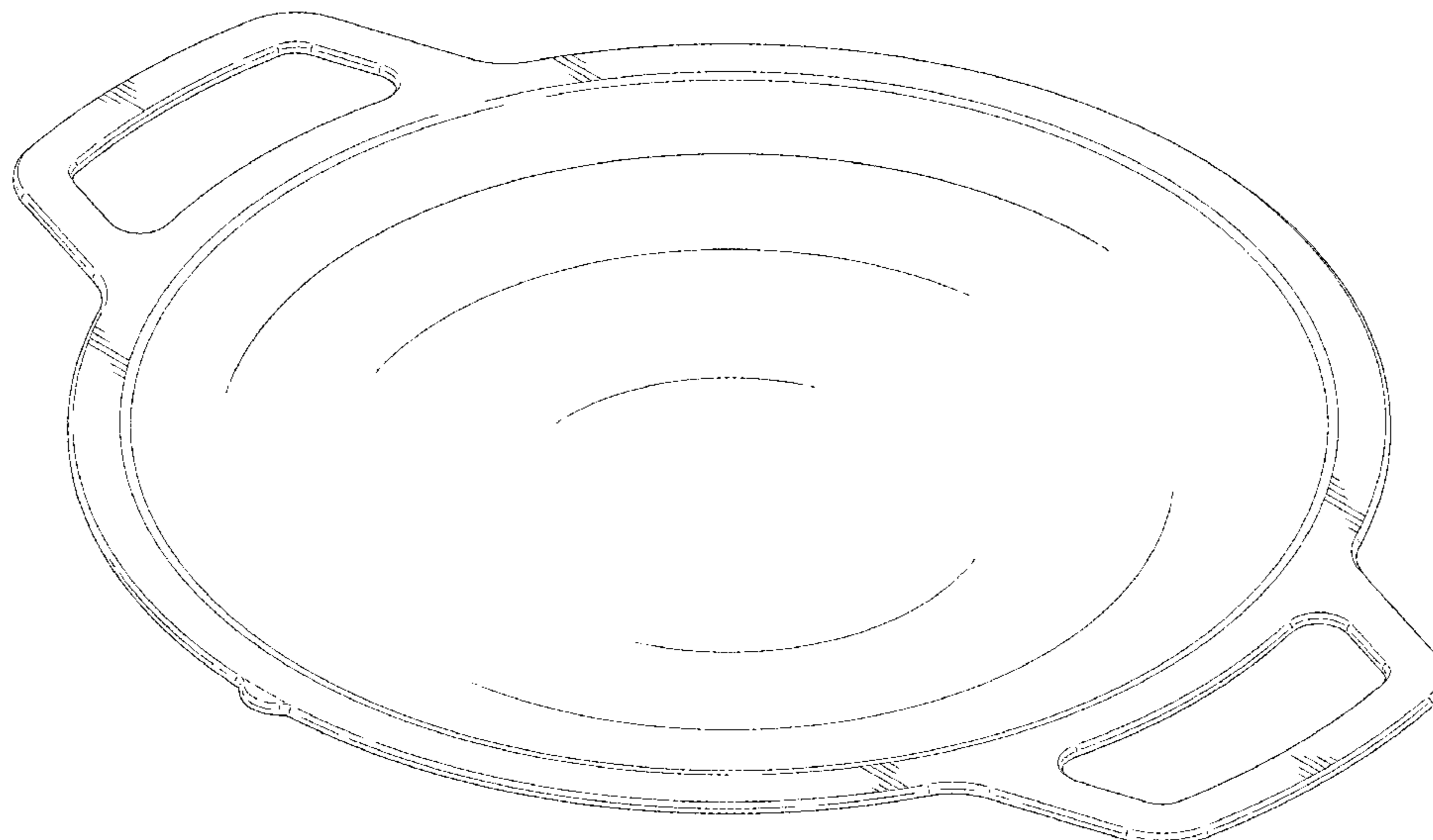
FIG. 1 is a front perspective view of a cookware article showing our new design;  
 FIG. 2 is a top plan view of the cookware article;  
 FIG. 3 is a bottom plan view of the cookware article;  
 FIG. 4 is a front elevational view of the cookware article;  
 FIG. 5 is a rear elevational view of the cookware article;  
 FIG. 6 is a left side elevational view of the cookware article;  
 FIG. 7 is a right side elevational view of the cookware article;  
 FIG. 8 is a view similar to FIG. 1 but with additional broken lines; and,  
 FIG. 9 is a view similar to FIG. 4 but with additional broken lines.

The broken lines in FIGS. 1, 2, 3, and 8 illustrate unclaimed portions of the cookware article and form no part of the claimed design.

The additional broken lines in FIGS. 8 and 9 show unclaimed environmental structure that forms no part of the claimed design, which unclaimed environmental structure includes a fire pit and a stand for supporting the cookware article.

The surface shadings and contour lines shown in FIGS. 1-9 represent the three-dimensional character and contour of the cookware article, and are not intended to limit the cookware article to any particular materials, colors, or surface decorations. The different surface shadings are used to indicate contrasting materials.

**1 Claim, 7 Drawing Sheets**



(58) **Field of Classification Search**

CPC ..... 2543/00092; F24C 15/16; F24C 15/10;  
F24C 15/107

See application file for complete search history.

(56) **References Cited**

U.S. PATENT DOCUMENTS

D439,469 S \* 3/2001 Ferrer ..... D7/360  
D445,632 S \* 7/2001 Bradley ..... D7/545  
D466,369 S \* 12/2002 Alden ..... A47J 37/0786  
D7/409  
D470,006 S \* 2/2003 Cooper ..... D7/360  
D522,309 S \* 6/2006 Pukall ..... D7/360  
D579,713 S \* 11/2008 Dodane ..... D7/360  
D622,558 S \* 8/2010 Norton ..... A47J 37/0786  
D7/698  
D623,006 S \* 9/2010 Alden ..... D7/354  
D623,007 S \* 9/2010 Alden ..... D7/354  
D657,617 S \* 4/2012 Sarnoff ..... D7/354  
D708,893 S \* 7/2014 Henry ..... D7/354  
D812,975 S \* 3/2018 Mirchandani ..... D7/354  
D833,203 S \* 11/2018 Lee ..... D7/354  
D833,204 S \* 11/2018 Lee ..... D7/354  
D842,642 S \* 3/2019 Effler ..... D7/360  
D883,023 S \* 5/2020 Hollinger ..... D7/354  
D958,585 S \* 7/2022 Daniel ..... D7/360  
D959,193 S \* 8/2022 McVey ..... D7/354  
2007/0131679 A1 \* 6/2007 Edwards ..... H05B 6/6494  
219/725

\* cited by examiner

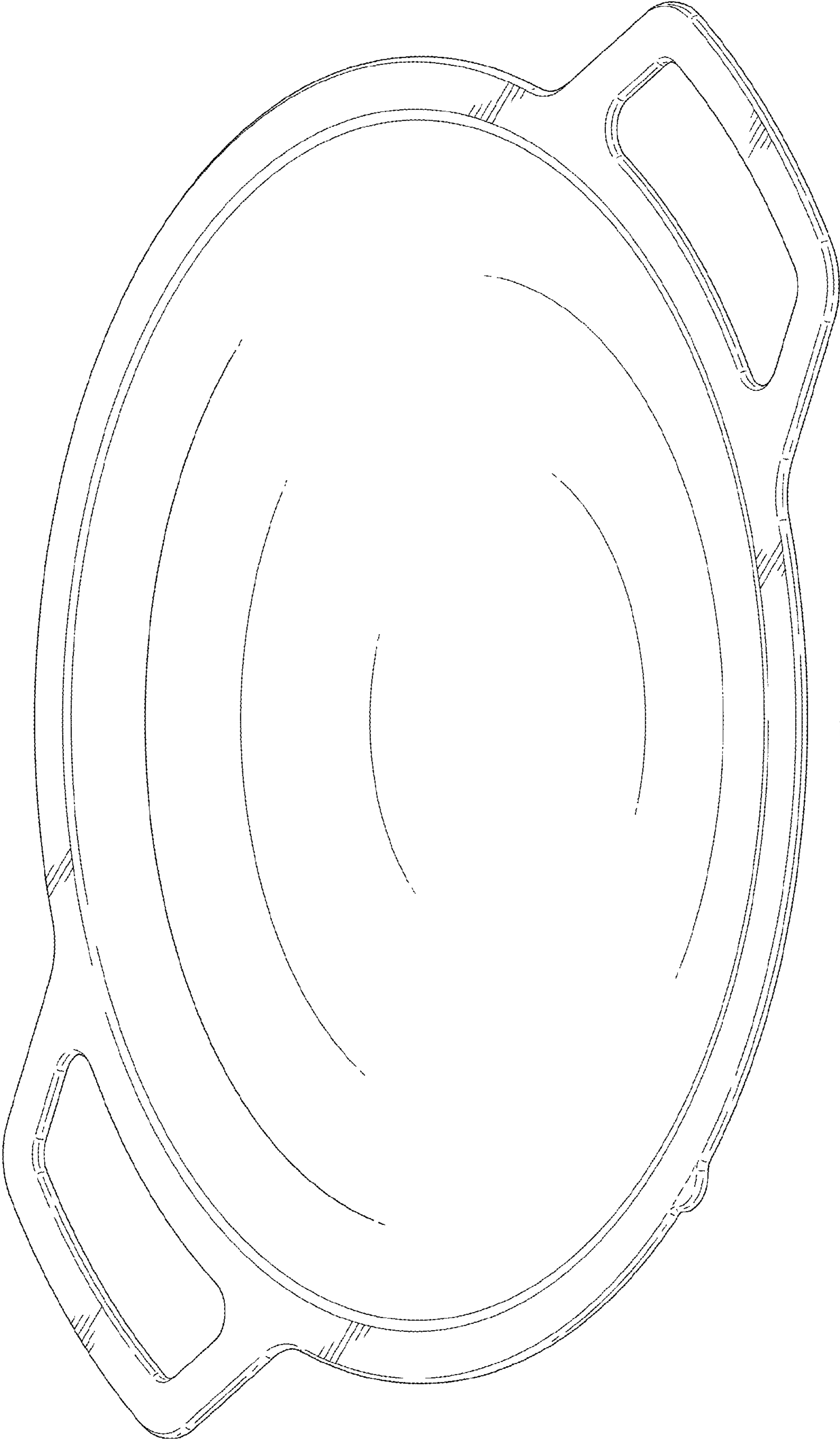
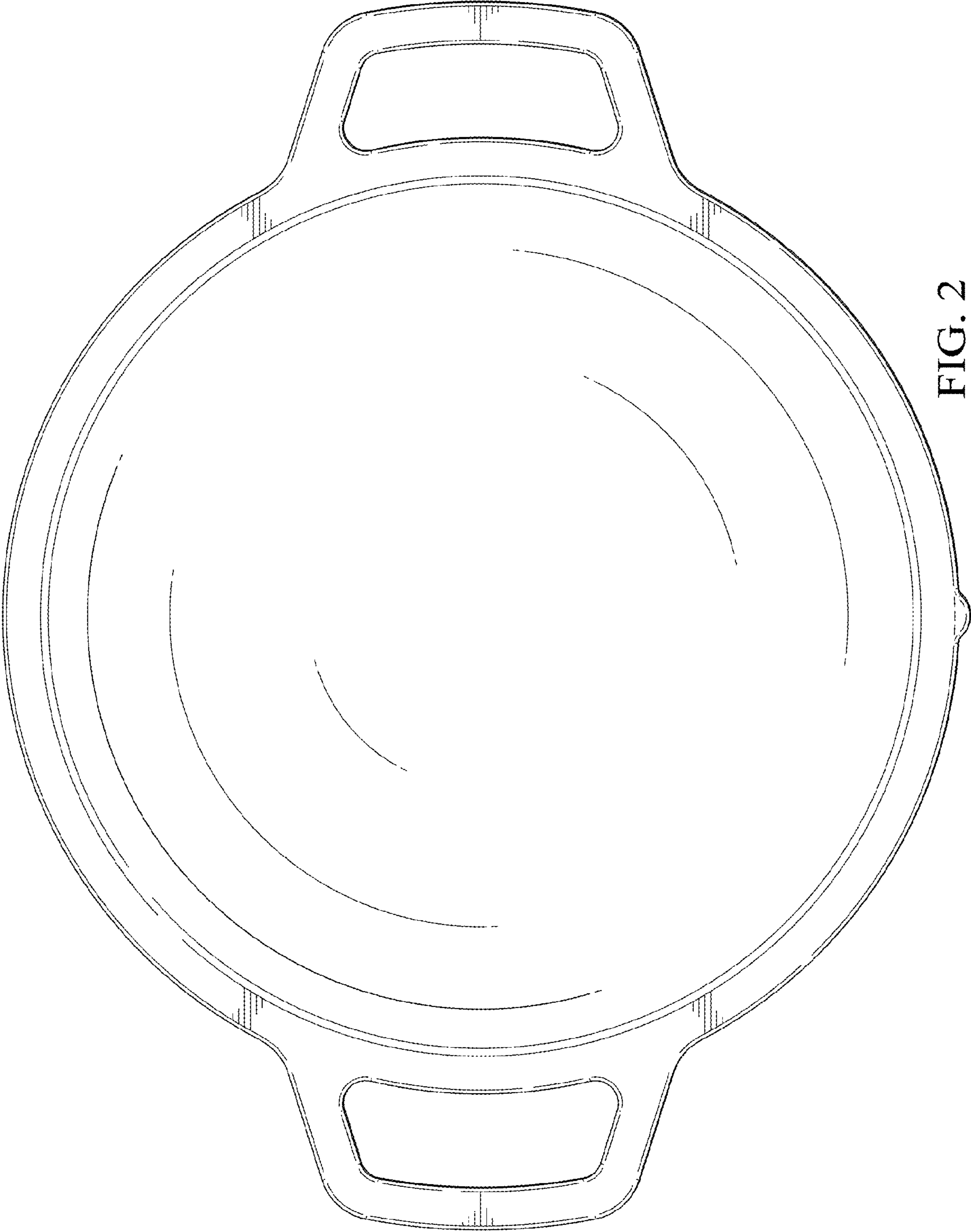


FIG. 1



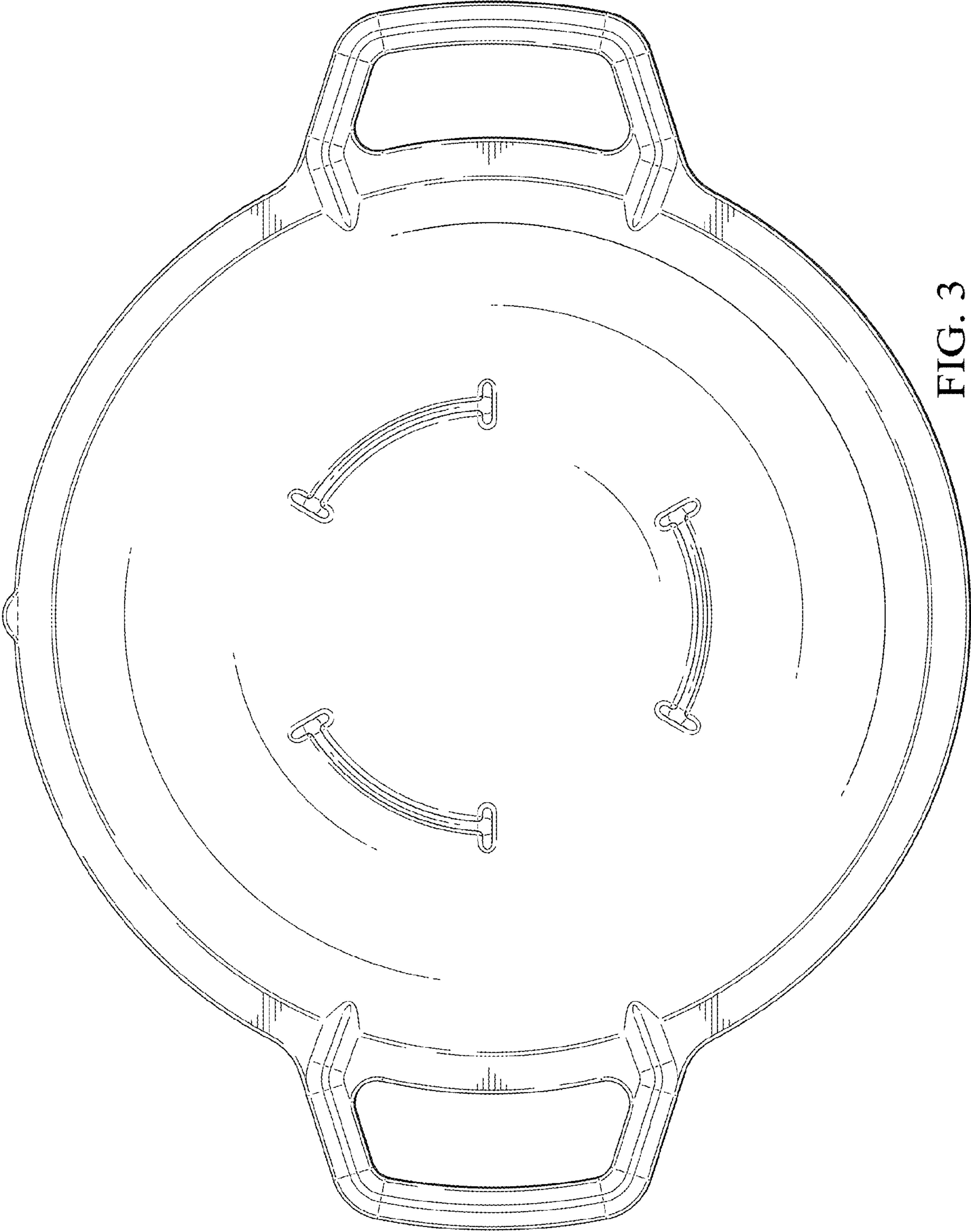


FIG. 3

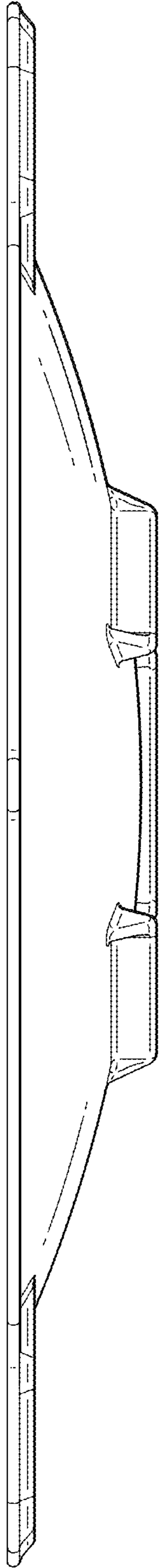


FIG. 4

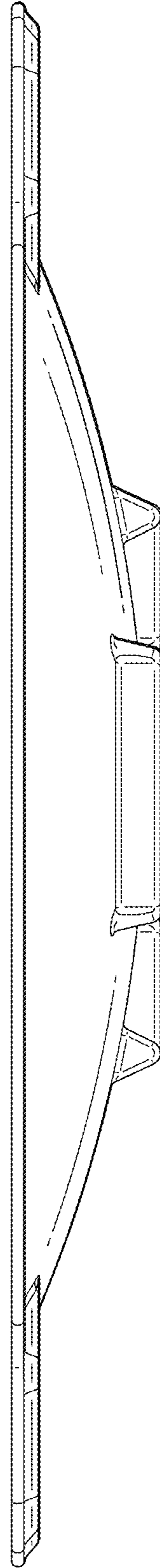


FIG. 5

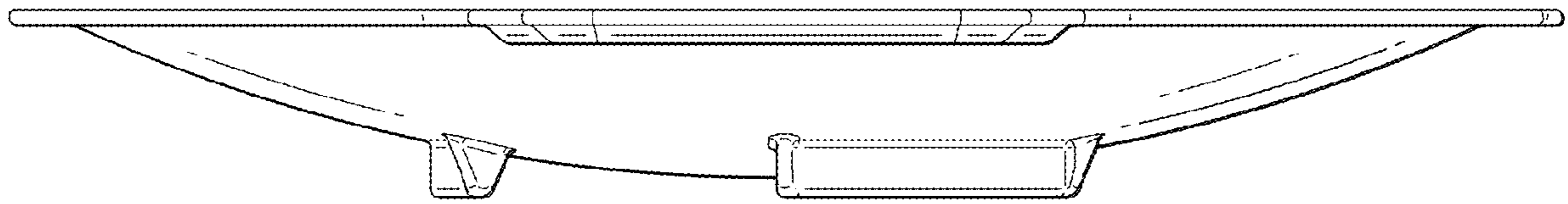


FIG. 6

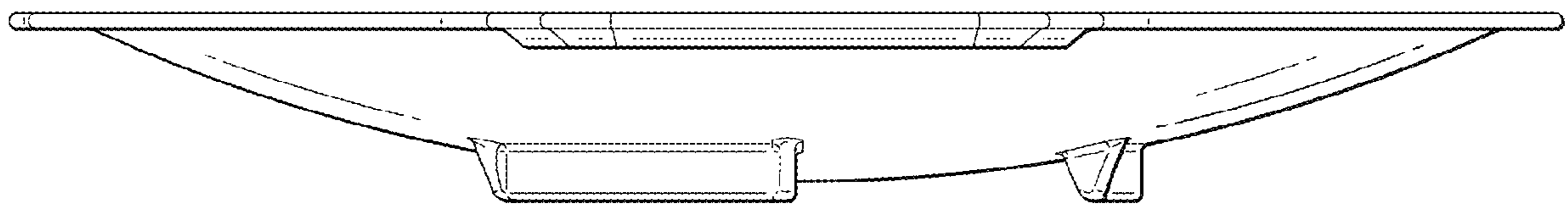


FIG. 7

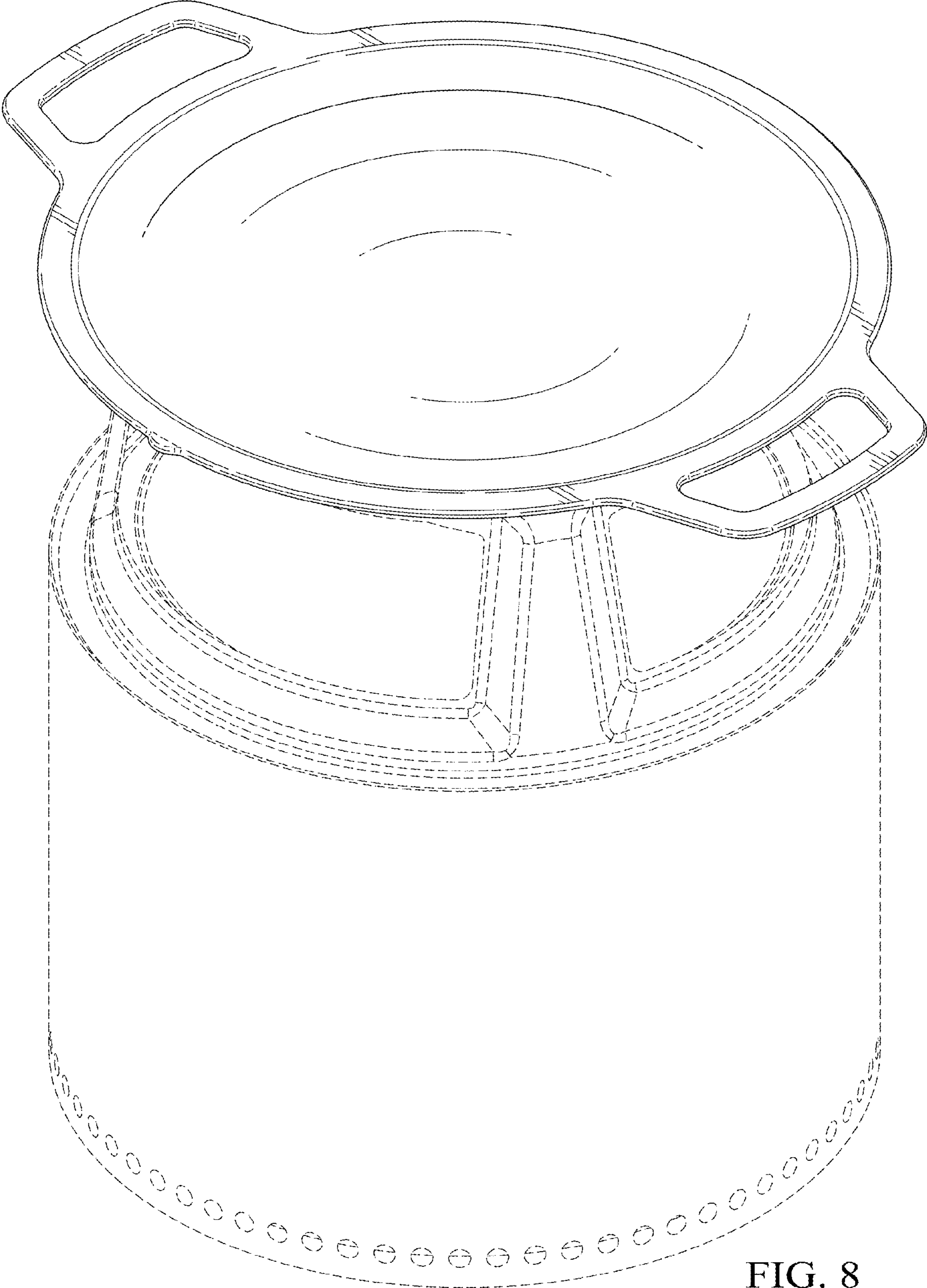


FIG. 8



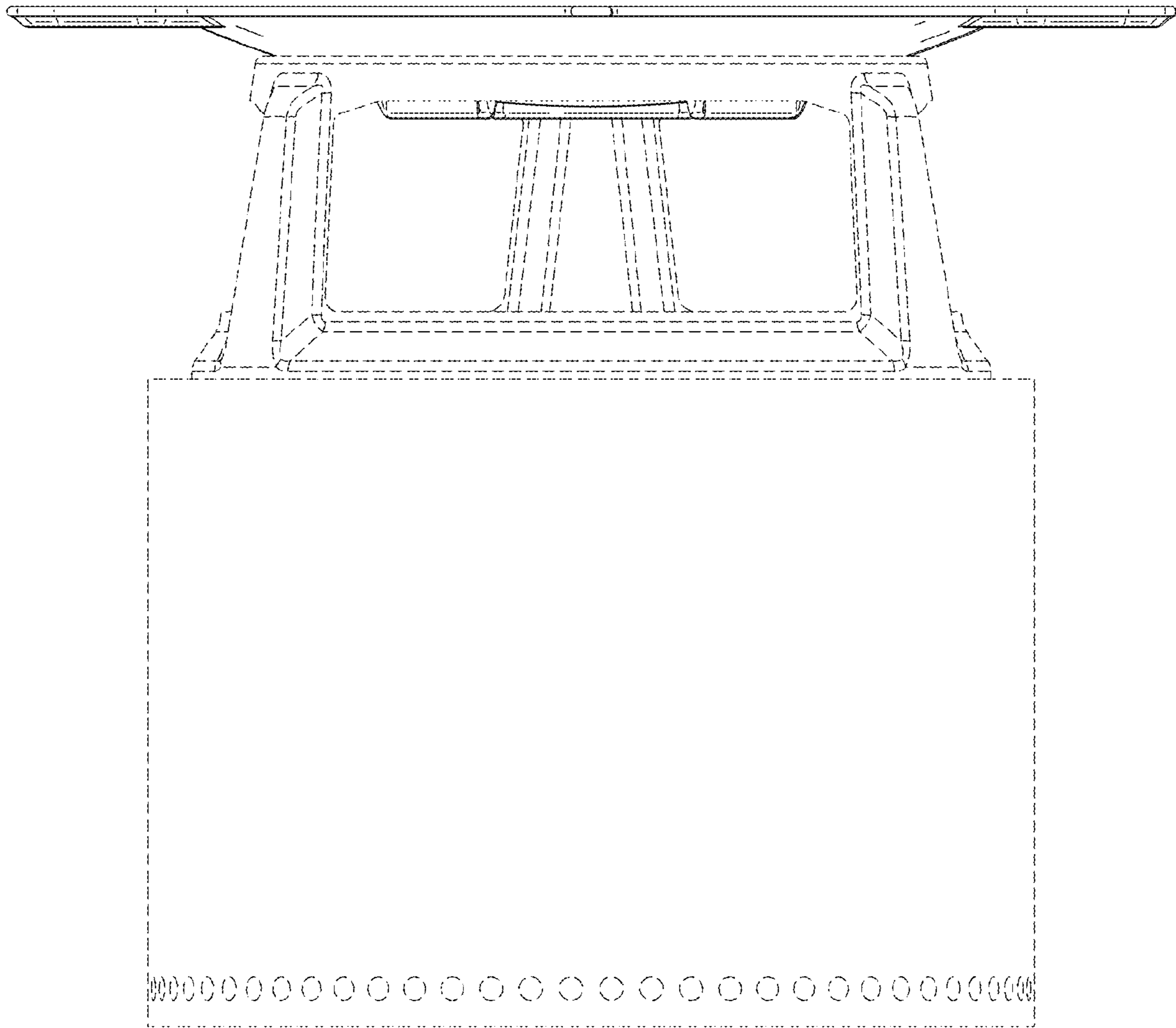


FIG. 9