



US00D974112S

(12) **United States Design Patent**
Weilert et al.

(10) **Patent No.:** **US D974,112 S**
(45) **Date of Patent:** **** Jan. 3, 2023**

(54) **STAND FOR A COOKWARE ARTICLE**

(71) Applicant: **Solo Brands, LLC**, Grapevine, TX (US)

(72) Inventors: **Jeffrey R. Weilert**, Southlake, TX (US); **Alexander K. Maghsadi**, Lewisville, TX (US)

(73) Assignee: **Solo Brands, LLC**, Grapevine, TX (US)

(**) Term: **15 Years**

(21) Appl. No.: **29/772,111**

(22) Filed: **Feb. 26, 2021**

(51) **LOC (14) Cl.** **07-02**

(52) **U.S. Cl.**
USPC **D7/409**

(58) **Field of Classification Search**
USPC D7/354, 359, 360, 361, 362, 363, 366,
D7/402, 408, 409, 548, 552.1, 554.1
(Continued)

(56) **References Cited**

U.S. PATENT DOCUMENTS

D40,211 S * 8/1909 Swan A47F 5/13
D7/366
D40,212 S * 8/1909 Swan D7/366
(Continued)

FOREIGN PATENT DOCUMENTS

CN 307139798 * 3/2022

OTHER PUBLICATIONS

Solo Stove Yukon Hub, Amazon.com. Retrieved from the internet Aug. 18, 2022<URL:https://www.amazon.com/Solo-Stove-Yukon-Hub-Stainless/dp/B09SKSVRMG? (Year: 2022).*

Primary Examiner — Joseph Kukella
Assistant Examiner — Darryl J Dardenne

(74) *Attorney, Agent, or Firm* — Haynes and Boone, LLP

(57) **CLAIM**

The ornamental design for a stand for a cookware article, as shown and described.

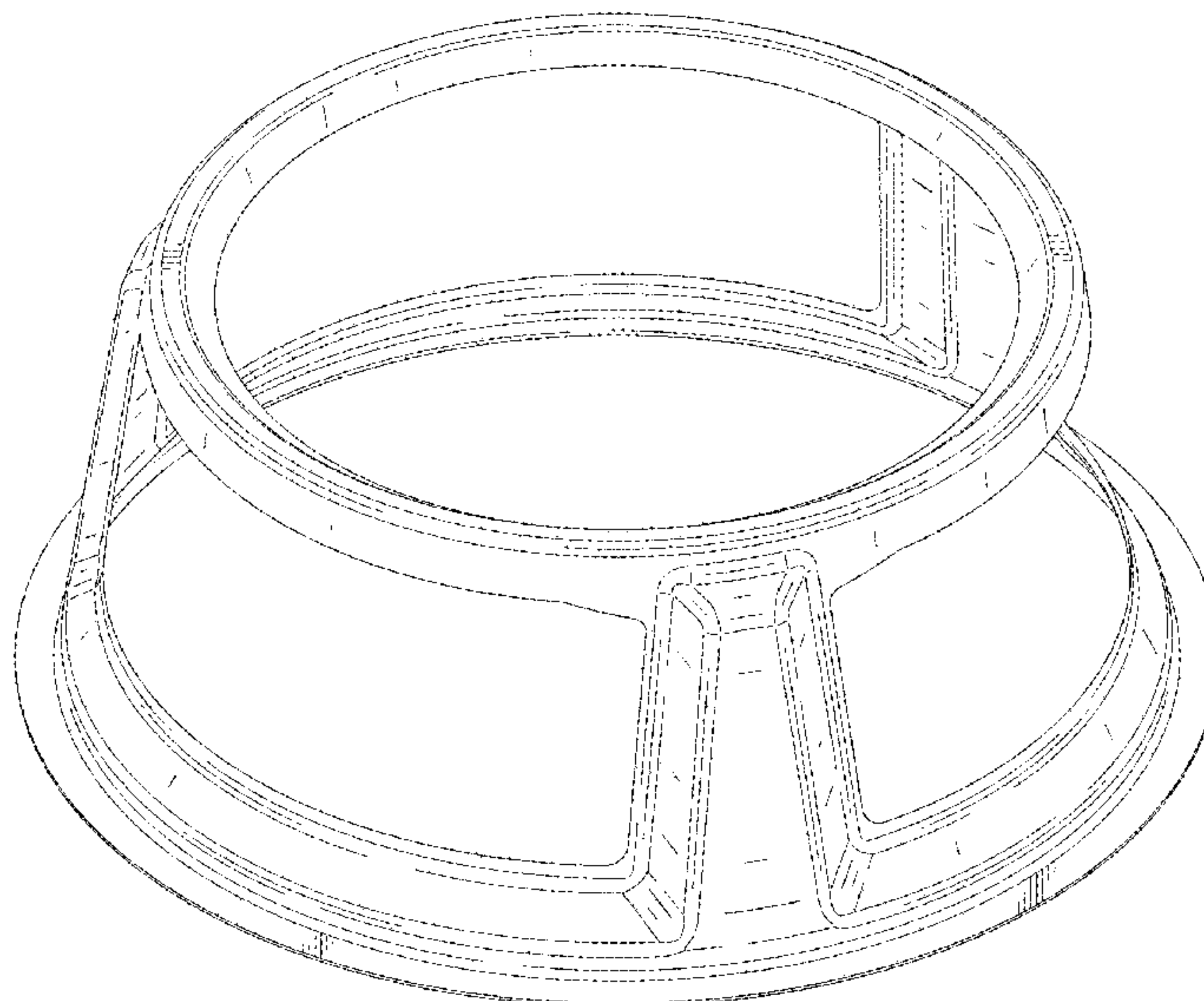
DESCRIPTION

FIG. 1 is a front perspective view of a stand for a cookware article showing our new design;
FIG. 2 is a top plan view of the stand for a cookware article;
FIG. 3 is a bottom plan view of the stand for a cookware article;
FIG. 4 is a front elevational view of the stand for a cookware article;
FIG. 5 is a rear elevational view of the stand for a cookware article;
FIG. 6 is a left side elevational view of the stand for a cookware article;
FIG. 7 is a right side elevational view of the stand for a cookware article;
FIG. 8 is a view similar to FIG. 1 but with additional broken lines; and,
FIG. 9 is a view similar to FIG. 4 but with additional broken lines.

The broken lines in FIGS. 8 and 9 show unclaimed environmental structure that forms no part of the claimed design, which unclaimed environmental structure includes a fire pit and a cookware article, the cookware article being supported by the stand for a cookware article.

The surface shadings and contour lines shown in FIGS. 1-9 represent the three-dimensional character and contour of the stand for a cookware article, and are not intended to limit the stand for a cookware article to any particular materials, colors, or surface decorations. The different surface shadings are used to indicate contrasting materials.

1 Claim, 7 Drawing Sheets



(58) **Field of Classification Search**

CPC .. A21B 3/13; A21B 3/132; A47F 5/13; A47G
19/02; A47G 23/06; A47J 27/122; A47J
37/10; A47J 37/0694; A47J 36/022; A47J
43/18; A47J 37/067; A47J 37/0786; A47J
37/108; A47J 37/06; A47J 27/14; A47J
37/00; A47J 37/01; B65D 81/3453; B65D
1/36; B65D 2543/00092; F24C 15/16;
F24C 15/10; F24C 15/107

See application file for complete search history.

(56) **References Cited**

U.S. PATENT DOCUMENTS

2,789,873 A * 4/1957 Gonder A47F 5/13
211/133.4
3,347,404 A * 10/1967 McIntyre A47J 27/122
220/759
D286,129 S * 10/1986 Bowen D7/402
D412,638 S * 8/1999 Joergensen D7/366
D486,689 S * 2/2004 Lu D7/403
D725,959 S * 4/2015 Thomas D7/368
D786,011 S * 5/2017 Creech A47J 43/18
D7/406
D821,123 S * 6/2018 Royer D6/682.1
D934,035 S * 10/2021 Bland D7/619.1
D951,709 S * 5/2022 Chiang A47J 43/18
D7/409

* cited by examiner

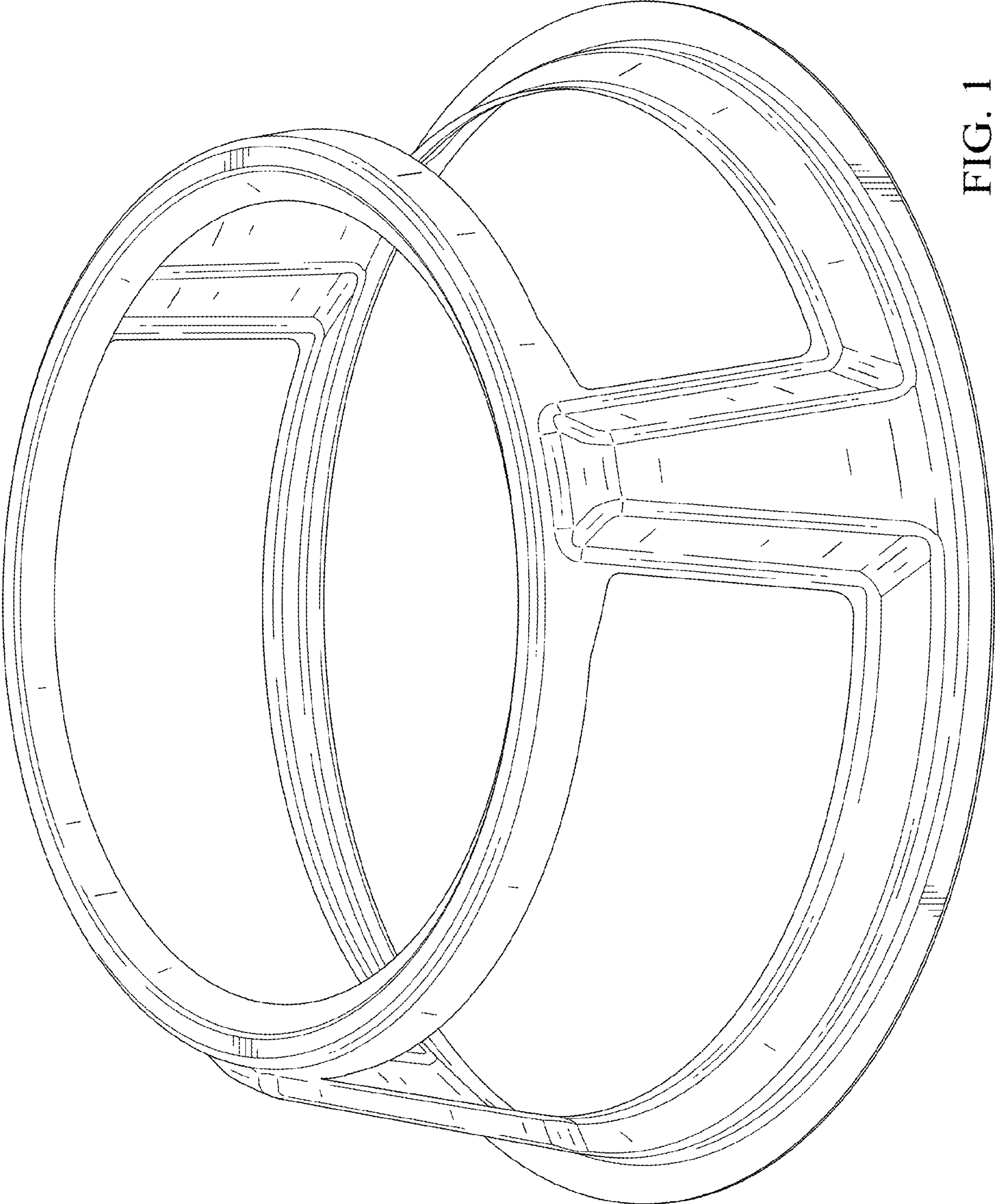


FIG. 1

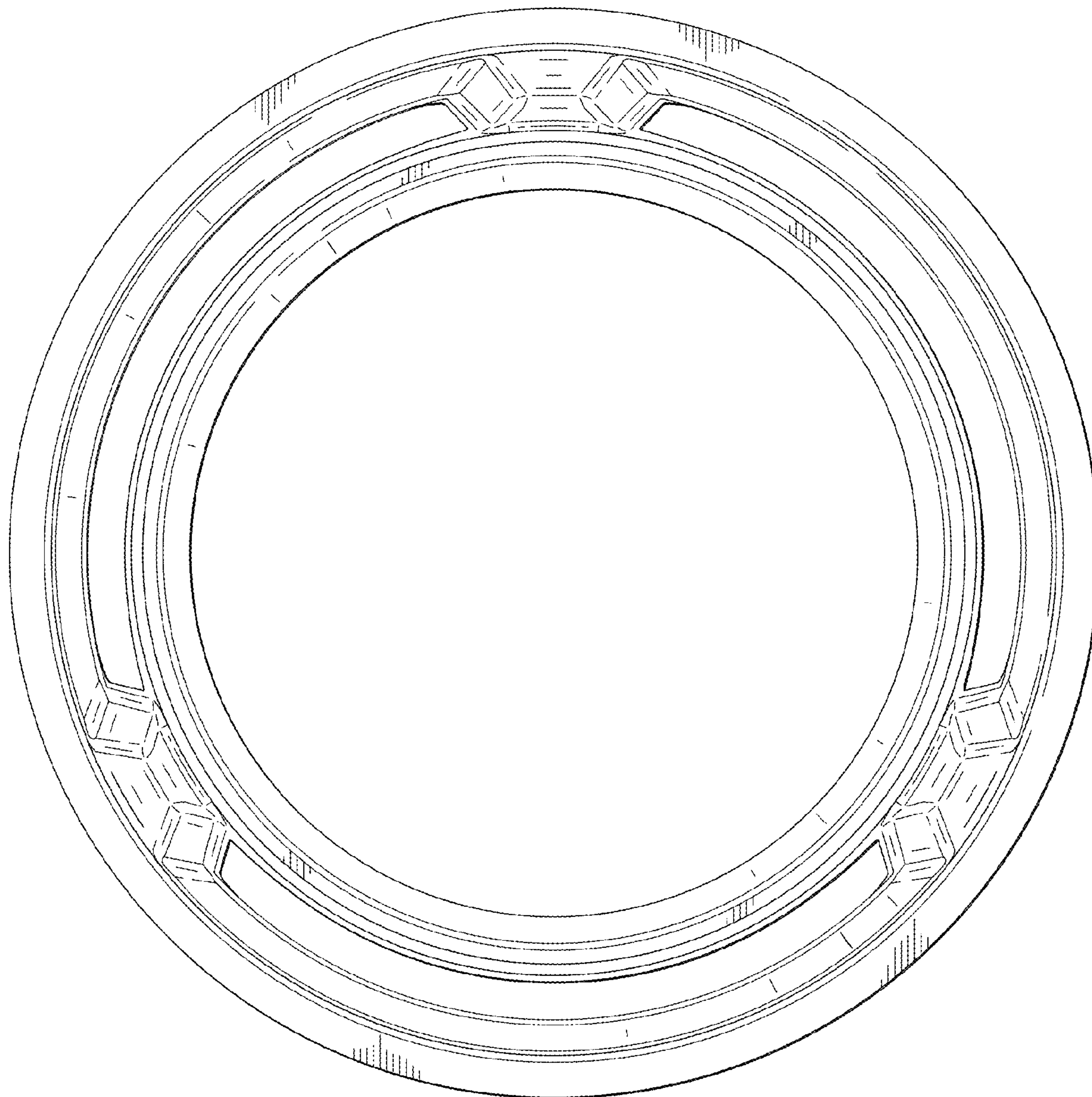


FIG. 2

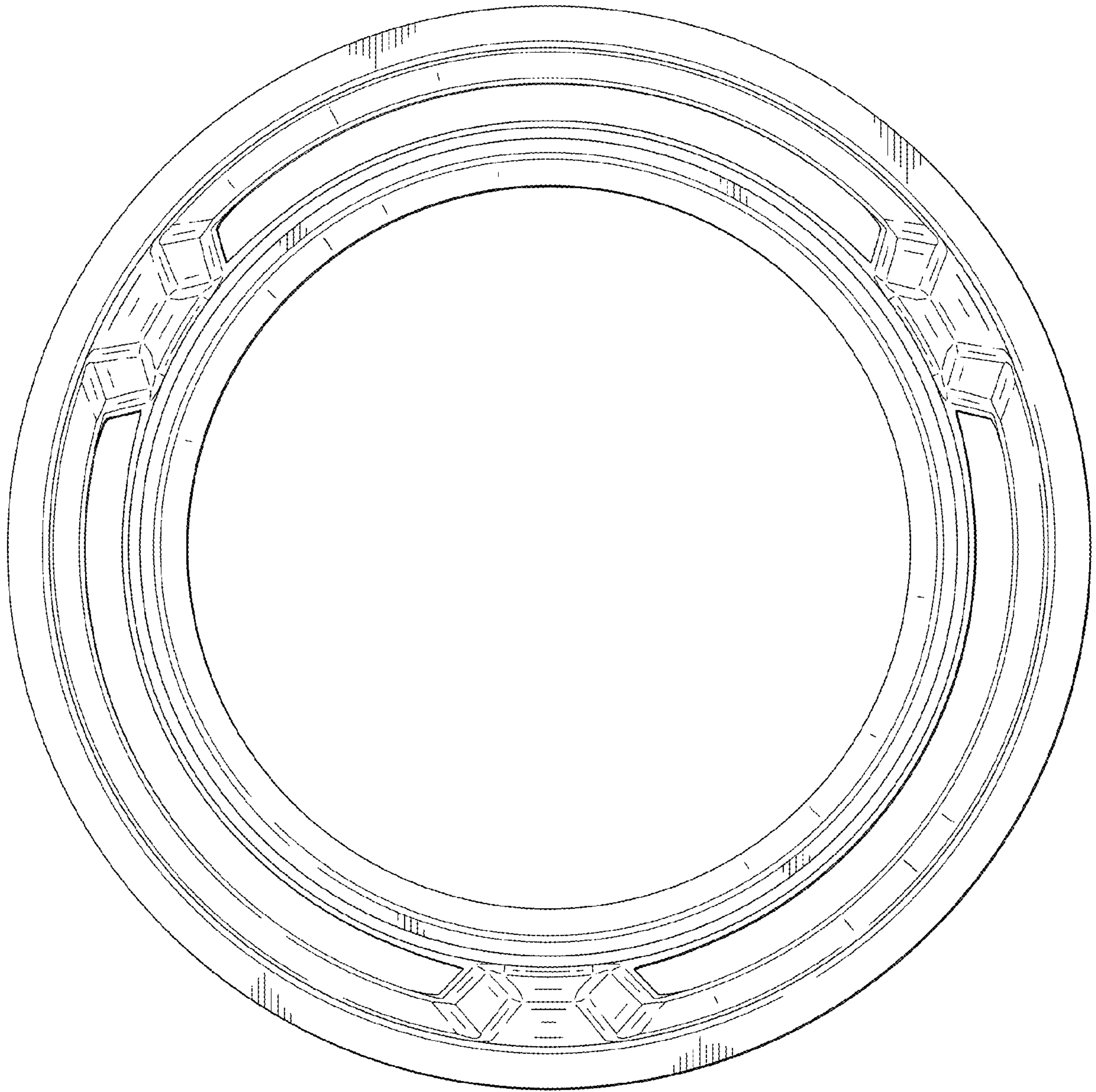


FIG. 3

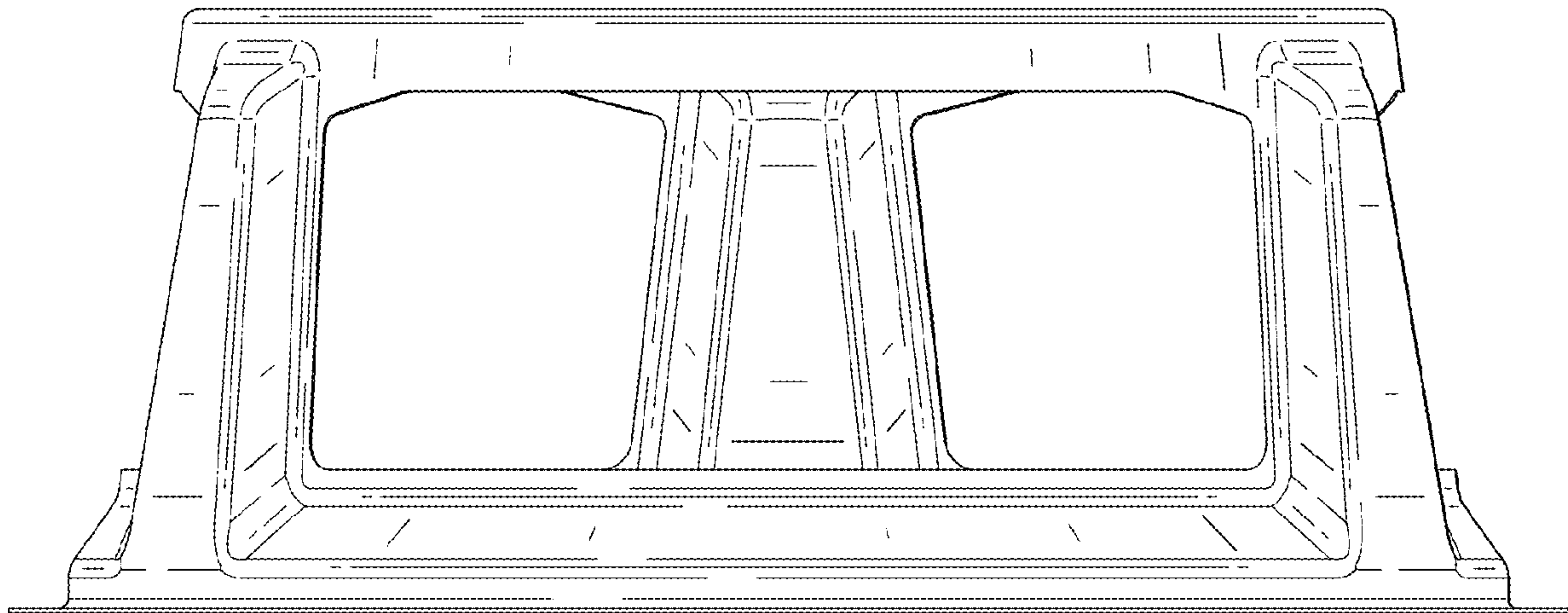


FIG. 4

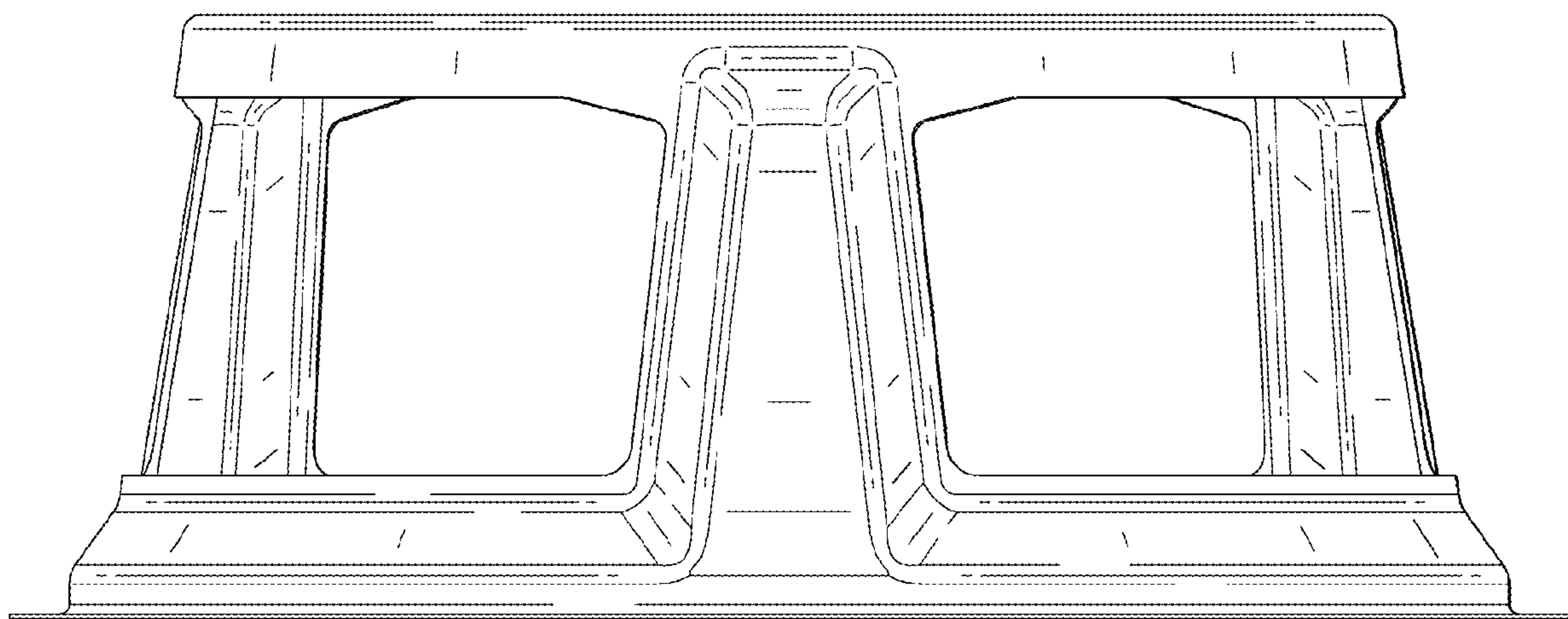


FIG. 5

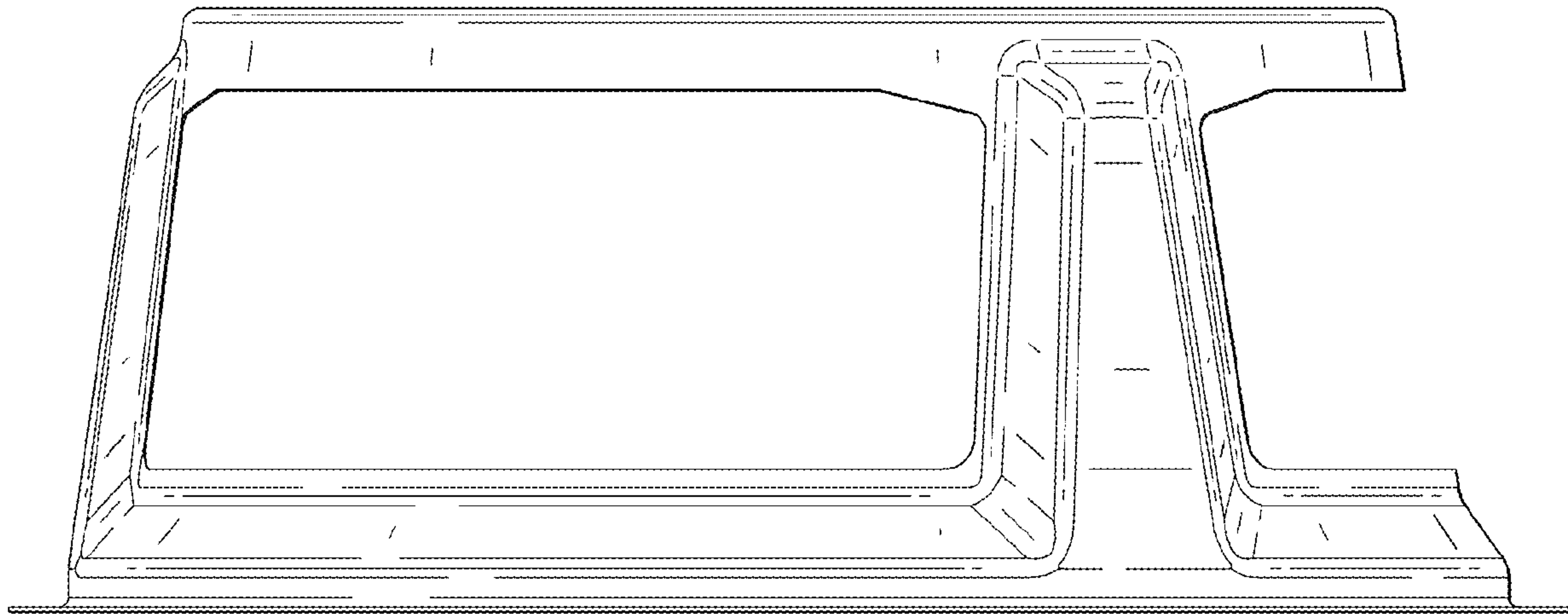


FIG. 6

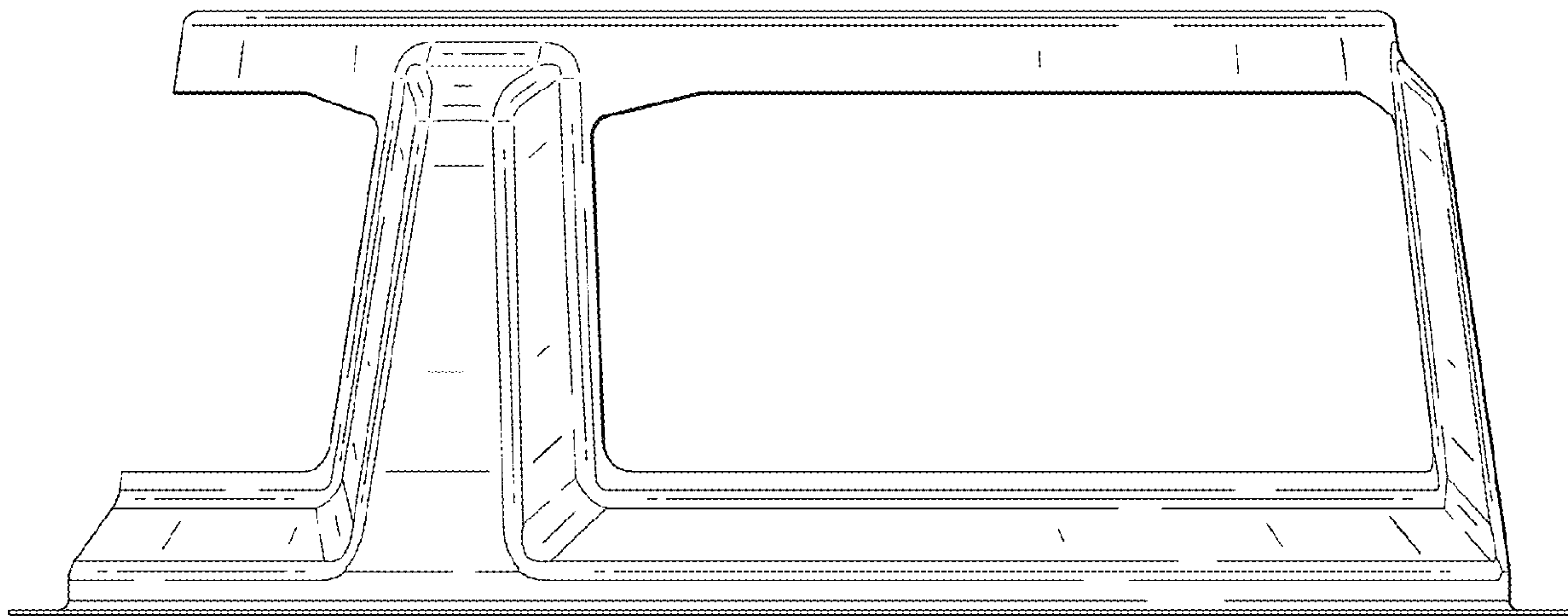


FIG. 7

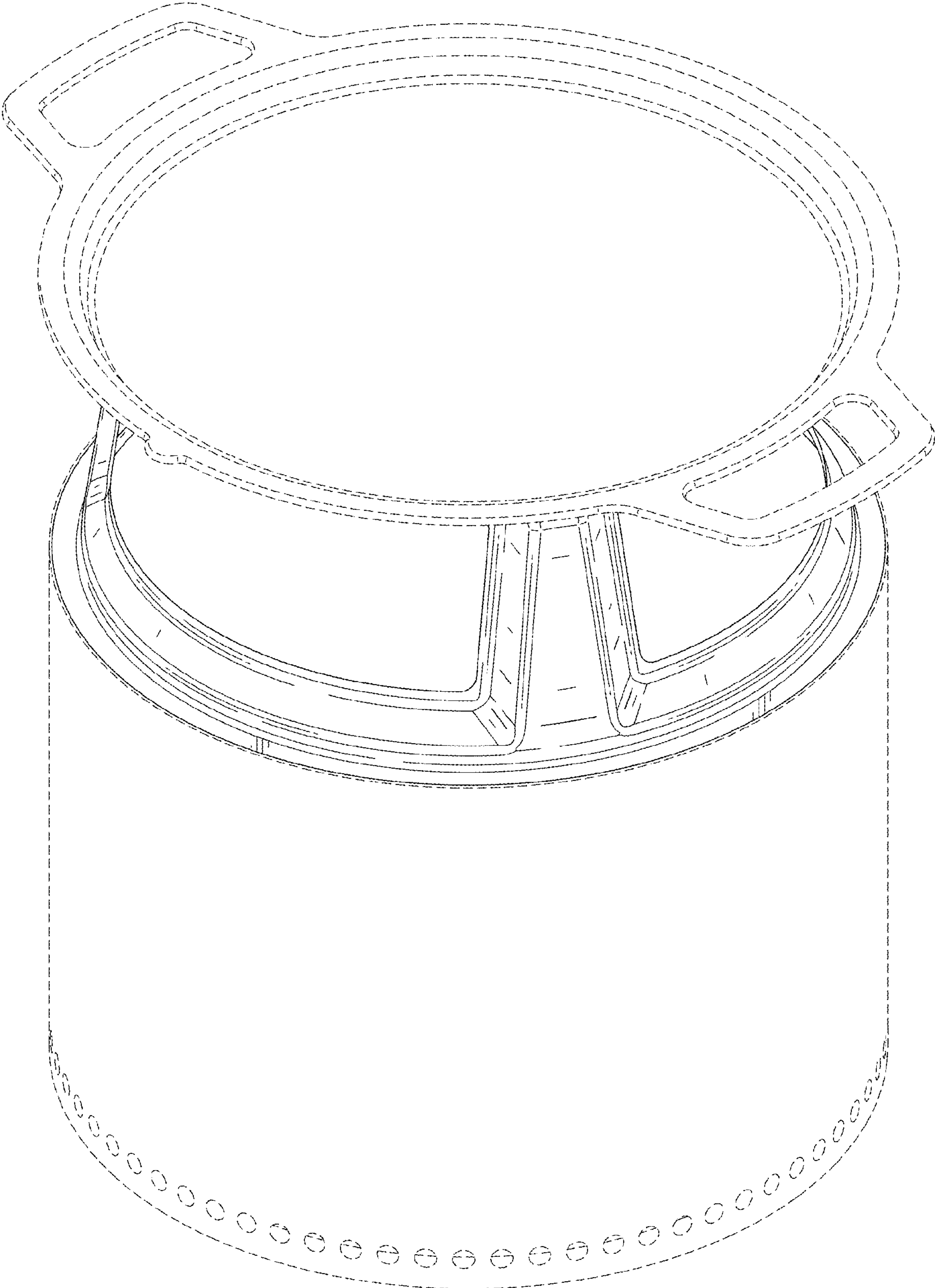


FIG. 8

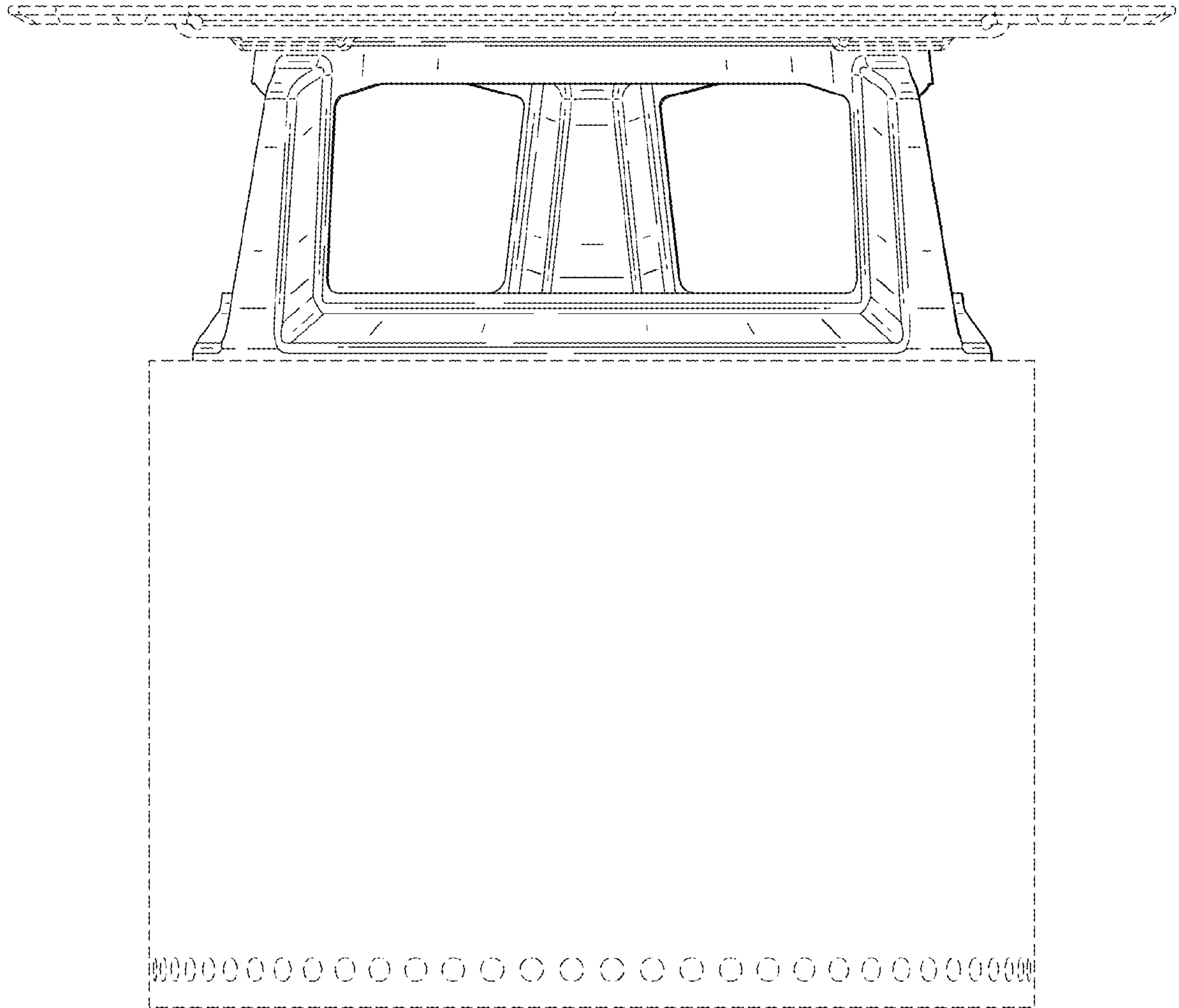


FIG. 9