



US00D974111S

(12) **United States Design Patent** (10) **Patent No.:** **US D974,111 S**
Weilert et al. (45) **Date of Patent:** **** Jan. 3, 2023**

(54) **COOKWARE ARTICLE**

(71) Applicant: **Solo Brands, LLC**, Grapevine, TX (US)

(72) Inventors: **Jeffrey R. Weilert**, Southlake, TX (US); **Alexander K. Maghsadi**, Lewisville, TX (US)

(73) Assignee: **Solo Brands, LLC**, Grapevine, TX (US)

(**) Term: **15 Years**

(21) Appl. No.: **29/772,105**

(22) Filed: **Feb. 26, 2021**

(51) **LOC (14) Cl.** **07-02**

(52) **U.S. Cl.**
USPC **D7/409**

(58) **Field of Classification Search**

USPC D7/354, 359, 360, 361, 362, 363, 366, D7/402, 408, 409, 548, 552.1, 554.1
CPC A21B 3/13; A21B 3/132; A47G 19/02; A47G 23/06; A47J 37/10; A47J 37/0694; A47J 36/022; A47J 43/18; A47J 37/067; A47J 37/0786; A47J 37/108; A47J 37/06; A47J 27/14; A47J 37/00; A47J 37/01; B65D 81/3453; B65D 1/36; B65D 2543/00092; F24C 15/16; F24C 15/10; F24C 15/107

See application file for complete search history.

(56) **References Cited**

U.S. PATENT DOCUMENTS

D286,128 S	*	10/1986	Bowen	D7/402
D286,129 S	*	10/1986	Bowen	D7/402
D297,604 S	*	9/1988	Hagberg	D7/359
D303,066 S	*	8/1989	Gadzinski	D7/409
D373,285 S	*	9/1996	Coroama	D7/359

(Continued)

OTHER PUBLICATIONS

Solo Stove Cookware Cast Iron Grill Top, Amazon.com, first available date: Feb. 16, 2022. Retrieved from the internet Aug. 3, 2022<URL: <https://www.amazon.com/Solo-Stove-Cookware-Fireplace-accessory/dp/B09SLTBDSR> (Year: 2022).*

Primary Examiner — Joseph Kukella
Assistant Examiner — Darryl J Dardenne

(74) *Attorney, Agent, or Firm* — Haynes and Boone, LLP

(57) **CLAIM**

The ornamental design for a cookware article, as shown and described.

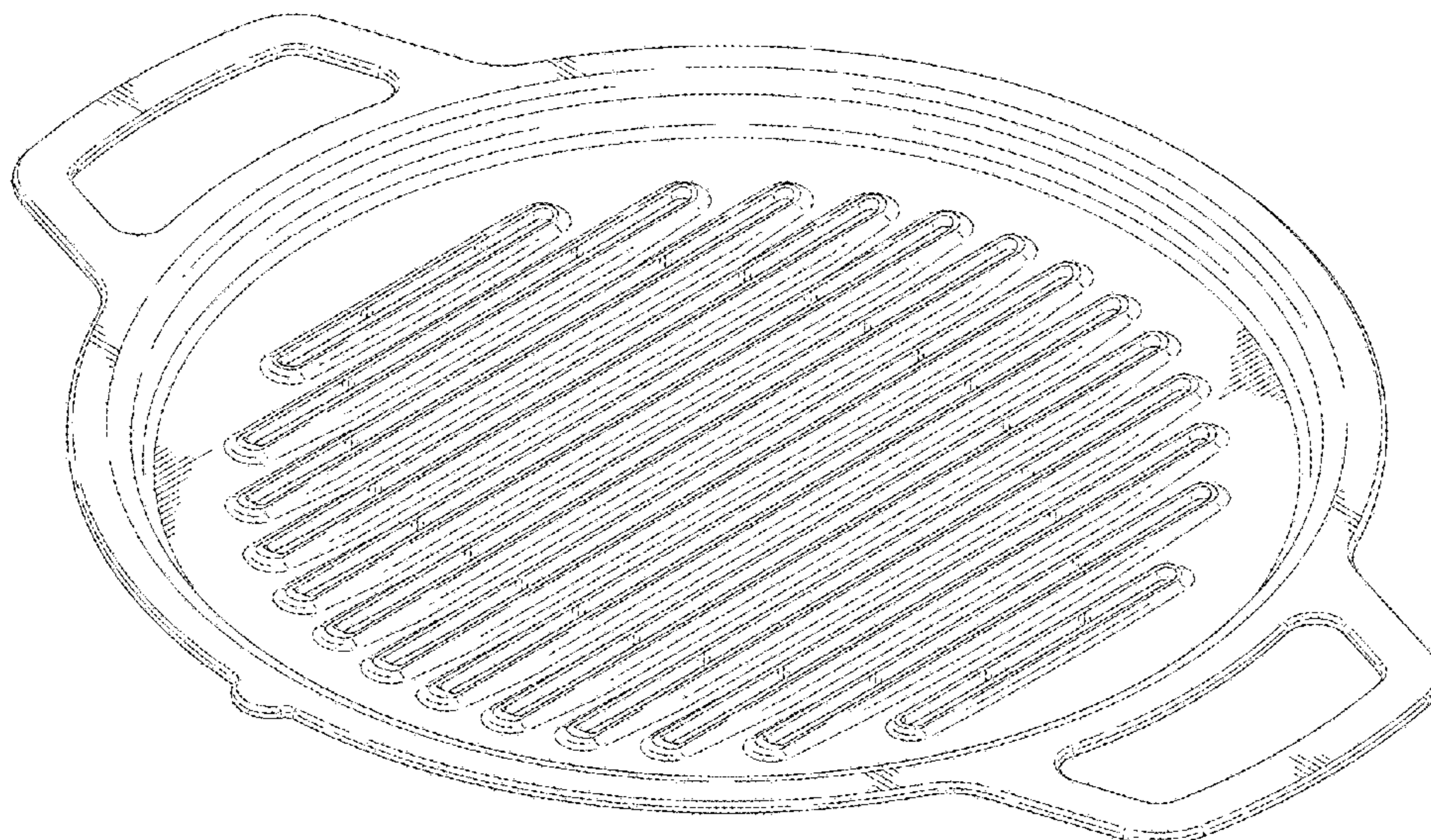
DESCRIPTION

FIG. 1 is a front perspective view of a cookware article showing our new design;
FIG. 2 is a top plan view of the cookware article;
FIG. 3 is a bottom plan view of the cookware article;
FIG. 4 is a front elevational view of the cookware article;
FIG. 5 is a rear elevational view of the cookware article;
FIG. 6 is a left side elevational view of the cookware article;
FIG. 7 is a right side elevational view of the cookware article;
FIG. 8 is a view similar to FIG. 1 but with additional broken lines; and,
FIG. 9 is a view similar to FIG. 4 but with additional broken lines.

The broken lines in FIGS. 8 and 9 show unclaimed environmental structure that forms no part of the claimed design, which unclaimed environmental structure includes a fire pit and a stand for supporting the cookware article.

The surface shadings and contour lines shown in FIGS. 1-9 represent the three-dimensional character and contour of the cookware article, and are not intended to limit the cookware article to any particular materials, colors, or surface decorations. The different surface shadings are used to indicate contrasting materials.

1 Claim, 7 Drawing Sheets



(56)

References Cited

U.S. PATENT DOCUMENTS

D428,305	S	*	7/2000	Berkes	D7/409
D439,469	S	*	3/2001	Ferrer	D7/360
D470,006	S	*	2/2003	Cooper	D7/360
D598,714	S	*	8/2009	Aagaard	D7/584
D696,548	S	*	12/2013	Weskamp	D7/354
D707,078	S	*	6/2014	Rivera	D7/354
D731,231	S	*	6/2015	Steininger	D7/354
D779,871	S	*	2/2017	Zemel	D7/354
D833,204	S	*	11/2018	Lee	D7/354
D860,727	S	*	9/2019	Eom	D7/354
D871,139	S	*	12/2019	Peterson	D7/409
D883,023	S	*	5/2020	Hollinger	D7/354
D896,029	S	*	9/2020	Thompson	D7/409
D952,395	S	*	5/2022	Li	D7/354
D957,879	S	*	7/2022	Farrer	D7/409

* cited by examiner

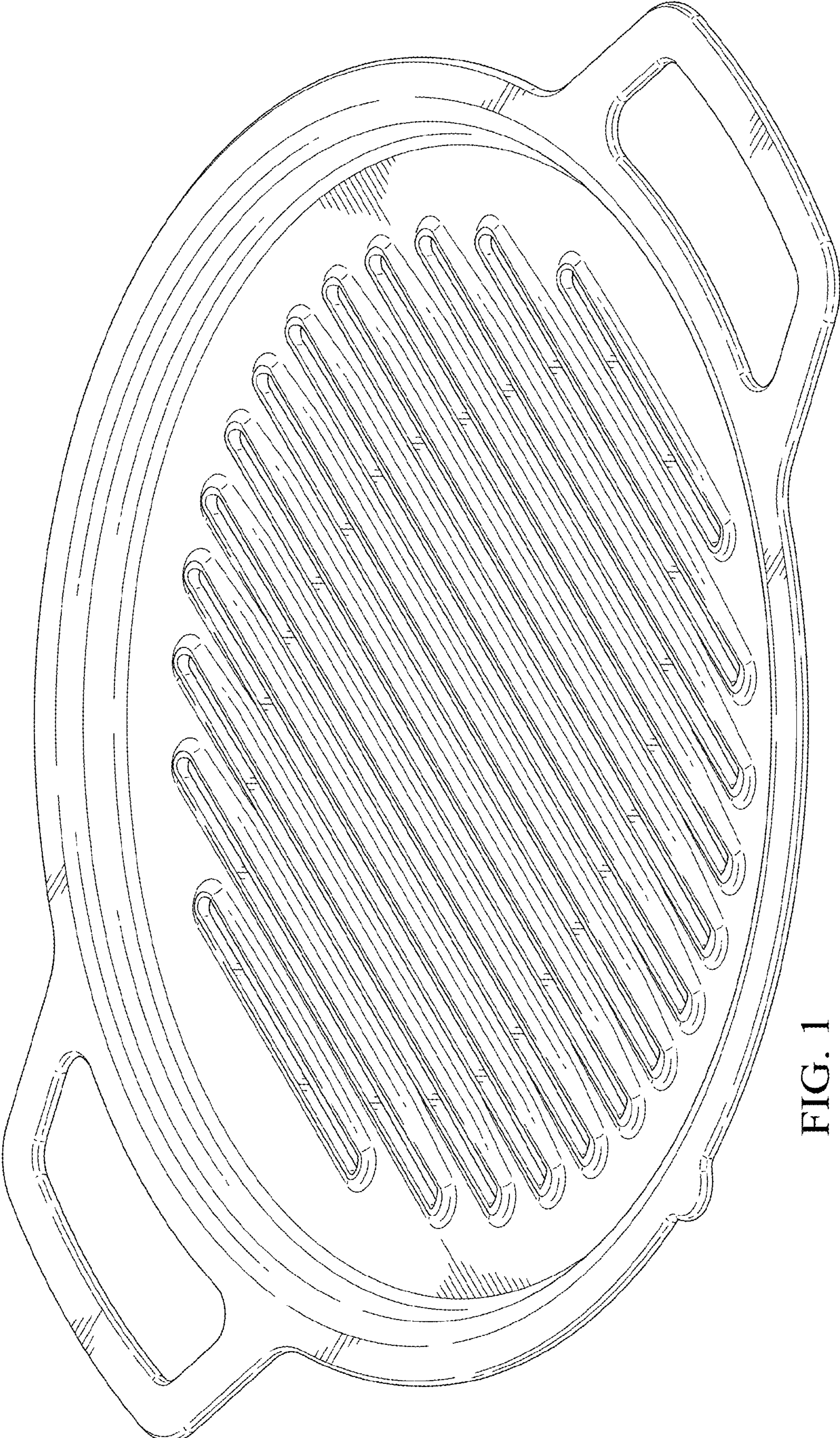


FIG. 1

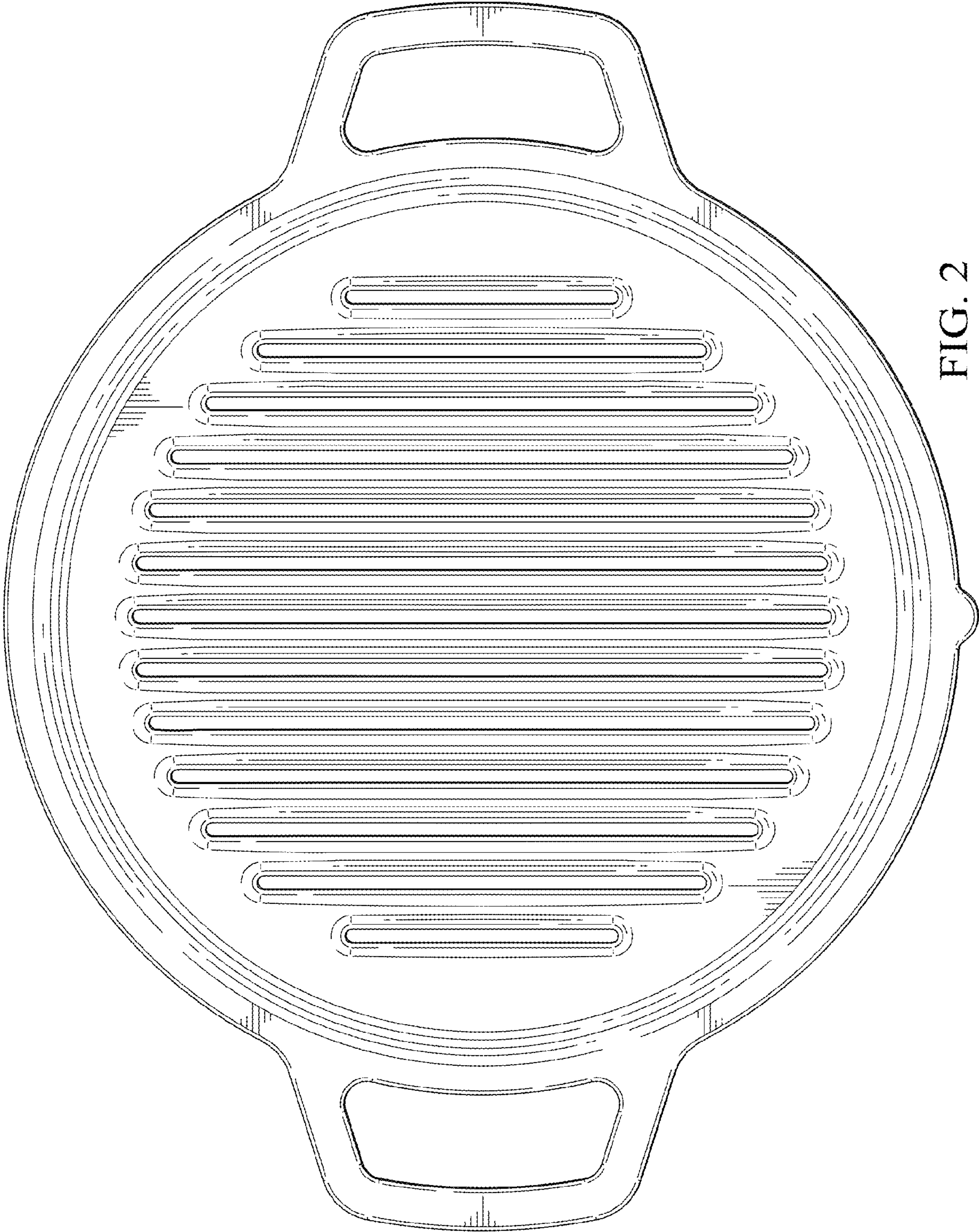


FIG. 2

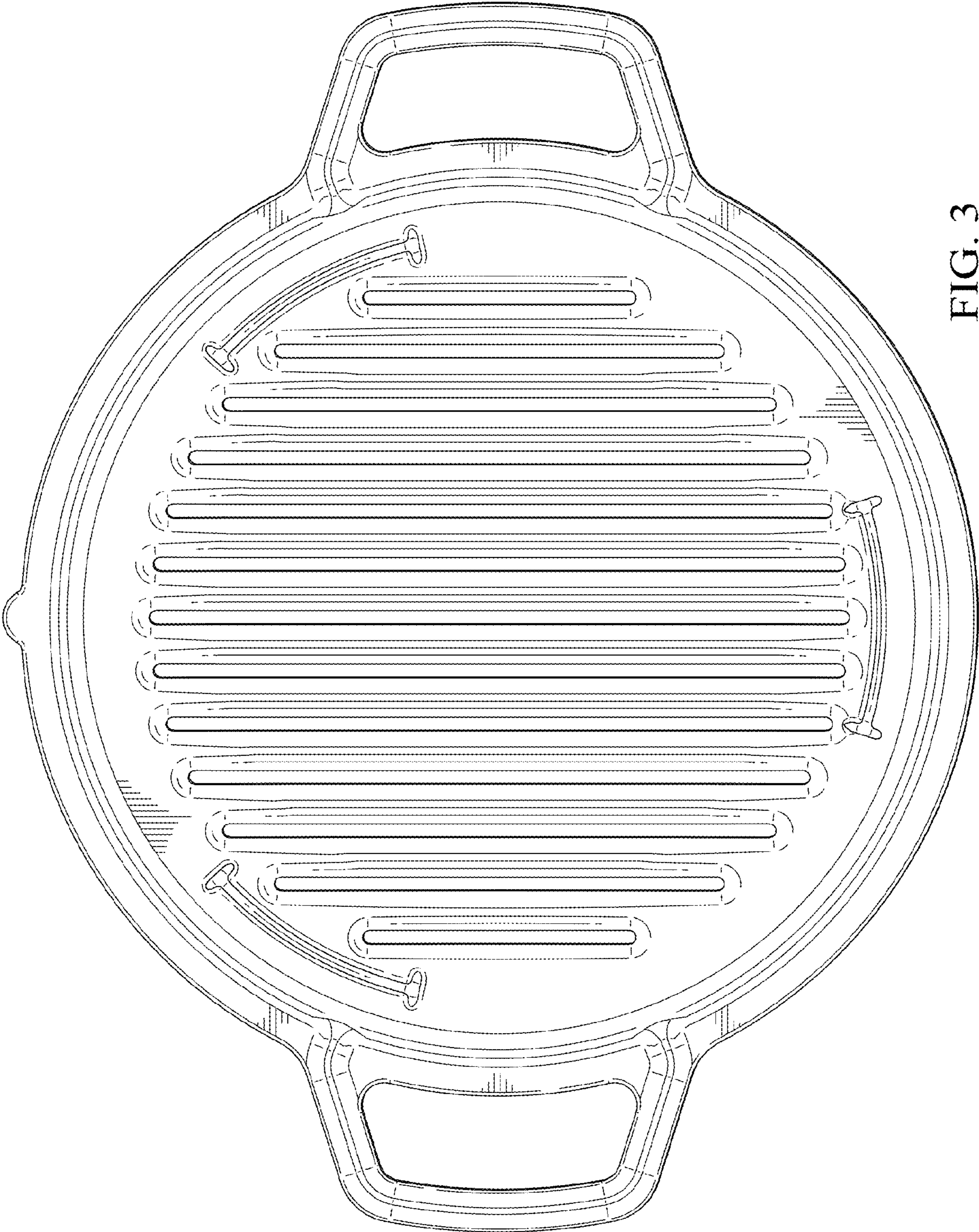


FIG. 3

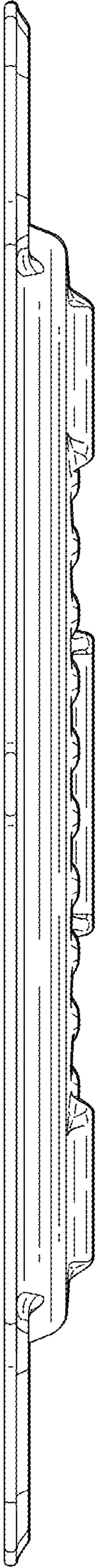


FIG. 4

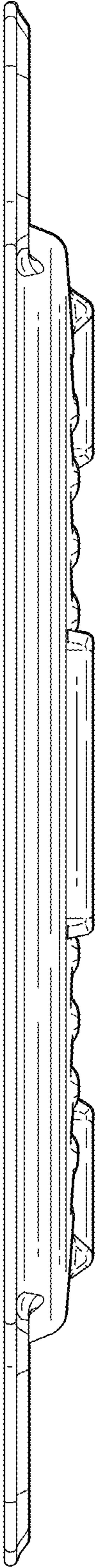


FIG. 5

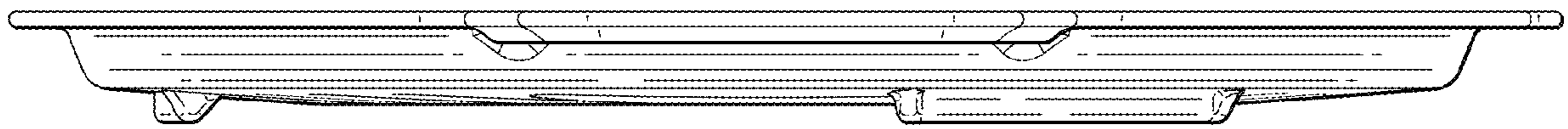


FIG. 6

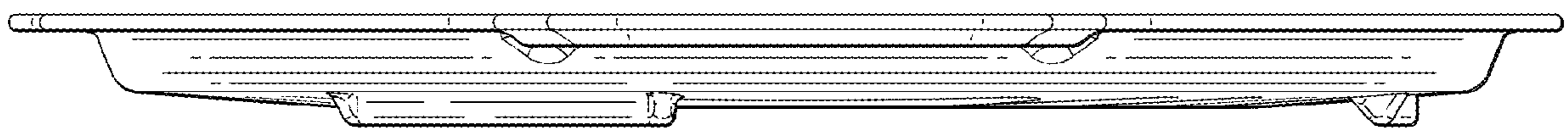


FIG. 7

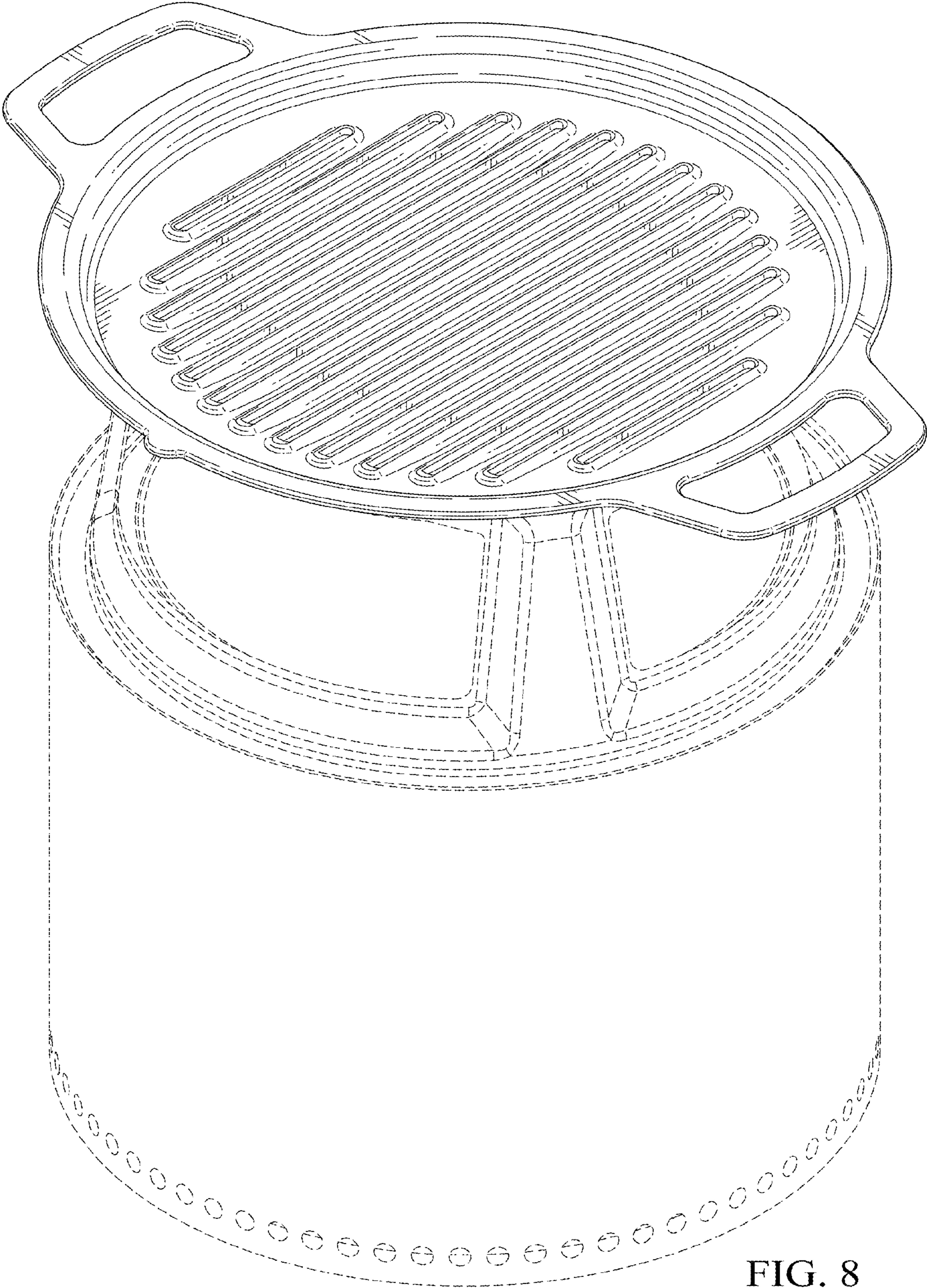


FIG. 8

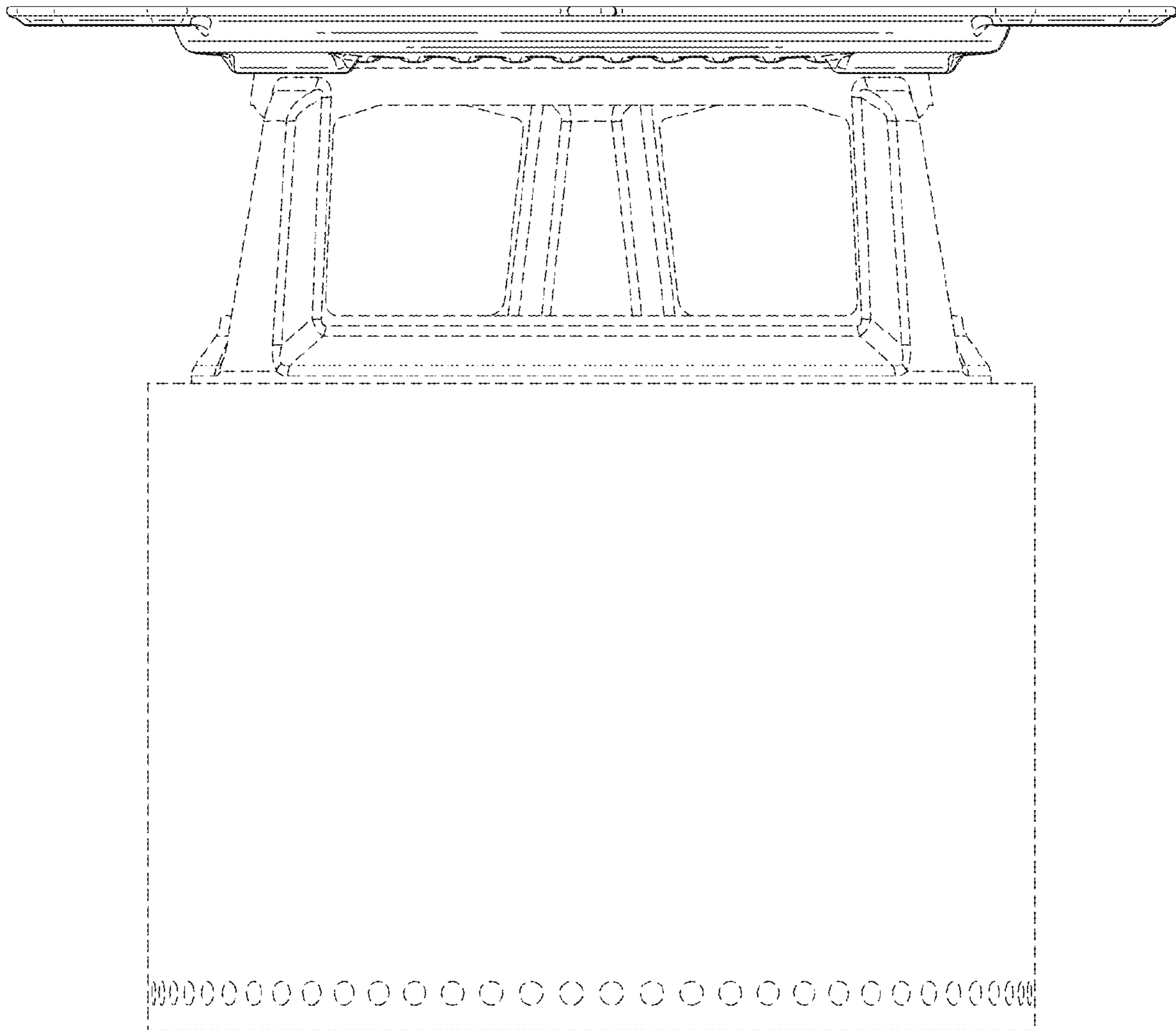


FIG. 9