



US00D974109S

(12) **United States Design Patent** (10) **Patent No.:** **US D974,109 S**  
**Kurlander** (45) **Date of Patent:** **\*\* Jan. 3, 2023**

(54) **PAIR OF HANDLES FOR A BRAISER**

(56) **References Cited**

(71) Applicant: **21imports LLC**, Lakewood, NJ (US)

U.S. PATENT DOCUMENTS

(72) Inventor: **Dov Kurlander**, Lakewood, NJ (US)

D196,710 S \* 10/1963 Morgan ..... D8/DIG. 1  
D270,030 S \* 8/1983 Catry ..... D7/360

(73) Assignee: **21imports LLC**, Lakewood, NC (US)

(Continued)

(\*\*) Term: **15 Years**

FOREIGN PATENT DOCUMENTS

(21) Appl. No.: **29/783,072**

CN 301408158 \* 12/2010  
CN 306166505 \* 11/2020  
KR 301063633.0000 \* 6/2020

(22) Filed: **May 11, 2021**

OTHER PUBLICATIONS

(51) **LOC (14) Cl.** ..... **07-02**

Vancasso Casserole Dish, posted Oct. 11, 2021 [online], [retrieved Aug. 24, 2022]. Retrieved on internet, <https://www.amazon.co.uk/vancasso-Casserole-Enamelled-Naturally-Non-Stick/dp/B09J4NFBC3> (Year: 2021).\*

(52) **U.S. Cl.**

USPC ..... **D7/394**

(Continued)

(58) **Field of Classification Search**

USPC ..... D7/323, 347, 354-364, 366, 369, 402, D7/406, 387, 391, 393, 394, 395, 396, D7/409, 500, 512, 545, 602, 622, 624.1, D7/629, 647, 667, 669, 678, 688, 700, D7/705; D8/80, 83, 94, 97, 107, 300, D8/310, 315, 320, 321; D6/329, 641, D6/663, 672, 702

CPC ..... A47J 17/04; A47J 19/00; A47J 19/005; A47J 19/027; A47J 2202/00; A47J 2027/008; A47J 2027/043; A47J 2027/046; A47J 27/00; A47J 27/004; A47J 27/04; A47J 27/05; A47J 27/06; A47J 27/08; A47J 27/0802; A47J 27/0804; A47J 27/0815; A47J 27/09; A47J 27/092; A47J 27/13; A47J 27/17; A47J 27/60; A47J 36/10; A47J 36/12; A47J 36/14; A47J 36/025; A47J 36/08; A47J 36/06; A47J 36/064; A47J 36/165; A47J 36/20; A47J 37/00; A47J 37/01; A47J 37/061; A47J 37/10; A47J 37/12; A47J 37/1204; A47J 37/1209; A47J 37/101; A47J 37/103; A47J 37/105; A47J 37/1295; A47J 43/22; A47J 43/24; A47J

(Continued)

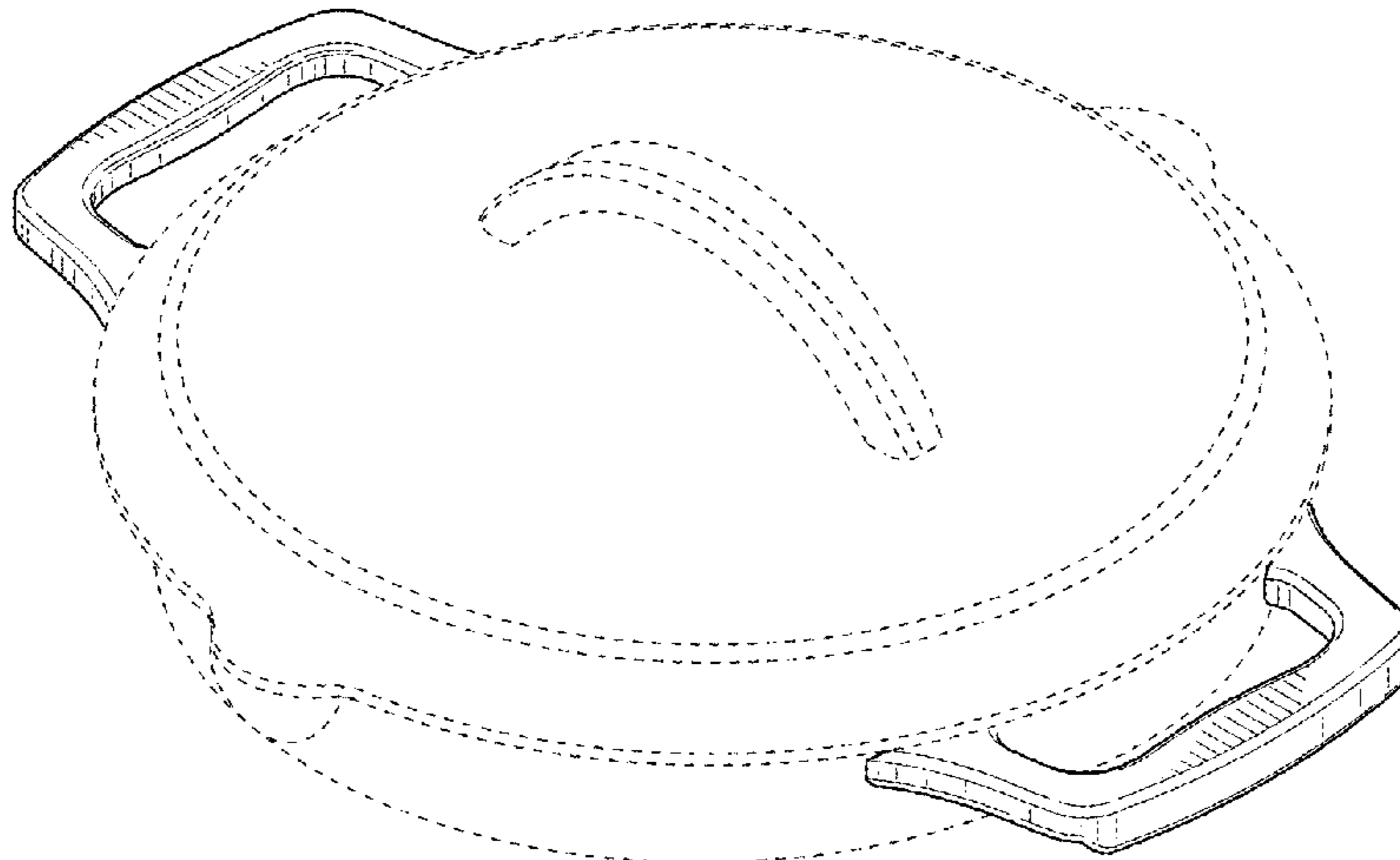
(57) **CLAIM**

The ornamental design for a pair of handles for a braiser, as shown and described.

**DESCRIPTION**

FIG. 1 is a perspective view of a pair of handles for a braiser showing my new design;  
FIG. 2 is a top plan view thereof;  
FIG. 3 is a bottom plan thereof;  
FIG. 4 is a front elevational view thereof;  
FIG. 5 is a rear elevational view thereof;  
FIG. 6 is a right side elevational thereof;  
FIG. 7 is a left side elevational view thereof; and,  
FIG. 8 is a right side elevational view thereof, wherein the braiser is in an open configuration.

(Continued)



The broken lines in the drawings depict portions of the braiser that form no part of the claimed design.

**1 Claim, 5 Drawing Sheets**

**(58) Field of Classification Search**

CPC ..... 43/25; A47J 43/28; A47J 43/288; A47J  
43/284; A47J 43/286; A47J 45/061; A47J  
45/07; A47J 45/071; A47J 45/077; A47J  
45/10

See application file for complete search history.

**(56) References Cited**

**U.S. PATENT DOCUMENTS**

4,666,727 A \* 5/1987 Wang ..... A47J 27/002  
D7/354  
D316,806 S \* 5/1991 Paulson ..... D8/320  
D358,062 S \* 5/1995 Hasuike ..... D7/354  
D494,808 S \* 8/2004 Thomkins ..... D7/394

D543,436 S \* 5/2007 Ricereto ..... D8/316  
D569,704 S \* 5/2008 Ricereto ..... D8/315  
D573,868 S \* 7/2008 Ricereto ..... D8/315  
D619,413 S \* 7/2010 Rae ..... D7/394  
D704,000 S \* 5/2014 Clabots ..... D7/394  
D704,994 S \* 5/2014 Clabots ..... D7/394  
D740,603 S \* 10/2015 Barberi ..... D7/394  
D790,315 S \* 6/2017 Zimmer ..... D8/316  
D812,968 S \* 3/2018 Narvaez Lopez ..... D7/394  
D919,351 S \* 5/2021 Dorion ..... D7/354  
D923,387 S \* 6/2021 Dorion ..... D7/360  
D950,354 S \* 5/2022 Cox ..... D8/315

**OTHER PUBLICATIONS**

Staub Cast Iron, posted Nov. 6, 2014 [online], [retrieved Aug. 24, 2022]. Retrieved on internet, <https://www.amazon.com/Staub-1313425-Double-Handle-13-inch/dp/B00PMVQY2A> (Year: 2014).\*  
Cosmas Flat Black, posted Jan. 17, 2013 [online], [retrieved Aug. 24, 2022]. Retrieved on internet, <https://www.amazon.com/10-Pack-Cabinet-Hardware-Centers/dp/B00B28ALLW> (Year: 2013).\*

\* cited by examiner

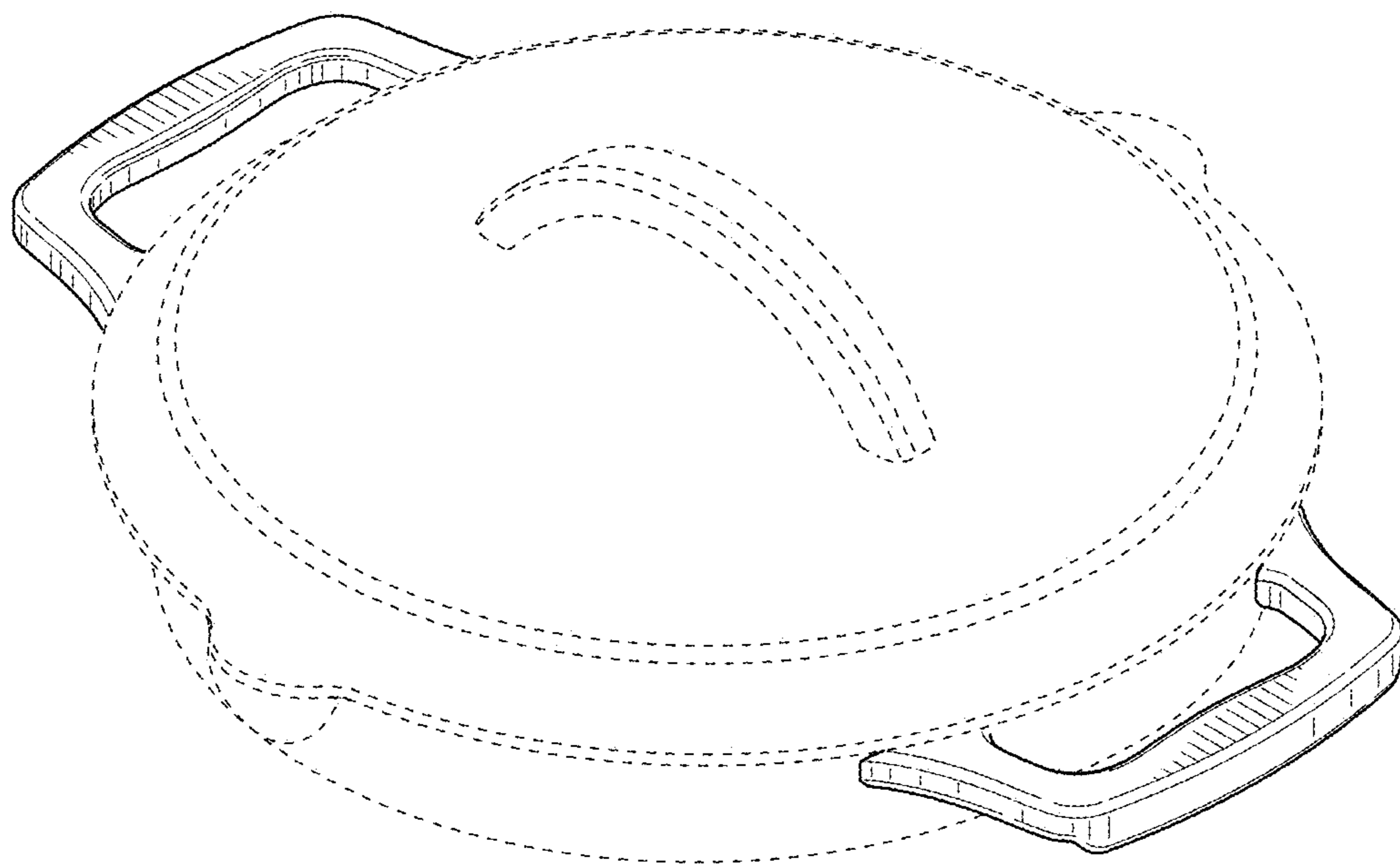


FIG. 1

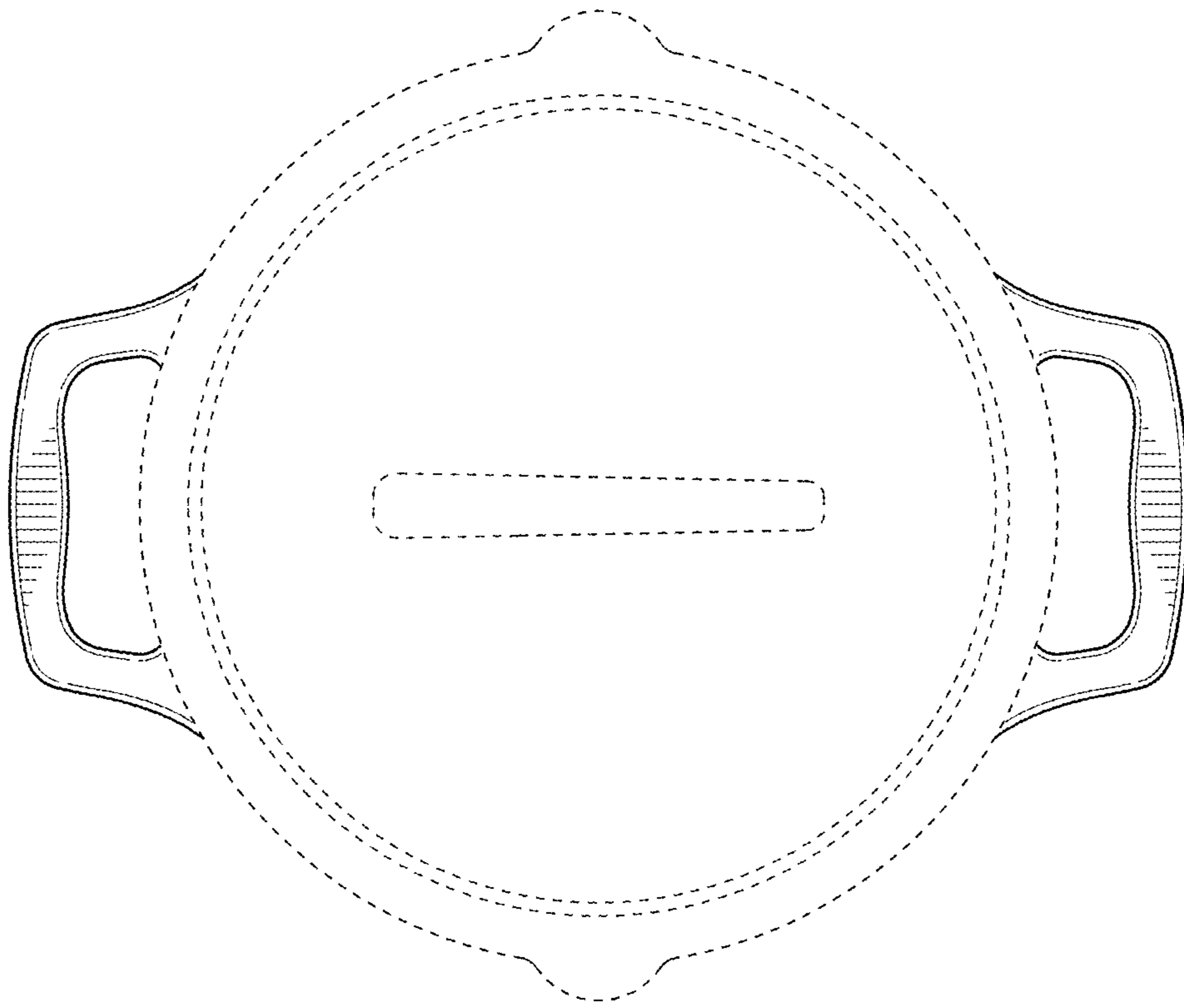


FIG. 2

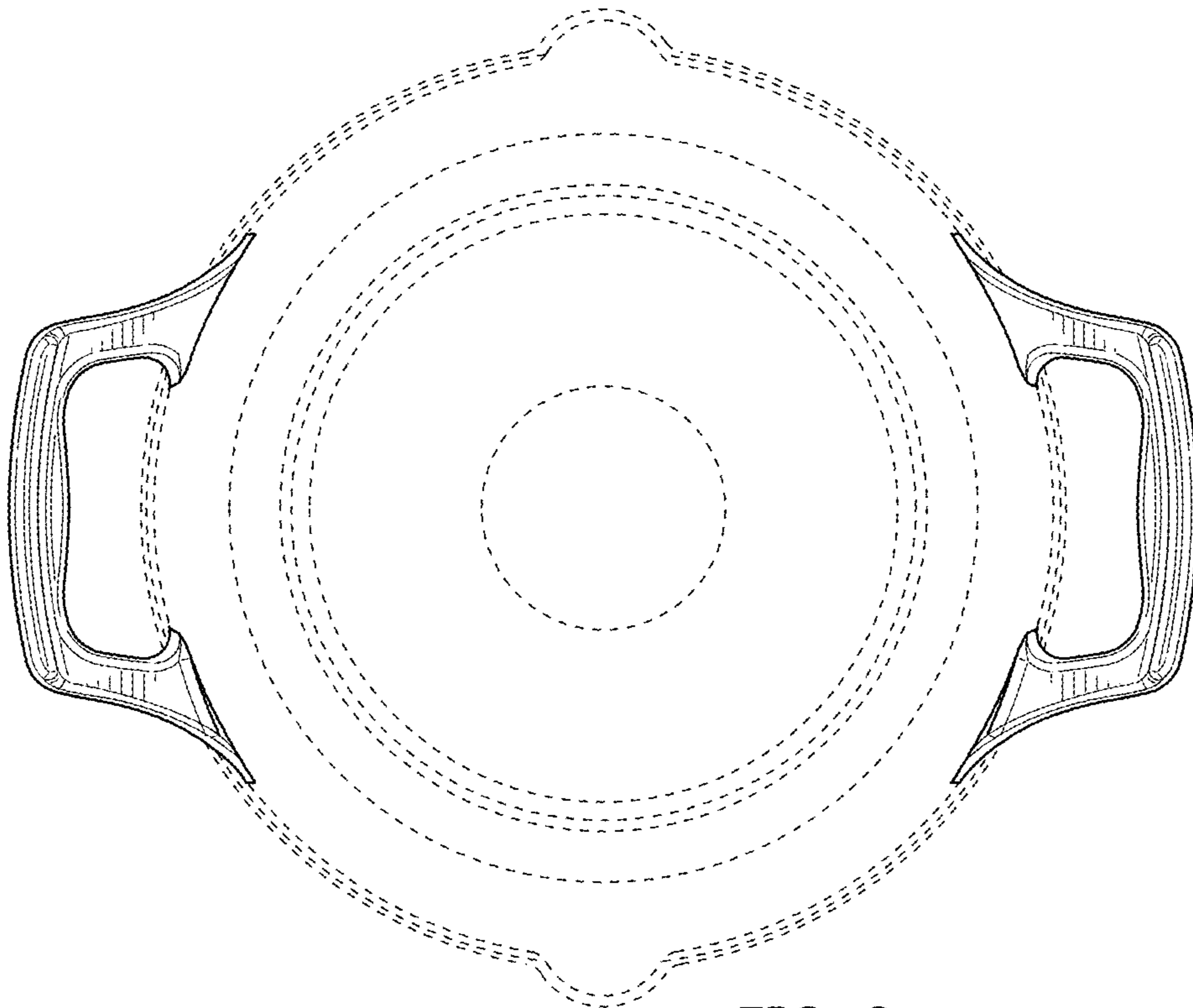


FIG. 3

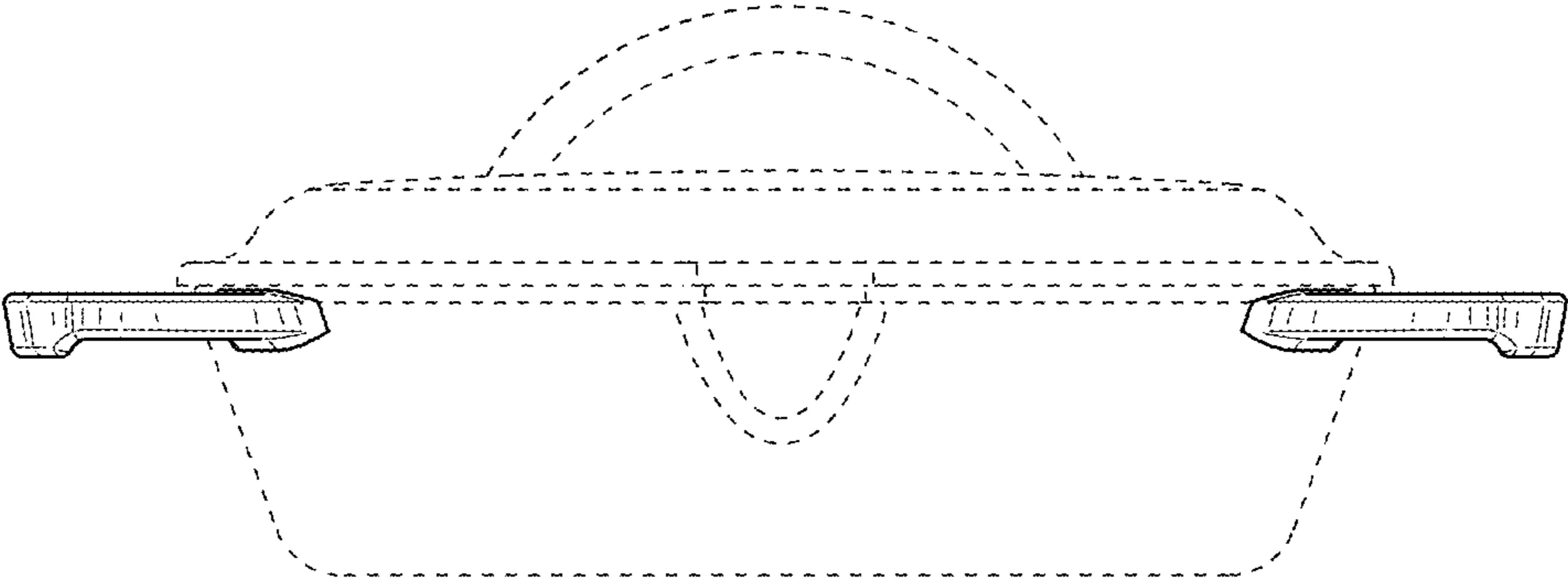


FIG. 4

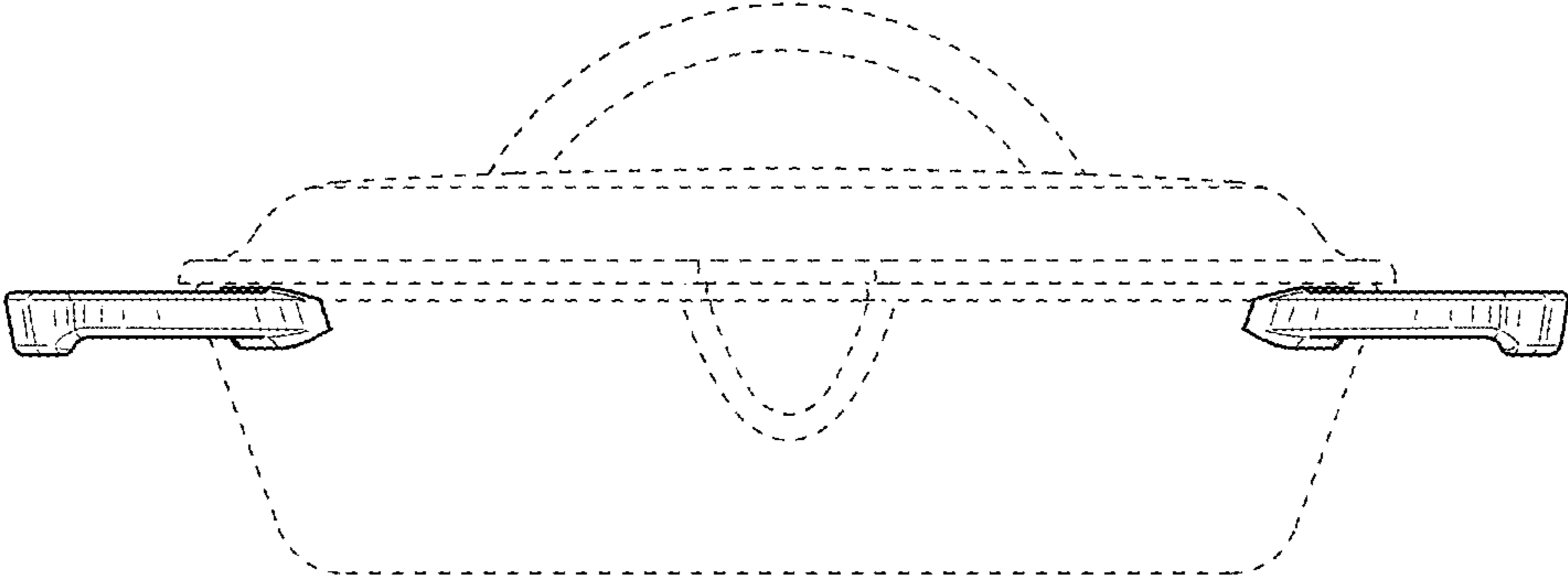


FIG. 5

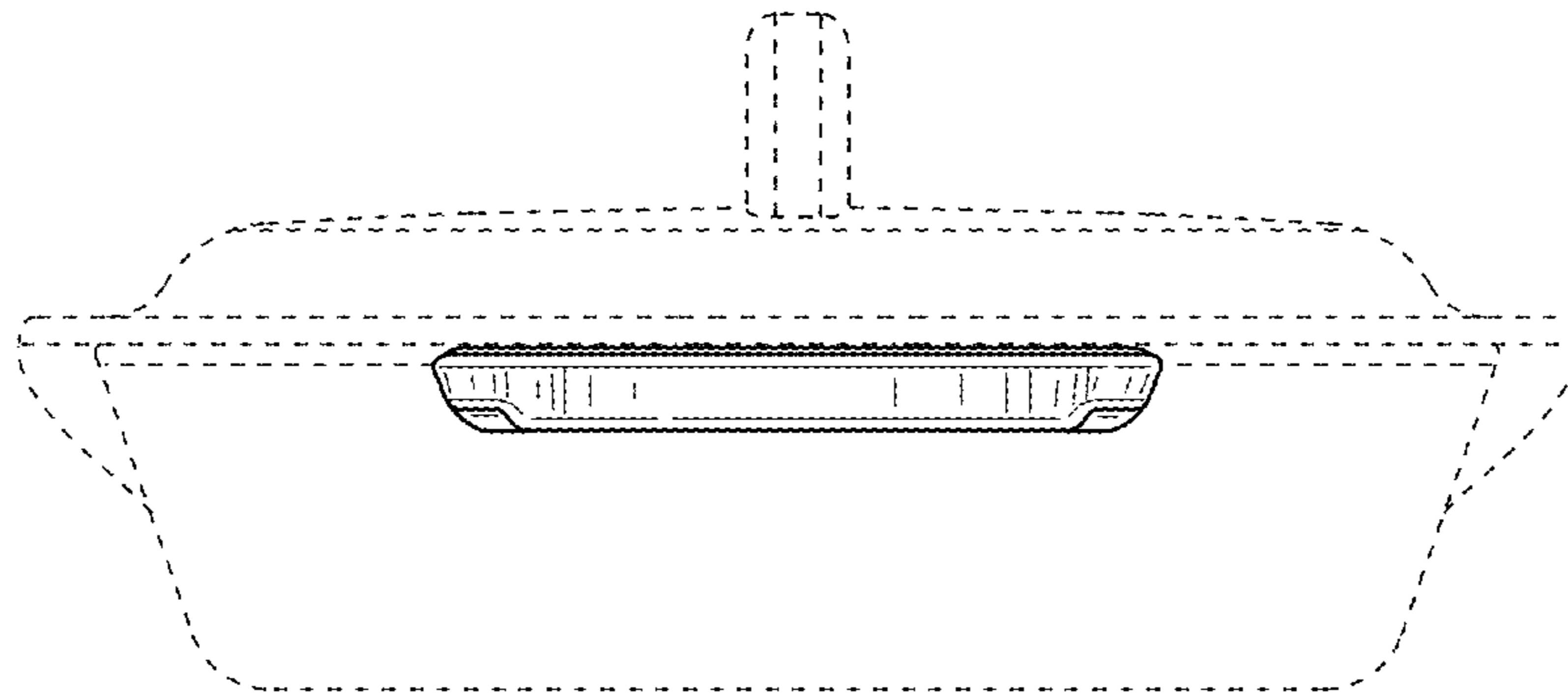


FIG. 6

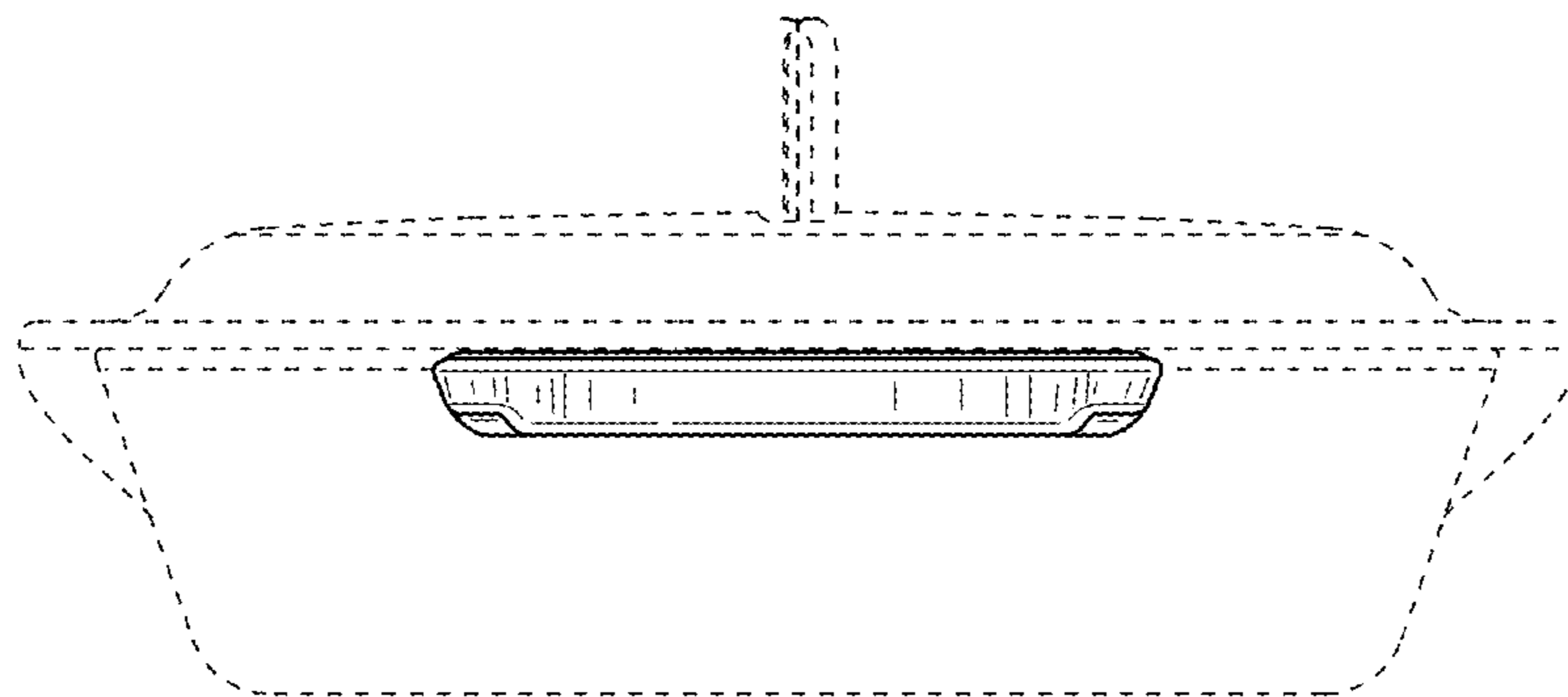


FIG. 7

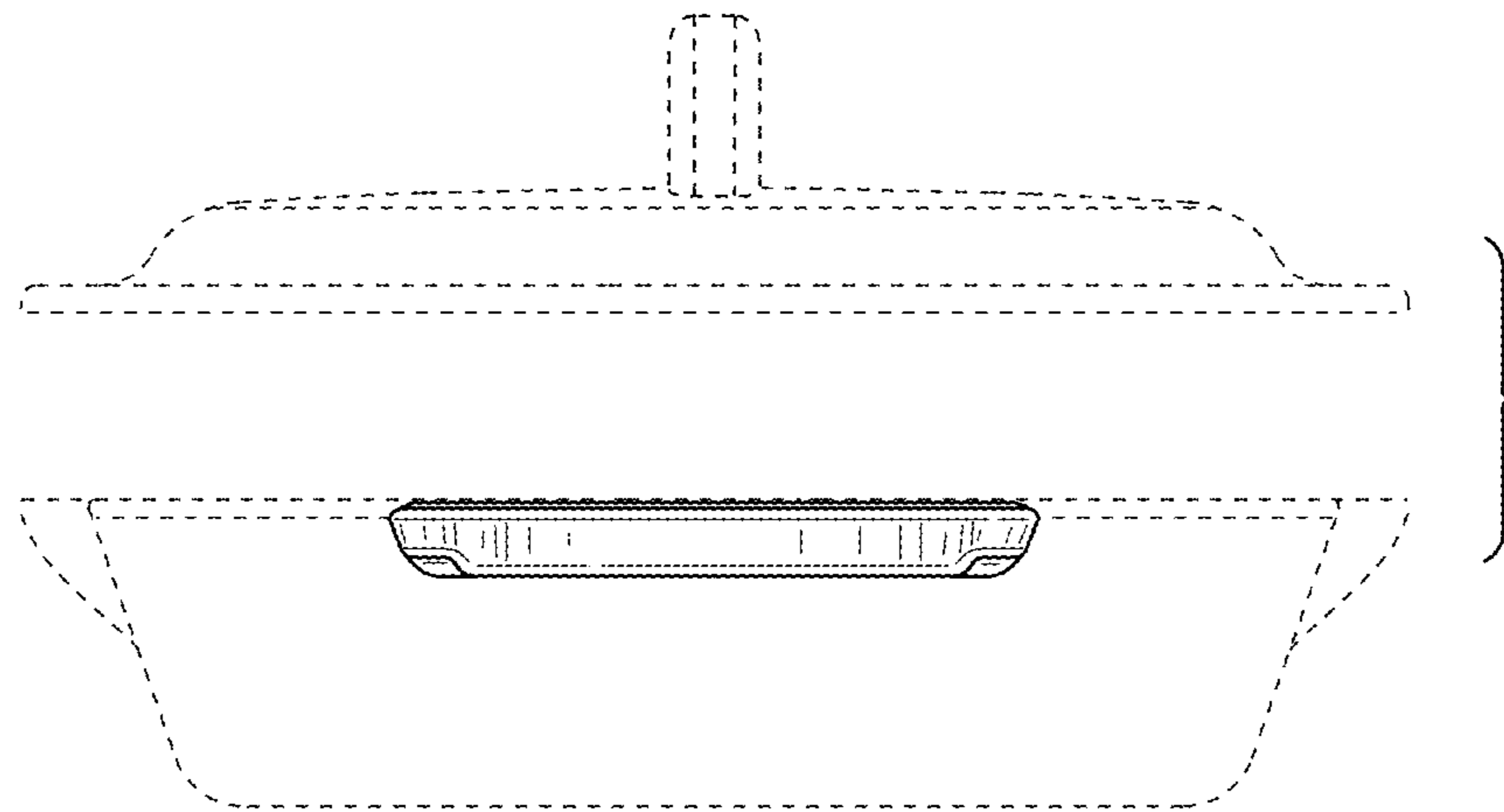


FIG. 8