



US00D974108S

(12) **United States Design Patent**  
**Wang**

(10) **Patent No.:** **US D974,108 S**  
(45) **Date of Patent:** **\*\* Jan. 3, 2023**

- (54) **BOTTLE LID**
- (71) Applicant: **TAIZHOU TAIBO PLASTIC CO., LTD.**, Zhejiang (CN)
- (72) Inventor: **Jinqiao Wang**, Zhejiang (CN)
- (73) Assignee: **TAIZHOU TAIBO PLASTIC CO., LTD.**, Zhejiang (CN)
- (\*\*) Term: **15 Years**
- (21) Appl. No.: **29/814,881**
- (22) Filed: **Nov. 9, 2021**
- (51) **LOC (14) Cl.** ..... **07-02**
- (52) **U.S. Cl.**  
USPC ..... **D7/392.1**
- (58) **Field of Classification Search**  
USPC ..... D7/312, 313, 316, 387, 388, 391, 392, D7/392.1, 393, 396.1, 396.2, 397, 398, D7/400; D9/434-442, 446, 447, 451, D9/452, 453, 454  
CPC ..... B65D 47/2031; B65D 2251/0015; B65D 2251/0071; B65D 2251/20; B65D 85/8046; A61J 1/2096; A61J 1/2051; A61J 1/14; A47J 31/0673  
See application file for complete search history.

D922,136 S \* 6/2021 Lin ..... D9/449  
D929,802 S 9/2021 Han  
D934,026 S 10/2021 Taylor et al.  
D958,592 S \* 7/2022 Zhou ..... D7/392.1

**OTHER PUBLICATIONS**

Aquatix Flip Top Lid: announced (Jul. 15, 2016; online). Site Visited (Aug. 27, 2022). Available from Internet URL: [https://www.amazon.com/Aquatix-ounce-FlipTop-Bottle-Cap/dp/B0711BJR8D/ref=asc\\_df\\_B0711BJR8D/?tag=hyprod-20&linkCode=df0&hvadid=312142017745&hvpos=&hvnetw=g&hvrand=7618918077483775121&hvpone=&hvptwo=&hvtm=&hvdev=c&hvdvcmdl=&hvlocint=&hvlocphy=9059726&hvtargid=pla-568870576526&psc=1.\\*](https://www.amazon.com/Aquatix-ounce-FlipTop-Bottle-Cap/dp/B0711BJR8D/ref=asc_df_B0711BJR8D/?tag=hyprod-20&linkCode=df0&hvadid=312142017745&hvpos=&hvnetw=g&hvrand=7618918077483775121&hvpone=&hvptwo=&hvtm=&hvdev=c&hvdvcmdl=&hvlocint=&hvlocphy=9059726&hvtargid=pla-568870576526&psc=1.*)  
[https://www.amazon.com/Protective-Hydroflask-Replacement-Silicone-accessorie/dp/B0B3QQC9YW/ref=d\\_pb\\_allspark\\_dp\\_sims\\_pao\\_desktop\\_session\\_based\\_scl\\_3\\_2/147-0317017-8745449?pd\\_rd\\_w=zuiXy&content-id=amzn1.sym.6b5008ac-c24a-4aea-a3ea-015a531184f5&pf\\_rd\\_p=6b5008ac-c24a-4aea-a3ea-015a531184f5&pf\\_rd\\_r=1ZEAD0HHSXBJQJDC4S.\\*](https://www.amazon.com/Protective-Hydroflask-Replacement-Silicone-accessorie/dp/B0B3QQC9YW/ref=d_pb_allspark_dp_sims_pao_desktop_session_based_scl_3_2/147-0317017-8745449?pd_rd_w=zuiXy&content-id=amzn1.sym.6b5008ac-c24a-4aea-a3ea-015a531184f5&pf_rd_p=6b5008ac-c24a-4aea-a3ea-015a531184f5&pf_rd_r=1ZEAD0HHSXBJQJDC4S.*)

\* cited by examiner

*Primary Examiner* — Catherine S Posthauer  
(74) *Attorney, Agent, or Firm* — ScienBiziP, P.C.

(56) **References Cited**

**U.S. PATENT DOCUMENTS**

- 5,037,122 A \* 8/1991 Beckerer, Jr. .... B60D 1/60 280/507
- 8,833,586 B2 \* 9/2014 Meyers ..... B65D 47/089 215/396
- D748,943 S \* 2/2016 Miller ..... D7/392.1
- D752,916 S \* 4/2016 Goodwin ..... D7/392.1
- D756,702 S \* 5/2016 Joseph ..... D7/392.1
- D794,386 S \* 8/2017 Steel ..... D7/396.2
- D824,721 S \* 8/2018 Hu ..... D7/392.1
- D847,563 S \* 5/2019 Jacobsen ..... D7/396.2
- D895,352 S \* 9/2020 Yao ..... D7/392.1
- D903,404 S \* 12/2020 Bram ..... D9/449
- D913,036 S \* 3/2021 Steenari ..... D7/392.1
- D920,739 S \* 6/2021 Omdahl, II ..... D7/392.1

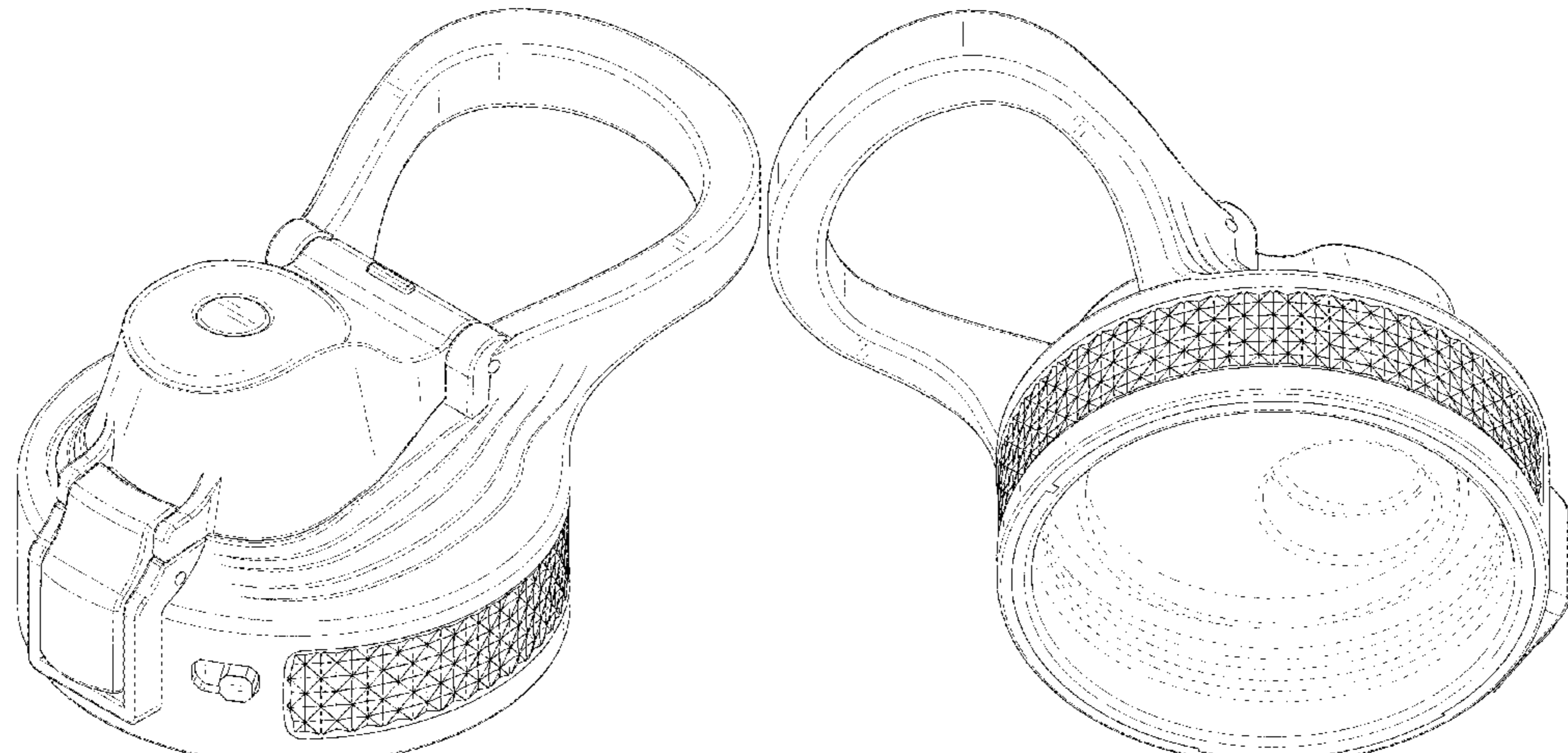
(57) **CLAIM**

The ornamental design for a bottle lid, as shown and described.

**DESCRIPTION**

FIG. 1 is a front, right and top perspective view of a bottle lid, showing my design.  
FIG. 2 is a rear, left and bottom perspective view thereof.  
FIG. 3 is a front elevation view thereof.  
FIG. 4 is a rear elevation view thereof.  
FIG. 5 is a left side elevation view thereof.  
FIG. 6 is a right side elevation view thereof.  
FIG. 7 is a top plan view thereof; and,  
FIG. 8 is a bottom plan view thereof.

(Continued)



The broken lines shown in the drawings are included for the purpose of illustrating portions of the bottle lid that form no part of the claimed design.

**1 Claim, 8 Drawing Sheets**

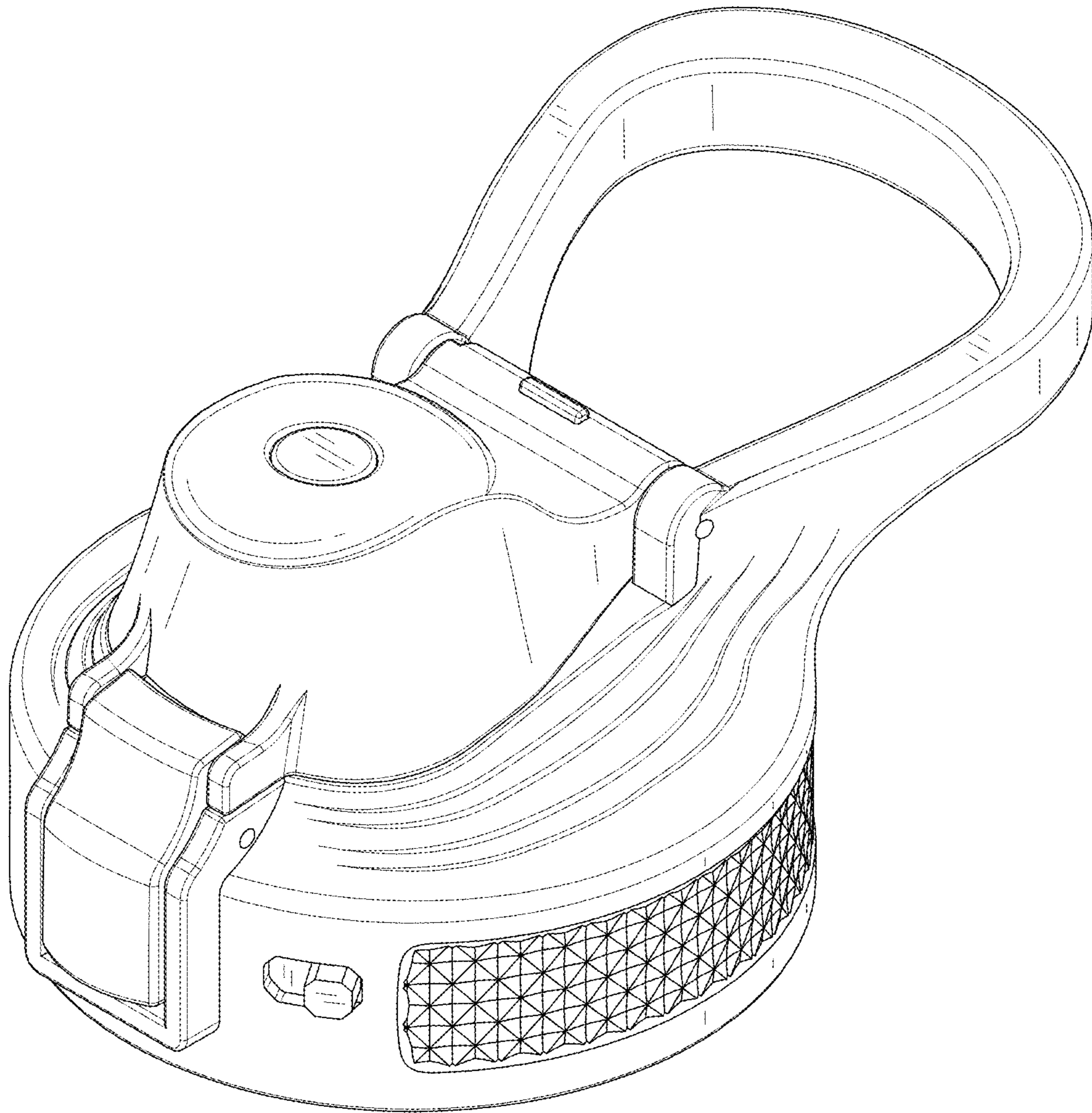


FIG. 1



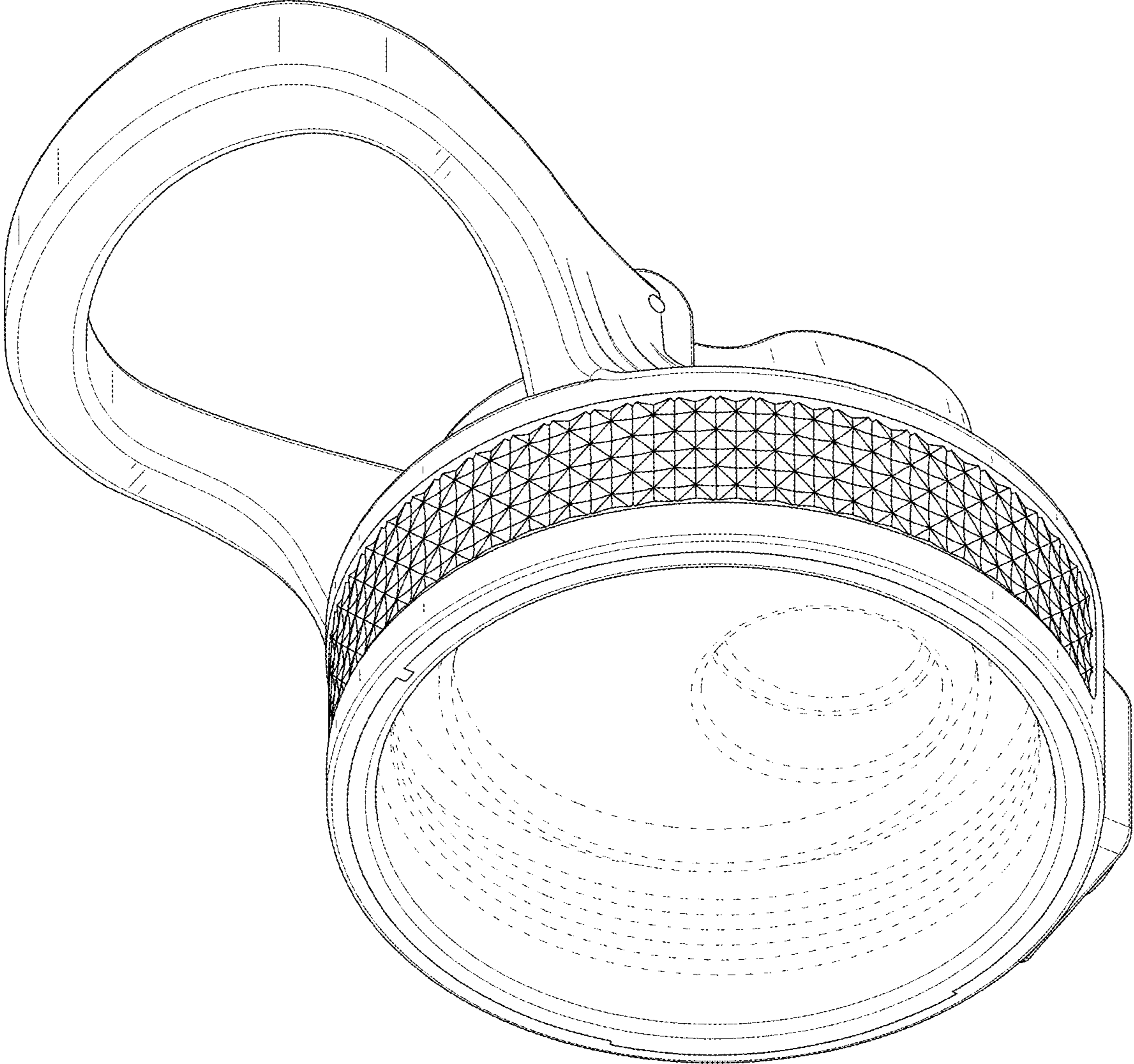


FIG. 2

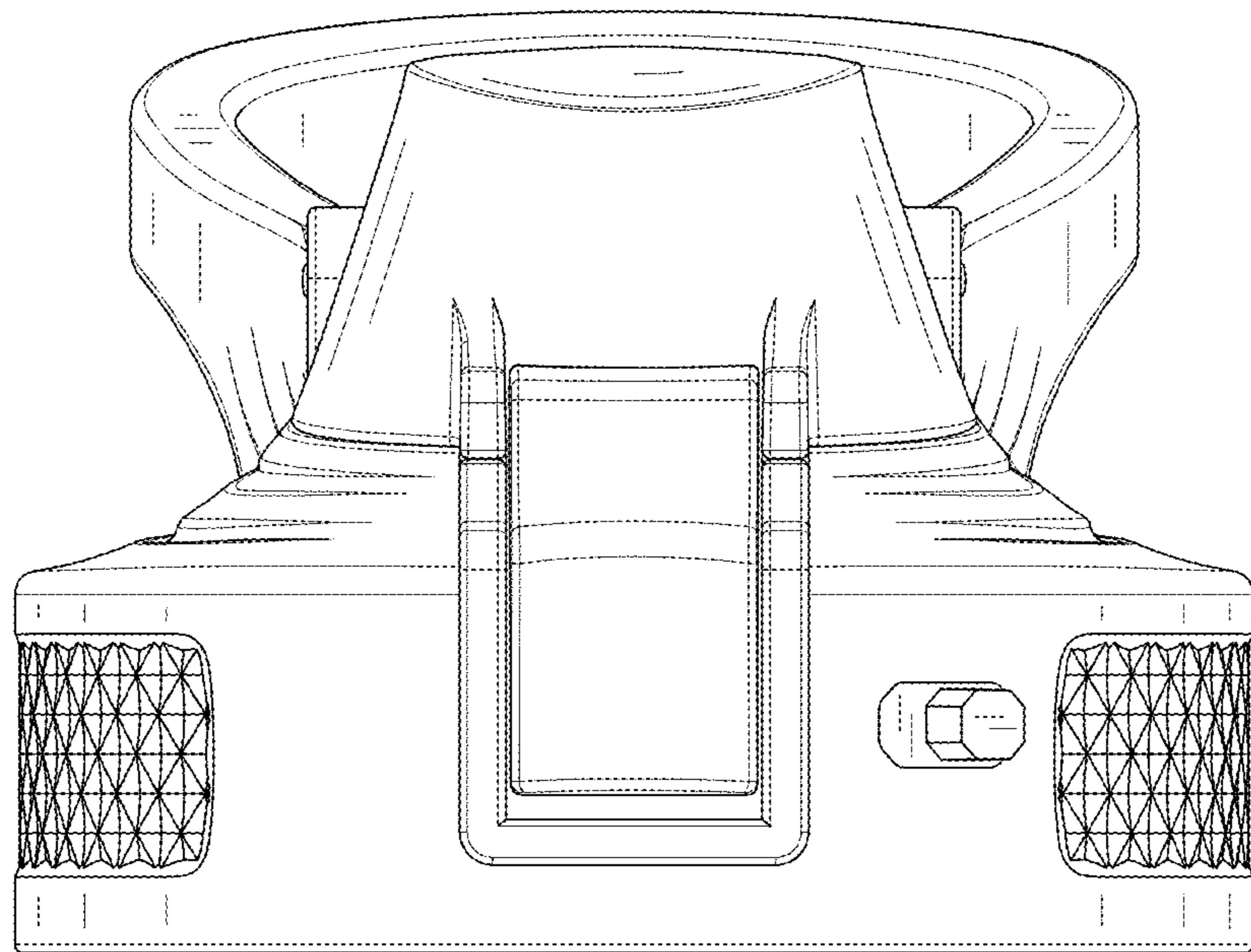


FIG. 3

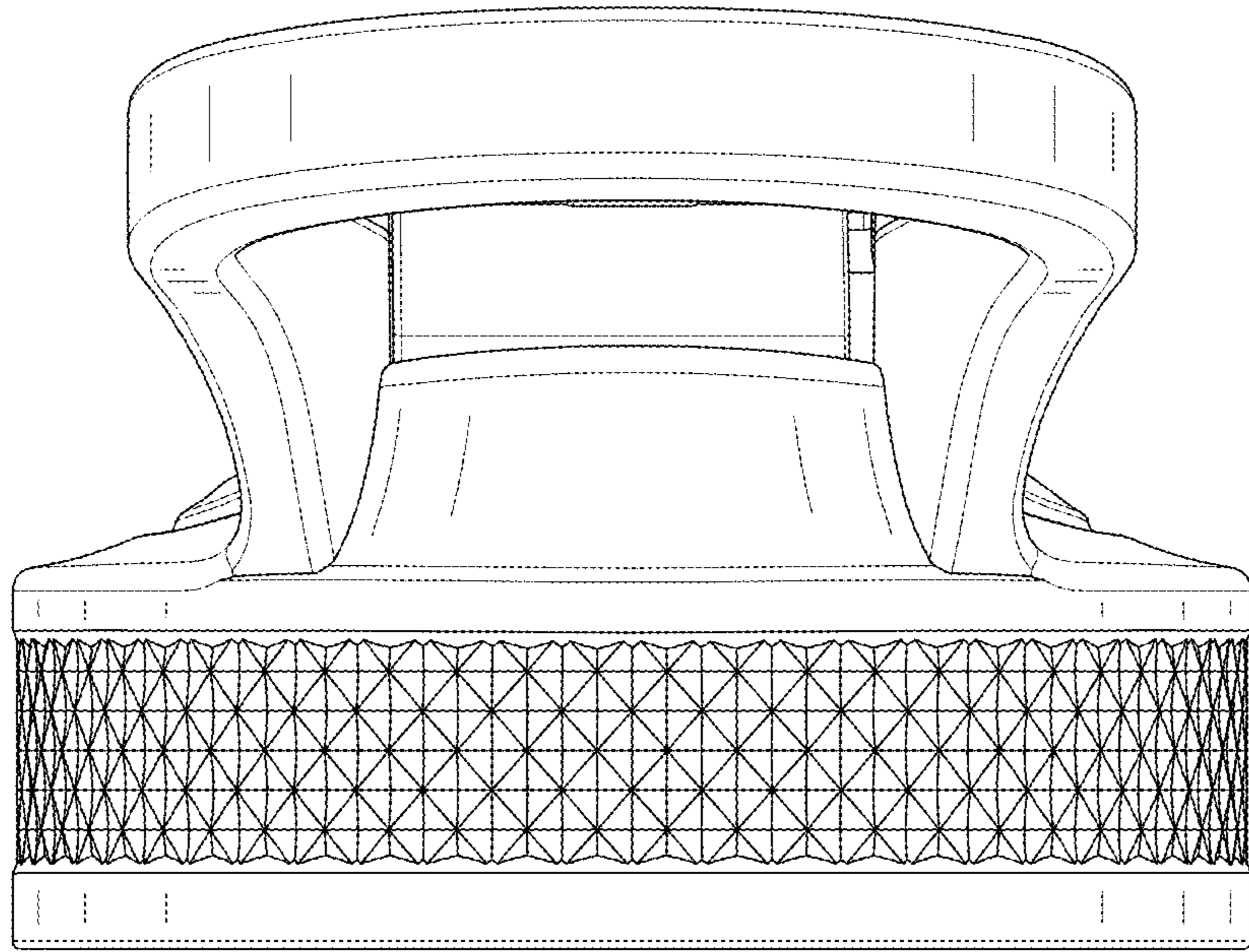


FIG. 4

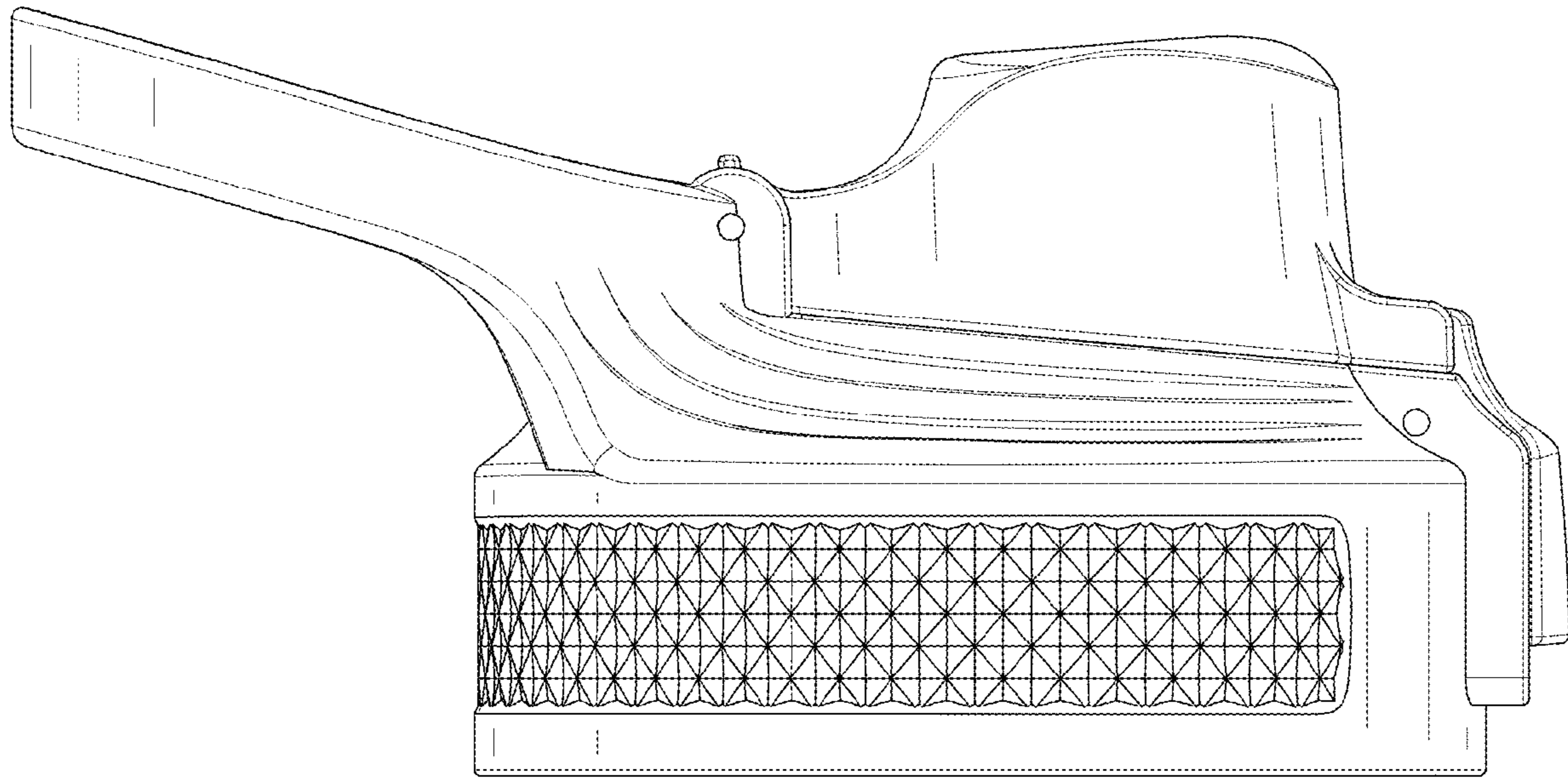


FIG. 5

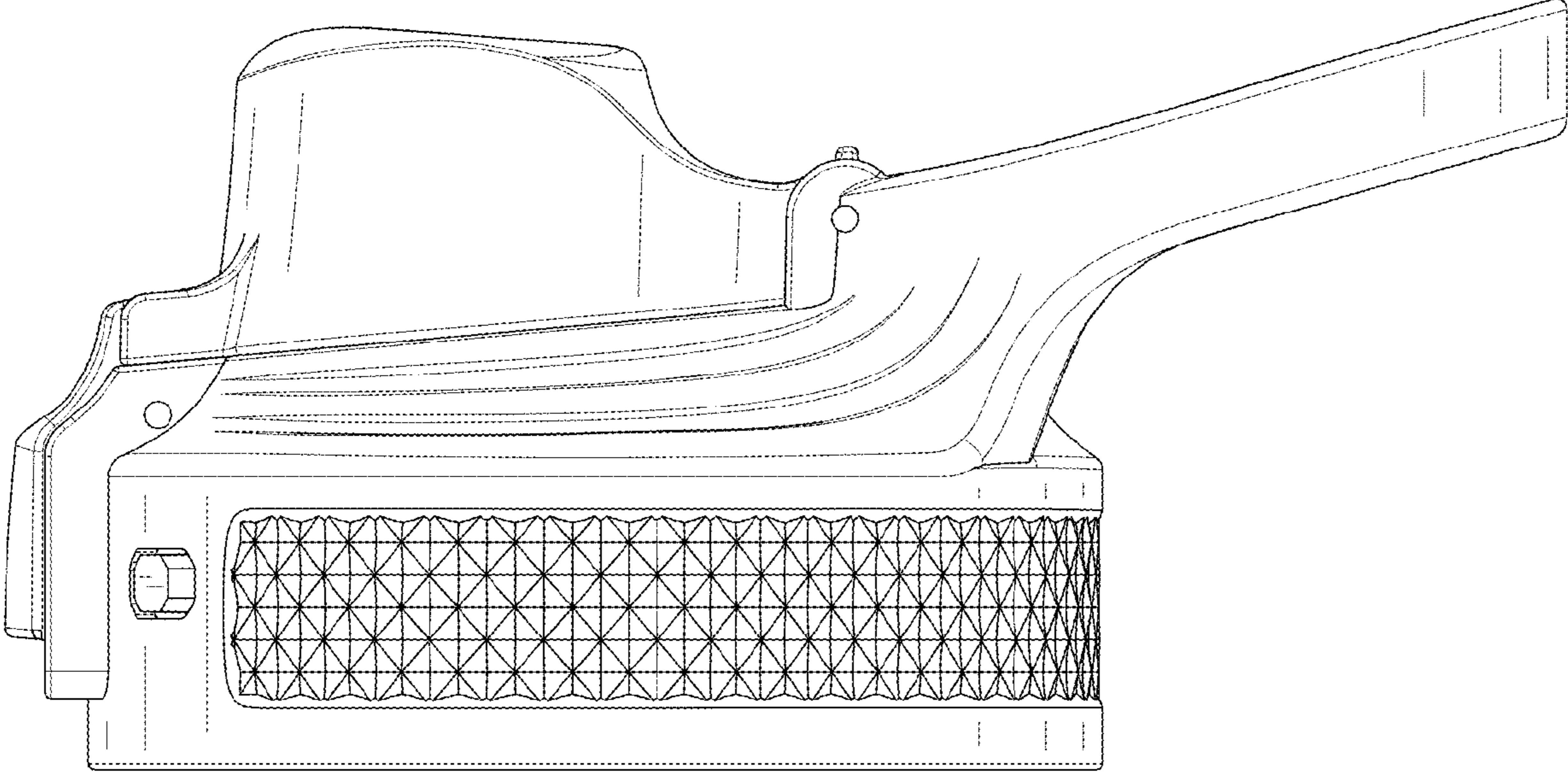


FIG. 6



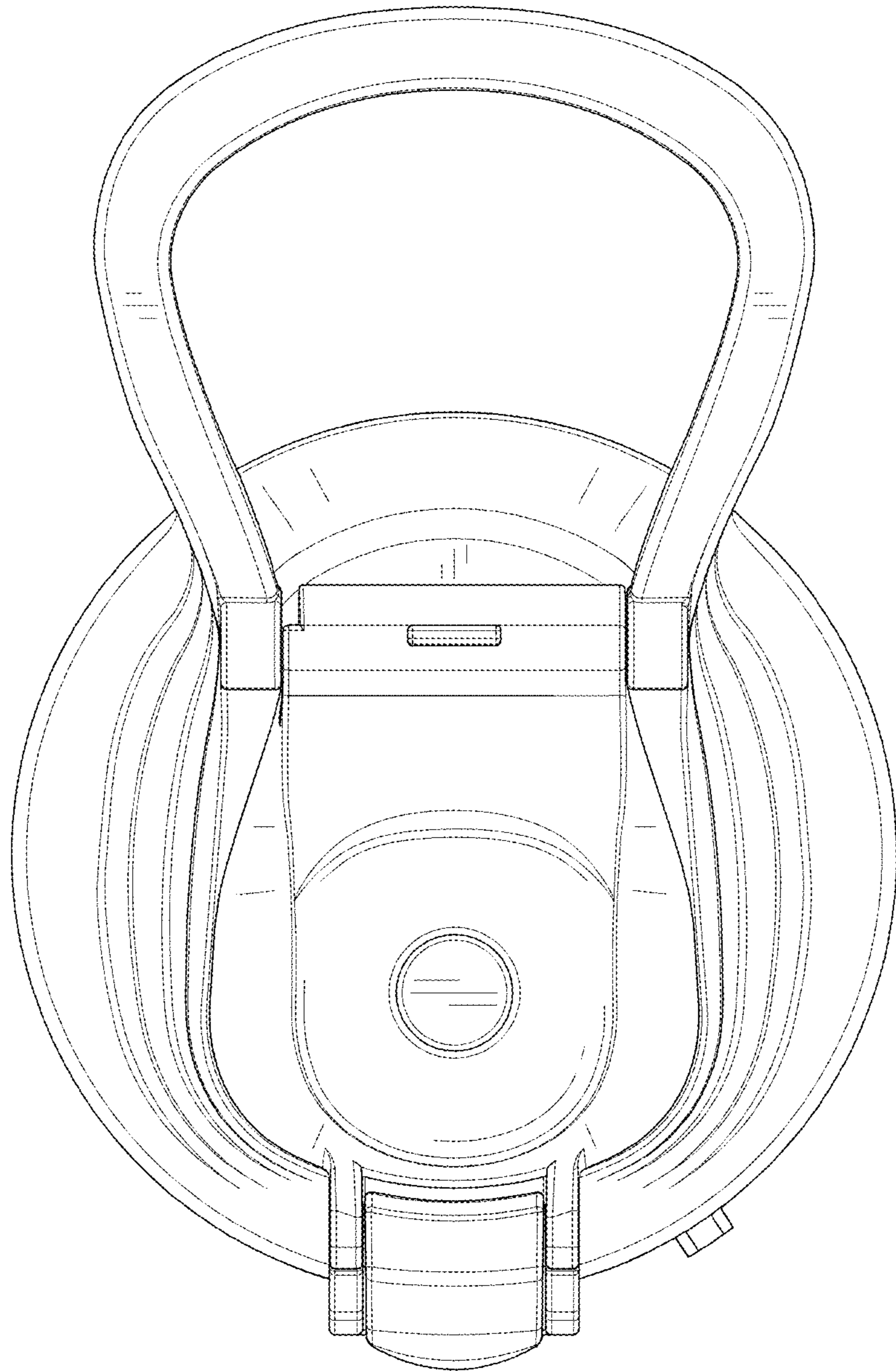


FIG. 7

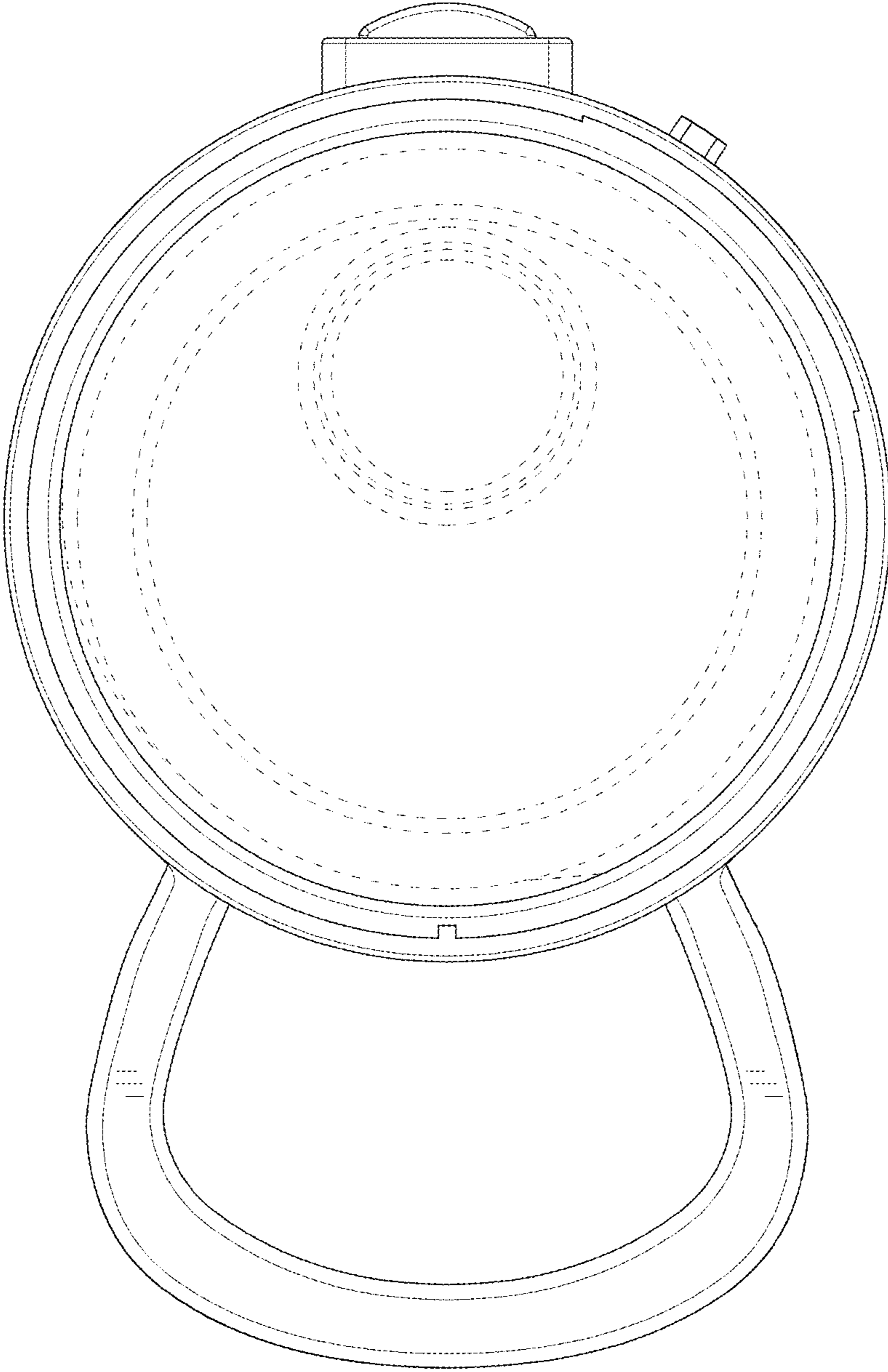


FIG. 8