



US00D974107S

(12) **United States Design Patent**
Shang

(10) **Patent No.:** **US D974,107 S**

(45) **Date of Patent:** **** Jan. 3, 2023**

(54) **BOTTLE CAP**

(71) Applicant: **Lamei Shang**, Shanxi (CN)

(72) Inventor: **Lamei Shang**, Shanxi (CN)

(73) Assignee: **Shenzhen Mlife Household Products Co., Ltd**, Shenzhen (CN)

(**) Term: **15 Years**

(21) Appl. No.: **29/776,563**

(22) Filed: **Mar. 31, 2021**

(51) **LOC (14) Cl.** **07-02**

(52) **U.S. Cl.**
USPC **D7/392.1; D9/443; D9/450**

(58) **Field of Classification Search**
USPC D9/434-436, 447, 449, 450, 454, 499,
D9/503, 504, 529, 443, 452; D7/387,
D7/391, 392, 392.1, 396.2, 510, 511, 629,
D7/900
CPC A45F 3/16; A47G 19/2272; B65D
2543/00046; B65D 2543/00092; B65D
2543/00296; B65D 2581/3409
See application file for complete search history.

(56) **References Cited**

U.S. PATENT DOCUMENTS

D814,855 S	*	4/2018	Hammer	D7/392.1
D858,181 S	*	9/2019	Lown	D9/449
D878,855 S	*	3/2020	Nucci	D9/452
D897,760 S	*	10/2020	Feng	D9/453
D905,499 S	*	12/2020	Zhang	D9/450
D911,772 S	*	3/2021	Xie	D7/392.1
D922,135 S	*	6/2021	Chen	D7/392.1

D922,136 S	*	6/2021	Lin	D9/449
D922,819 S	*	6/2021	Wang	D9/450
D937,036 S	*	11/2021	Shi	D7/392.1
D937,038 S	*	11/2021	Sletten	D7/392.1
D938,223 S	*	12/2021	Chen	D7/392.1
D939,887 S	*	1/2022	Hao	D7/392.1
D942,208 S	*	2/2022	Lown	D9/450
D942,209 S	*	2/2022	Hao	D7/392.1
D945,214 S	*	3/2022	Zhou	D7/396.2
D954,493 S	*	6/2022	Harris	D9/443

* cited by examiner

Primary Examiner — Wendy L Arminio

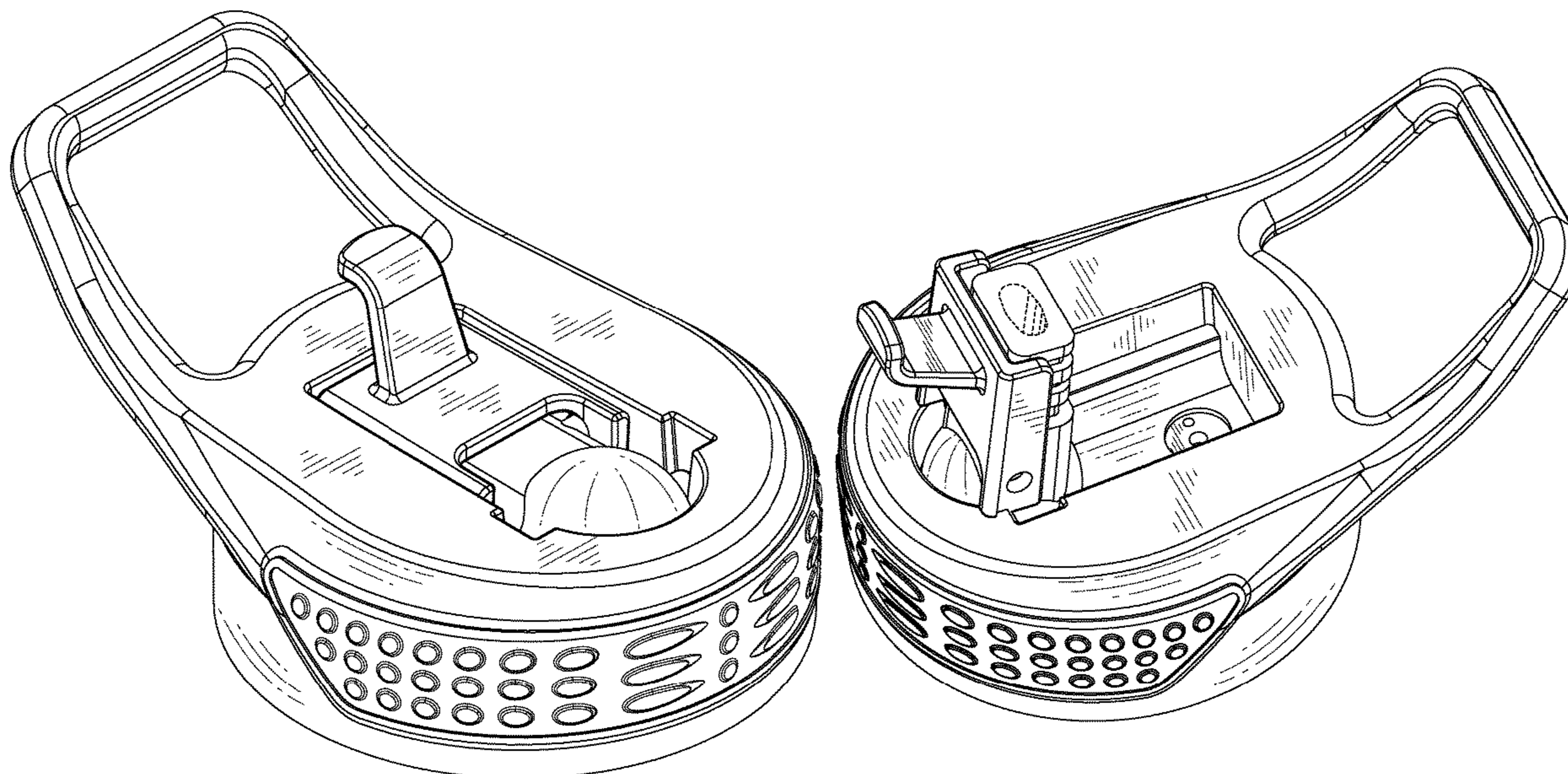
(57) **CLAIM**

The ornamental design for a bottle cap, as shown and described..

DESCRIPTION

FIG. 1 is a perspective view of a bottle cap showing my new design;
FIG. 2 is a front elevational view thereof;
FIG. 3 is a rear elevational view thereof;
FIG. 4 is a left side elevational view thereof;
FIG. 5 is a right side elevational view thereof;
FIG. 6 is a top plan view thereof;
FIG. 7 is a bottom plan view thereof;
FIG. 8 is another perspective view thereof; and,
FIG. 9 is another perspective view of the bottle cap of FIG. 1, shown in an open position.
The broken lines throughout the drawing figures depict portions of the bottle cap that form no part of the claimed design.

1 Claim, 9 Drawing Sheets



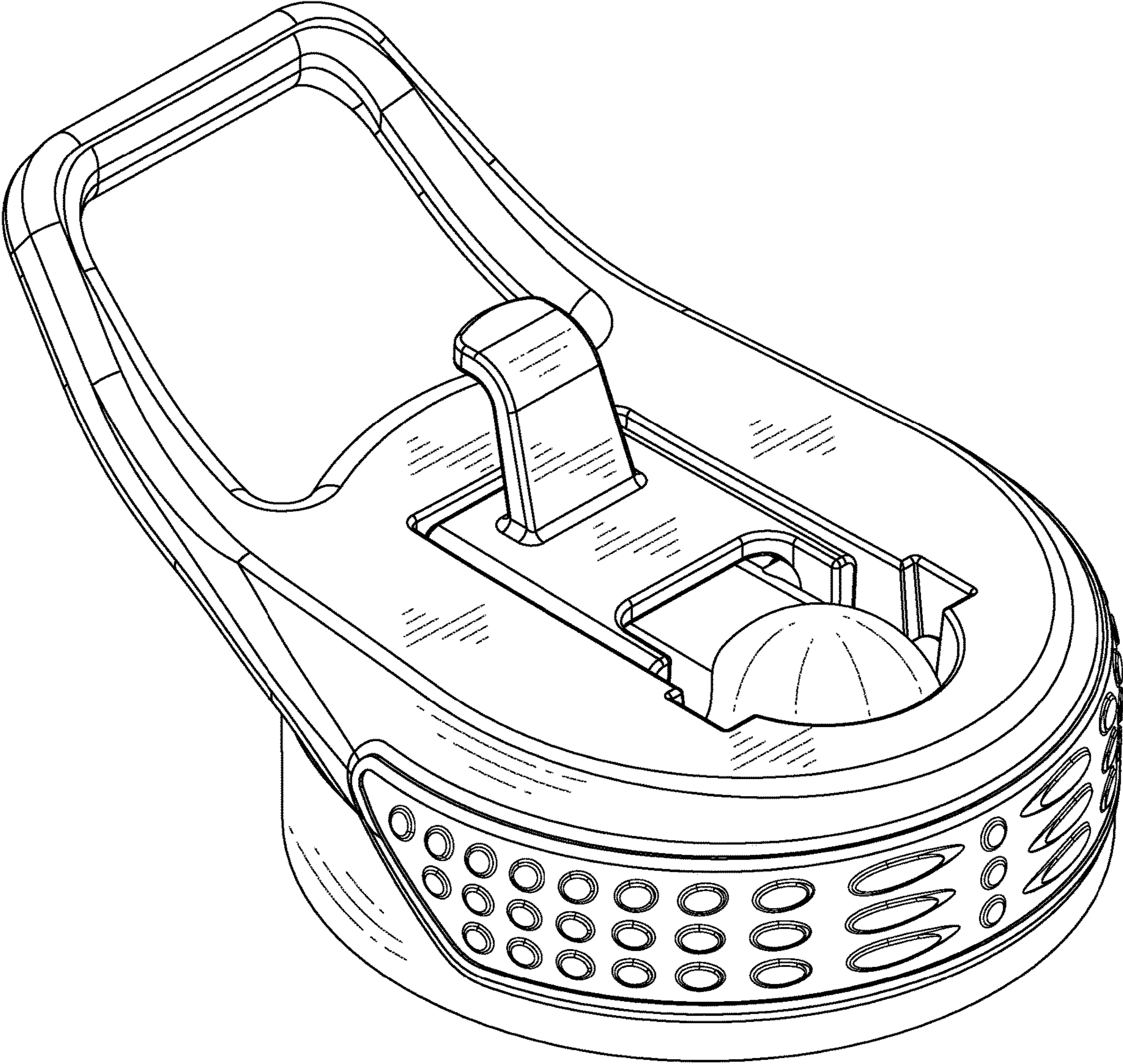


FIG.1

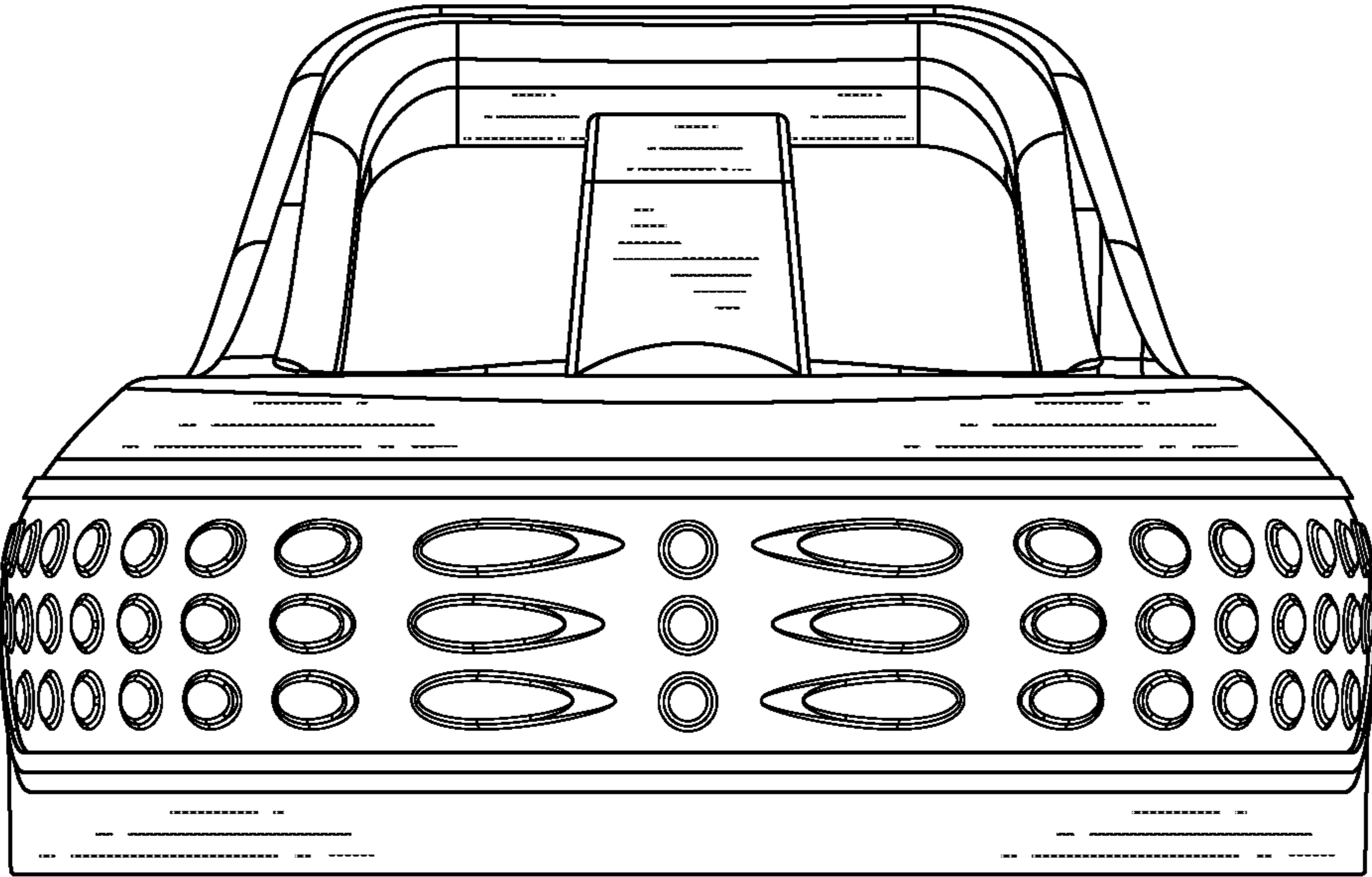


FIG.2

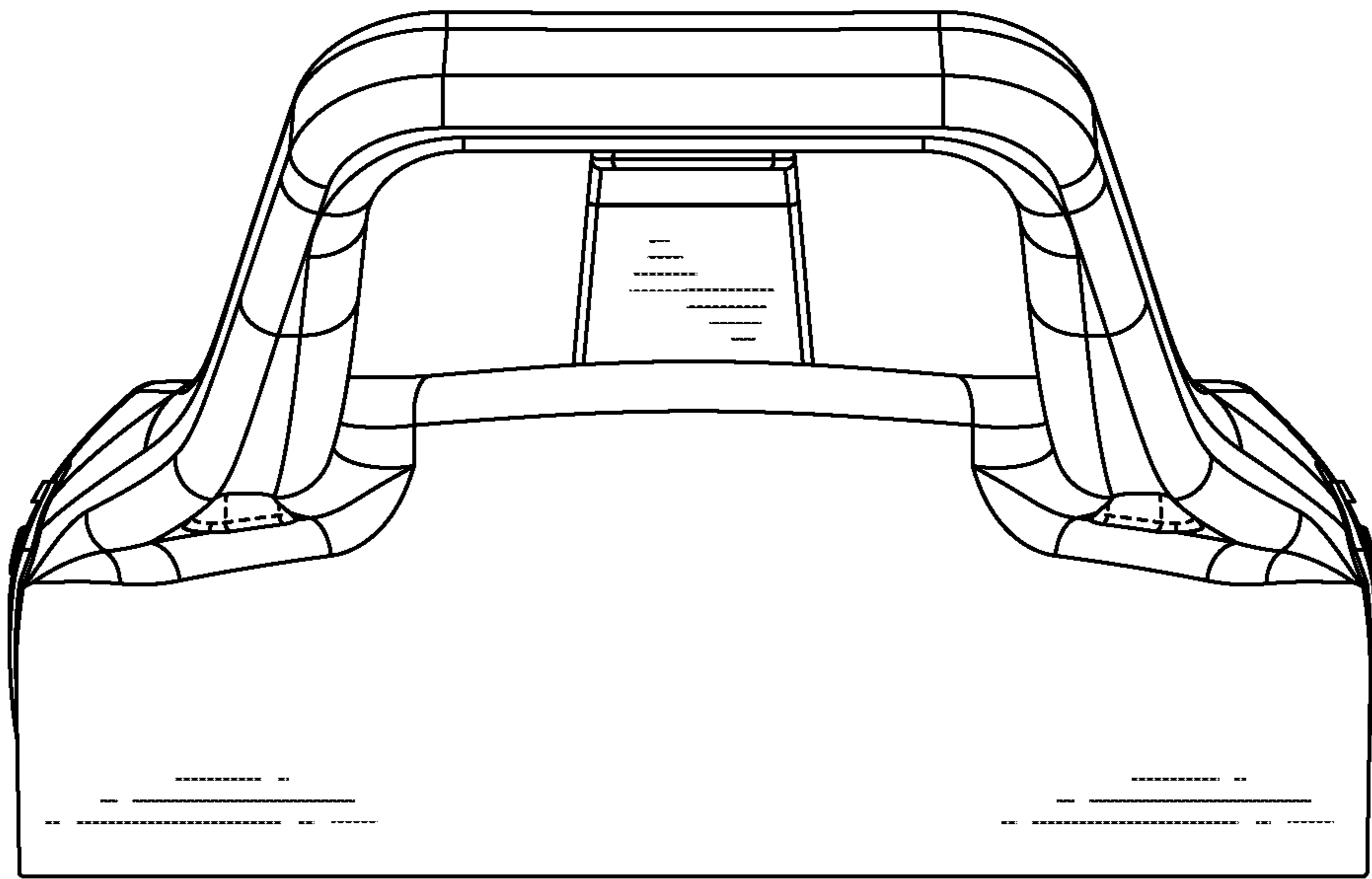


FIG.3

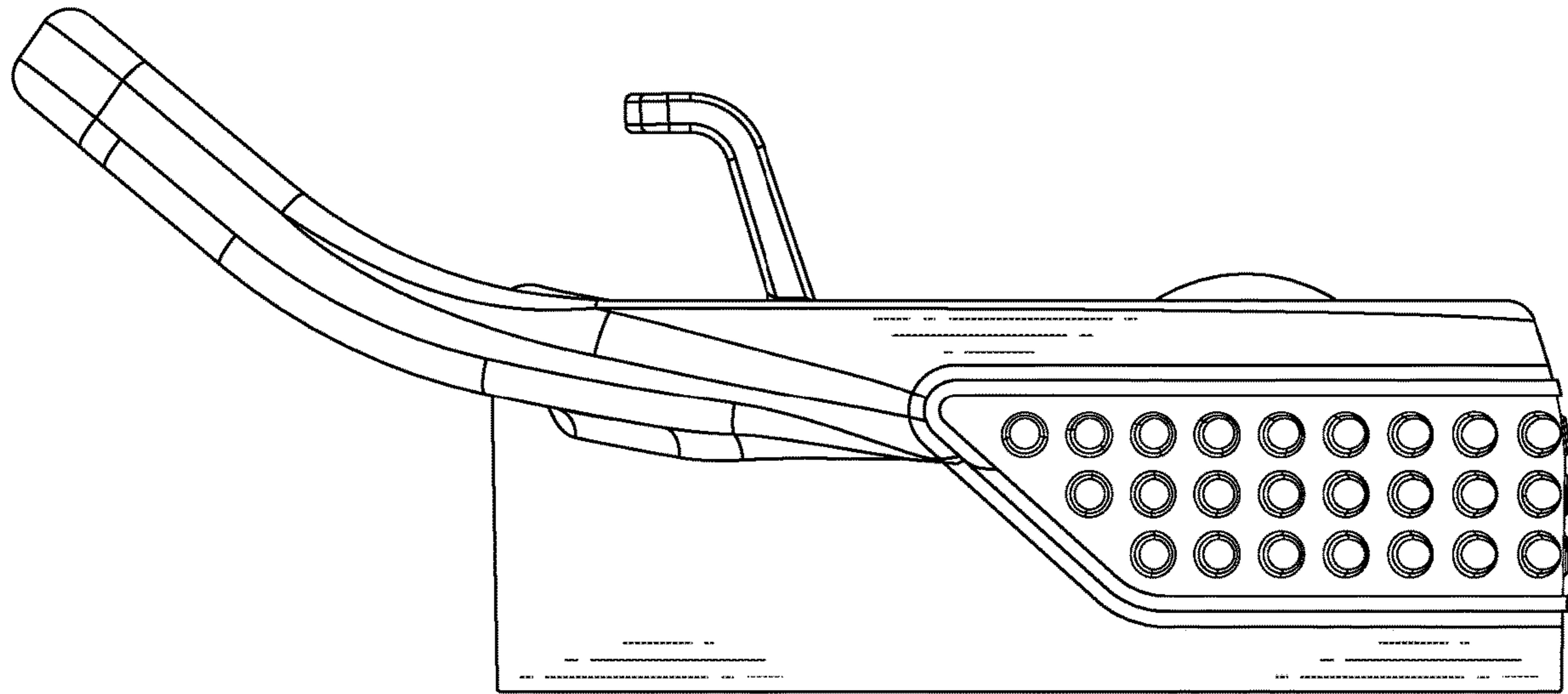


FIG.4

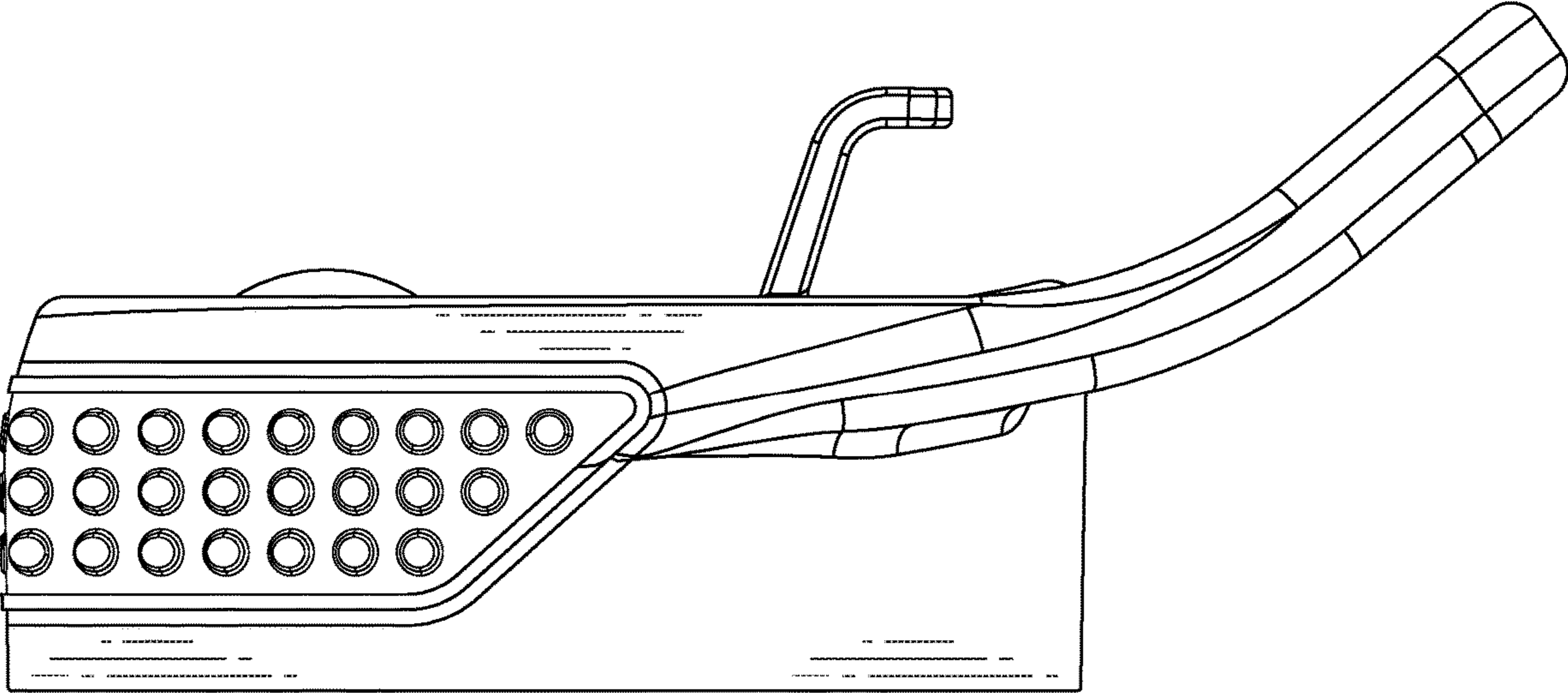


FIG.5

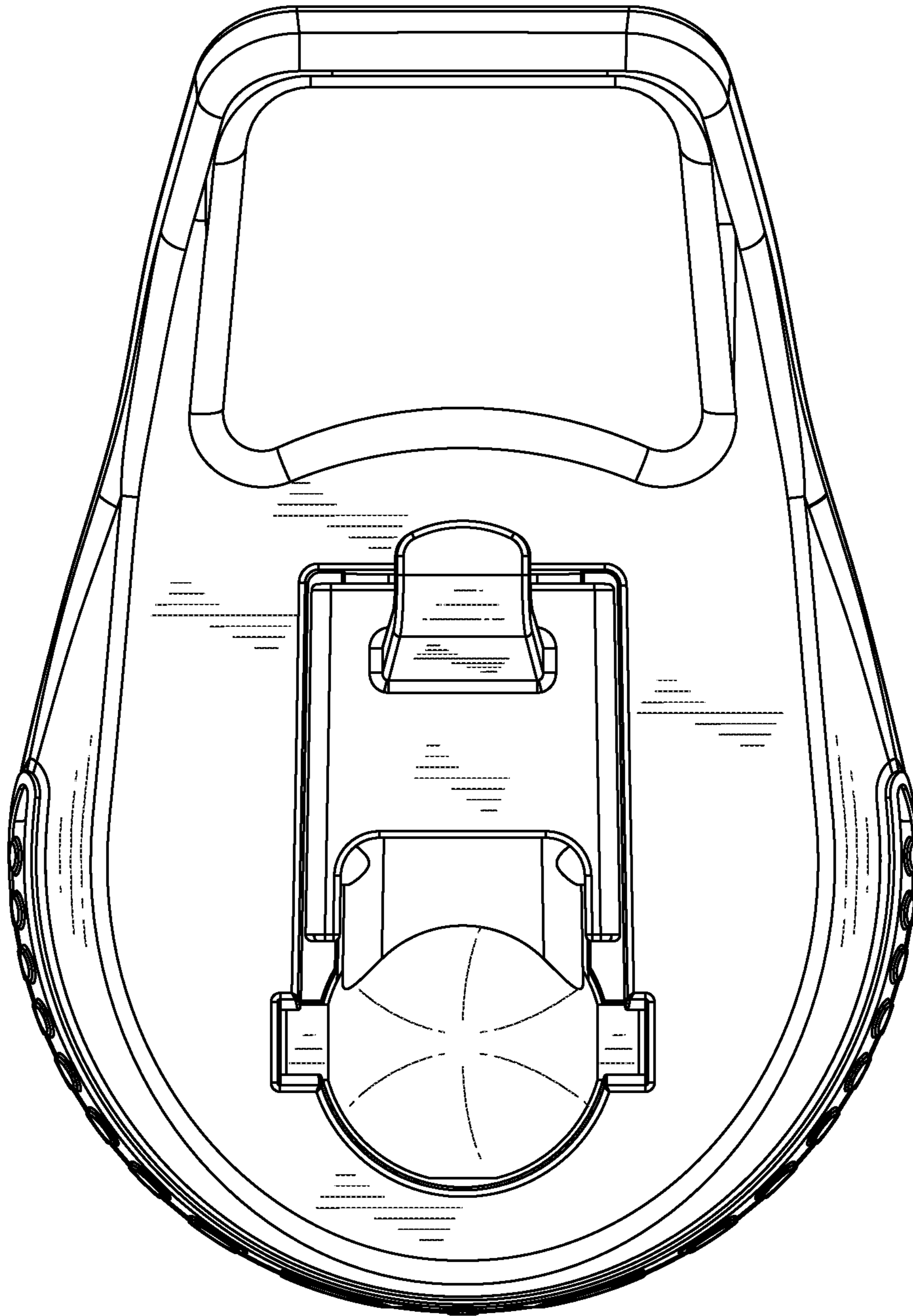


FIG.6

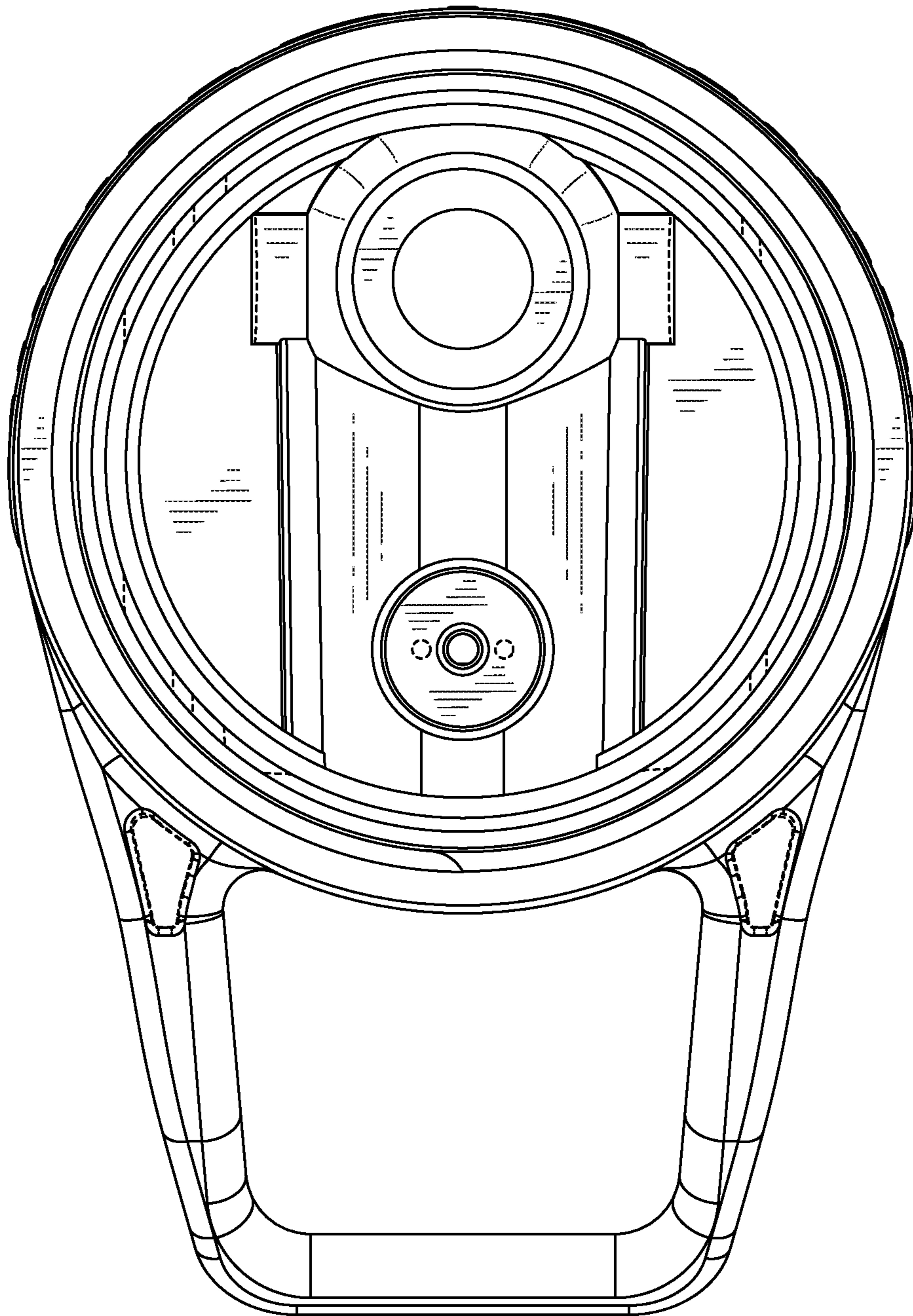


FIG. 7

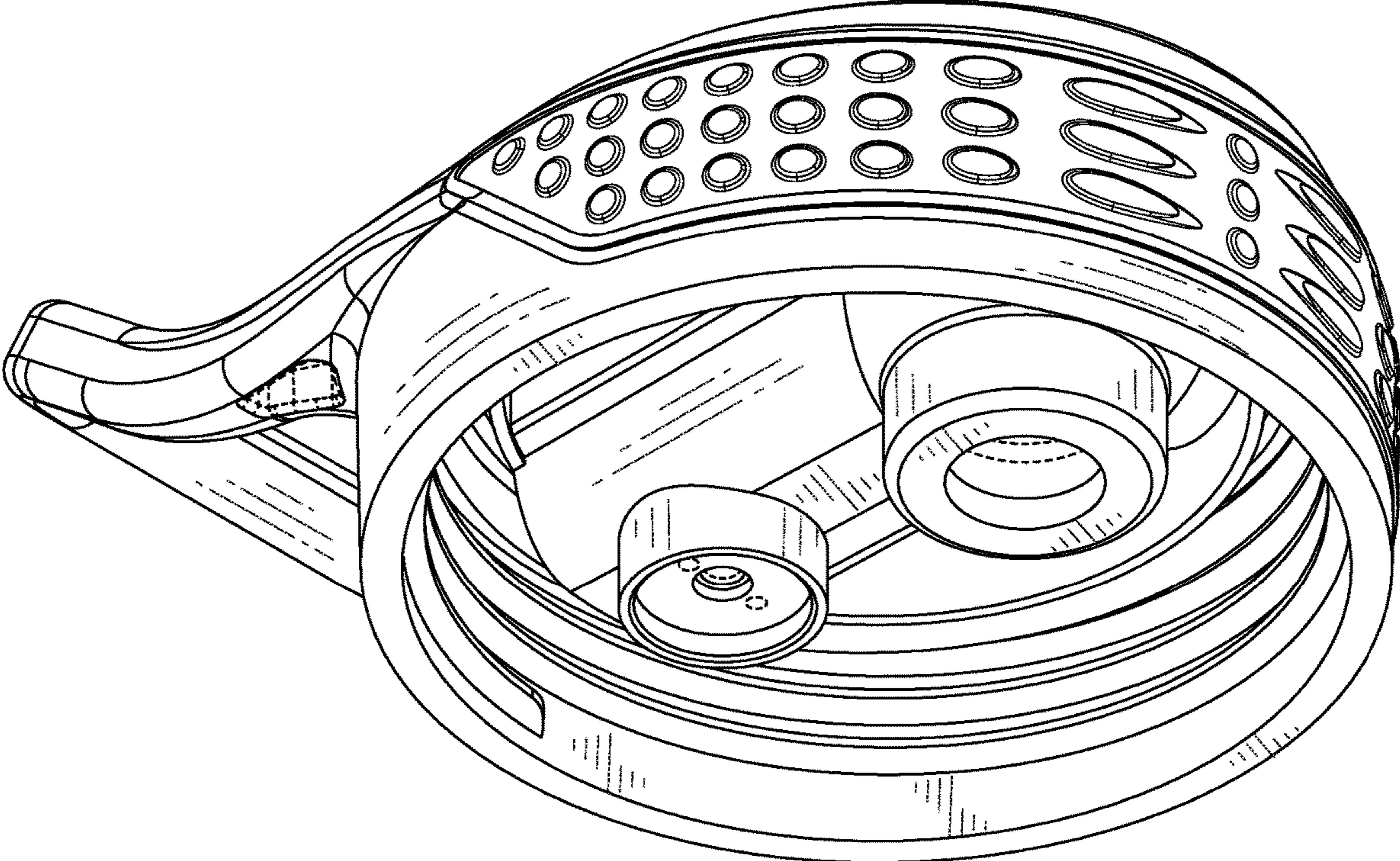


FIG.8

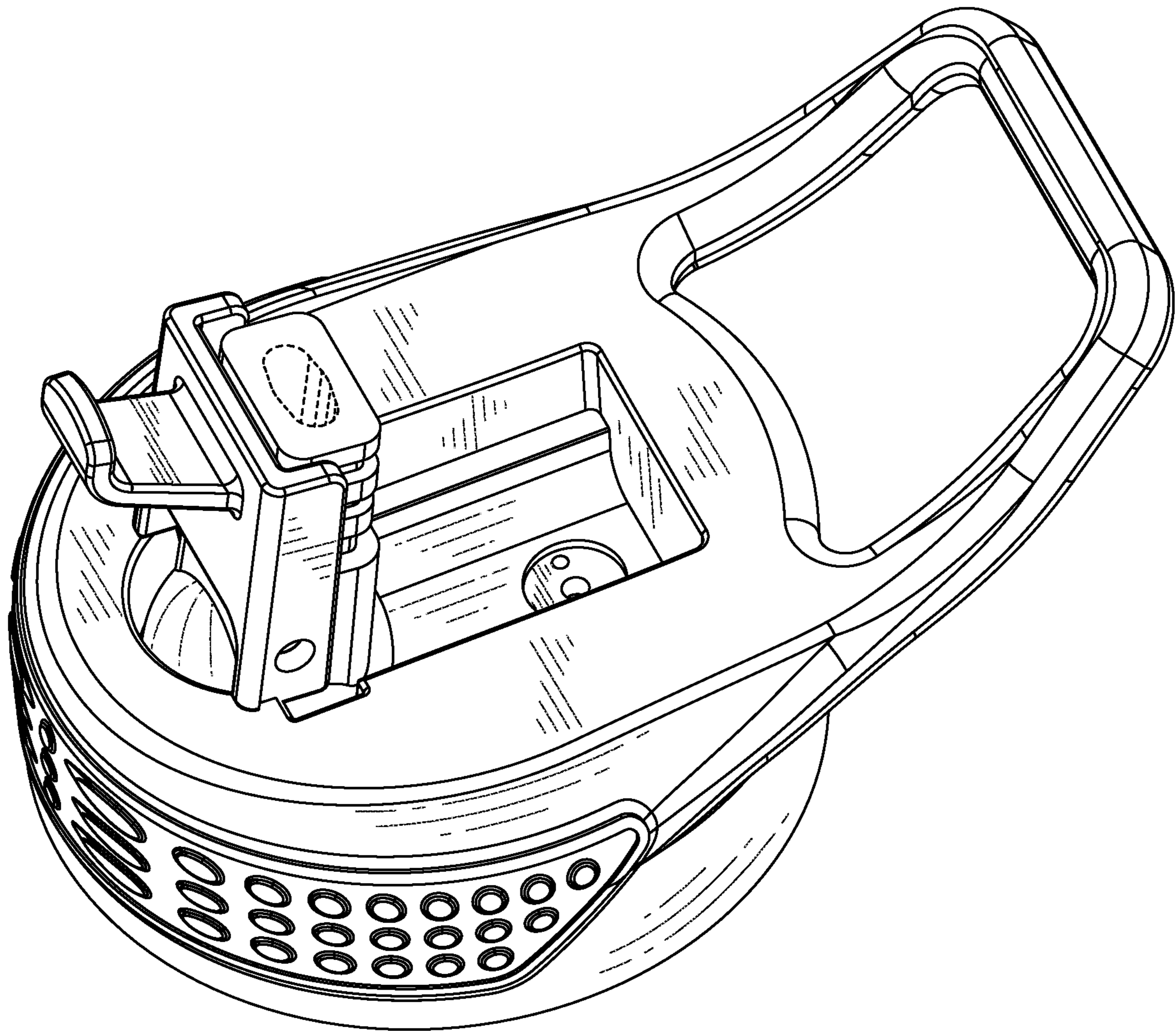


FIG.9