

US00D974106S

(12) **United States Design Patent**
Pape et al.

(10) **Patent No.:** **US D974,106 S**
(45) **Date of Patent:** **** Jan. 3, 2023**

(54) **LID WITH PIVOTING MOUTHPIECE**

D783,368 S 4/2017 Seiders
D795,008 S 8/2017 Eyal
D795,013 S 8/2017 Shultz
D799,320 S * 10/2017 Goodwin D7/392.1
(Continued)

(71) Applicant: **MiiR Holdings, LLC**, Seattle, WA
(US)

(72) Inventors: **Bryan Pape**, Seattle, WA (US); **Geoff Henkel**, Seattle, WA (US)

(73) Assignee: **MiiR Holdings, LLC**, Seattle, WA
(US)

(**) Term: **15 Years**

(21) Appl. No.: **29/746,352**

(22) Filed: **Aug. 13, 2020**

(51) **LOC (14) Cl.** **07-01**

(52) **U.S. Cl.**
USPC **D7/392.1**; D7/396.2

(58) **Field of Classification Search**
USPC D7/392.1, 396.2, 396.6, 396.3, 213, 510,
D7/511, 522, 523, 537, 602; D9/434,
D9/435, 436, 440, 449, 454, 746
CPC .. A45F 3/16; B65D 41/56; B65D 3/24; B65D
83/205; A47G 19/2272
See application file for complete search history.

(56) **References Cited**

U.S. PATENT DOCUMENTS

D396,380 S 7/1998 Lai
D623,896 S 9/2010 Wahl
D627,602 S * 11/2010 Eyal D7/510
D628,486 S 12/2010 Lane
D632,522 S * 2/2011 Wahl D7/392.1
D675,100 S 1/2013 Herbst
D708,954 S 7/2014 Barnes
D722,476 S 2/2015 Kilduff
D758,793 S 6/2016 Ho
D760,586 S 7/2016 Seiders
D767,328 S 9/2016 Boroski
D767,337 S 9/2016 Boroski
D780,577 S 3/2017 Seiders
D781,145 S 3/2017 Seiders

OTHER PUBLICATIONS

MiiR, Leakproof Straw Lid, Compatible Wide Mouth, Travel Tumbler and Kids Bottles https://www.amazon.com/dp/B09D8QVRX5/ref=cm_sw_em_r_mt_dp_3PDNPQSHVARR2NBFFWS1?_encoding=UTF8&psc=1 (Year: 2021).*

Primary Examiner — Jae Liang

(74) *Attorney, Agent, or Firm* — Janeway Patent Law PLLC; John Janeway

(57) **CLAIM**

The ornamental design for a lid with pivoting mouthpiece, as shown and described.

DESCRIPTION

FIG. 1 is a perspective view of a lid with pivoting mouthpiece showing my new design, according to an embodiment of the invention.

FIG. 2 is a front, elevation view of the lid with pivoting mouthpiece shown in FIG. 1.

FIG. 3 is a rear, elevation view of the lid with pivoting mouthpiece shown in FIG. 1.

FIG. 4 is a left, elevation view of the lid with pivoting mouthpiece shown in FIG. 1.

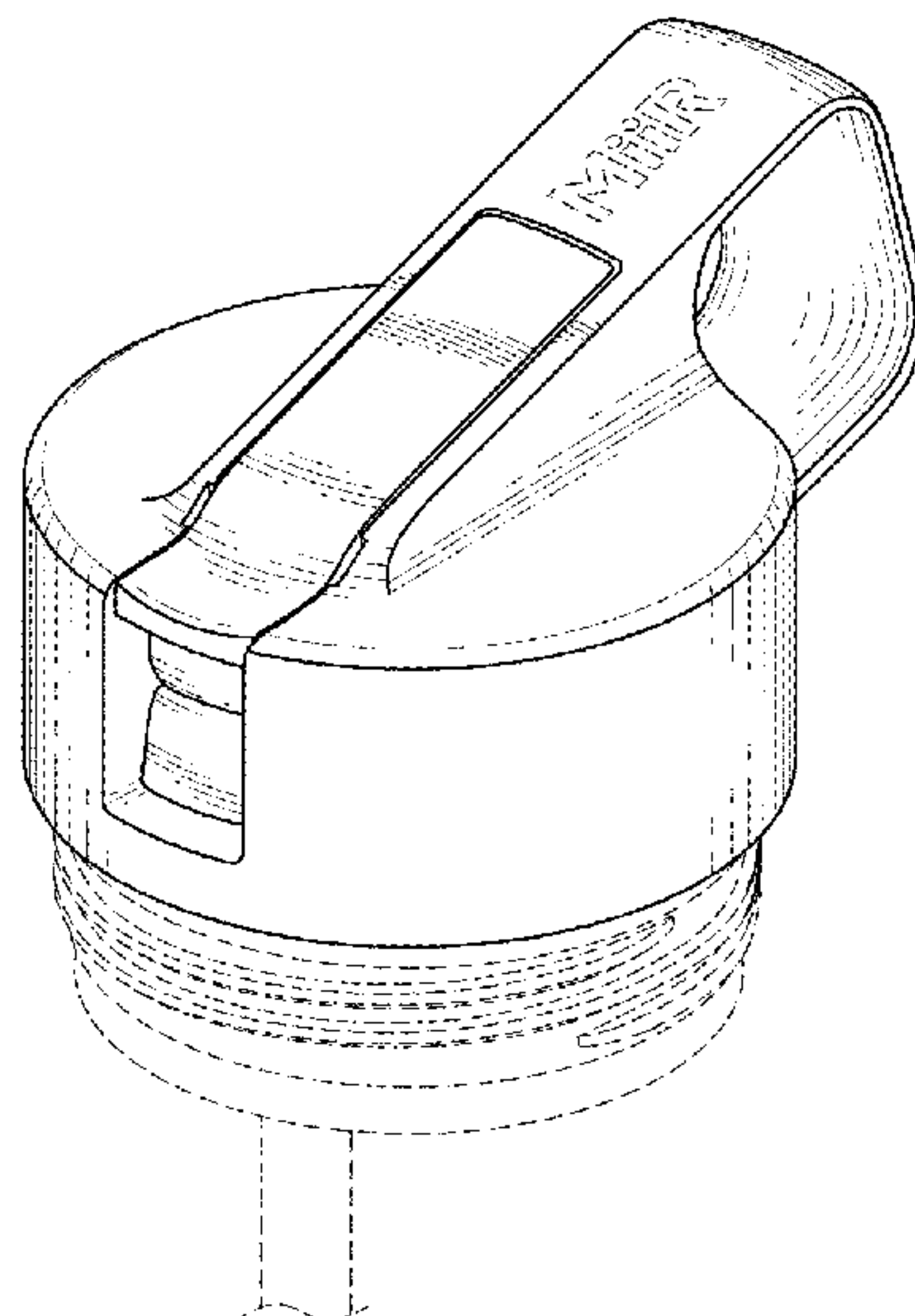
FIG. 5 is a right, elevation view of the lid with pivoting mouthpiece shown in FIG. 1.

FIG. 6 is a top, plan view of the lid with pivoting mouthpiece shown in FIG. 1; and,

FIG. 7 is a bottom, plan view of the lid with pivoting mouthpiece shown in FIG. 1.

The broken lines in FIGS. 1-7 are for the sole purpose of showing portions of the lid with pivoting mouthpiece, and do not form a part of the claimed design.

1 Claim, 4 Drawing Sheets



(56)

References Cited

U.S. PATENT DOCUMENTS

D801,173 S * 10/2017 Lown D9/449
D805,852 S 12/2017 Seiders
D810,506 S * 2/2018 Erickson D7/396.2
D814,852 S 4/2018 Melanson
D816,398 S 5/2018 Fleischhut
D819,396 S 6/2018 Seiders
D840,187 S 2/2019 Sams
D841,391 S * 2/2019 Pape D7/391
D842,027 S 3/2019 Boroski
D843,212 S 3/2019 Seiders
D869,229 S * 12/2019 Hao D7/392.1
D874,216 S * 2/2020 Henkel D7/392
D908,423 S * 1/2021 Xia D7/392.1
D923,409 S * 6/2021 Backs D7/511
D930,428 S * 9/2021 Lindsay D7/392.1
D934,624 S * 11/2021 Backs D7/392.1

* cited by examiner

FIG. 1

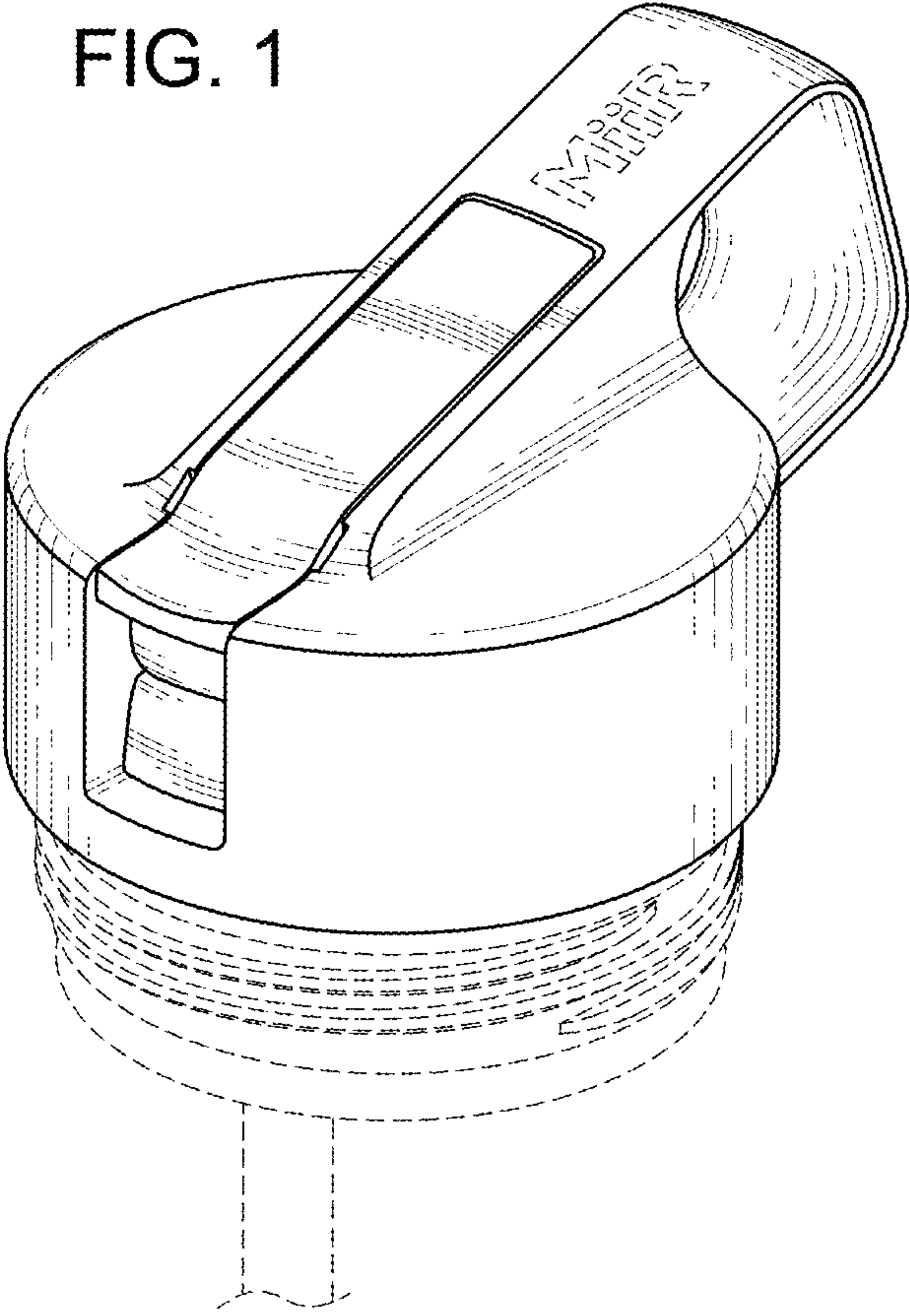


FIG. 2

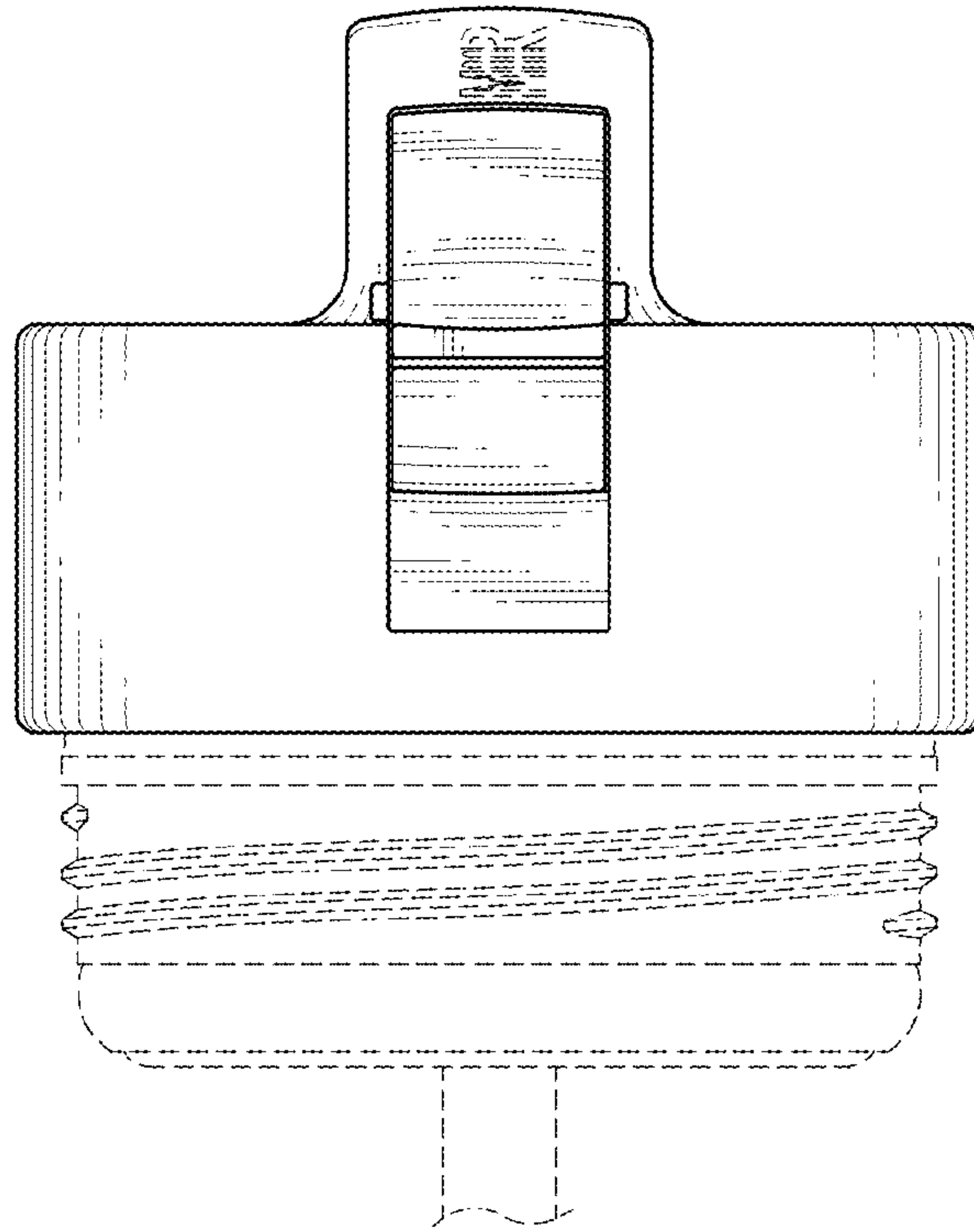


FIG. 3

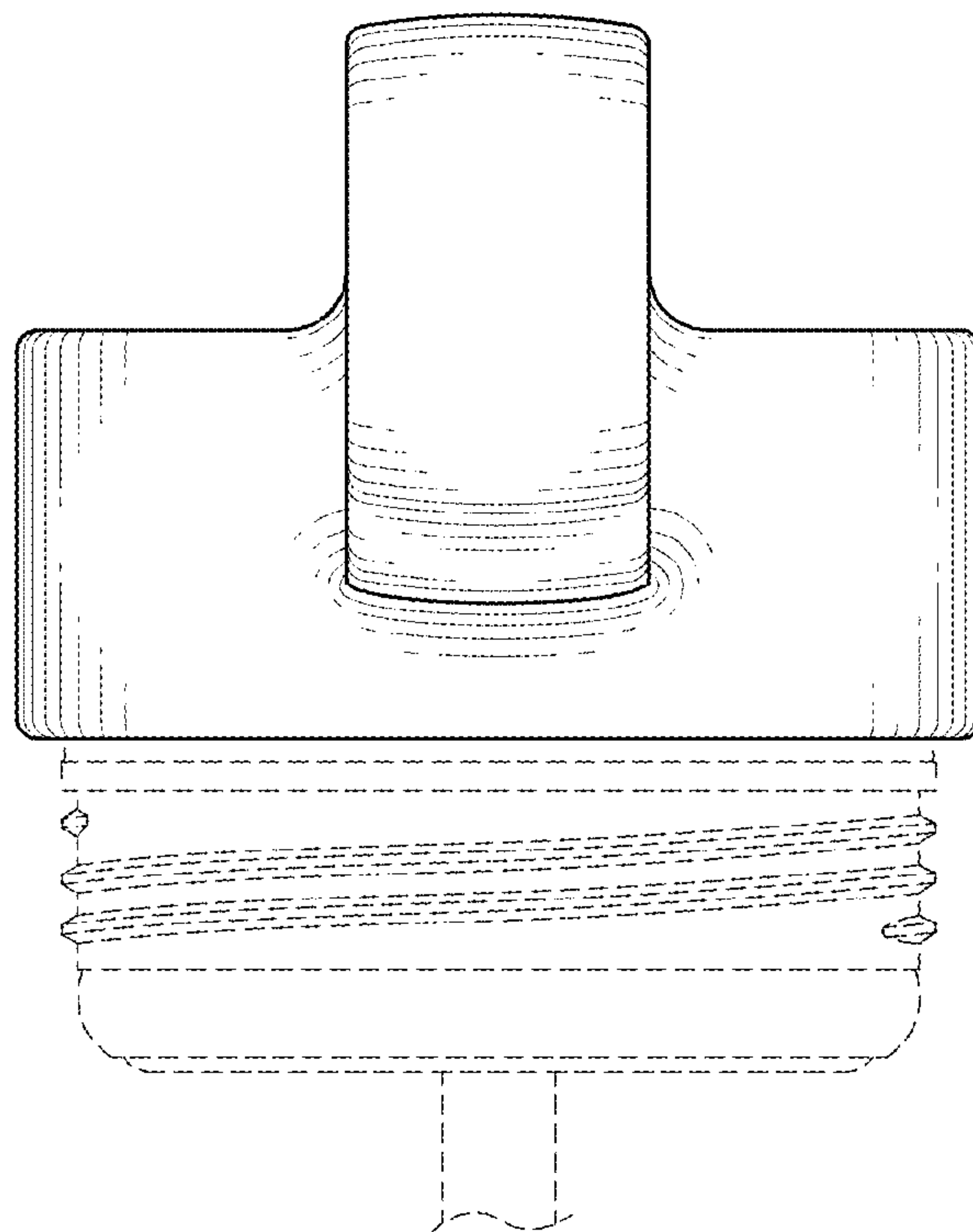


FIG. 4

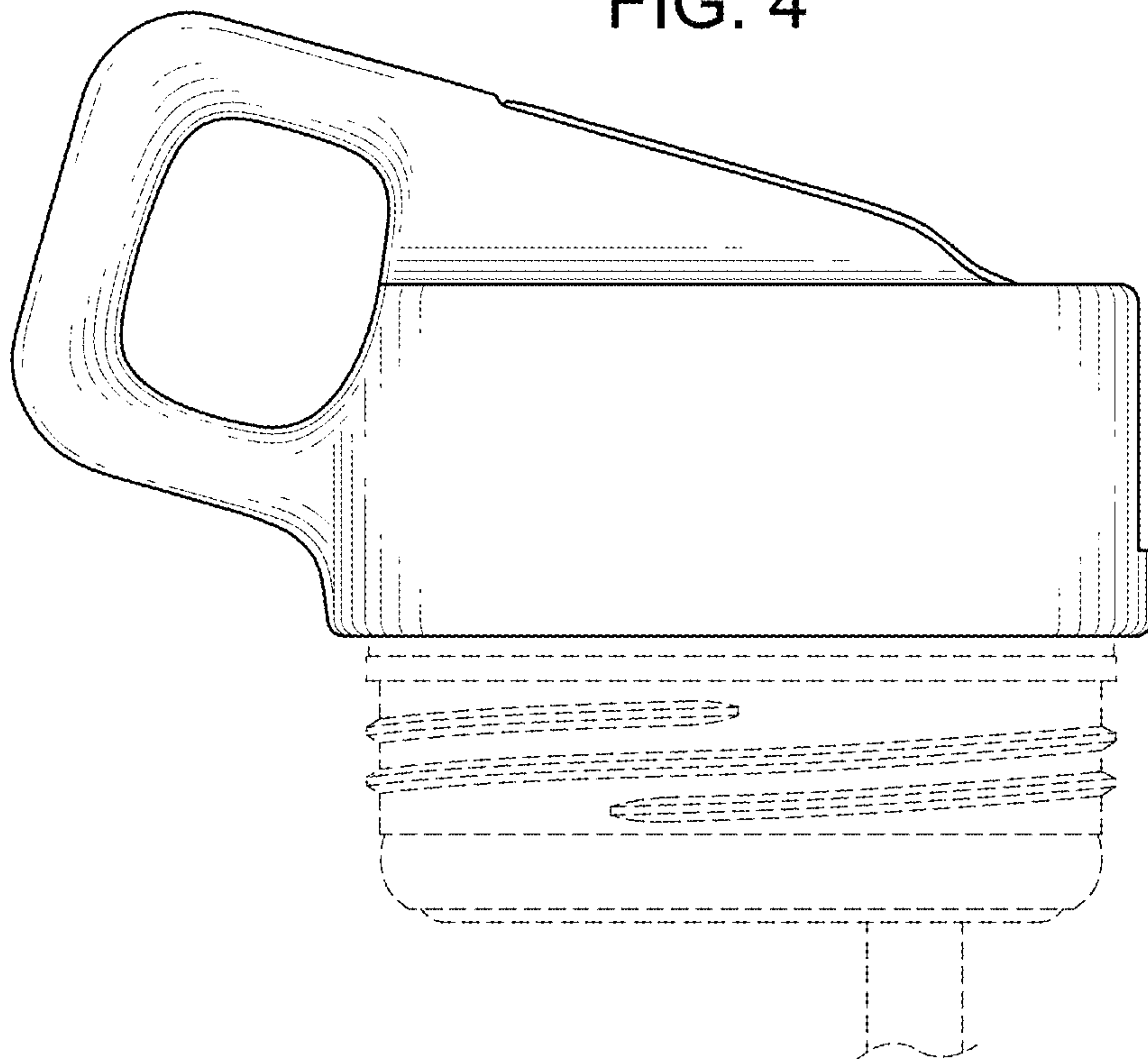


FIG. 5

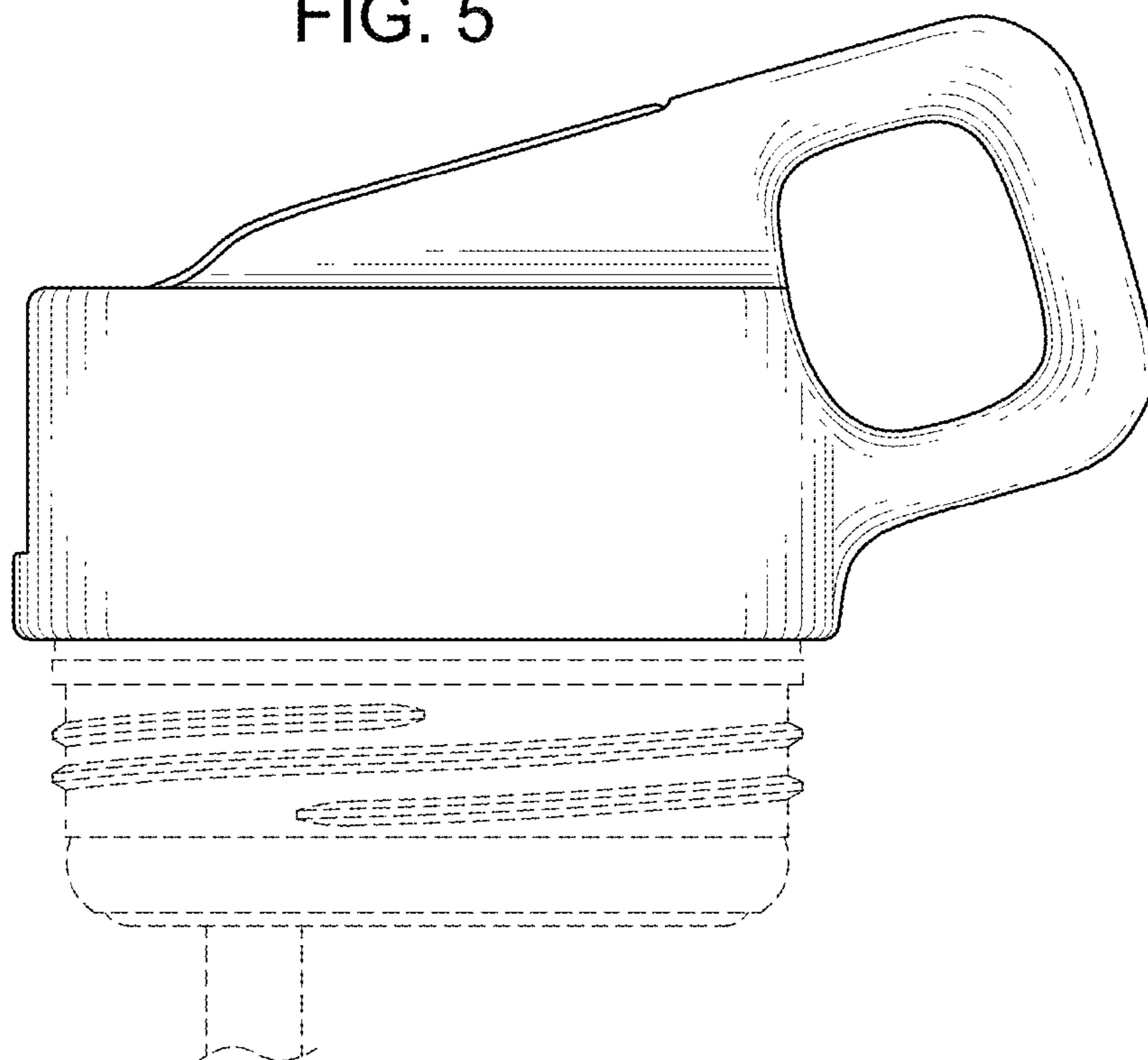


FIG. 6

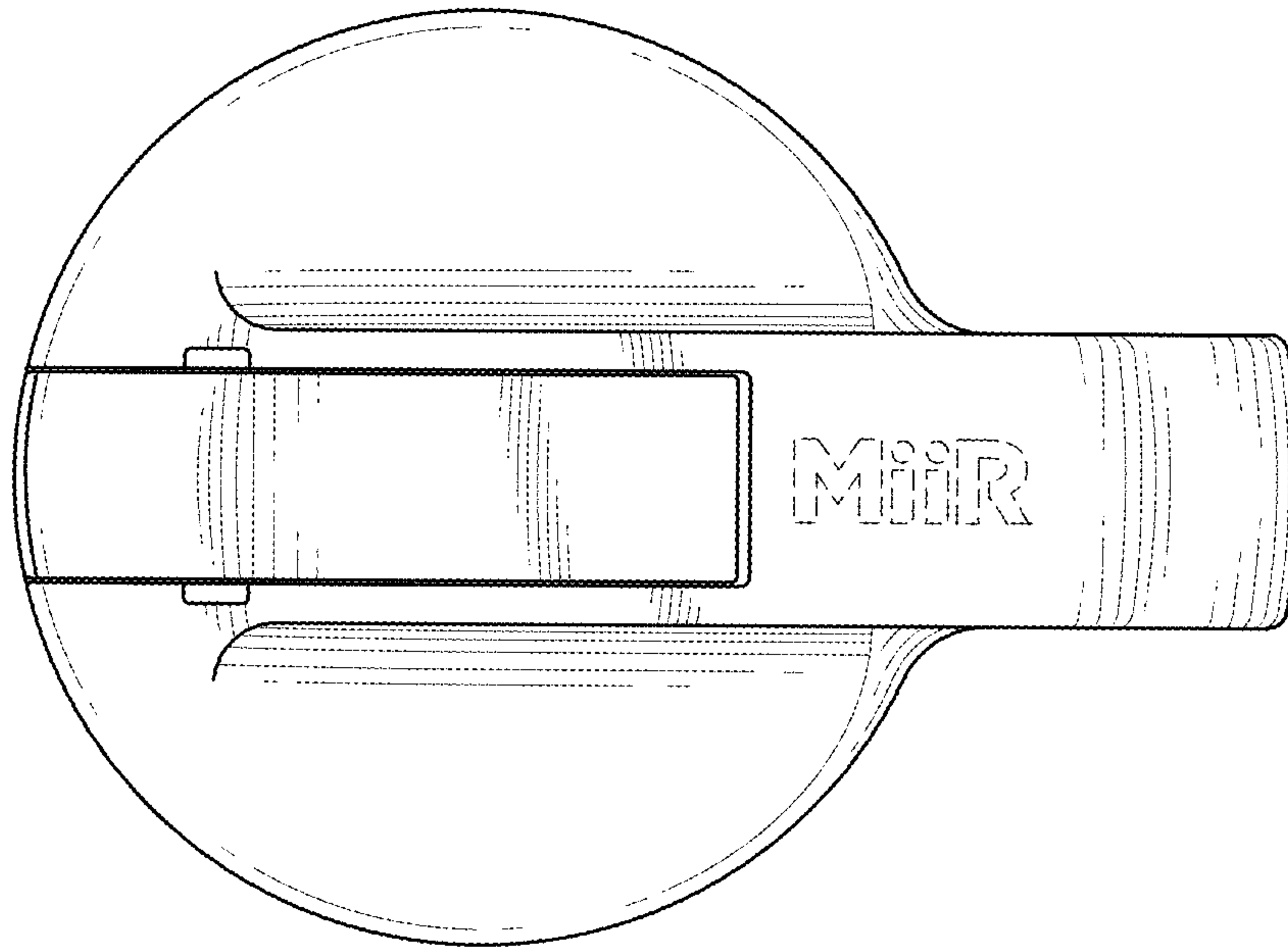


FIG. 7

