



US00D974105S

(12) **United States Design Patent**  
**Glupker**

(10) **Patent No.:** **US D974,105 S**  
(45) **Date of Patent:** **\*\* Jan. 3, 2023**

(54) **LID**  
(71) Applicant: **BRADSHAW HOME**, Rancho Cucamonga, CA (US)  
(72) Inventor: **Chris Glupker**, North Hills, CA (US)  
(73) Assignee: **BRADSHAW HOME**, Rancho Cucamonga, CA (US)  
(\*\*) Term: **15 Years**  
(21) Appl. No.: **29/731,831**

4,081,646 A 3/1978 Goltso  
D282,616 S \* 2/1986 Gallagher ..... D7/392.1  
4,574,174 A 3/1986 McGonigle  
D305,409 S 1/1990 Michaud et al.  
D339,958 S \* 10/1993 Olsen ..... D7/392.1  
5,419,451 A 5/1995 Bitel, Jr.  
D373,704 S \* 9/1996 Doxey ..... D7/391  
D395,985 S 7/1998 Krupa et al.  
D415,422 S 10/1999 McCann  
D417,817 S \* 12/1999 Loew ..... D7/392.1  
D442,484 S 5/2001 Maxwell et al.  
D445,687 S \* 7/2001 Gilbertson ..... D7/392.1  
D451,769 S 12/2001 Stanos et al.

(Continued)

(22) Filed: **Apr. 17, 2020**  
(51) **LOC (14) Cl.** ..... **07-01**  
(52) **U.S. Cl.**  
USPC ..... **D7/392.1; D7/391**  
(58) **Field of Classification Search**  
USPC ..... D7/310, 319, 323, 354-363, 391, 392,  
D7/392.1, 393-396, 396.2, 401.1, 510,  
D7/511, 629; D9/435, 440, 443, 447,  
D9/449-453, 454, 504, 523, 670  
CPC .. A47G 19/027; A47G 19/12; A47G 19/2272;  
A47J 27/00; A47J 27/002; A47J 27/08;  
A47J 27/13; A47J 27/21; A47J 27/58;  
A47J 36/025; A47J 36/027; A47J 36/06;  
A47J 36/12; A47J 37/00; A47J 37/0704;  
A47J 37/10; A47J 37/101; A47J 37/103;  
A47J 37/12; A47J 37/1204; A47J 39/02;  
A47J 45/061; A47J 45/071; A47J 45/08;  
B65D 41/0407; B65D 17/401; B65D  
51/28; B65D 43/021; H05B 6/12; H05B  
6/804; H05B 6/6494; A61J 1/2093; A61J  
11/00

See application file for complete search history.

(56) **References Cited**

**U.S. PATENT DOCUMENTS**

3,107,027 A 10/1963 Hong  
3,401,825 A \* 9/1968 Weiss ..... B65D 43/021  
220/793

**OTHER PUBLICATIONS**

TOPtoper 50 Pack 25 Oz Large Paper Bowls with Lids. Date First Available on Amazon.com Dec. 24, 2019. <https://www.amazon.com/dp/B09CYMGMTD/ref> (Year: 2019).\*

*Primary Examiner* — Ricky Pham

(74) *Attorney, Agent, or Firm* — Birch, Stewart, Kolasch & Birch, LLP

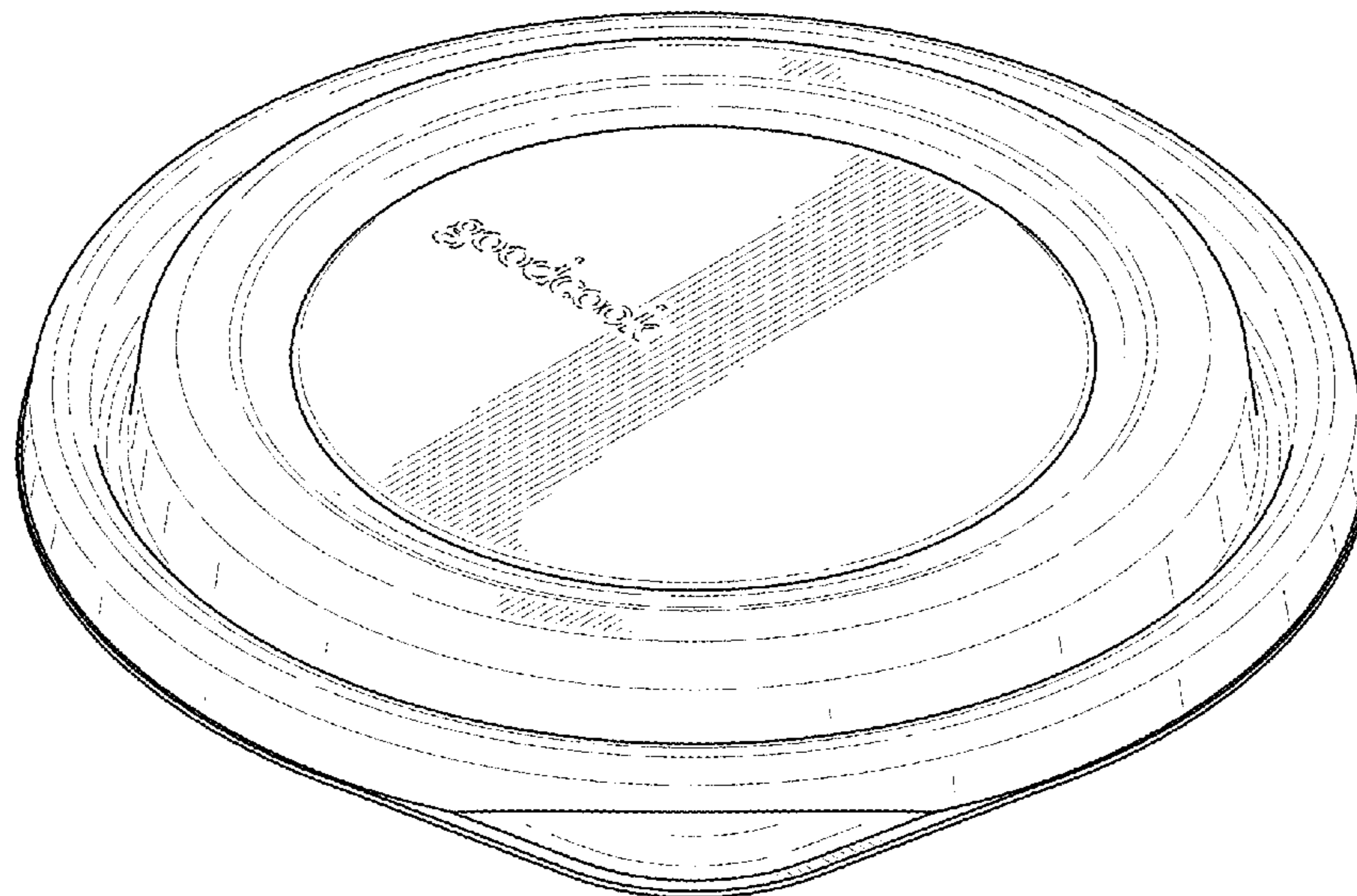
(57) **CLAIM**

The ornamental design for a lid, as shown and described.

**DESCRIPTION**

FIG. 1 is a top, front, right perspective view of a lid showing my new design;  
FIG. 2 is a front view thereof;  
FIG. 3 is a rear view thereof;  
FIG. 4 is a left side view thereof;  
FIG. 5 is a right side view thereof;  
FIG. 6 is a top plan view thereof; and,  
FIG. 7 is a bottom plan view thereof.  
The broken line showing in the FIGS. 1 and 6 is for the purpose of illustrating portions of the lid that form no part of the claimed design.

**1 Claim, 7 Drawing Sheets**



(56)

References Cited

U.S. PATENT DOCUMENTS

6,467,647 B1 10/2002 Tucker et al.  
6,471,084 B2 10/2002 Erb  
D475,573 S \* 6/2003 Jalet ..... D7/392.1  
D478,469 S \* 8/2003 Roth ..... F25D 3/08  
D7/392.1  
D480,264 S \* 10/2003 de Groote ..... D7/392.1  
D489,579 S 5/2004 Wright  
D494,857 S 8/2004 Chen et al.  
6,910,599 B2 6/2005 Tucker et al.  
D515,880 S 2/2006 Lerner  
7,097,066 B2 8/2006 Tucker et al.  
D539,666 S 4/2007 Chou  
D543,077 S \* 5/2007 Kim ..... D7/629  
7,261,219 B2 8/2007 Tucker et al.  
D552,487 S 10/2007 Chou  
D586,623 S 2/2009 Dunn  
D596,499 S 7/2009 Willis et al.  
D606,812 S 12/2009 Wu  
D608,153 S 1/2010 Furlong  
D612,196 S \* 3/2010 Furlong ..... D7/392.1  
7,726,483 B2 6/2010 Ramanujam et al.

D665,674 S 8/2012 Wu  
D665,675 S 8/2012 Wu  
D665,676 S 8/2012 Wu  
D666,058 S 8/2012 Liang et al.  
8,317,044 B2 11/2012 Wu et al.  
D691,038 S 10/2013 Tyberghein  
D691,901 S 10/2013 Epstein  
D695,575 S 12/2013 Katz  
D696,910 S 1/2014 Franczyk et al.  
D707,120 S 6/2014 Tyberghein  
D711,220 S 8/2014 Tyberghein  
D744,294 S 12/2015 Linder  
D751,335 S \* 3/2016 Shirley ..... D7/391  
D755,579 S 5/2016 Wu  
D763,706 S 8/2016 Shum et al.  
D769,113 S 10/2016 Chen  
10,494,143 B2 12/2019 Kuo et al.  
D951,091 S \* 5/2022 Bontrager ..... D9/454  
2006/0029695 A1 2/2006 Kaczor  
2006/0201950 A1 9/2006 Liu  
2011/0020772 A1 1/2011 Carter et al.  
2017/0113848 A1 4/2017 Zhen  
2018/0086500 A1 3/2018 Kuo

\* cited by examiner

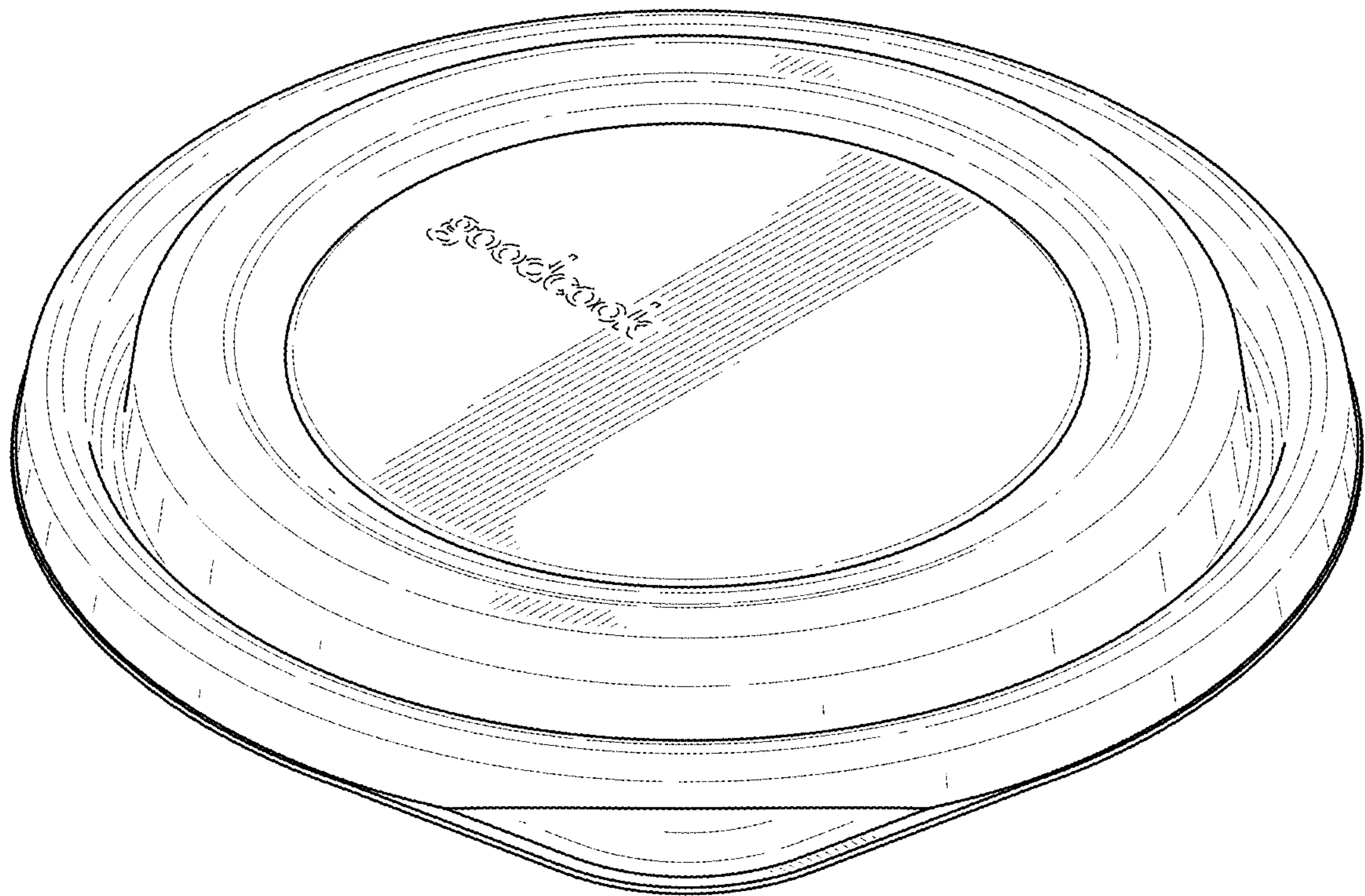


FIG.1

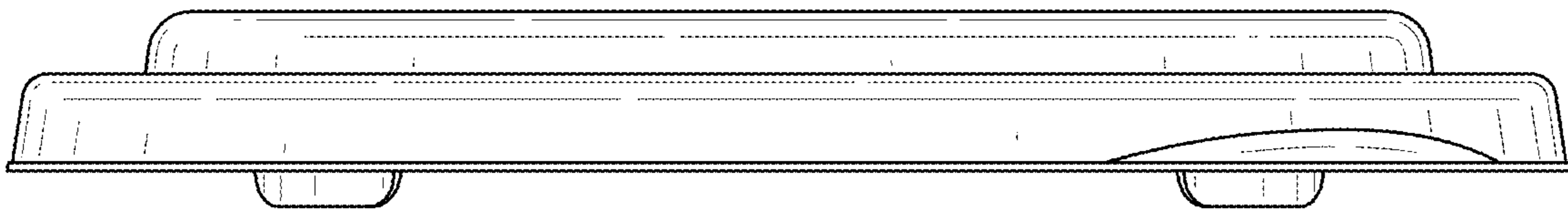


FIG.2

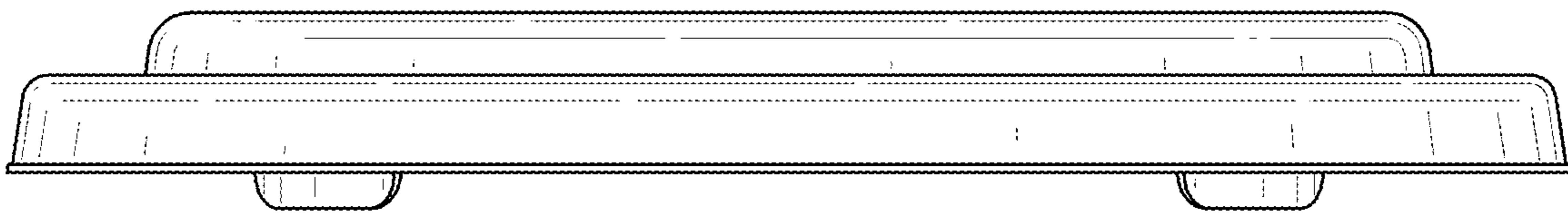


FIG.3

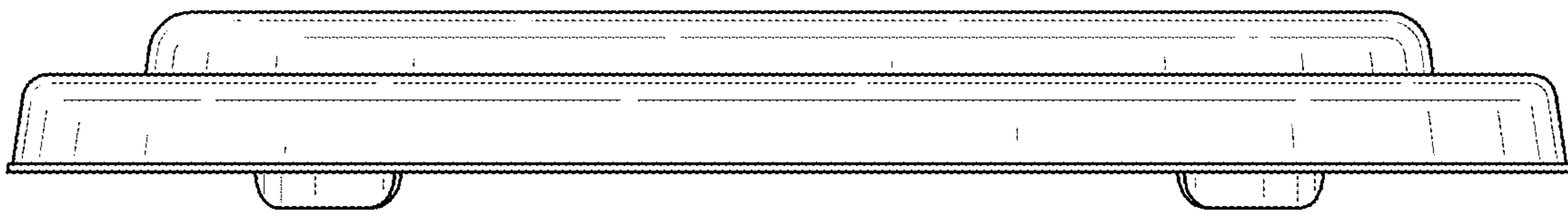


FIG.4

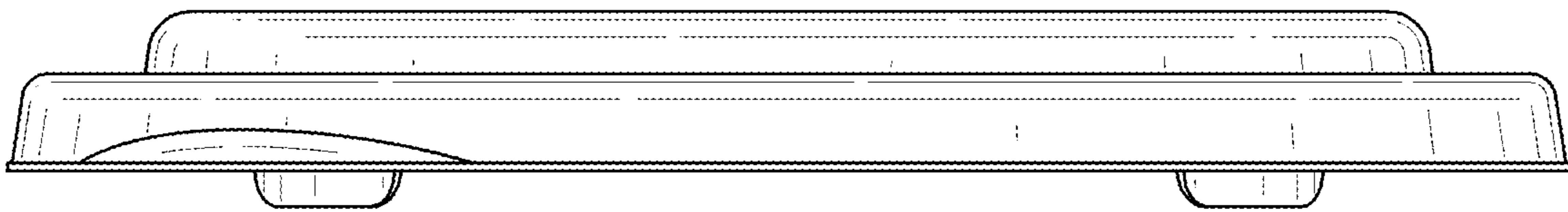


FIG.5

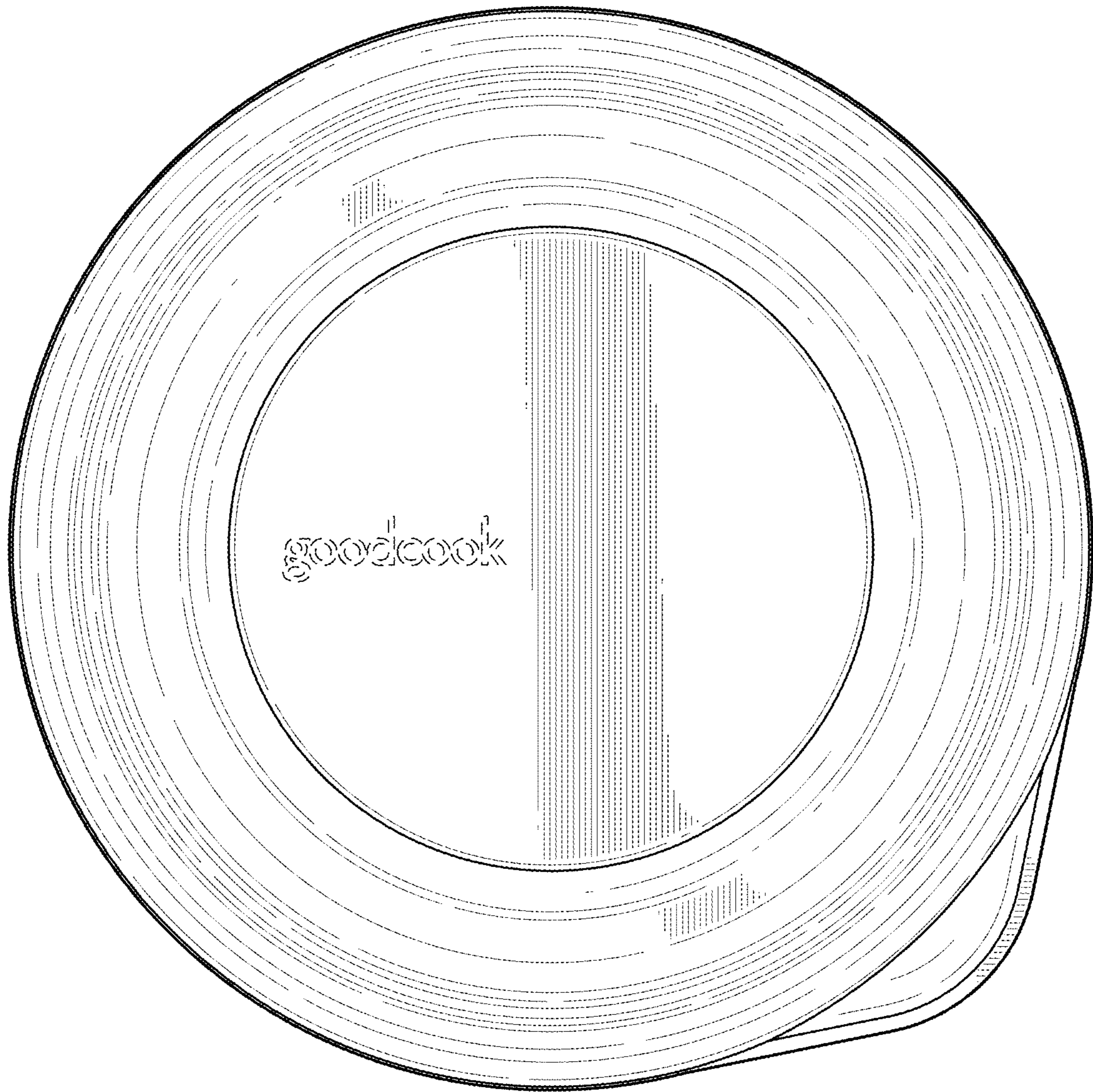


FIG.6



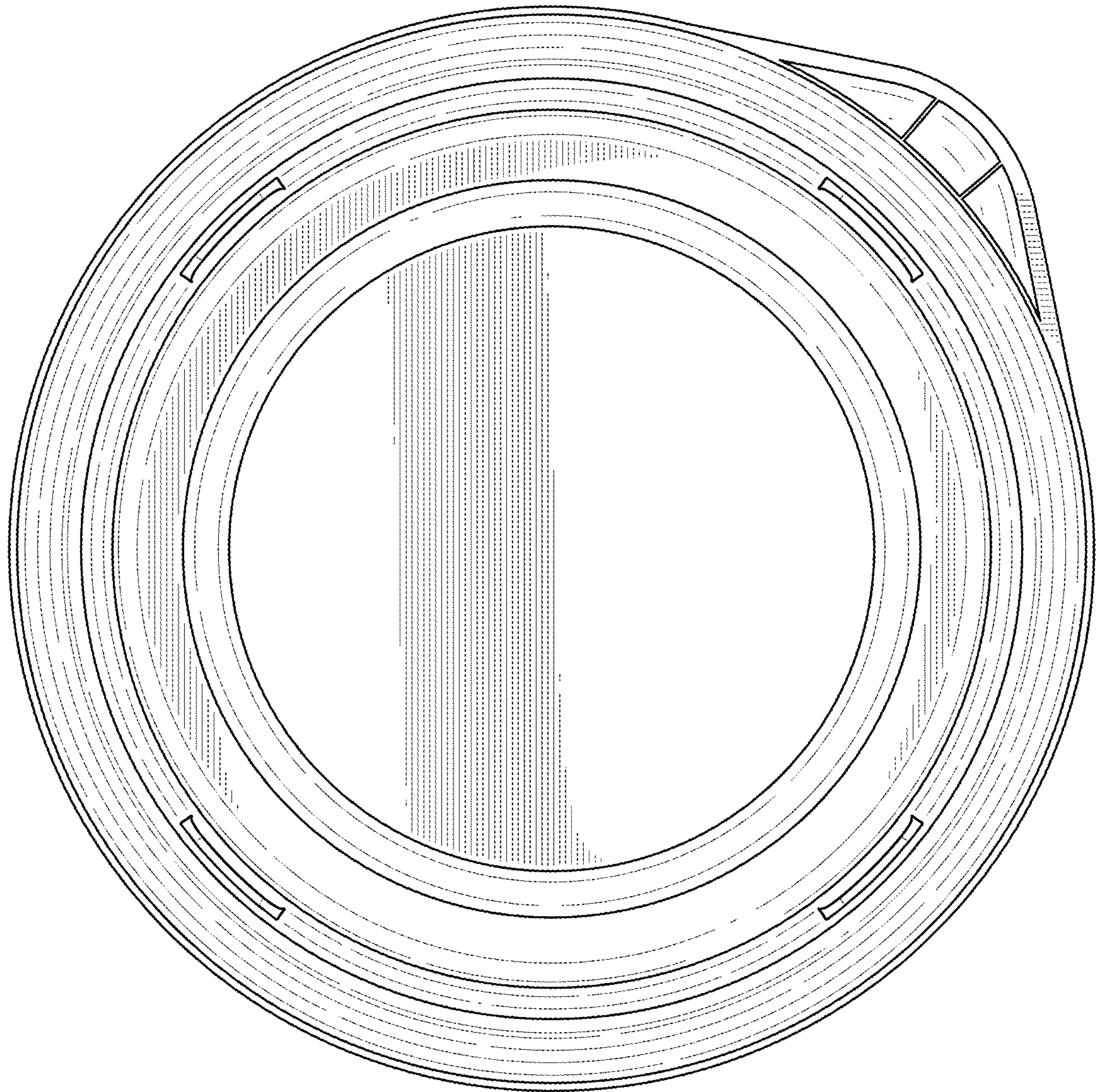


FIG.7