



US00D974104S

(12) **United States Design Patent**
Glupker

(10) **Patent No.:** **US D974,104 S**
(45) **Date of Patent:** **** Jan. 3, 2023**

- (54) **LID**
- (71) Applicant: **BRADSHAW HOME**, Rancho Cucamonga, CA (US)
- (72) Inventor: **Chris Glupker**, North Hills, CA (US)
- (73) Assignee: **BRADSHAW HOME**, Rancho Cucamonga, CA (US)
- (**) Term: **15 Years**
- (21) Appl. No.: **29/731,830**
- (22) Filed: **Apr. 17, 2020**
- (51) **LOC (14) Cl.** **07-01**
- (52) **U.S. Cl.**
USPC **D7/392.1; D7/391**
- (58) **Field of Classification Search**
USPC D7/310, 319, 323, 354-363, 391, 392, D7/392.1, 393-396, 396.2, 401.1, 510, D7/511; D9/435, 440, 443, 447, D9/449-453, 454, 504, 523, 670; D24/108
CPC .. A47G 19/027; A47G 19/12; A47G 19/2272; A47J 27/00; A47J 27/002; A47J 27/08; A47J 27/13; A47J 27/21; A47J 27/58; A47J 36/025; A47J 36/027; A47J 36/06; A47J 36/12; A47J 37/00; A47J 37/0704; A47J 37/10; A47J 37/101; A47J 37/103; A47J 37/12; A47J 37/1204; A47J 39/02; A47J 45/061; A47J 45/071; A47J 45/08; B65D 41/0407; B65D 17/401; B65D 51/28; H05B 6/12; H05B 6/804; H05B 6/6494; A61J 1/2093; A61J 11/00
See application file for complete search history.

4,574,174 A	3/1986	McGonigle	
D305,409 S	1/1990	Michaud et al.	
D315,507 S *	3/1991	Ochs	D9/453
D318,804 S *	8/1991	Ochs	D9/453
5,419,451 A	5/1995	Bitel, Jr.	
D395,985 S	7/1998	Krupa et al.	
D415,422 S	10/1999	McCann	
D437,228 S *	2/2001	Collins	D9/453
D441,290 S *	5/2001	West	D7/392.1
D442,484 S	5/2001	Maxwell et al.	
D451,769 S	12/2001	Stanos et al.	
6,467,647 B1	10/2002	Tucker et al.	
6,471,084 B2	10/2002	Erb	
D489,579 S	5/2004	Wright	
D494,857 S	8/2004	Chen et al.	
6,910,599 B2	6/2005	Tucker et al.	

(Continued)

OTHER PUBLICATIONS

Nalgene Tritan Mouth BPA-Free Water Bottle Lid. Date First Available on Amazon.com Jun. 8, 2005. [https://www.amazon.com/Nalgene-Tritan-Narrow-BPA-Free-Bottle/dp/B06XRPQZ1R/ref\(Year:2005\).*](https://www.amazon.com/Nalgene-Tritan-Narrow-BPA-Free-Bottle/dp/B06XRPQZ1R/ref(Year:2005).*)

Primary Examiner — Ricky Pham
(74) *Attorney, Agent, or Firm* — Birch Stewart, Kolasch & Birch, LLP

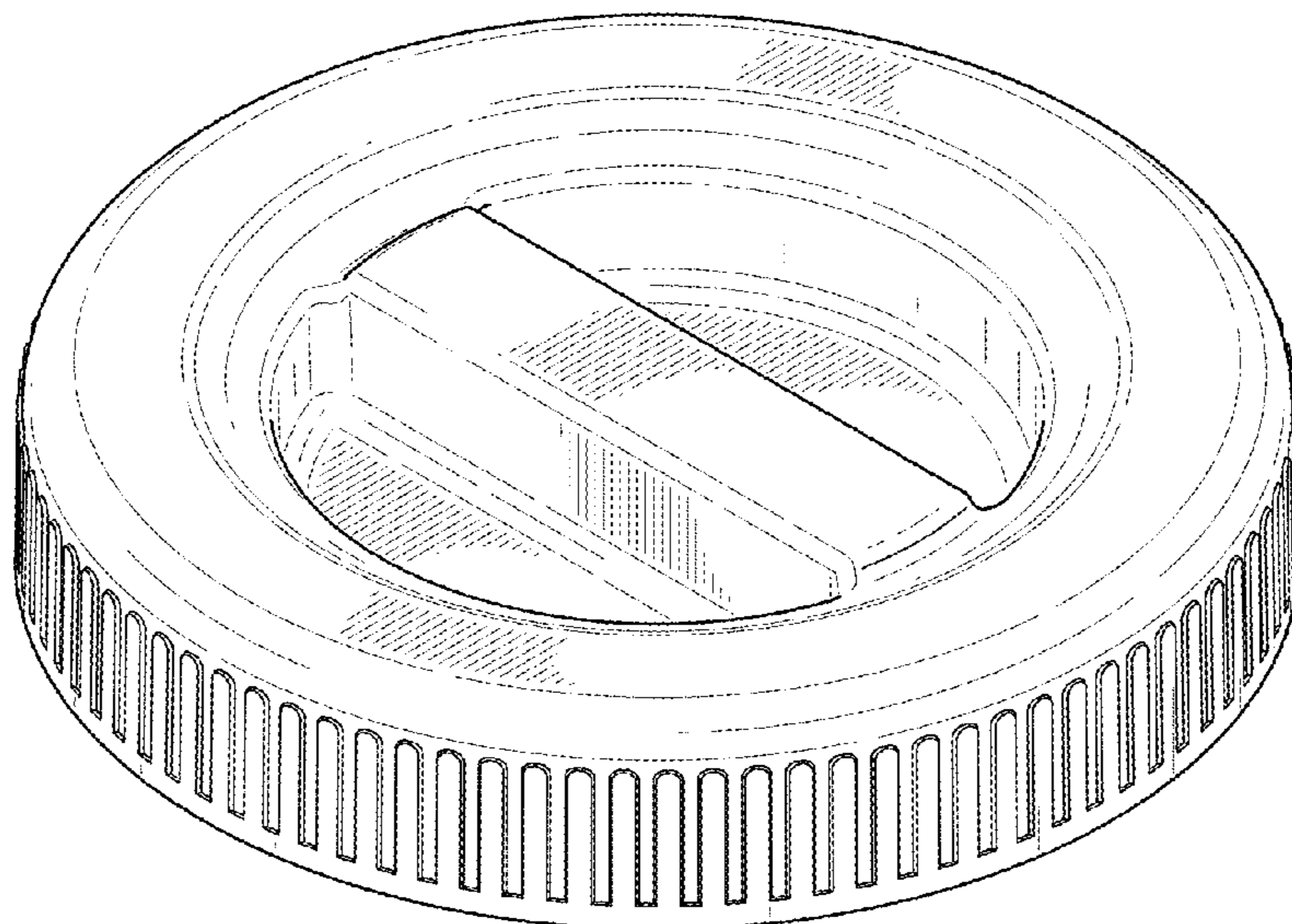
(57) **CLAIM**
The ornamental design for a lid, as shown and described.

DESCRIPTION

FIG. 1 is a top, front, right perspective view of a lid showing my new design;
FIG. 2 is a front view thereof;
FIG. 3 is a rear view thereof;
FIG. 4 is a left side view thereof;
FIG. 5 is a right side view thereof;
FIG. 6 is a top plan view thereof; and,
FIG. 7 is a bottom plan view thereof.

1 Claim, 7 Drawing Sheets

- (56) **References Cited**
U.S. PATENT DOCUMENTS
3,107,027 A 10/1963 Hong
4,081,646 A 3/1978 Goitsos



(56)

References Cited

U.S. PATENT DOCUMENTS

D515,880 S	2/2006	Lerner	
D518,719 S *	4/2006	von Spreckelsen D9/453
7,097,066 B2	8/2006	Tucker et al.	
D539,666 S	4/2007	Chou	
7,261,219 B2	8/2007	Tucker et al.	
D552,487 S	10/2007	Chou	
D586,623 S	2/2009	Dunn	
D588,866 S *	3/2009	Ho D7/391
D591,152 S *	4/2009	Hatalla D9/453
D596,499 S	7/2009	Willis et al.	
D606,812 S	12/2009	Wu	
D608,153 S	1/2010	Furlong	
7,726,483 B2	6/2010	Ramanujam et al.	
D665,674 S	8/2012	Wu	
D665,675 S	8/2012	Wu	
D665,676 S	8/2012	Wu	
D666,058 S	8/2012	Liang et al.	
8,317,044 B2	11/2012	Wu et al.	
D691,038 S	10/2013	Tyberghein	
D691,901 S	10/2013	Epstein	
D694,110 S *	11/2013	Tanner D9/453
D695,575 S	12/2013	Katz	
D696,910 S	1/2014	Franczyk et al.	
D707,120 S	6/2014	Tyberghein	
D711,220 S	8/2014	Tyberghein	
D744,294 S	12/2015	Linder	
D749,354 S *	2/2016	Lentine D7/354
D755,579 S	5/2016	Wu	
D763,706 S	8/2016	Shum et al.	
D768,490 S *	10/2016	Robinson D9/449
D769,113 S	10/2016	Chen	
D804,240 S *	12/2017	Freeman D7/391
10,494,143 B2	12/2019	Kuo et al.	
D877,884 S *	3/2020	Davis D9/434
D903,408 S *	12/2020	Massucco D9/453
2006/0029695 A1	2/2006	Kaczor	
2006/0201950 A1	9/2006	Liu	
2011/0020772 A1	1/2011	Carter et al.	
2017/0113848 A1	4/2017	Zhen	
2018/0086500 A1	3/2018	Kuo	

* cited by examiner

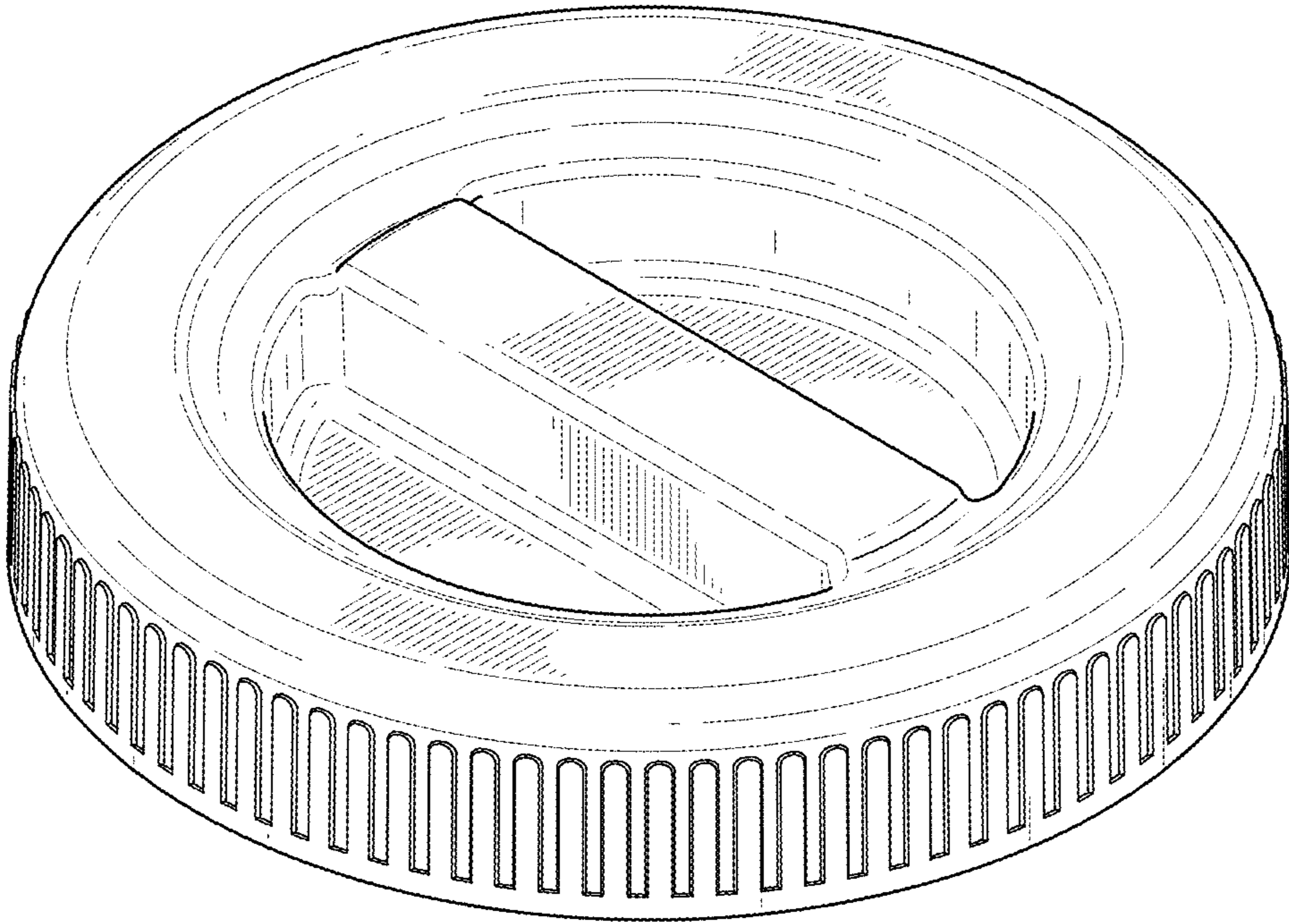


FIG.1

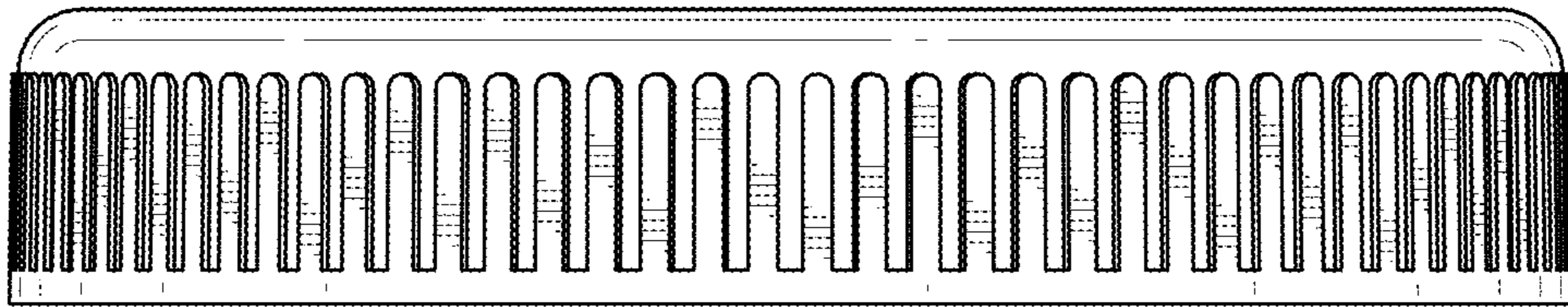


FIG.2

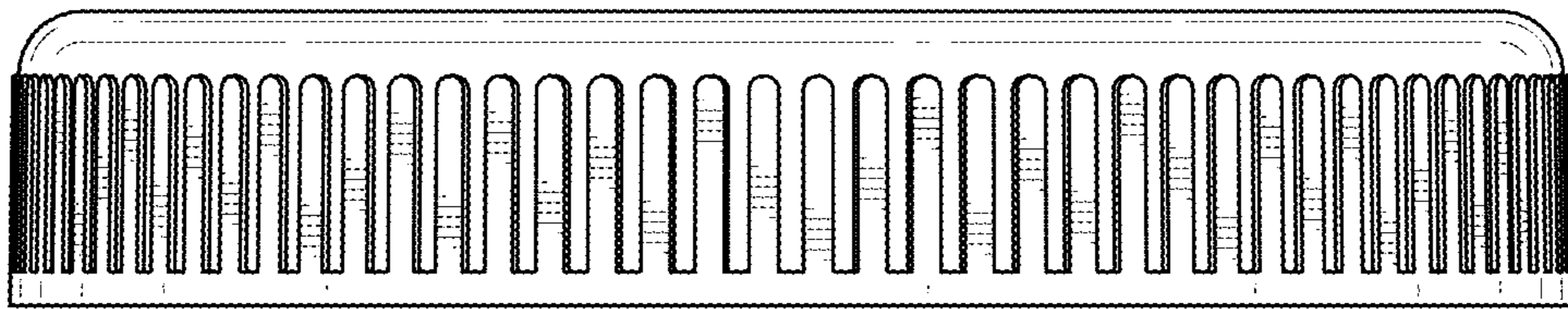


FIG.3

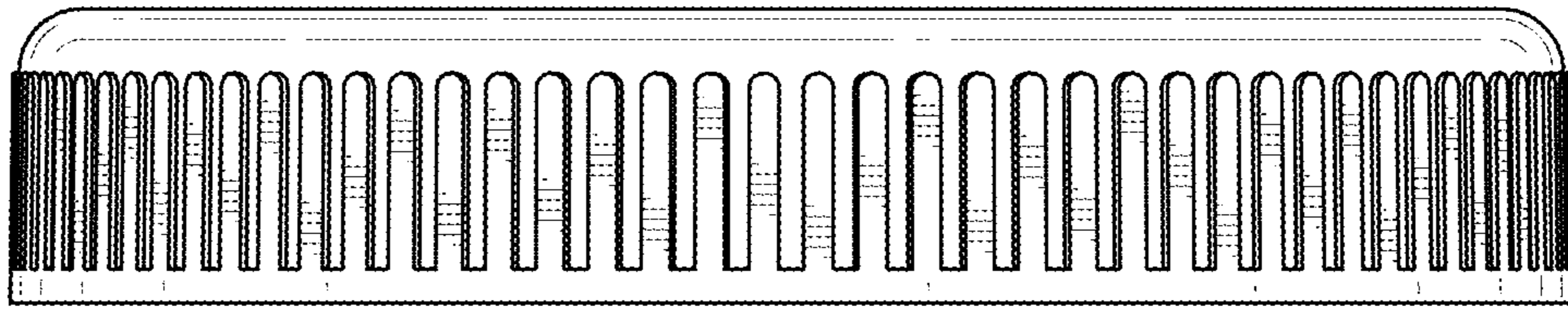


FIG.4

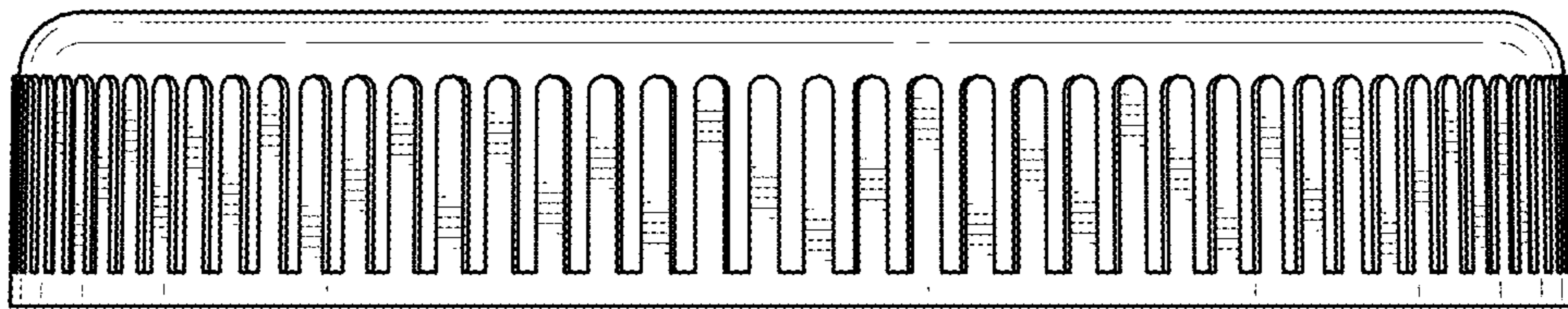


FIG.5

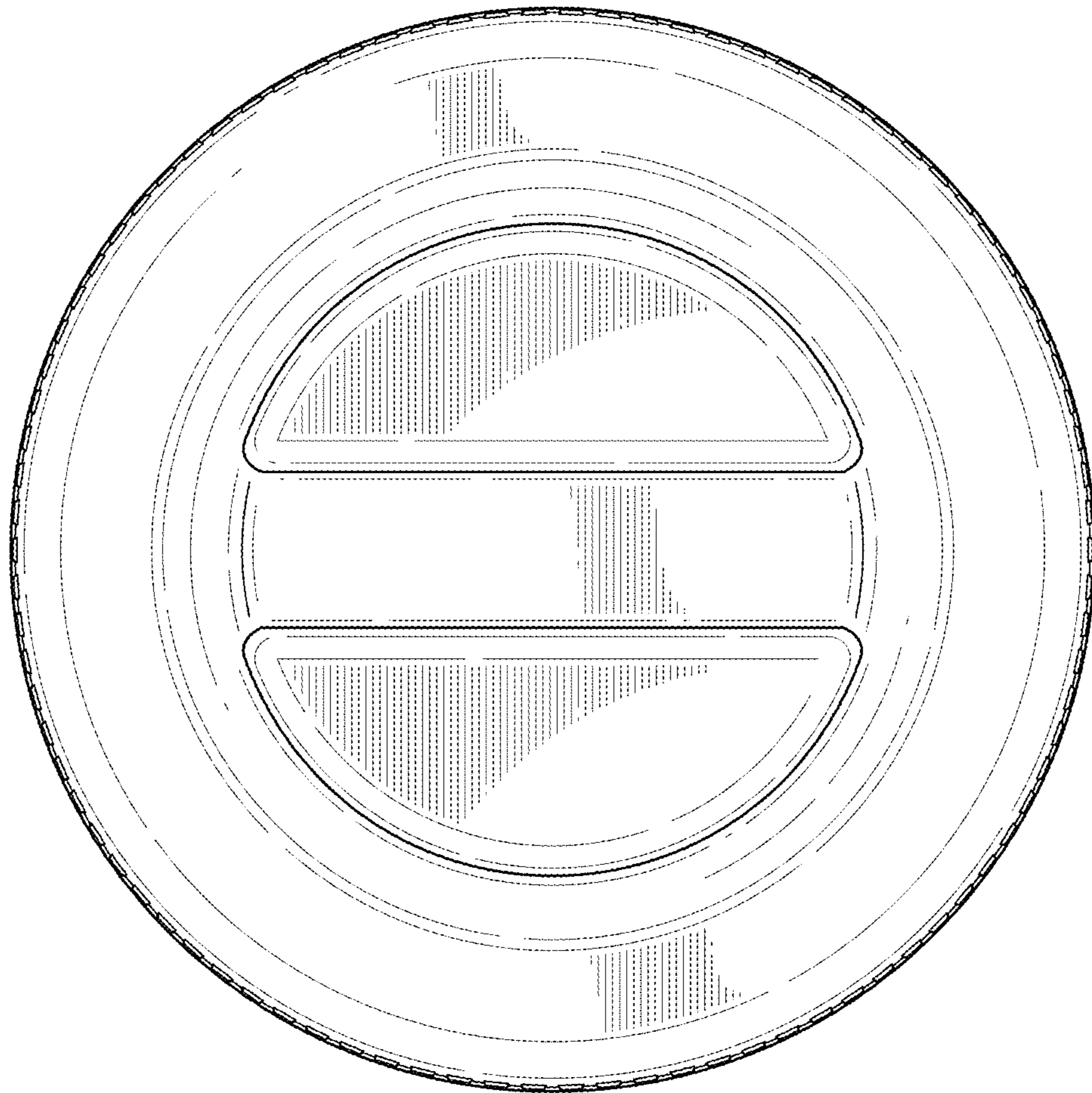


FIG.6

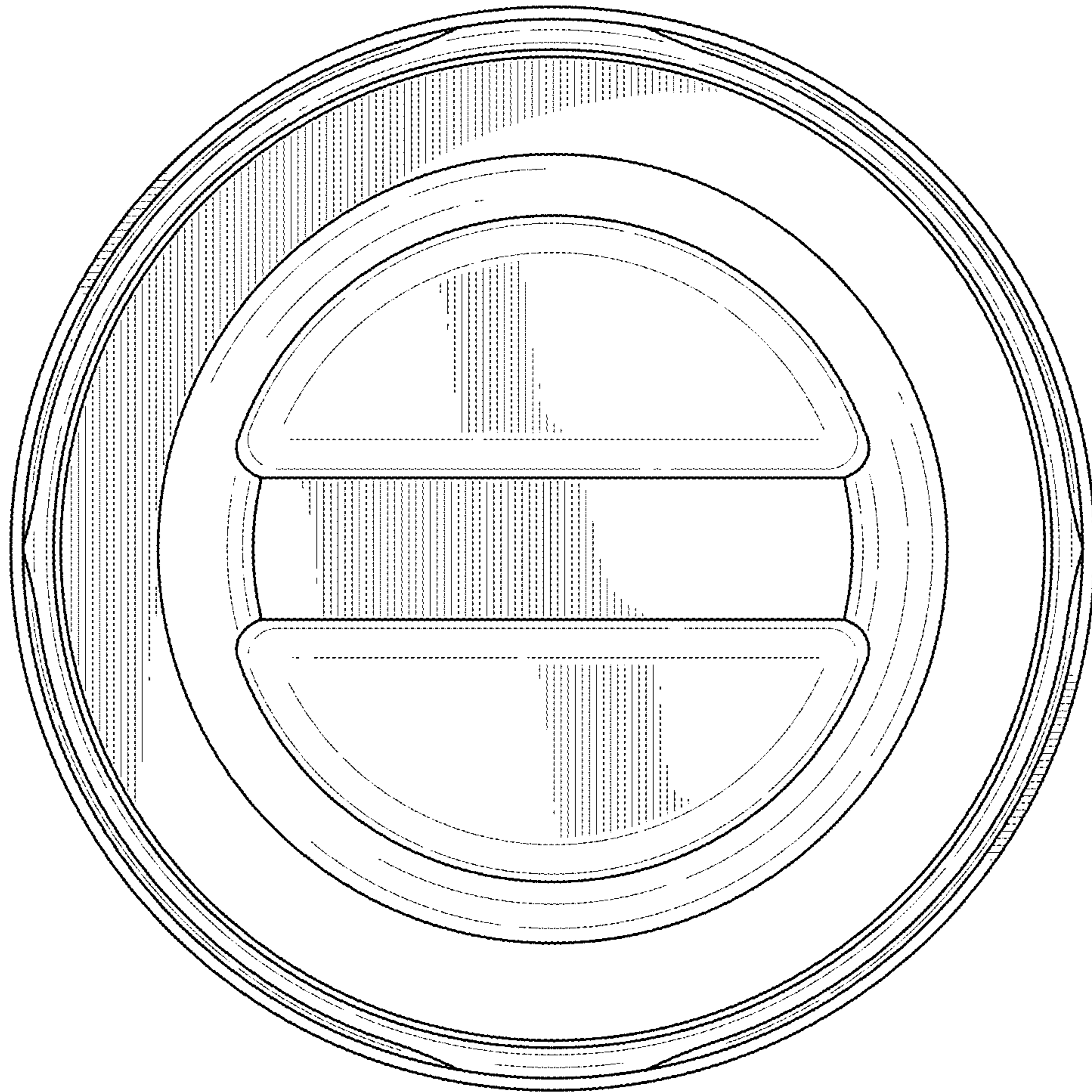


FIG.7