



US00D974103S

(12) **United States Design Patent**
Saadeh

(10) **Patent No.:** **US D974,103 S**
(45) **Date of Patent:** **** Jan. 3, 2023**

(54) **CONTAINER LID**

- (71) Applicant: **GOURMET HOME PRODUCTS, LLC**, New York, NY (US)
- (72) Inventor: **Jack Saadeh**, New York, NY (US)
- (73) Assignee: **GOURMET HOME PRODUCTS, LLC**, New York, NY (US)
- (**) Term: **15 Years**

(21) Appl. No.: **29/727,870**

(22) Filed: **Mar. 13, 2020**

(51) **LOC (14) Cl.** **07-01**

(52) **U.S. Cl.**

USPC **D7/392.1**; D7/391

(58) **Field of Classification Search**

USPC D7/310, 319, 323, 354–363, 391, 392, D7/392.1, 393–396, 396.2, 401.1, 510, D7/511; D9/435, 440, 447, 453, 454, D9/504, 523

CPC A47G 19/027; A47G 19/12; A47J 27/00; A47J 27/002; A47J 27/08; A47J 27/13; A47J 27/21; A47J 27/58; A47J 36/025; A47J 36/027; A47J 36/06; A47J 36/12; A47J 37/00; A47J 37/0704; A47J 37/10; A47J 37/101; A47J 37/103; A47J 37/12; A47J 37/1204; A47J 39/02; A47J 45/061; A47J 45/071; A47J 45/08; B65D 41/0407; B65D 51/28; H05B 6/12; H05B 6/804; H05B 6/6494; A61J 1/2093; A61J 11/00

See application file for complete search history.

(56) **References Cited**

U.S. PATENT DOCUMENTS

- D872,522 S * 1/2020 Diener D9/449
- D881,642 S * 4/2020 Zhang D7/392.1

(Continued)

OTHER PUBLICATIONS

Sendestar Straw Lid for Hydro Flask. Date Reviewed on Amazon.com May 21, 2019. <https://www.amazon.com/Hydroflask-Compatible-Hydroflasks-Wide-Mouth-Replacement/dp/B09NVSXMPR/ref> (Year: 2019).*

Primary Examiner — Ricky Pham

(74) *Attorney, Agent, or Firm* — Dorsey & Whitney LLP

(57) **CLAIM**

I claim the ornamental design for a container lid, substantially as shown and described.

DESCRIPTION

FIG. 1 is an isometric view of an embodiment of a container lid in a first configuration and in an exemplary environment. FIG. 2 is a front elevation view of the container lid of FIG. 1.

FIG. 3 is a rear elevation view of the container lid of FIG. 1.

FIG. 4 is a right side elevation view of the container lid of FIG. 1.

FIG. 5 is a left side elevation view of the container lid of FIG. 1.

FIG. 6 is a top plan view of the container lid of FIG. 1.

FIG. 7 is a bottom plan view of the container lid of FIG. 1.

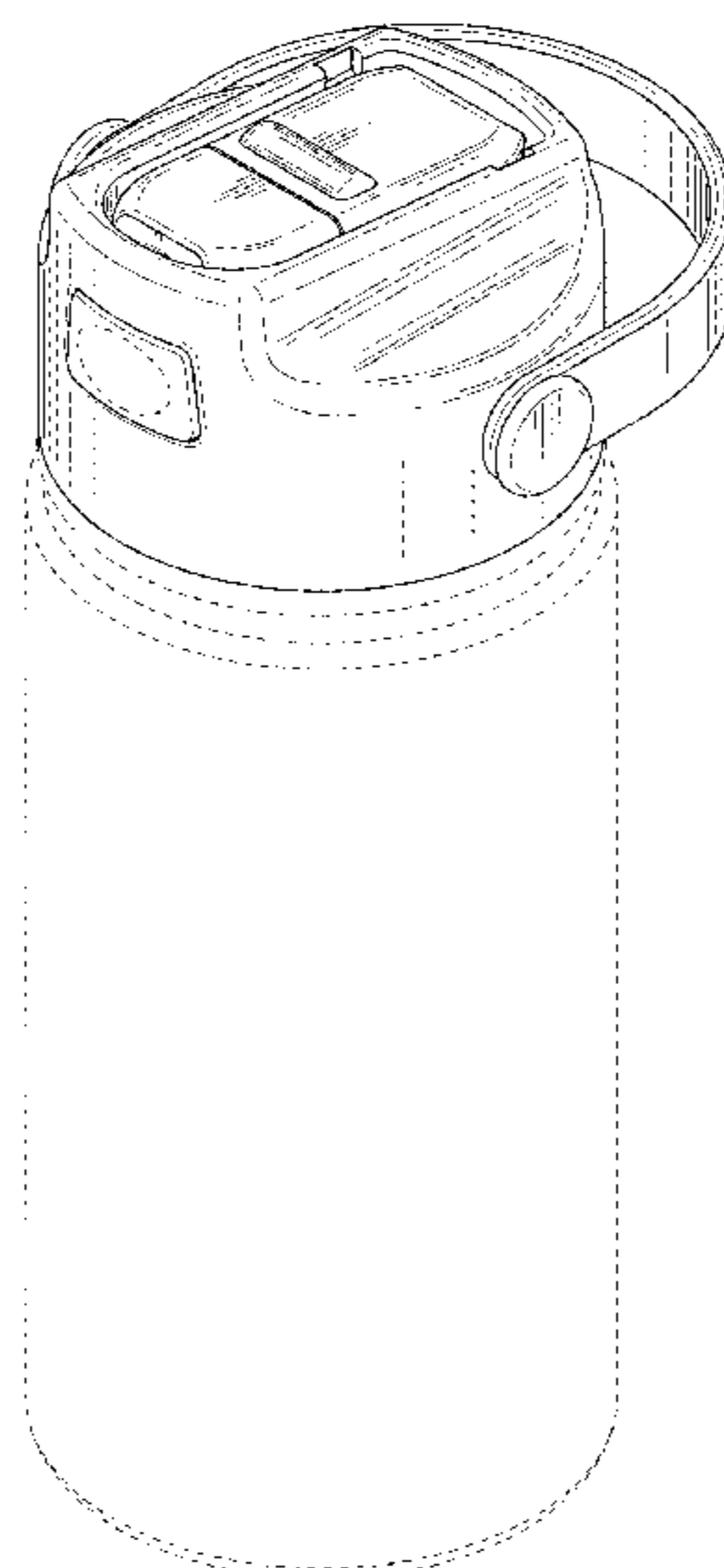
FIG. 8 is an isometric view of the container lid of FIG. 1 in a second configuration; and,

FIG. 9 a rear elevation view of the container lid of FIG. 8.

Any combination of the illustrated features, including claimed features and non-claimed features, may be claimed in this application or a continuing application claiming priority to this application by converting any portion of the broken lines to solid lines, any portion of the solid lines to broken lines, or both.

The broken lines in the drawings illustrate portions of the container lid or environment that form no part of the claimed design.

1 Claim, 5 Drawing Sheets



(56)

References Cited

U.S. PATENT DOCUMENTS

D893,245 S	*	8/2020	Zhang	D7/392.1
D897,761 S	*	10/2020	Zhang	D9/450
D900,539 S	*	11/2020	Yao	D7/392.1
D905,499 S	*	12/2020	Zhang	D9/450
D906,042 S	*	12/2020	Chen	D9/450
D911,100 S	*	2/2021	Chen	D9/450
D922,819 S	*	6/2021	Wang	D9/450
D924,000 S	*	7/2021	Chen	D7/392.1
D930,430 S	*	9/2021	Li	D7/392.1
D938,778 S	*	12/2021	Ge	D9/450
D951,701 S	*	5/2022	Zhang	D7/392.1

* cited by examiner

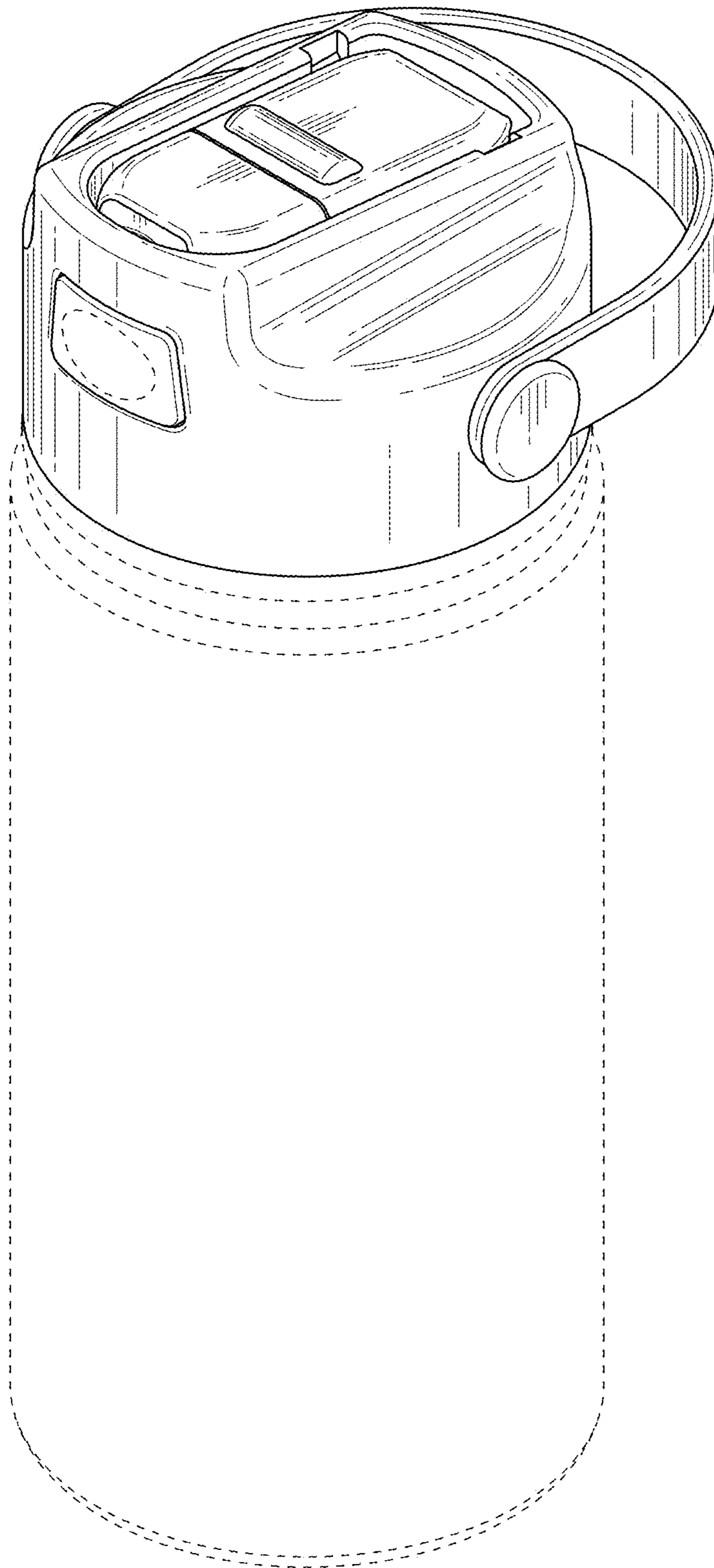


FIG. 1

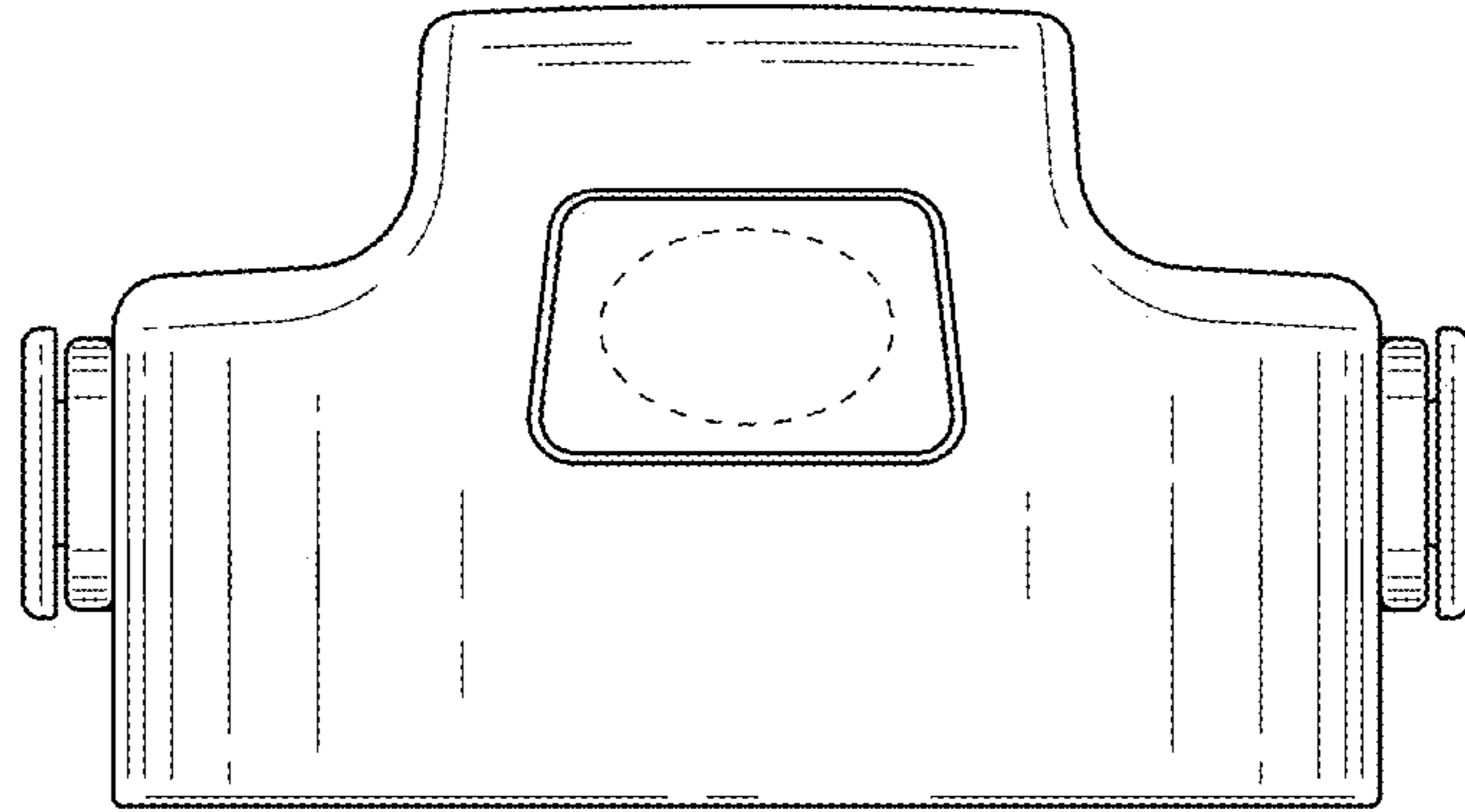


FIG. 2

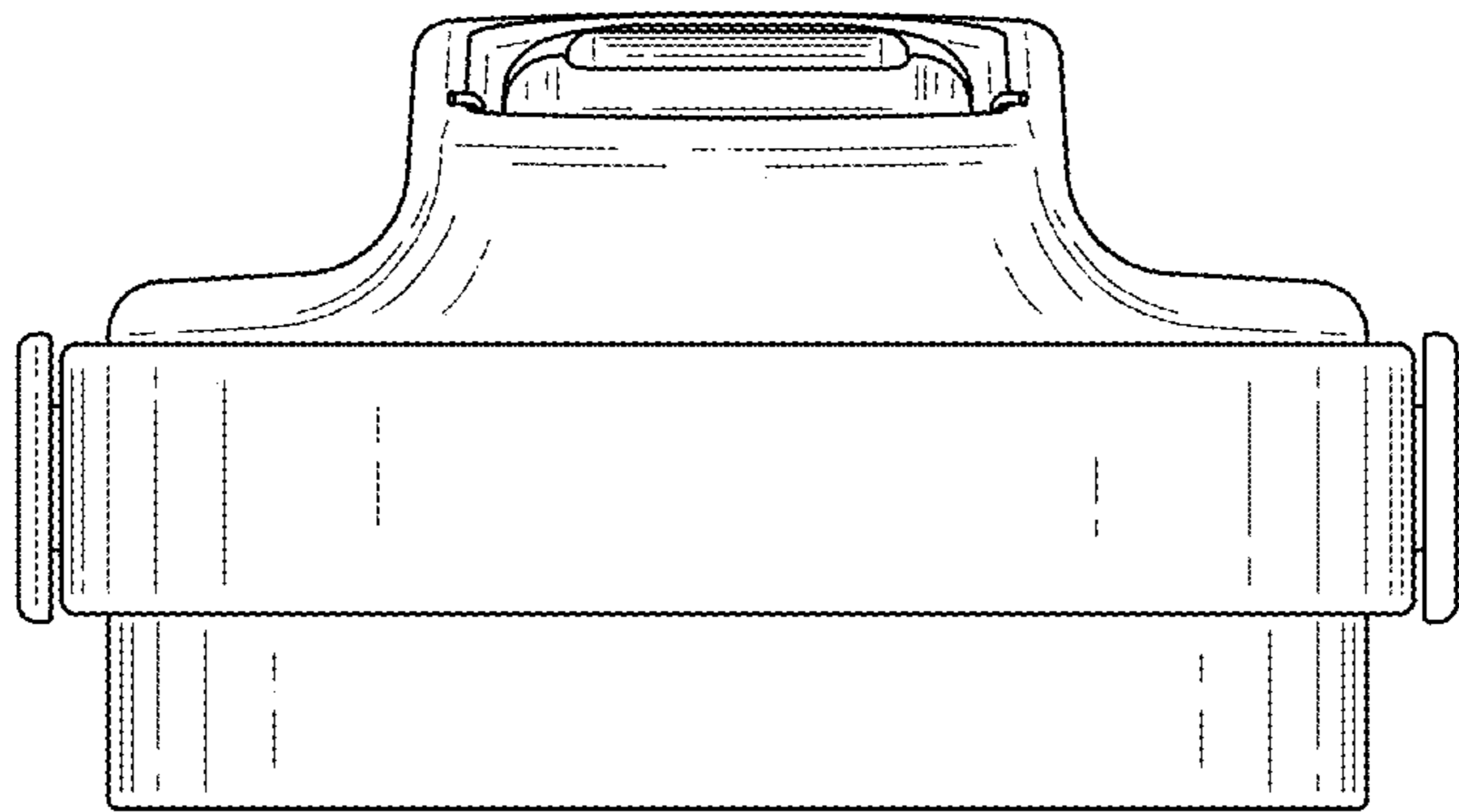


FIG. 3

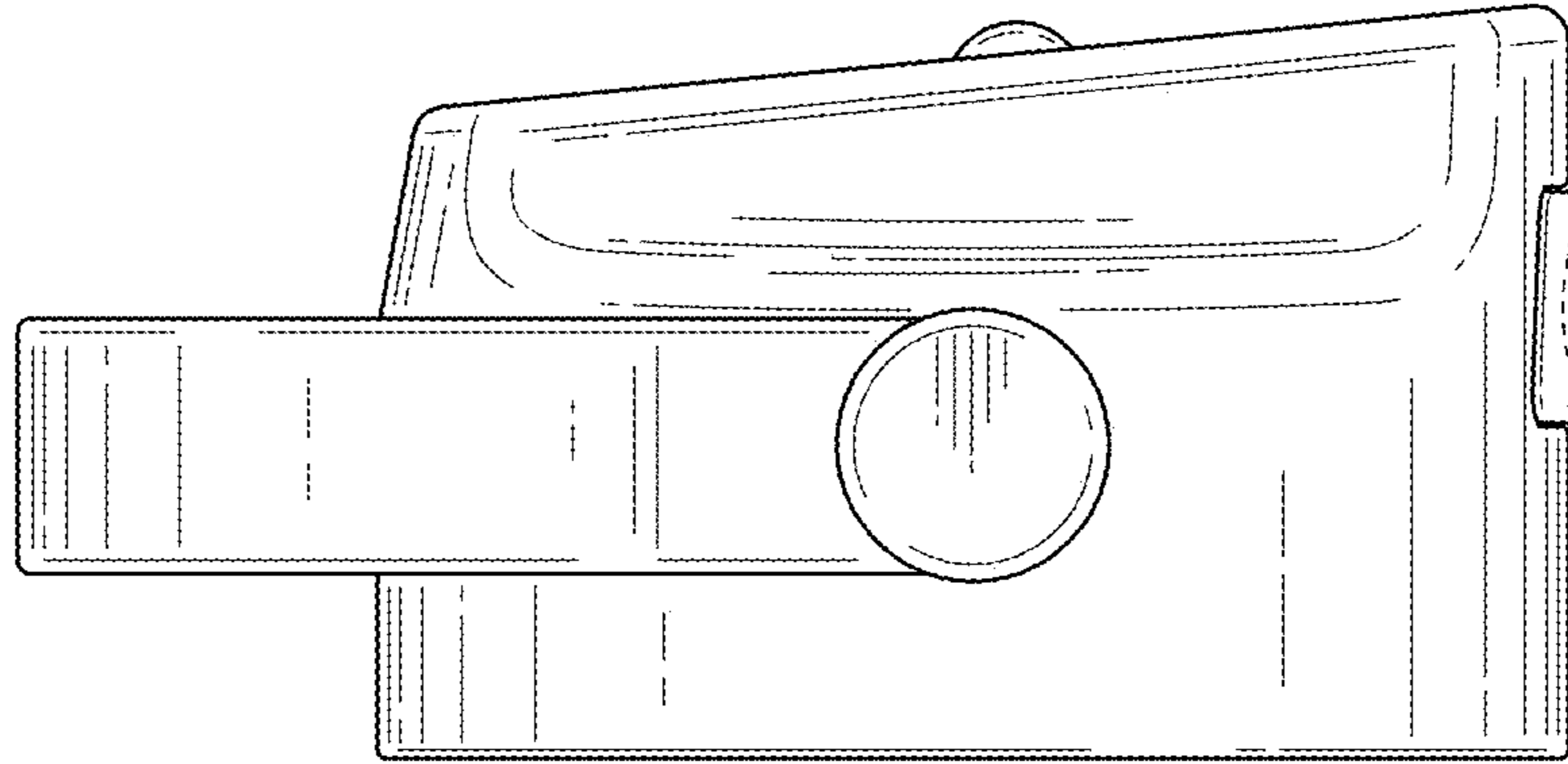


FIG. 4

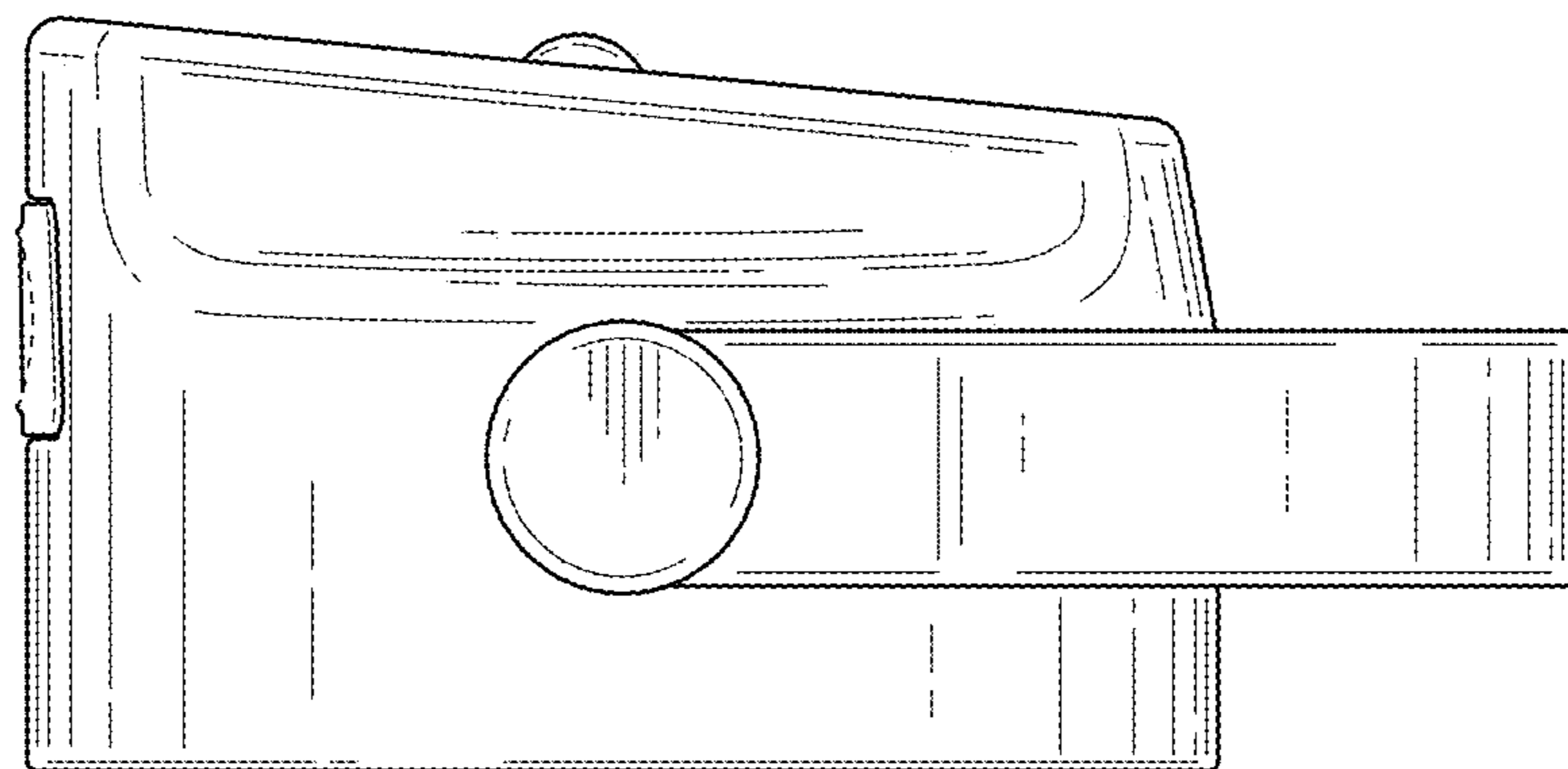


FIG. 5

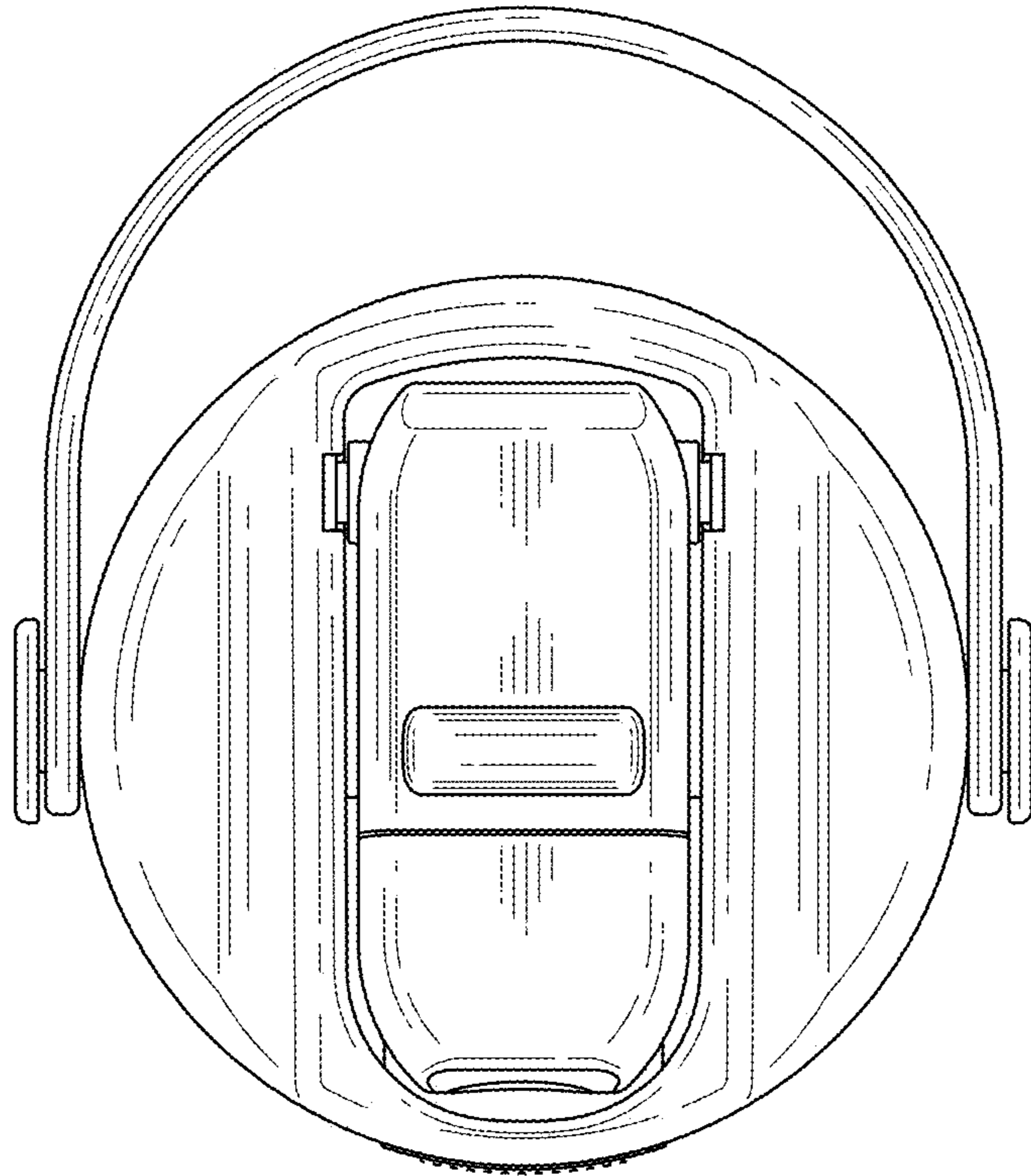


FIG. 6

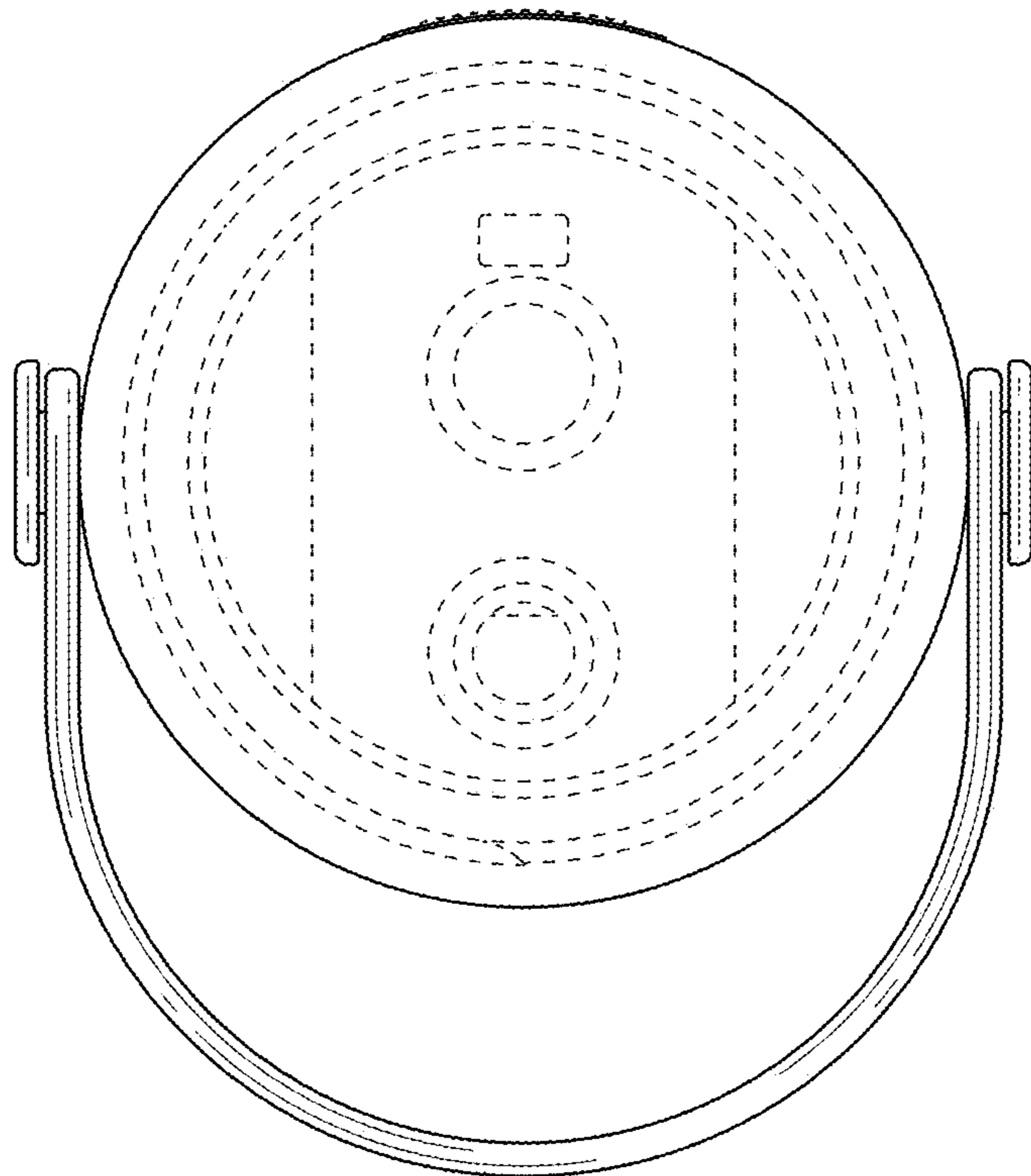


FIG. 7

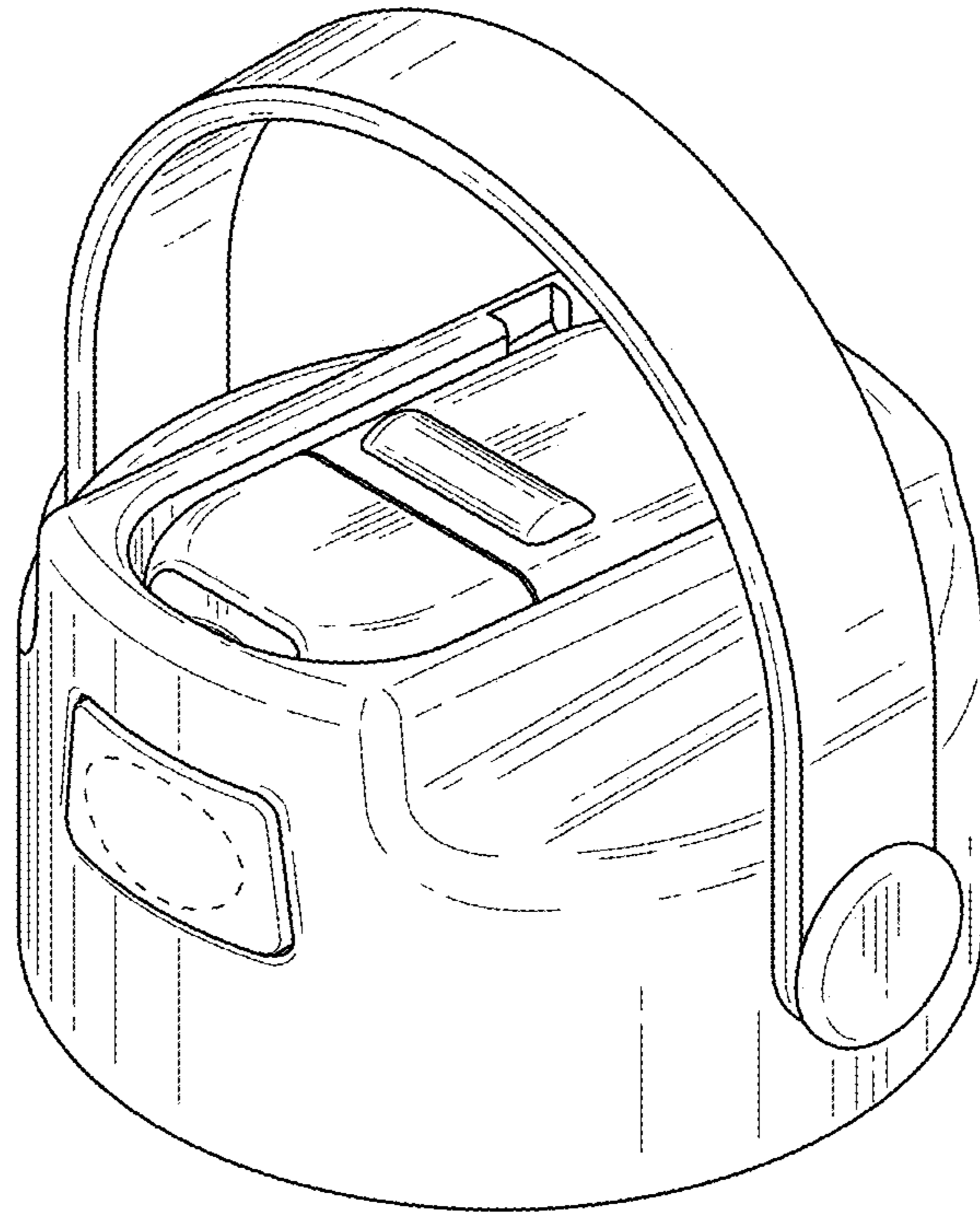


FIG. 8

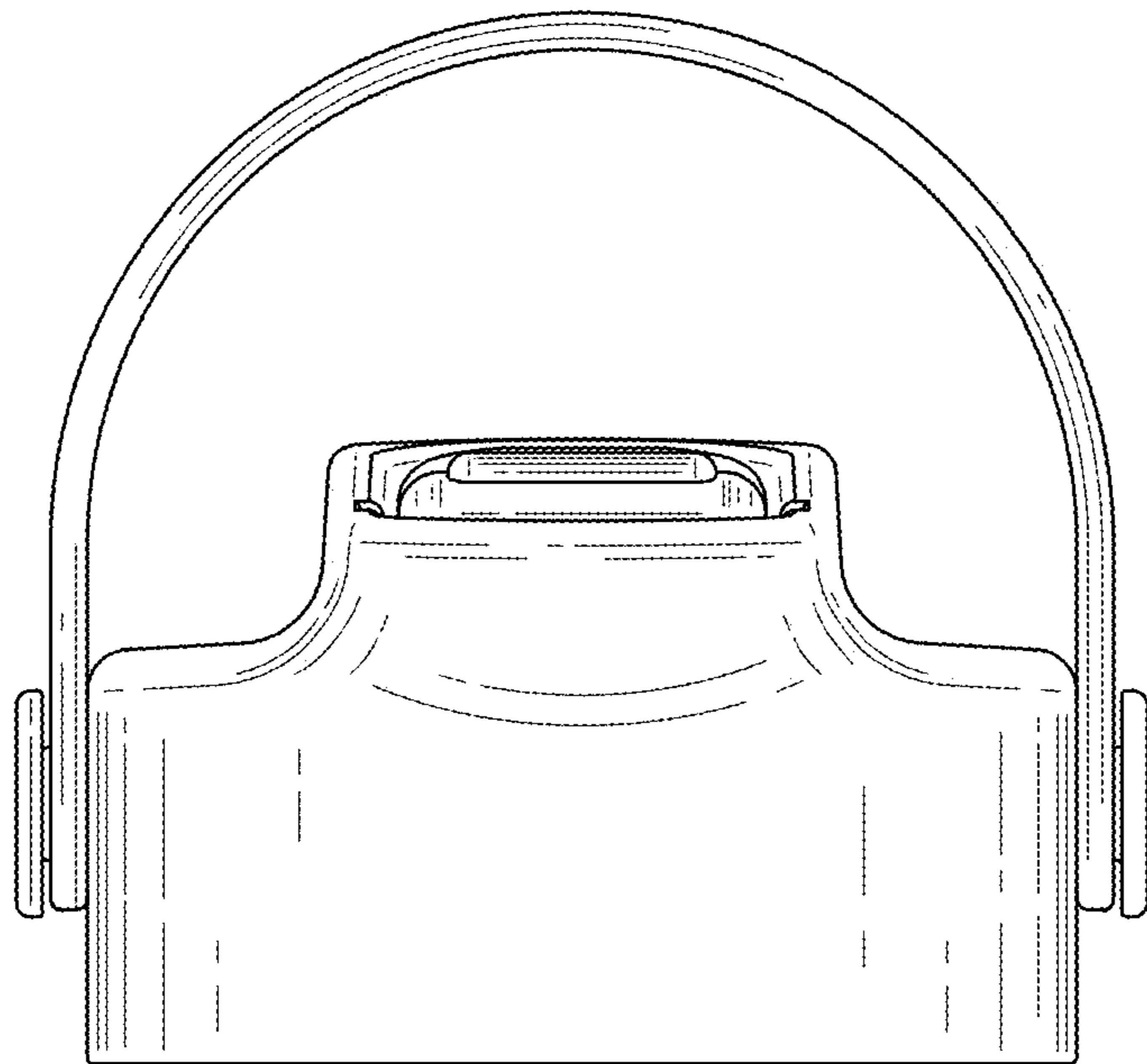


FIG. 9