



US00D974101S

(12) **United States Design Patent** (10) **Patent No.:** **US D974,101 S**
Hawkins et al. (45) **Date of Patent:** **** Jan. 3, 2023**

(54) **HERBAL INFUSION MACHINE**
(71) Applicants: **Jeffrey Clayton Hawkins**, Liberty, MO (US); **Peter Skartvedt**, Durango, CO (US)
(72) Inventors: **Jeffrey Clayton Hawkins**, Liberty, MO (US); **Peter Skartvedt**, Durango, CO (US)

D556,506 S * 12/2007 Spagnolo D7/378
D622,090 S * 8/2010 Bodum D7/319
D646,520 S * 10/2011 Collinson D7/378

(Continued)

FOREIGN PATENT DOCUMENTS

CN 304570122 * 4/2018
CN 307086999 * 1/2022
CN 307251757 * 4/2022

(**) **Term:** **15 Years**

OTHER PUBLICATIONS

(21) Appl. No.: **29/724,484**
(22) Filed: **Feb. 14, 2020**
(51) **LOC (14) Cl.** **07-02**
(52) **U.S. Cl.**
USPC **D7/354**
(58) **Field of Classification Search**
USPC D7/306, 309, 354, 355, 358, 361, 372, D7/373, 374, 375, 376, 377, 378, 379, D7/380, 381, 382, 383, 384, 385, 386, D7/412, 413, 602, 612, 694, 669, 679
CPC .. A47J 43/04; A47J 43/25; A47J 43/27; A47J 43/042; A47J 43/044; A47J 43/046; A47J 43/075; A47J 43/0722; A47J 43/0727; A21C 1/02; A21C 1/04; A23G 9/045; A23N 1/00; A23N 1/02
See application file for complete search history.

Herbal & Butter Infusion Machine, announced May 4, 2021 [online], retrieved Sep. 21, 2022, retrieved from internet, <https://www.amazon.com/Butter-Maker-Magical-Butter-Machine-Magic-Decarboxylator/dp/B09435MQ5Z>.*

(Continued)

Primary Examiner — Messina L Smith

(57) **CLAIM**

The ornamental design for an herbal infusion machine, as shown and described.

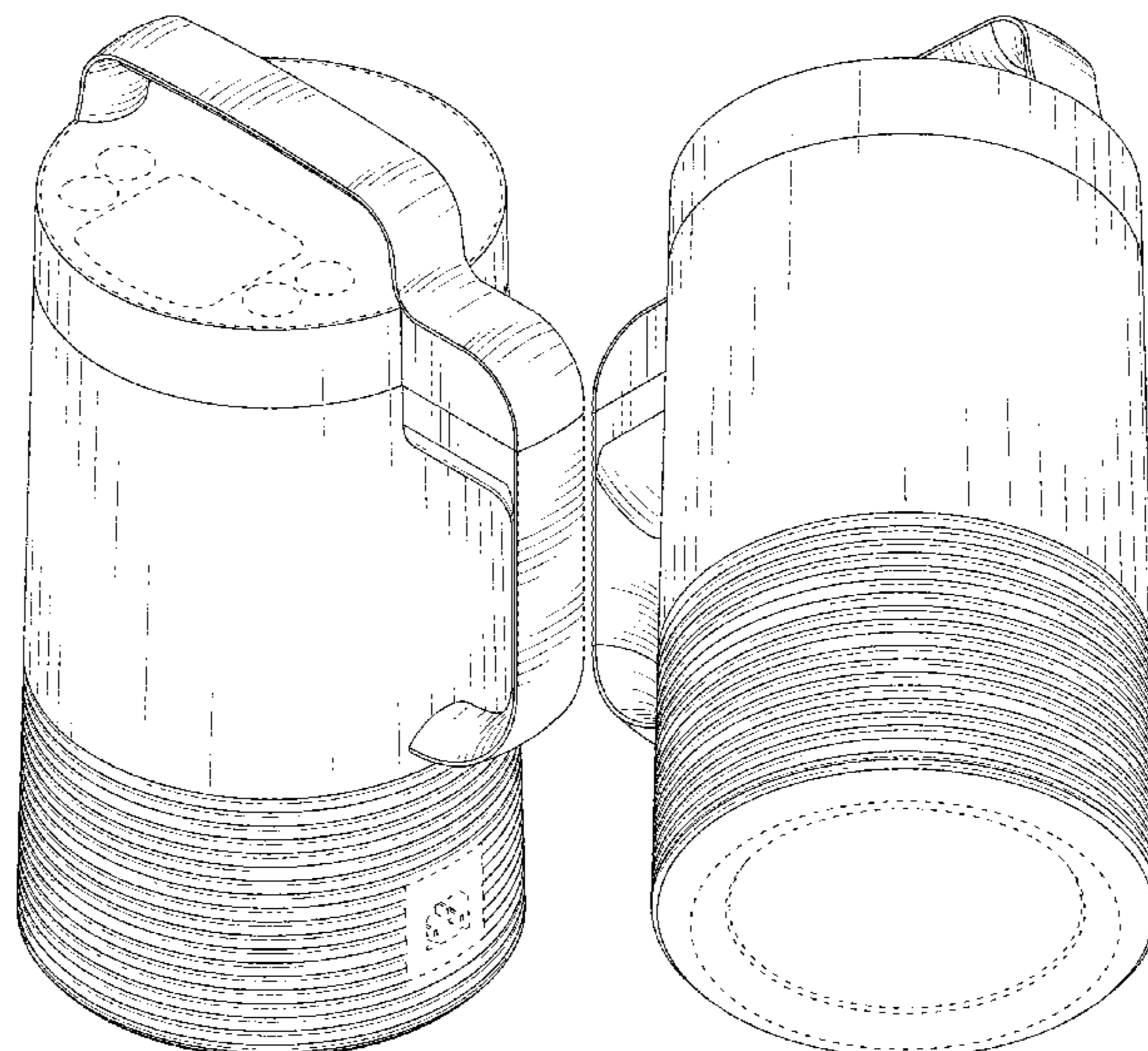
DESCRIPTION

FIG. 1 is a top perspective view of an herbal infusion machine showing my new design;
FIG. 2 is a bottom perspective view thereof;
FIG. 3 is a front elevated view thereof;
FIG. 4 is a rear elevated view thereof;
FIG. 5 is a top plan view thereof;
FIG. 6 is a bottom plan view thereof;
FIG. 7 is a right elevated view thereof; and,
FIG. 8 is a left elevated view thereof.
The broken lines showing of a user interface in FIGS. 1 and 5, the broken lines showing of a power port in FIGS. 1, 3, 4, and 8, and the broken lines showing of a base in FIGS. 2 and 6 are included for the purpose of showing environmental structure and form no part of the claimed design.

(56) **References Cited**
U.S. PATENT DOCUMENTS

2,190,203 A * 2/1940 Barnard A47J 47/04 220/578
D200,116 S * 1/1965 Olsen D7/608
D295,820 S * 5/1988 Minsky D7/317
D321,301 S * 11/1991 Purkapile D7/319
D367,580 S * 3/1996 Joergensen D7/317
6,224,253 B1 * 5/2001 Dixon B01F 27/88 366/325.92
D448,235 S * 9/2001 Jørgensen D7/319
D473,092 S * 4/2003 Heiberg D7/319

1 Claim, 8 Drawing Sheets



(56)

References Cited

U.S. PATENT DOCUMENTS

8,042,456 B2 * 10/2011 Elissen A47J 27/004
99/323.3
D668,905 S * 10/2012 Lane D7/533
D720,175 S * 12/2014 Gort-Barten D7/322
D876,148 S * 2/2020 Jing D7/318
D913,046 S * 3/2021 Spivey D7/608
D961,980 S * 8/2022 Symons D7/413
2013/0284030 A1 * 10/2013 Katz A47J 31/38
99/297
2020/0359841 A1 * 11/2020 Dercar A47J 27/004
2021/0137315 A1 * 5/2021 Byun A47J 45/067

OTHER PUBLICATIONS

Infusion Buds Butter Infuser Machine, announced Aug. 4, 2021 [online], retrieved Sep. 21, 2022, retrieved from internet, <https://www.amazon.com/Infusion-Infuser-Machine-Machine-Machine/dp/B09BTHKND9>.*

Electric Infuser, announced © 2022 [online], retrieved Sep. 21, 2022, retrieved from internet, <https://activegareguy.com/products/active-gear-guy-infuser-machine-for-butters-oils-tinctures-chocolate-and-gummies-decarb-feature-included-comes-with-silicon-mold-and-instruction-recipe-manual>.*

The 8 Best Herbal Infuser Machines Where Cannabis Can Be the Main Ingredient, announced Mar. 5, 2022 [online], retrieved Sep. 21, 2022, retrieved from internet, <https://www.imbringingbloggingback.com/trends/infuser-machines/>.*

Giveneu Butter Maker Machine, announced © 2000-2022 [online], retrieved Sep. 21, 2022, retrieved from internet, <https://www.newegg.com/p/0TR-012G-00001>.*

* cited by examiner

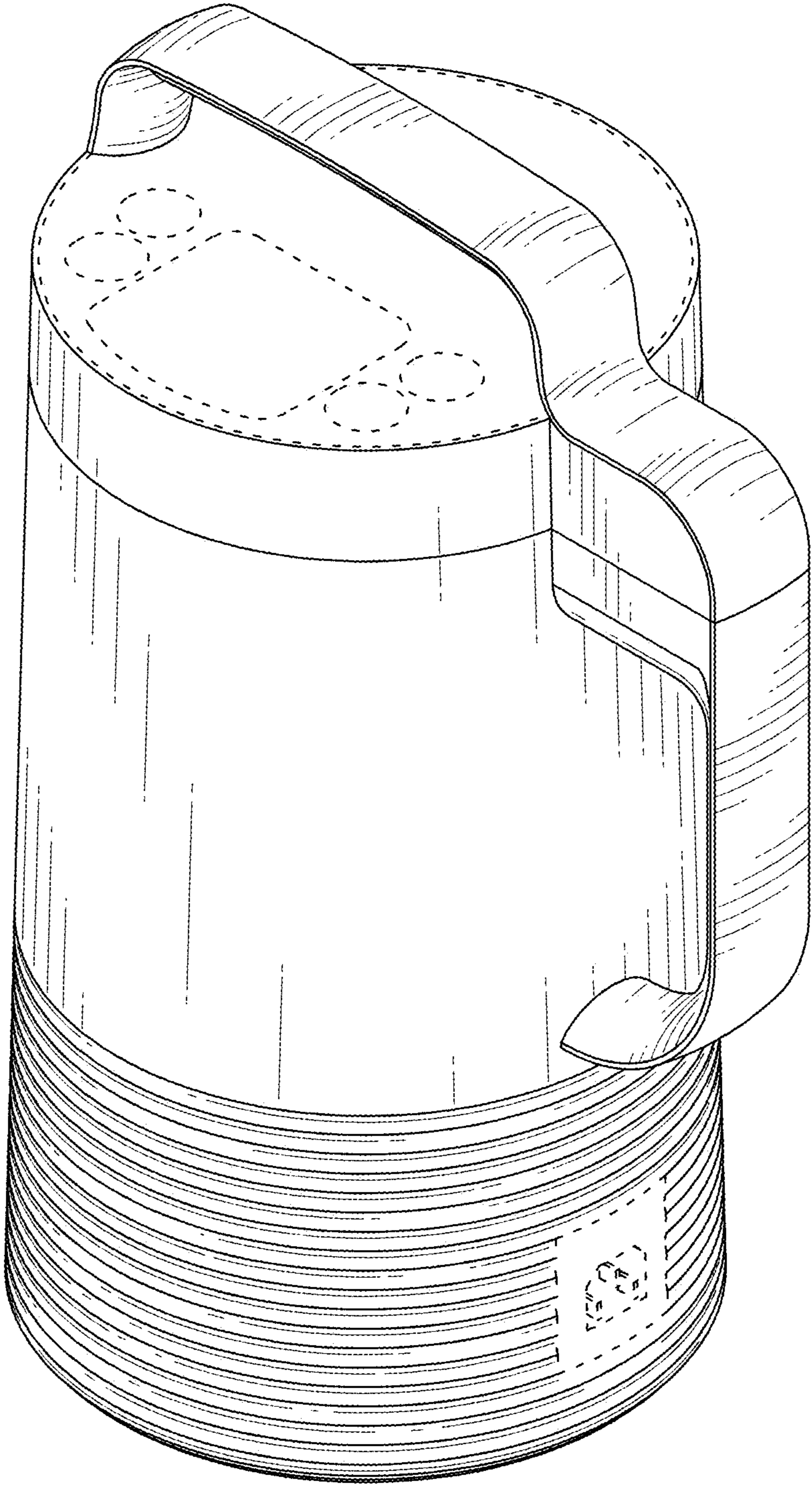


FIG. 1

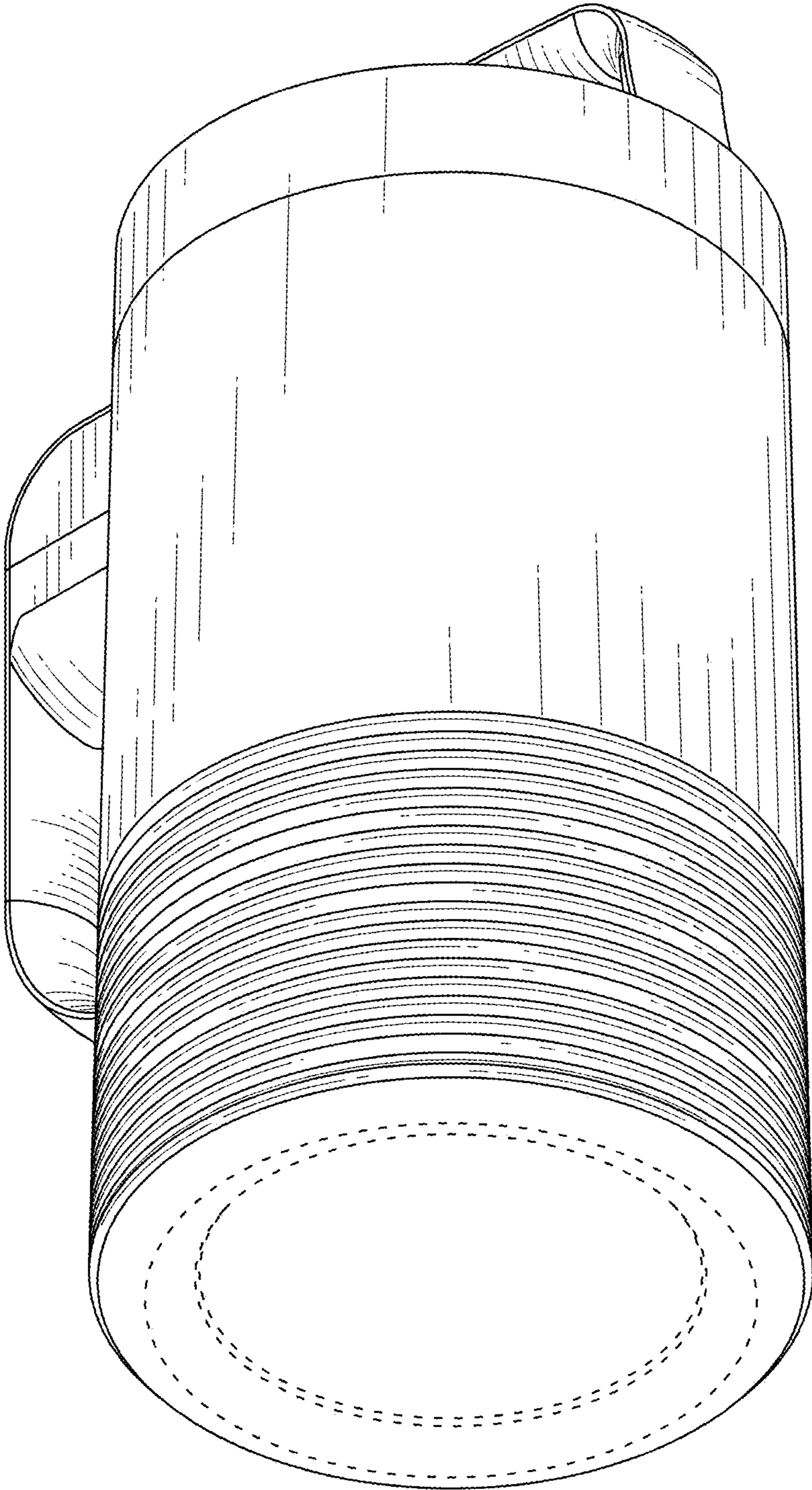


FIG. 2

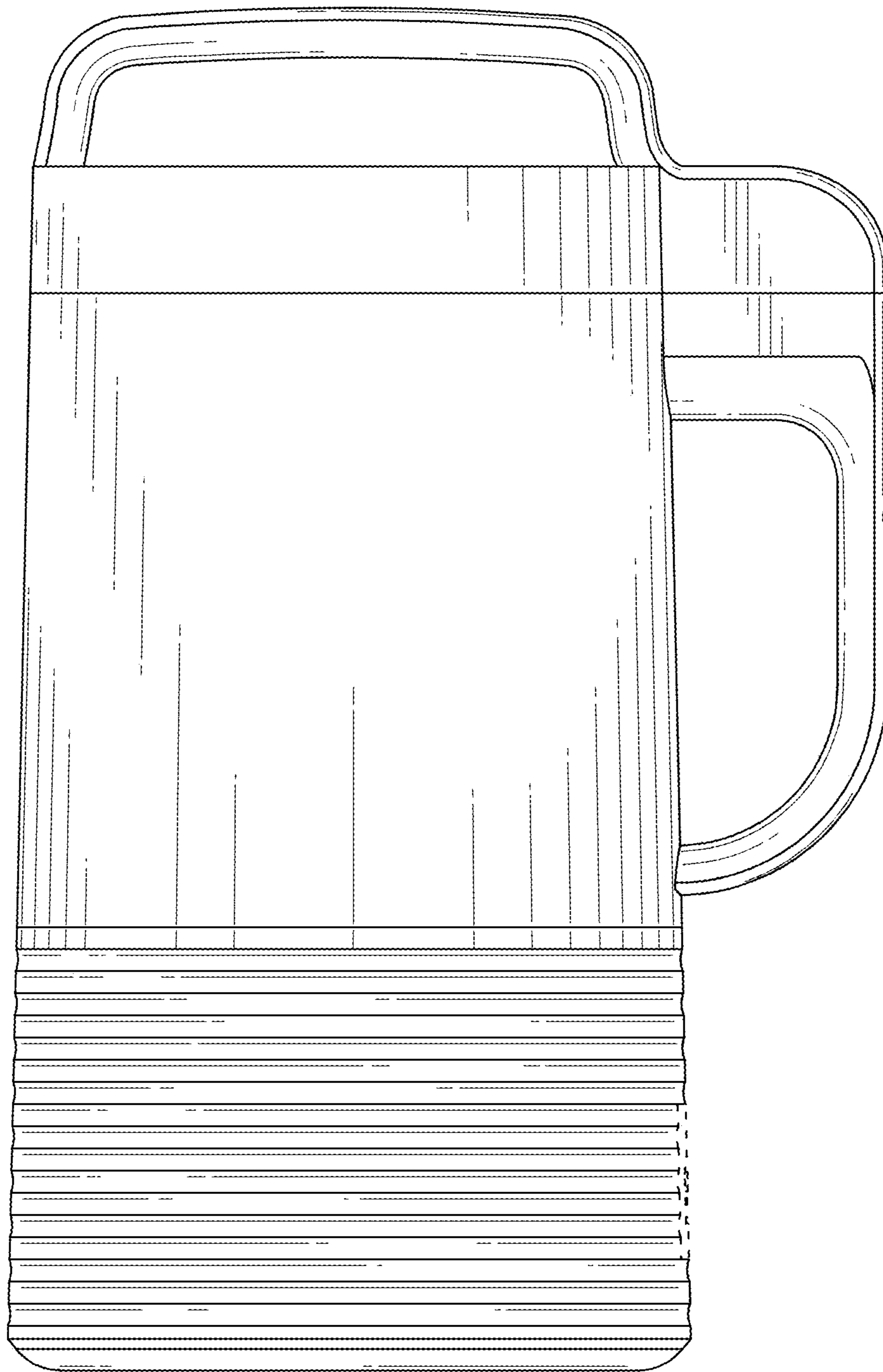


FIG. 3

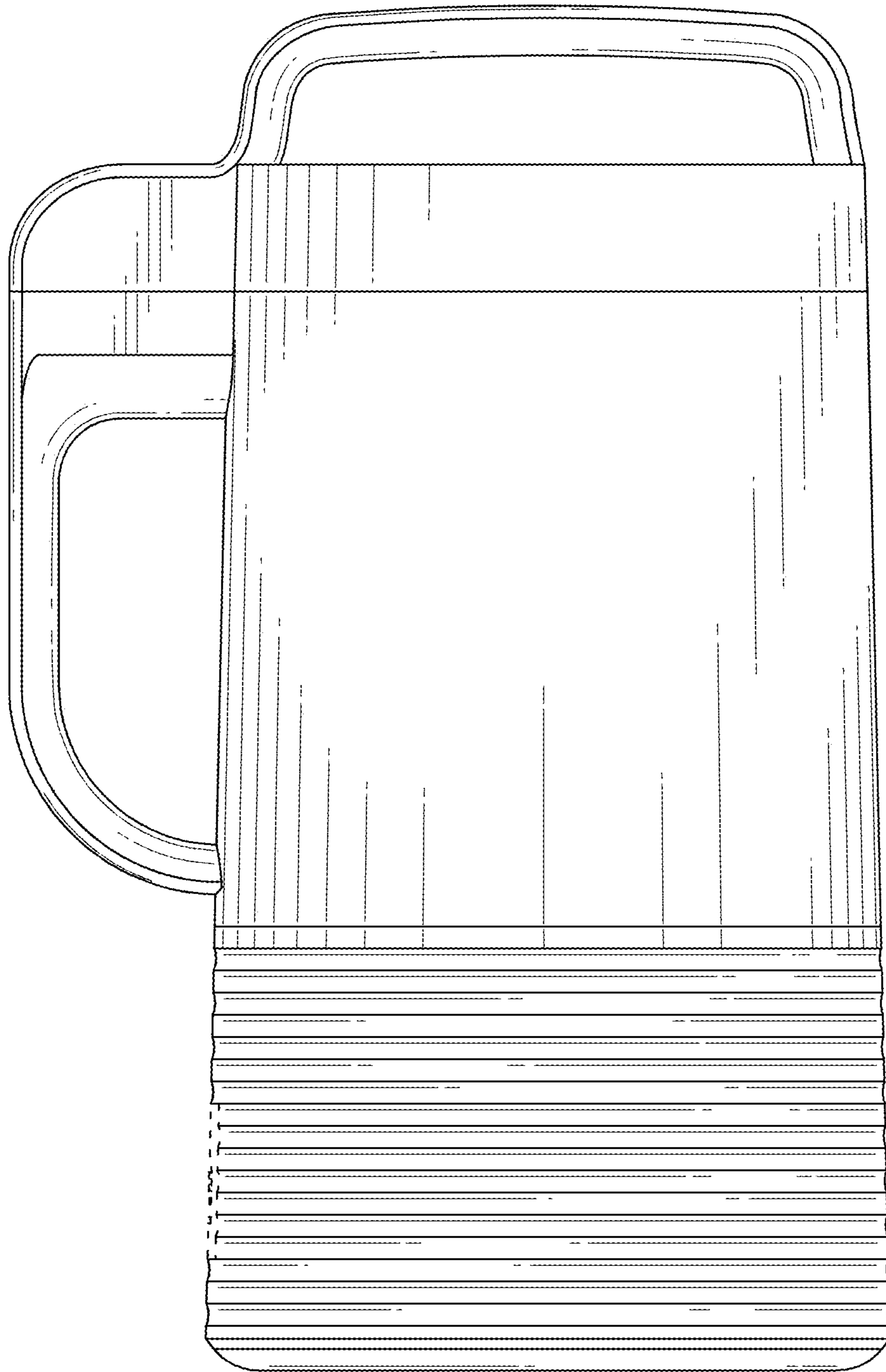


FIG. 4

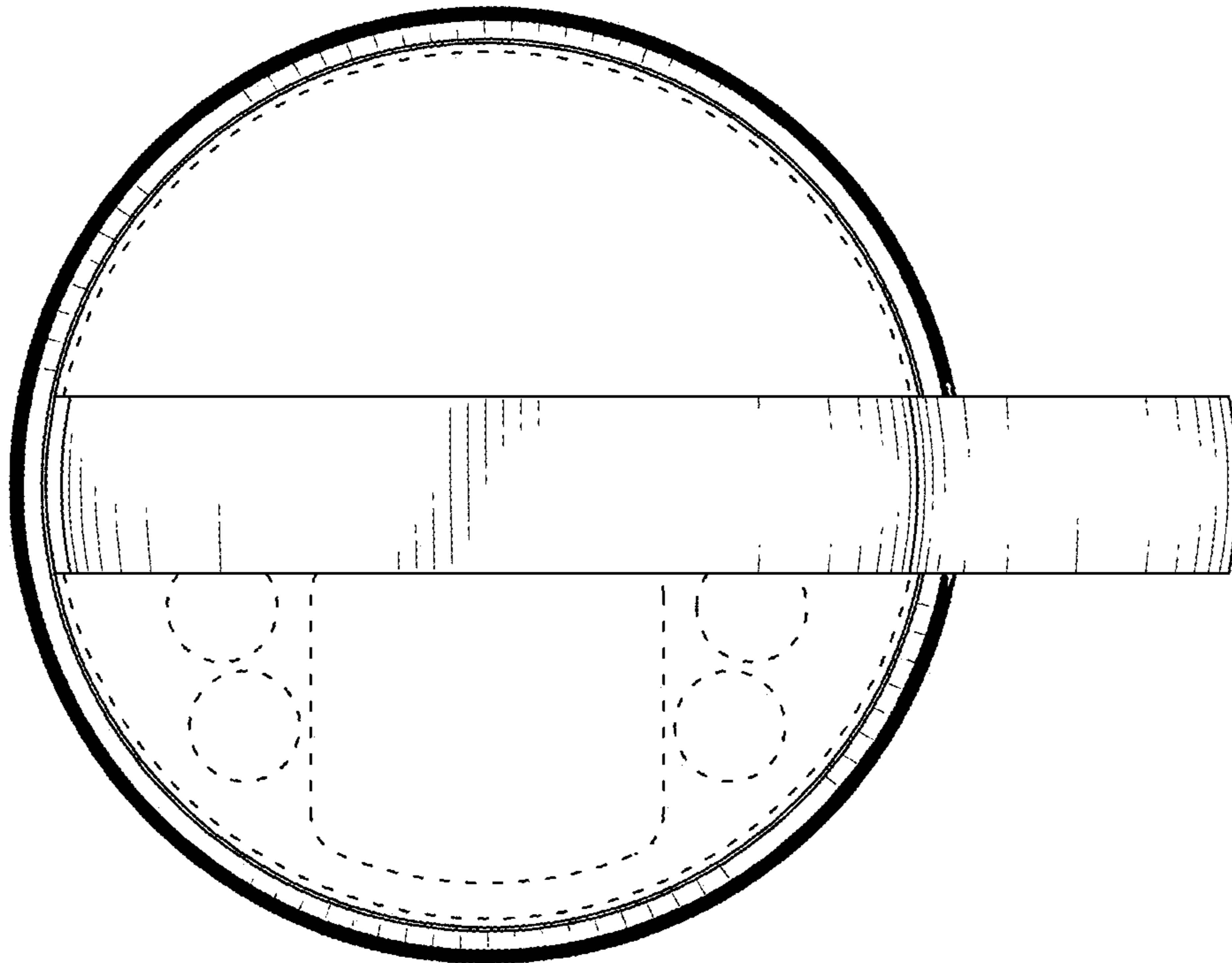


FIG. 5

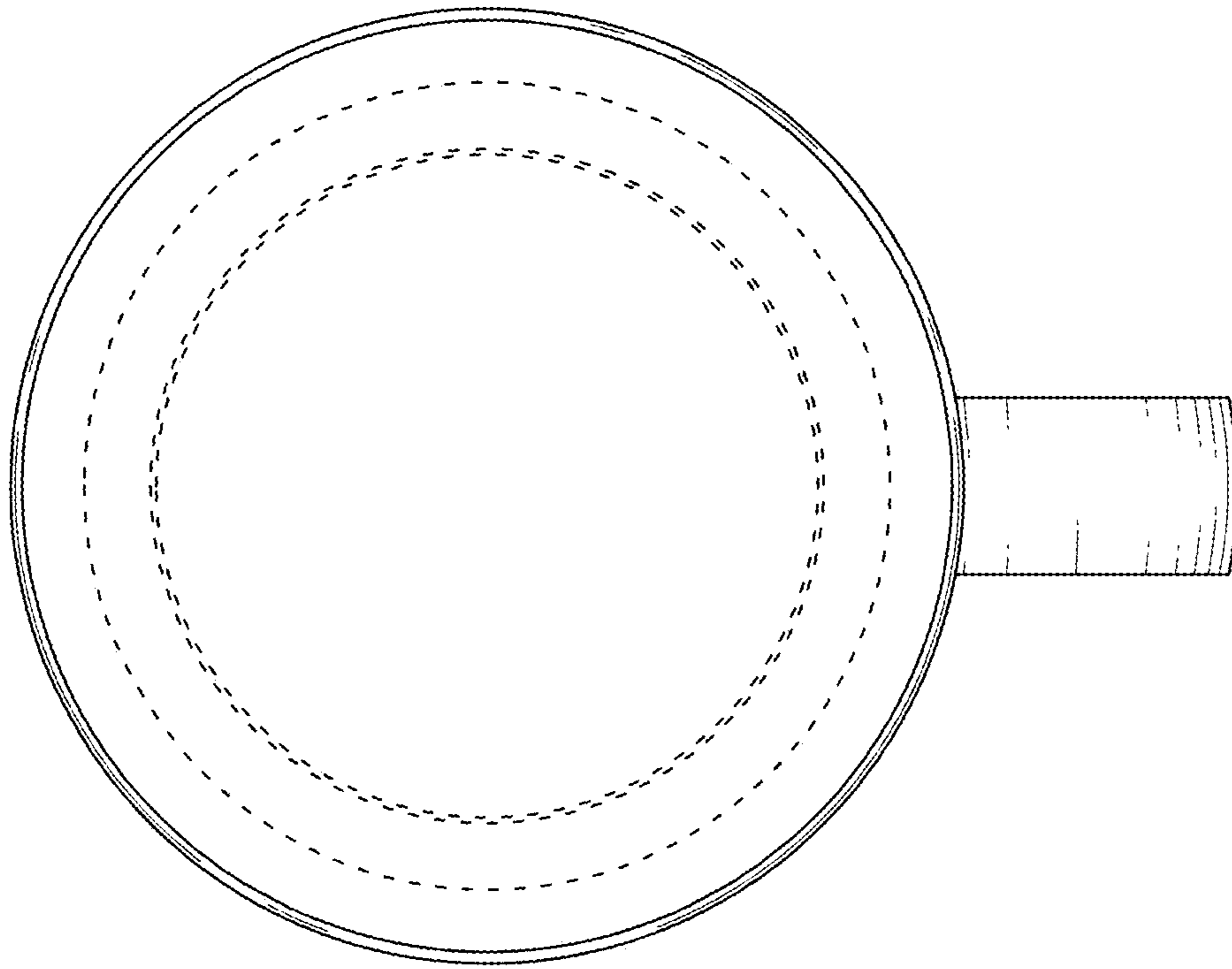


FIG. 6

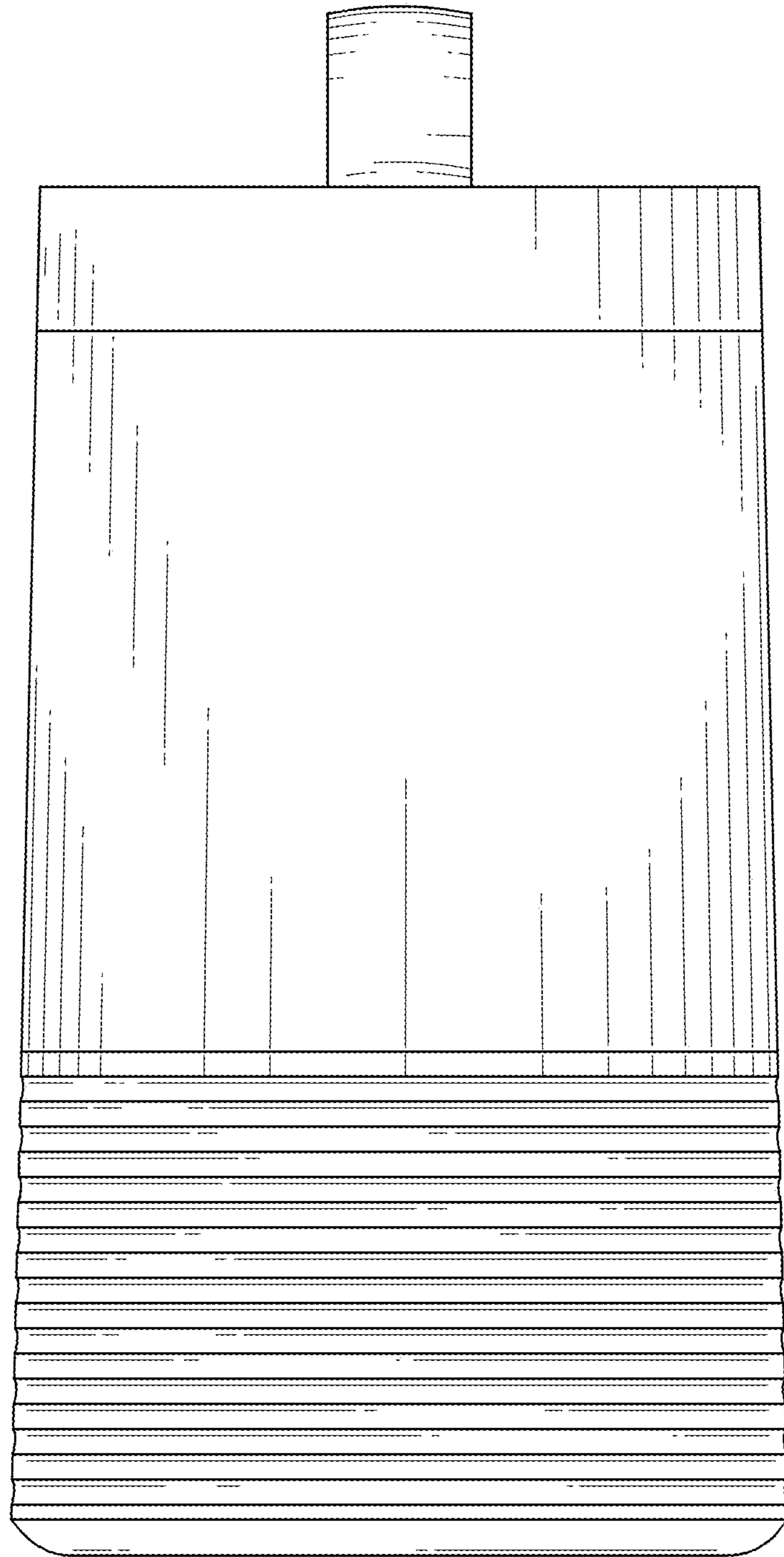


FIG. 7

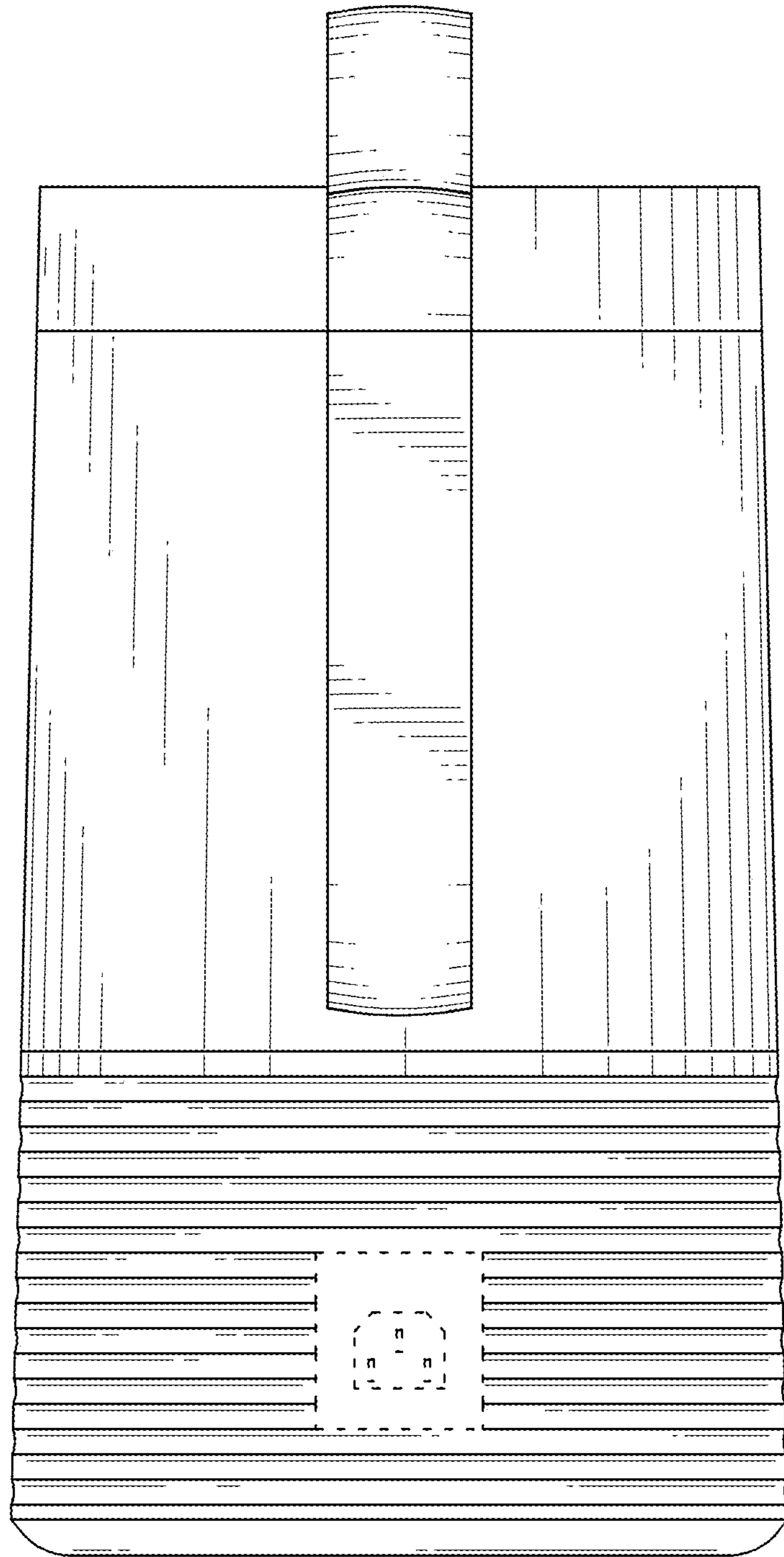


FIG. 8