



US00D974099S

(12) **United States Design Patent**
Wang

(10) **Patent No.:** **US D974,099 S**
(45) **Date of Patent:** **** Jan. 3, 2023**

- (54) **ELECTRIC OVEN**
- (71) Applicant: **MOLMA INC.**, Baoding (CN)
- (72) Inventor: **Xinglei Wang**, Baoding (CN)
- (73) Assignee: **MOLMA INC.**, Baoding (CN)
- (**) Term: **15 Years**
- (21) Appl. No.: **29/814,900**
- (22) Filed: **Nov. 10, 2021**
- (51) **LOC (14) Cl.** **07-02**
- (52) **U.S. Cl.**
USPC **D7/350.1**
- (58) **Field of Classification Search**
USPC D7/323, 332-339, 347-351, 387,
D7/402-405; D21/523-525
CPC A47J 37/00; A47J 37/06; A47J 37/0623;
A47J 37/0629; A47J 37/0635; A47J
37/0641; A47J 37/0647; A47J 37/0652;
A47J 37/0658; A47J 37/067; A47J 37/07;
A47J 37/0704; A47J 37/0709; A47J
37/0713; A47J 37/0763; A47J 37/0871
See application file for complete search history.

D939,263 S * 12/2021 Kang D7/348
D941,075 S * 1/2022 Lavins D7/328
D948,274 S * 4/2022 Finnance D7/350.1
(Continued)

OTHER PUBLICATIONS

Thramono Air Fryer Toaster Oven, first available Feb. 9, 2022, Amazon, [online], [site visited Sep. 29, 2022], Available from internet URL: <https://www.amazon.com/Convection-Countertop-Rotisserie-Dehydration-Accessories/dp/B09S3PHH9W> (Year: 2022).*

Primary Examiner — Mary Ann Calabrese
Assistant Examiner — Natalya M Rapundalo
(74) *Attorney, Agent, or Firm* — Nitin Kaushik

(57) **CLAIM**

The ornamental design for an electric oven, as shown and described.

DESCRIPTION

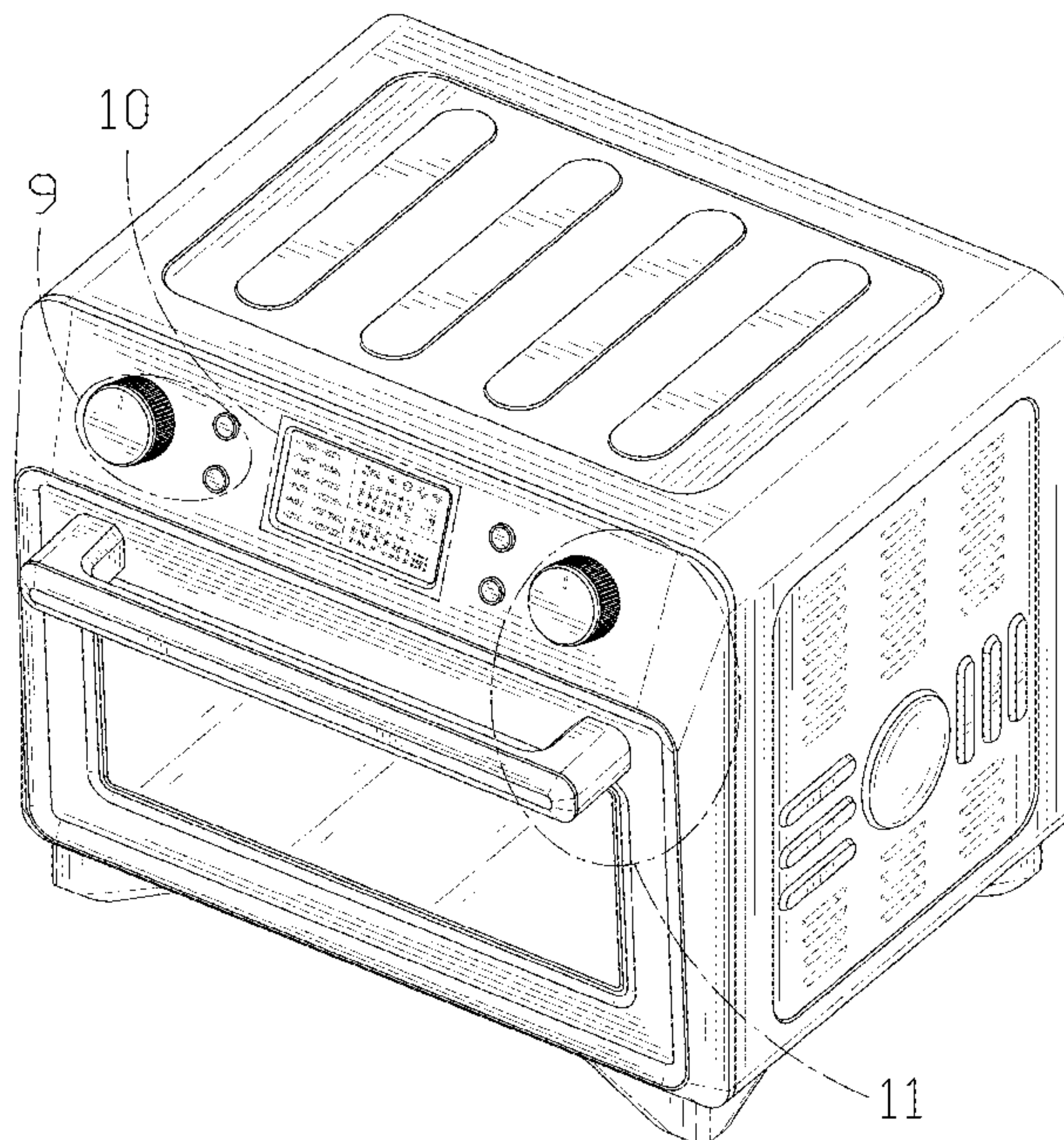
FIG. 1 is a top, front perspective view of an electric oven showing my new design;
FIG. 2 is a bottom, rear perspective view thereof;
FIG. 3 is a front elevational view thereof;
FIG. 4 is a rear elevational view thereof;
FIG. 5 is a left side elevational view thereof;
FIG. 6 is a right side elevational view thereof;
FIG. 7 is a top plan view thereof;
FIG. 8 is a bottom plan view thereof;
FIG. 9 is an enlarged view of portion 9 shown in FIG. 1;
FIG. 10 is an enlarged view of portion 10 shown in FIG. 1;
FIG. 11 is an enlarged view of portion 11 shown in FIG. 1;
FIG. 12 is an enlarged view of portion 12 shown in FIG. 2;
and,
FIG. 13 is an enlarged view of portion 13 shown in FIG. 2.
The dash-dash broken lines in the drawings depict portions of the electric oven that form no part of the claimed design.

(56) **References Cited**

U.S. PATENT DOCUMENTS

D821,798 S	7/2018	Jeon et al.	
D821,813 S	7/2018	Kim et al.	
D896,019 S *	9/2020	Musanta	D7/354
D909,806 S *	2/2021	Hu	D7/350.1
D913,028 S *	3/2021	Wong	D7/350.4
D924,615 S *	7/2021	Murad	D7/350.1
D927,240 S *	8/2021	Kang	D7/348
D931,674 S *	9/2021	Bock	F24C 15/164
			D7/350.1
D931,675 S *	9/2021	Bock	D7/350.1

1 Claim, 13 Drawing Sheets



(56)

References Cited

U.S. PATENT DOCUMENTS

D961,322 S * 8/2022 Li D7/350.3
2020/0093329 A1 * 3/2020 Glucksman F24C 15/164

* cited by examiner

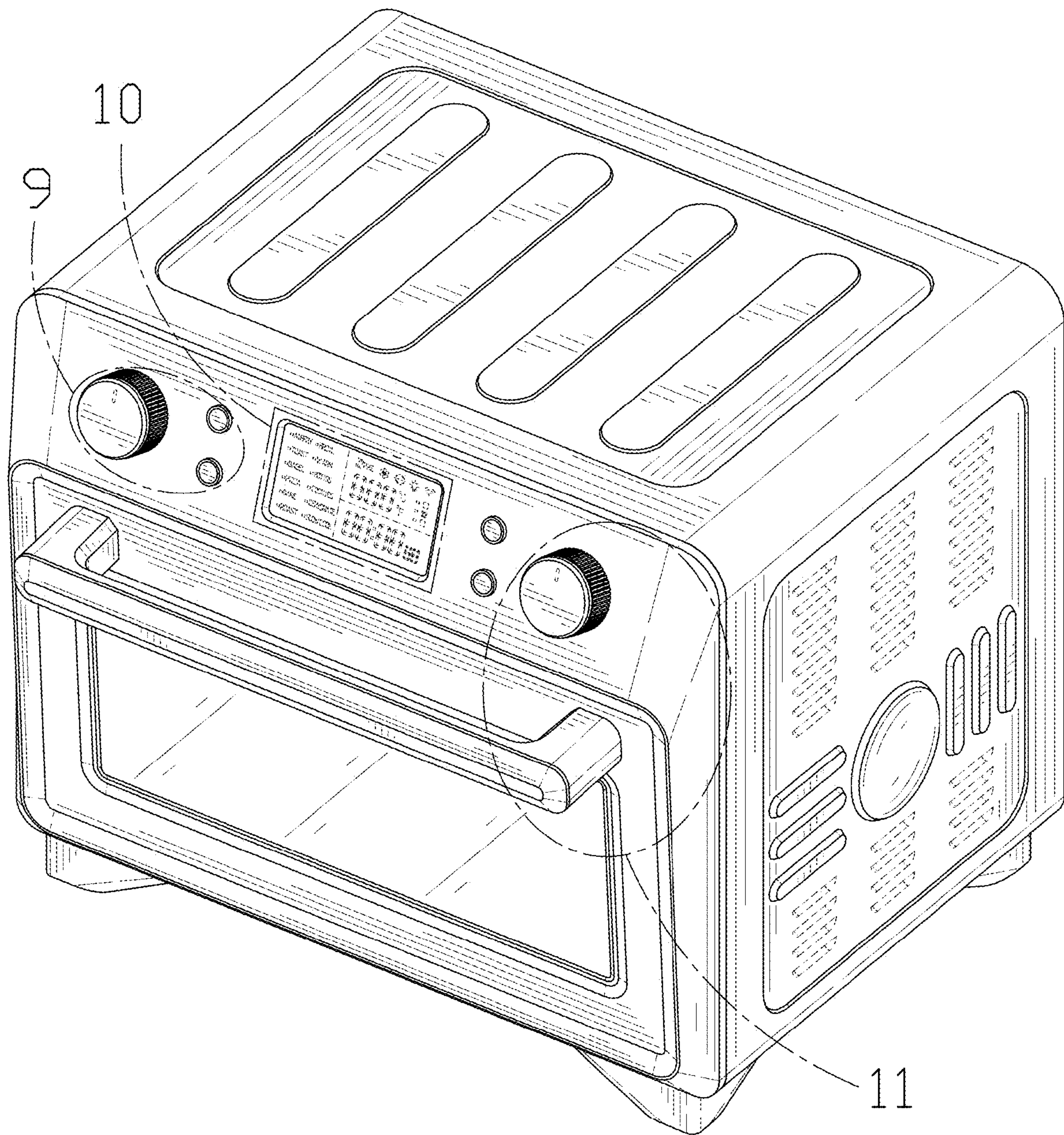


FIG. 1

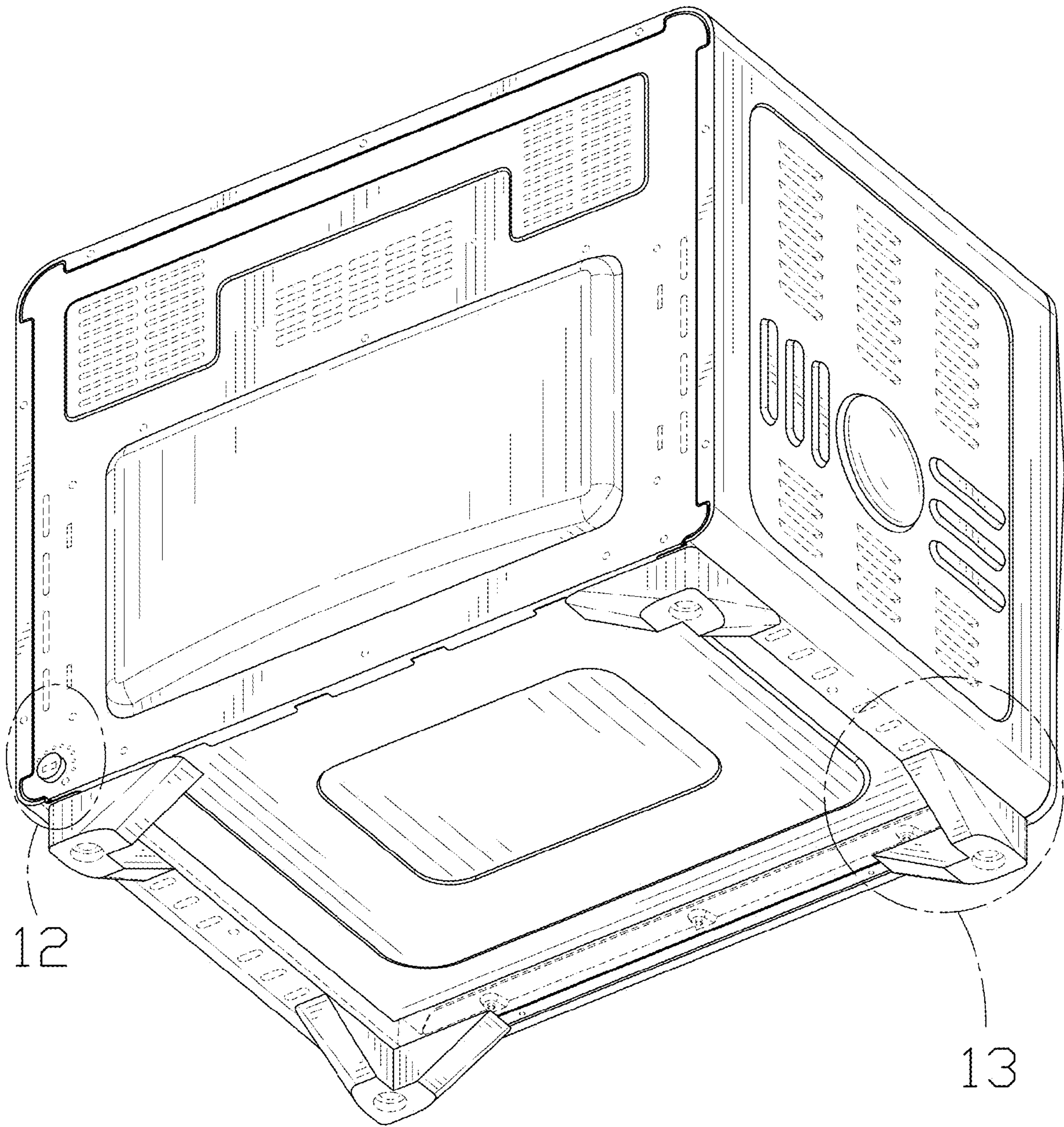


FIG. 2

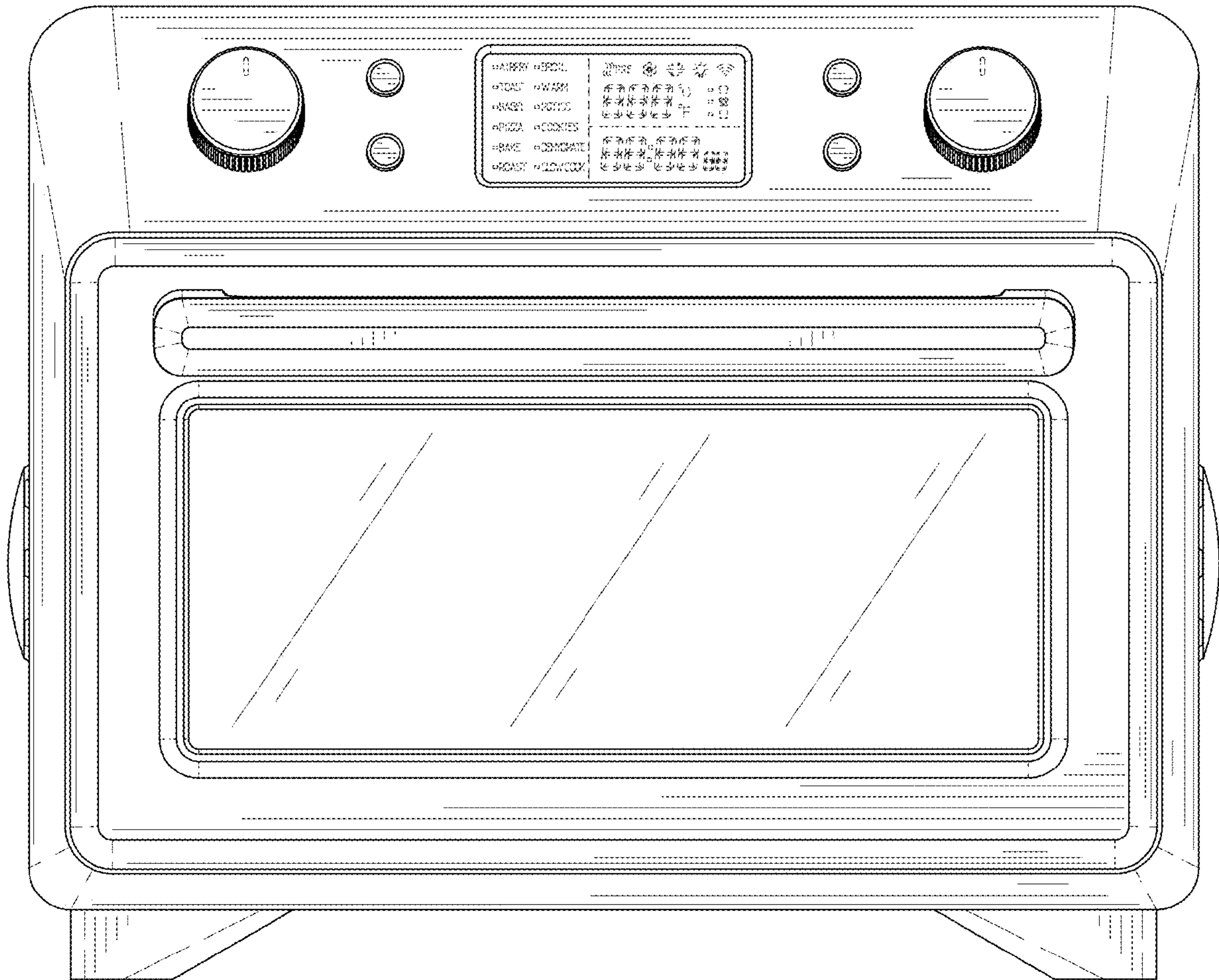


FIG. 3

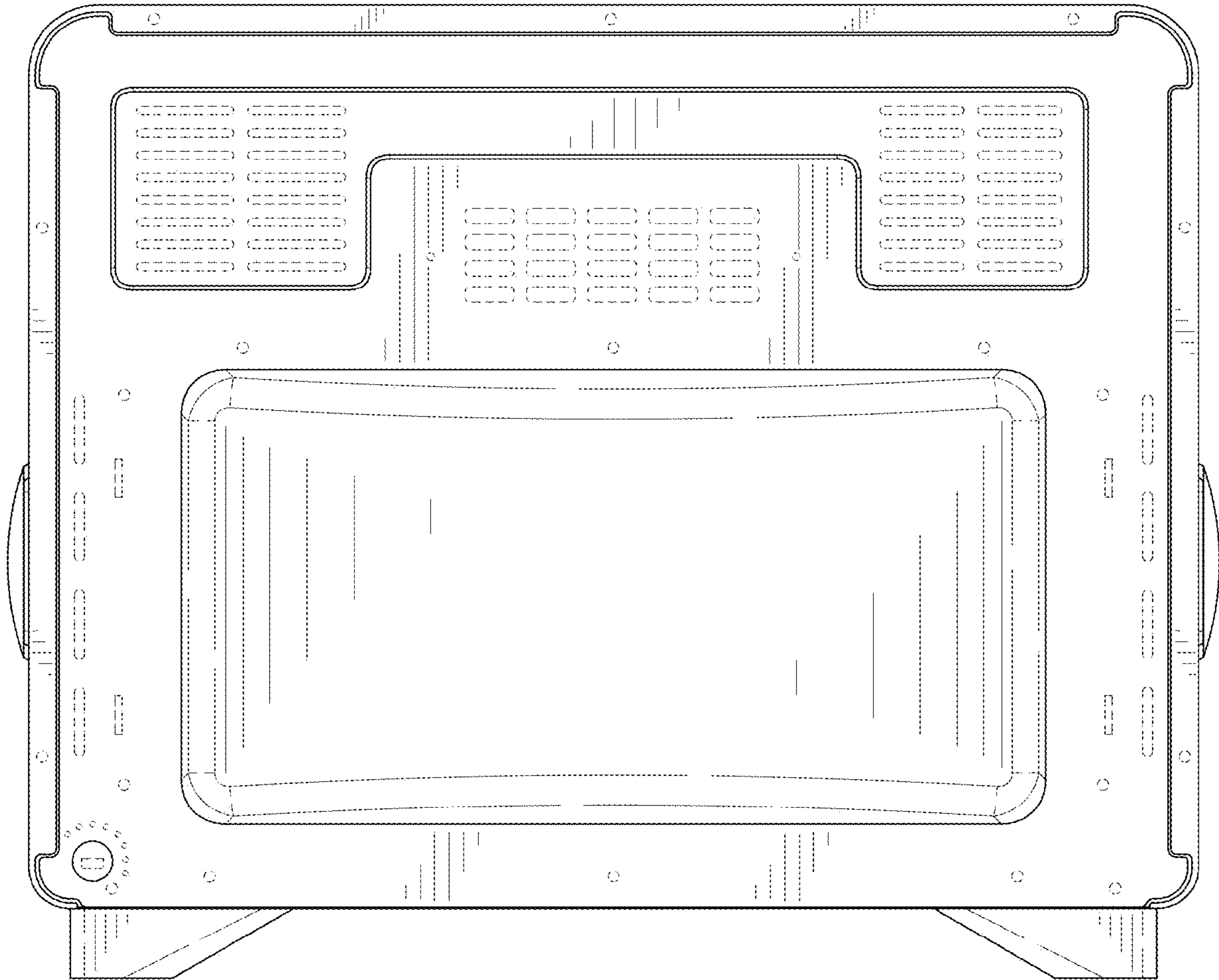


FIG. 4

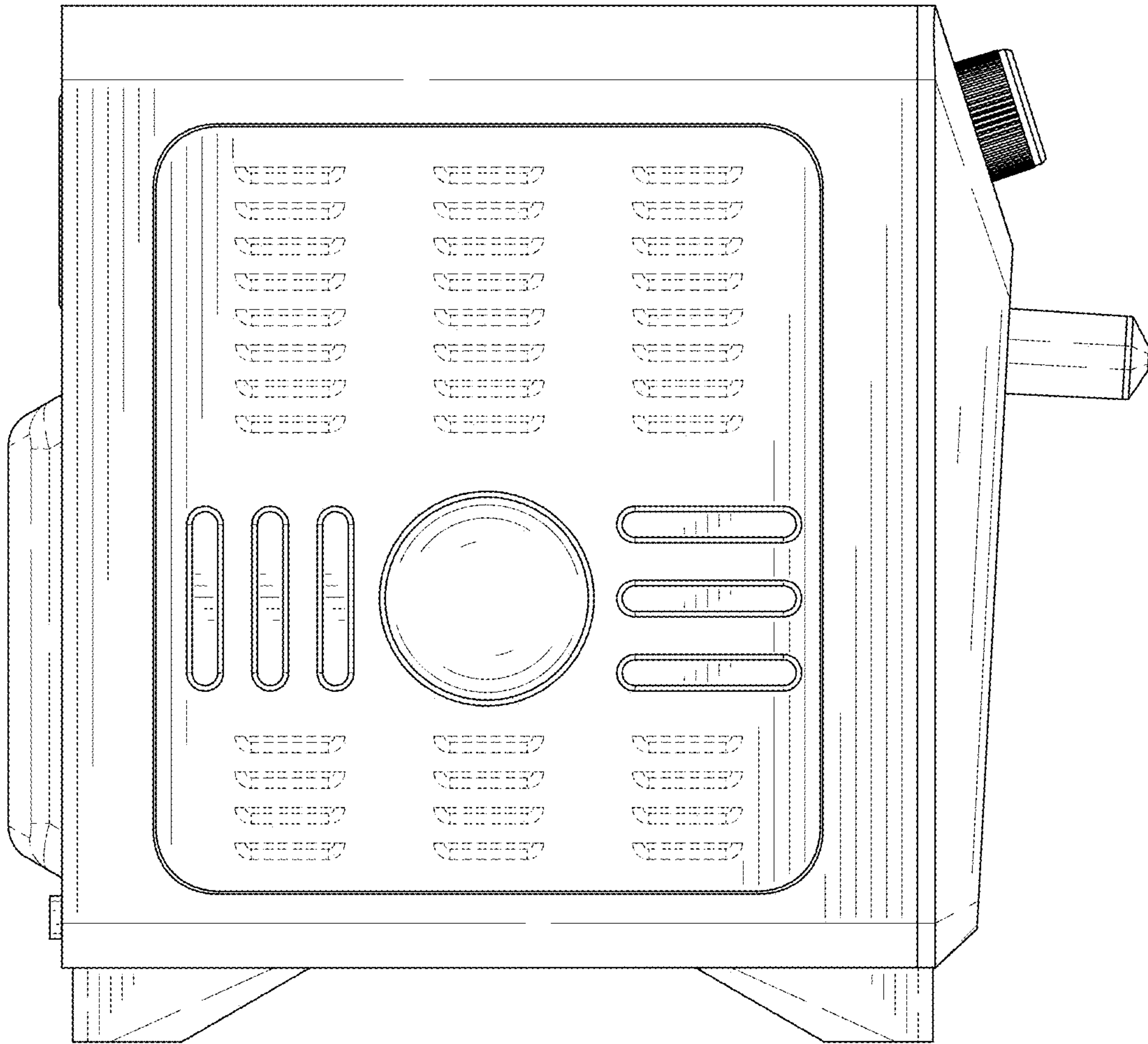


FIG. 5

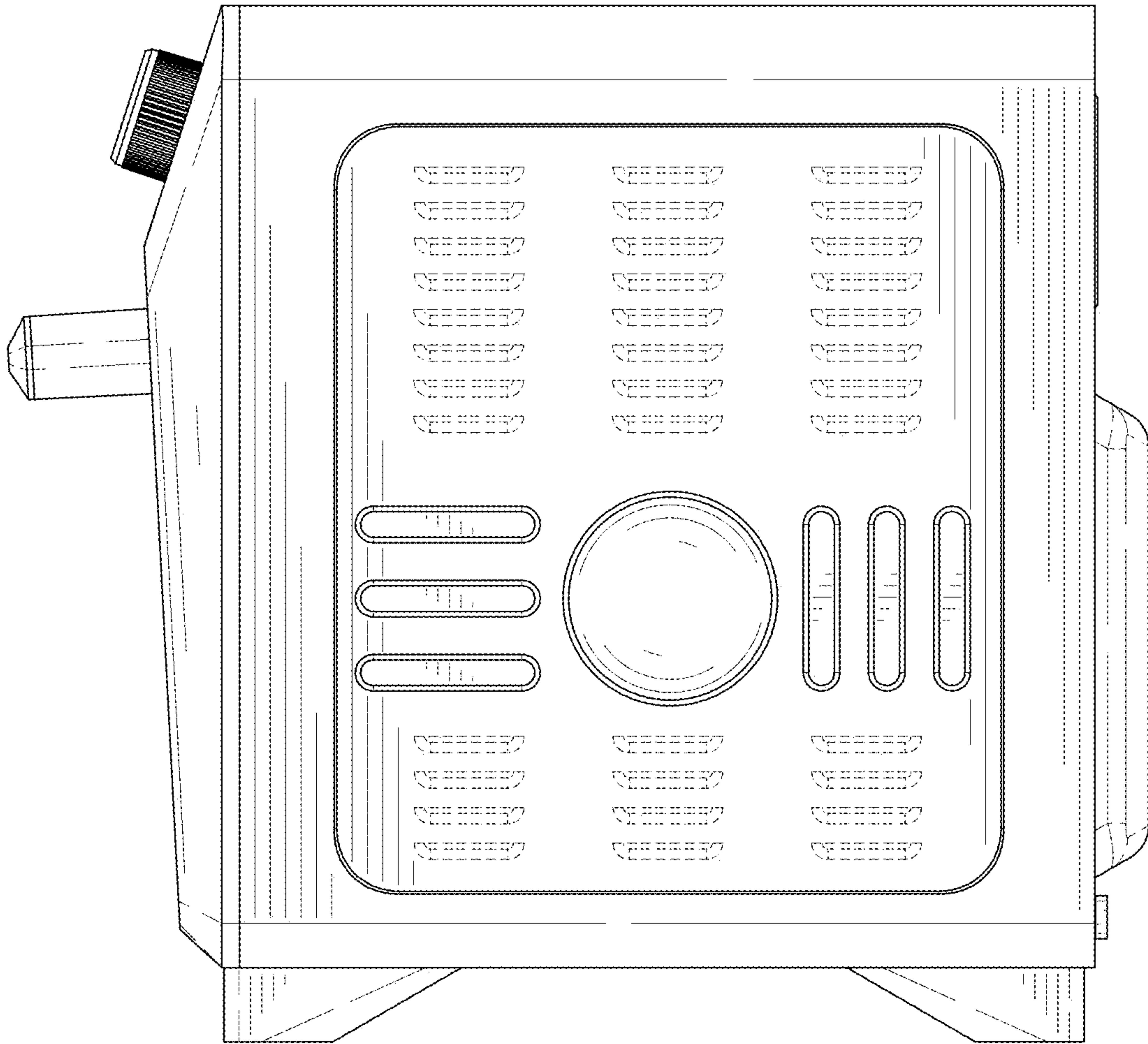


FIG. 6

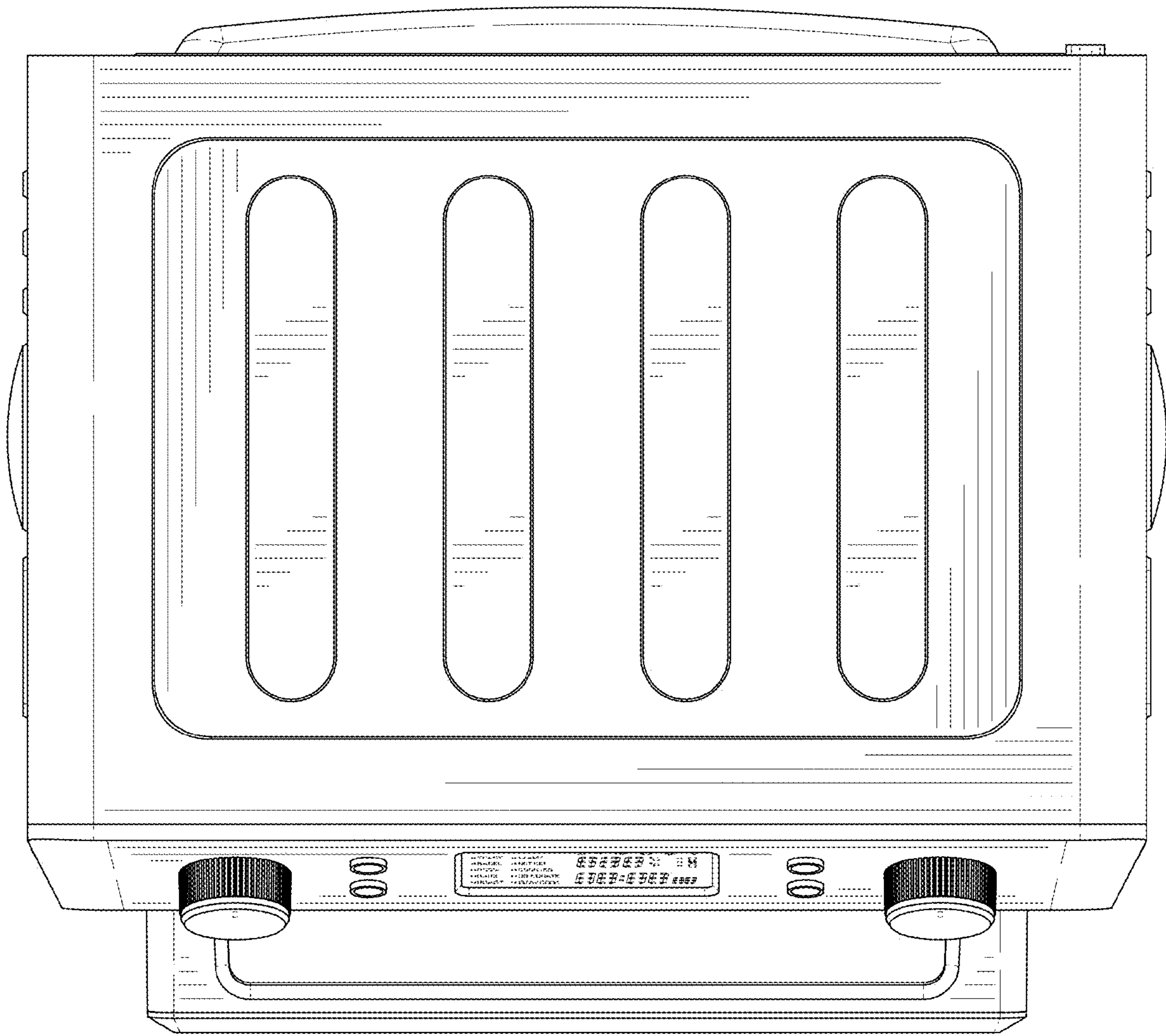


FIG. 7

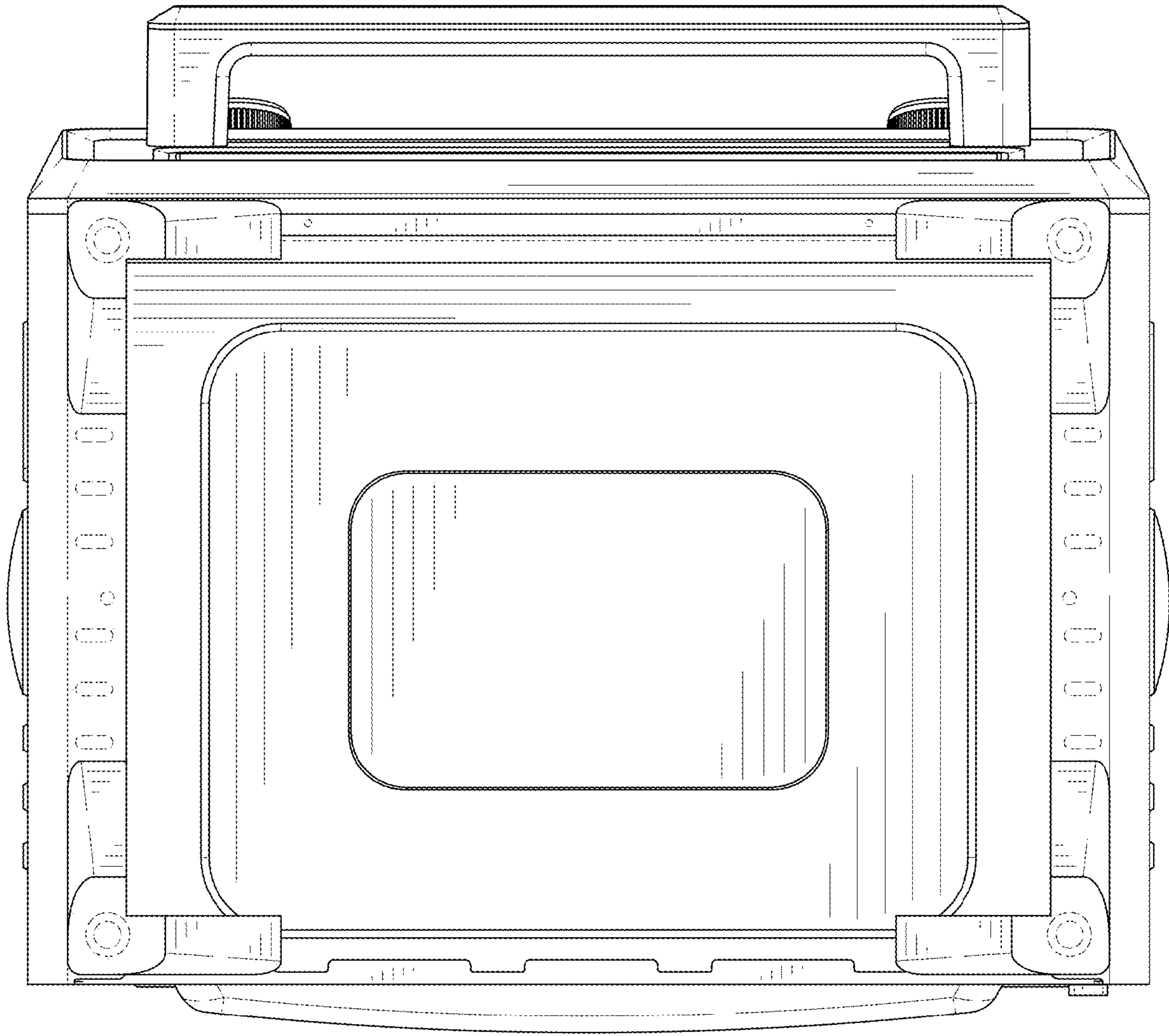


FIG. 8

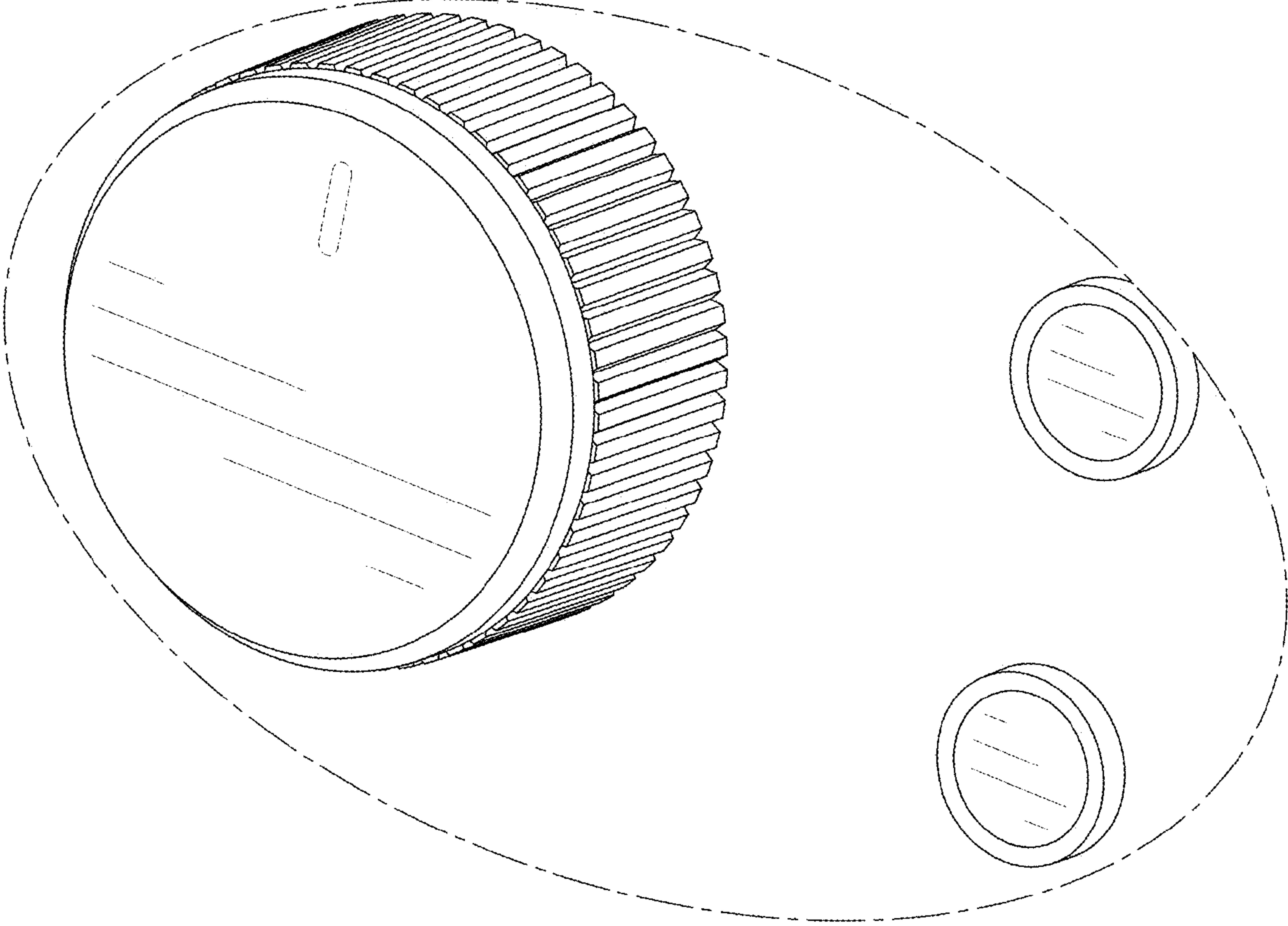


FIG. 9

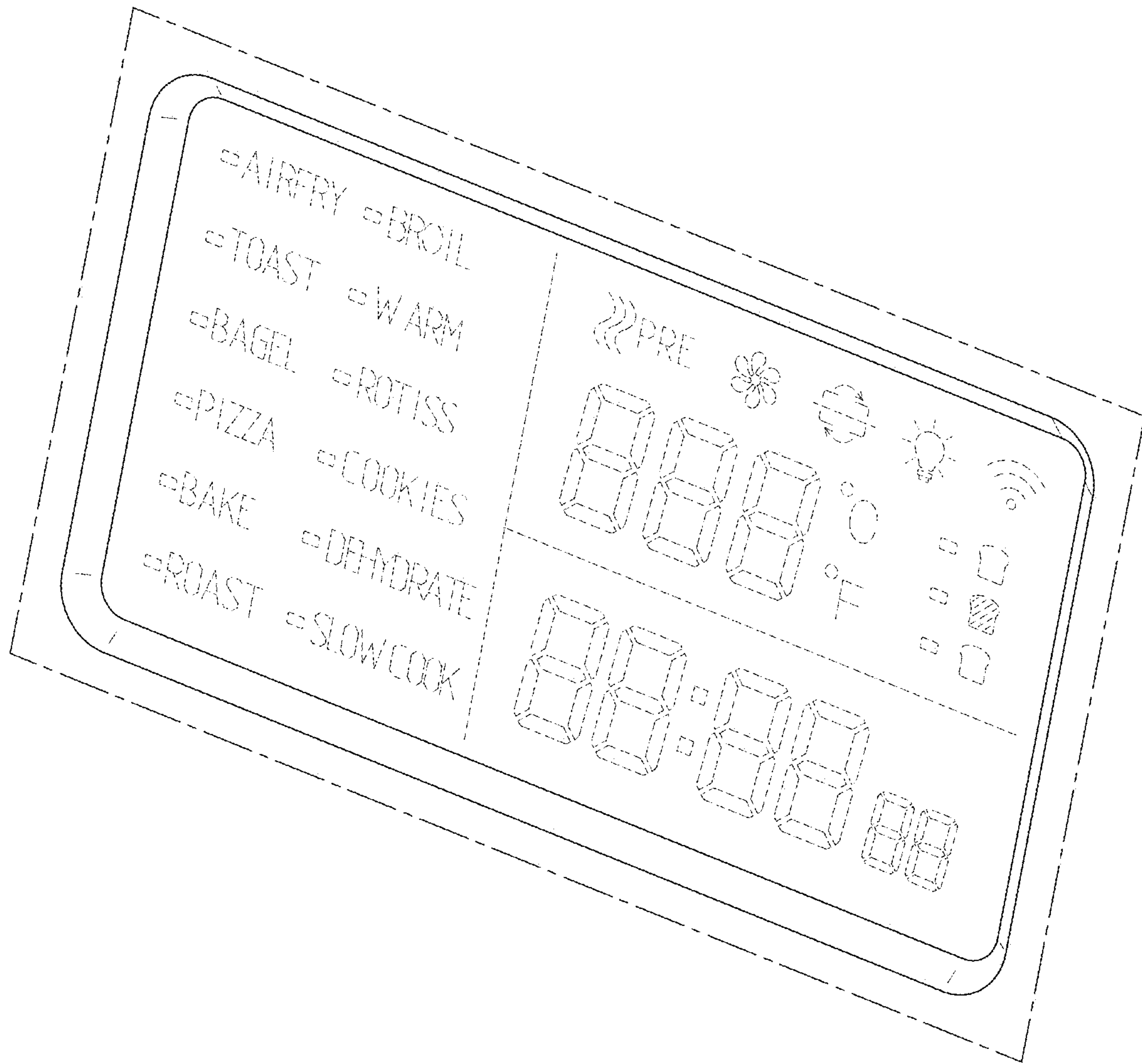


FIG. 10

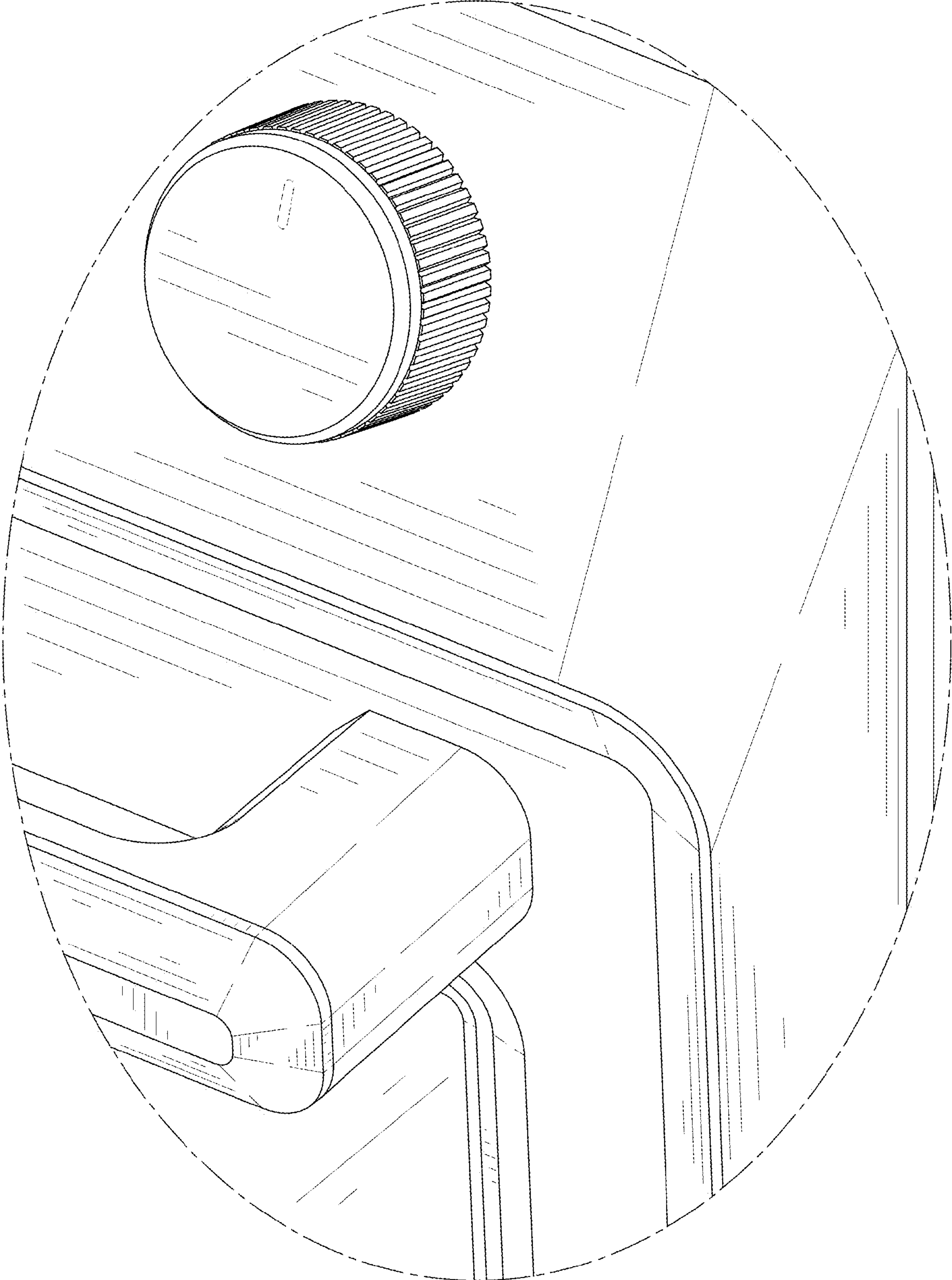


FIG. 11

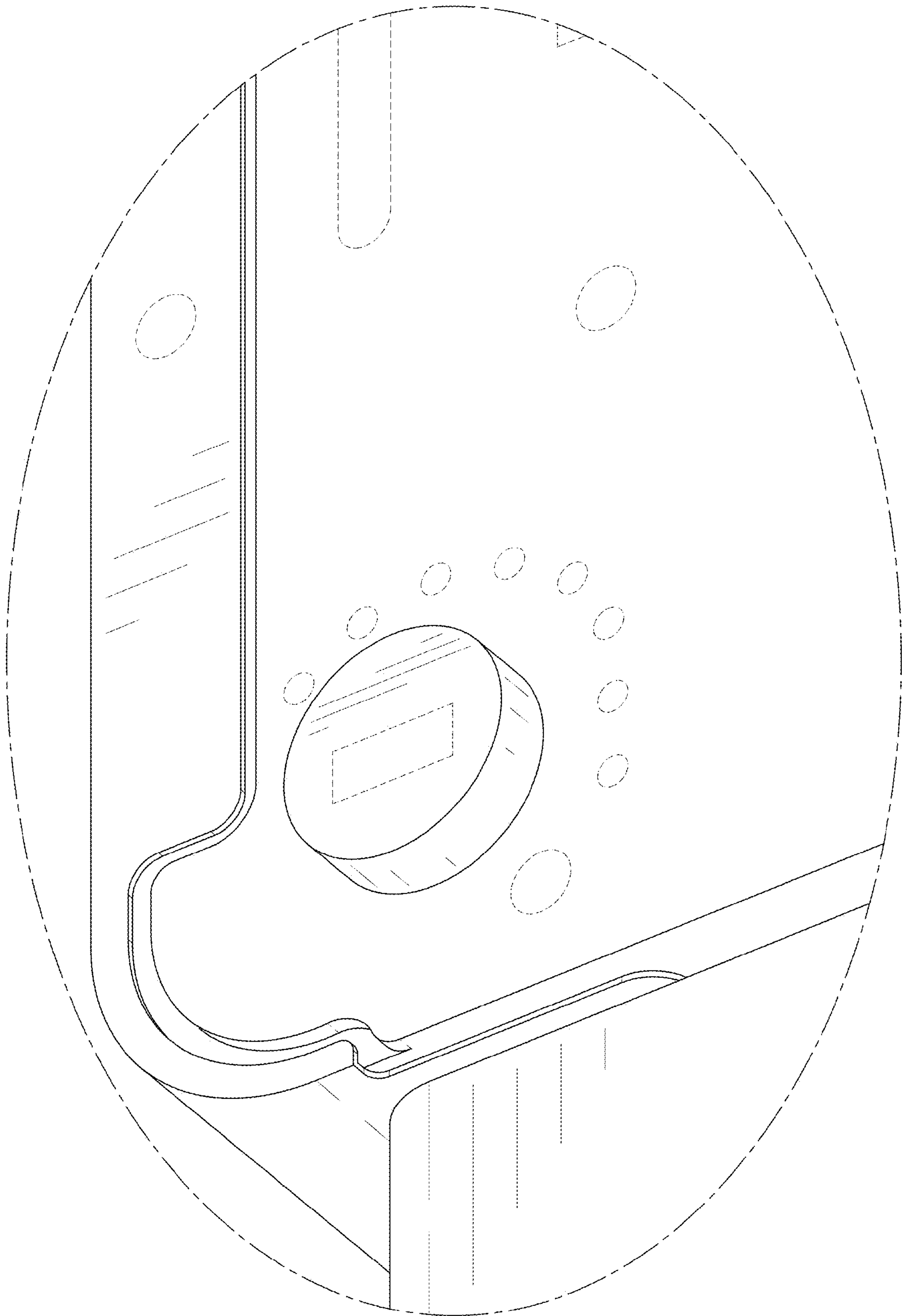


FIG. 12

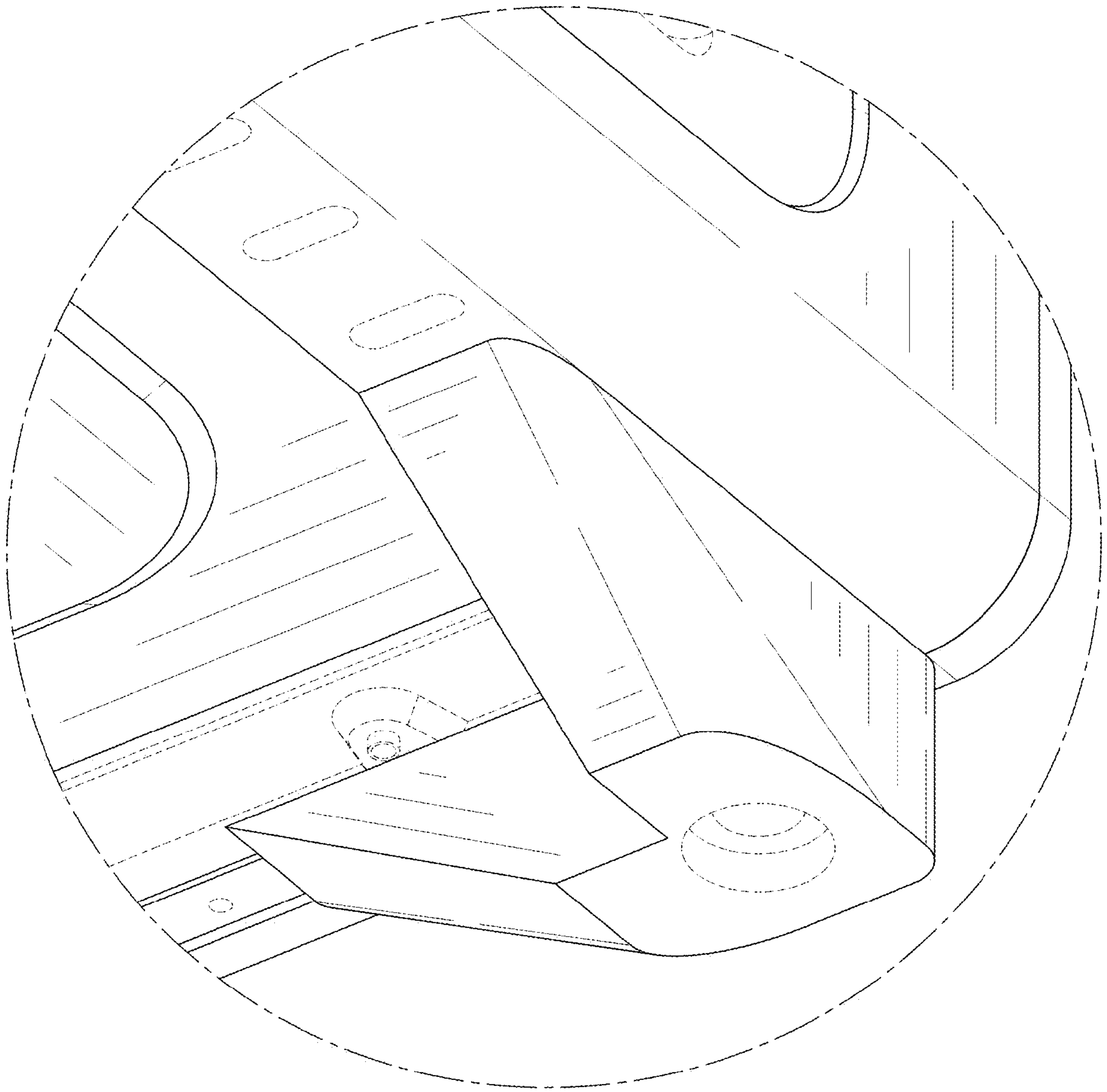


FIG. 13