



US00D974098S

(12) **United States Design Patent**
Tada

(10) **Patent No.:** **US D974,098 S**
(45) **Date of Patent:** **** Jan. 3, 2023**

(54) **PORTABLE GAS STOVE**

DESCRIPTION

(71) Applicant: **Iwatani Corporation**, Osaka (JP)

(72) Inventor: **Tsuyoshi Tada**, Tokyo (JP)

(**) Term: **15 Years**

(21) Appl. No.: **35/512,017**

(22) Filed: **Dec. 17, 2020**

(80) **Hague Agreement Data**

Int. Filing Date: **Dec. 17, 2020**

Int. Reg. No.: **DM/211954**

Int. Reg. Date: **Dec. 17, 2020**

Int. Reg. Pub. Date: **Jun. 18, 2021**

(30) **Foreign Application Priority Data**

Jun. 30, 2020 (JP) 2020-013163

Jun. 30, 2020 (JP) 2020-013164

(51) **LOC (14) Cl.** **07-02**

(52) **U.S. Cl.**
USPC **D7/337**

(58) **Field of Classification Search**

USPC D7/300, 300.2, 302, 306, 311, 318, 319,
D7/323, 337, 350.1, 354, 358, 381, 407,
D7/416, 510, 511, 524, 530, 536, 554.2,
D7/562, 598, 605, 608, 622, 609, 650,
D7/709

(Continued)

(56) **References Cited**

U.S. PATENT DOCUMENTS

D120,152 S * 4/1940 Tullis D7/337

D133,053 S * 7/1942 Robinson D7/337

(Continued)

Primary Examiner — Karen S Acker

(57) **CLAIM**

The ornamental design for a portable gas stove, as shown and described.

2. Portable gas stove

2.1 is a front and top perspective view of a portable gas stove with box closed and gas stove folded out

2.2 is a rear and bottom perspective view thereof

2.3 is a front view thereof

2.4 is a back view thereof

2.5 is a top view thereof

2.6 is a bottom view thereof

2.7 is a right view thereof

2.8 is a left view thereof

2.9 is a top and front perspective view of the portable gas stove of figure 2.1 with box opened and gas stove folded within

2.10 is a perspective view thereof from the bottom

2.11 is a front view thereof

2.12 is a back view thereof

2.13 is a top view thereof

2.14 is a bottom view thereof

2.15 is a right view thereof

2.16 is a left view thereof

2.17 is a perspective view of the portable gas stove of figure 2.1 with gas stove folded within the closed box

2.18 is a perspective view thereof from below

2.19 is a front view thereof

2.20 is a back view thereof

2.21 is a top view thereof

2.22 is a bottom view thereof

2.23 is a right view thereof

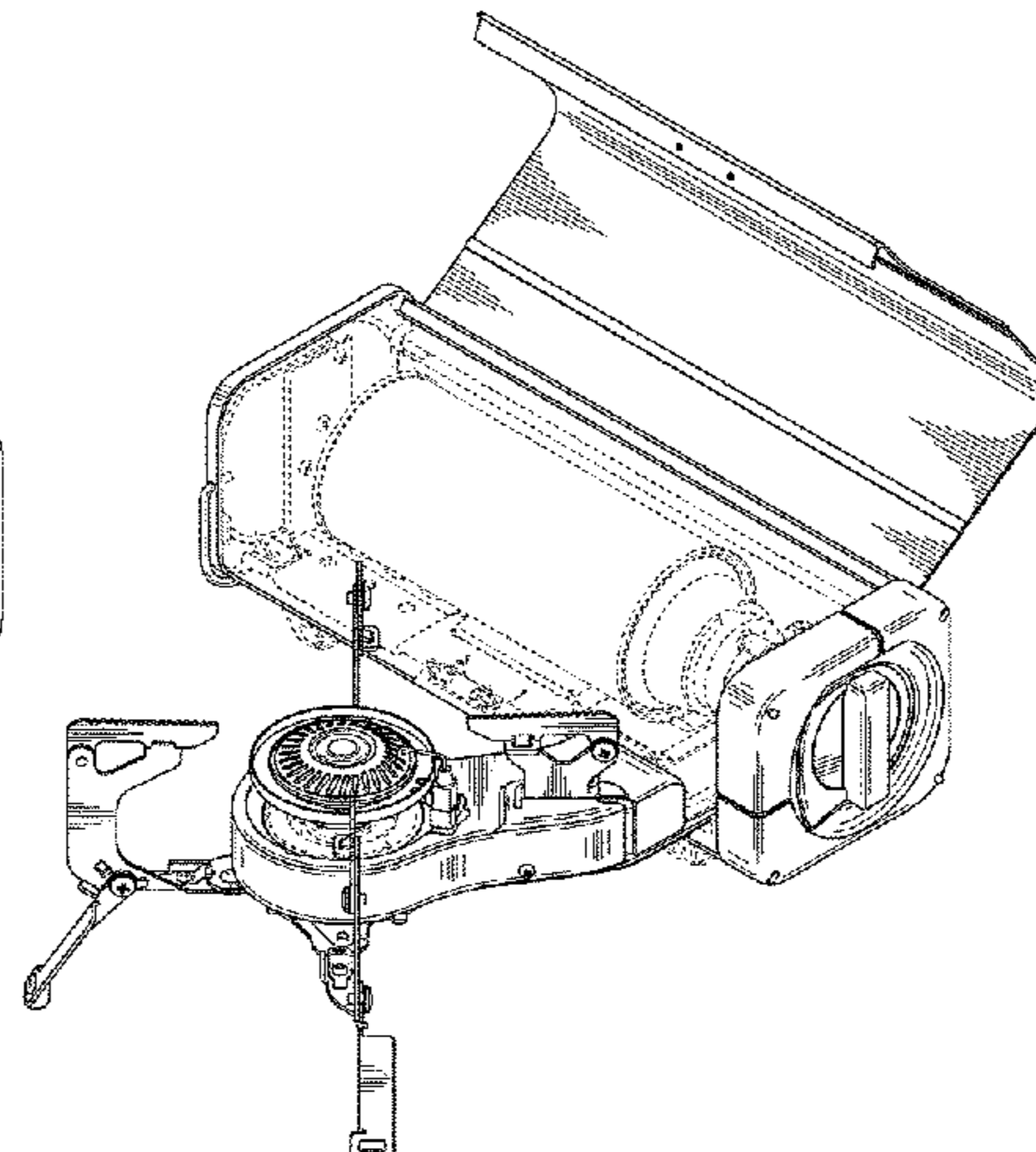
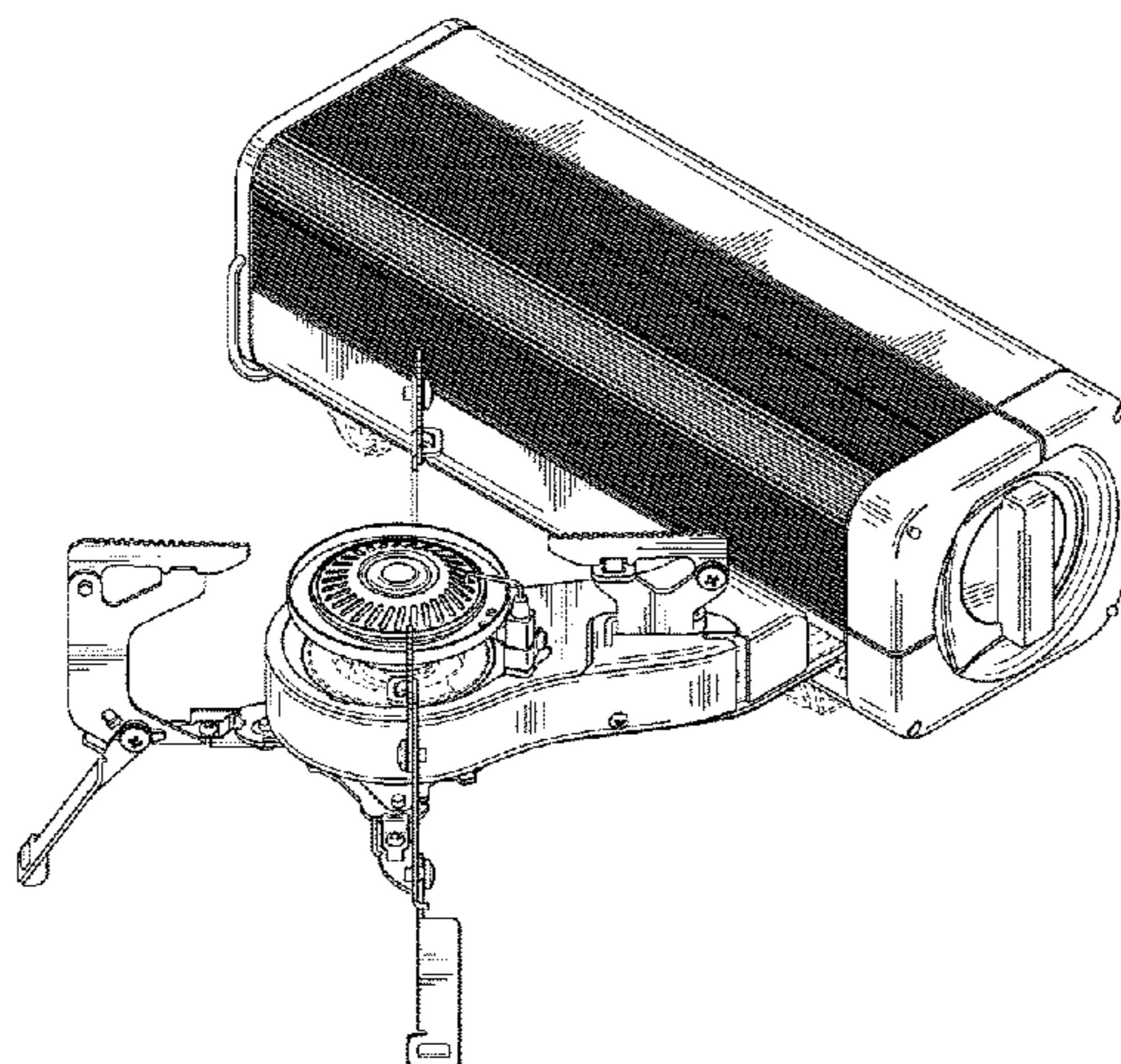
2.24 is a left view thereof

2.25 is an enlarged detail view of the closed box of the portable gas stove of figure 2.1

2.26 is a reference view of the portable gas stove of figure 2.1 in a position of use.

The portable gas stove is used for cooking. The broken lines depict environmental subject matter that forms no part of the claimed design

1 Claim, 26 Drawing Sheets



(58) **Field of Classification Search**
 CPC . A23G 23/00; A23L 5/10; A47G 23/00; A47J
 43/28; B24B 9/12; Y10S 215/05; Y10S
 215/06; A63H 33/3055
 See application file for complete search history.

(56) **References Cited**

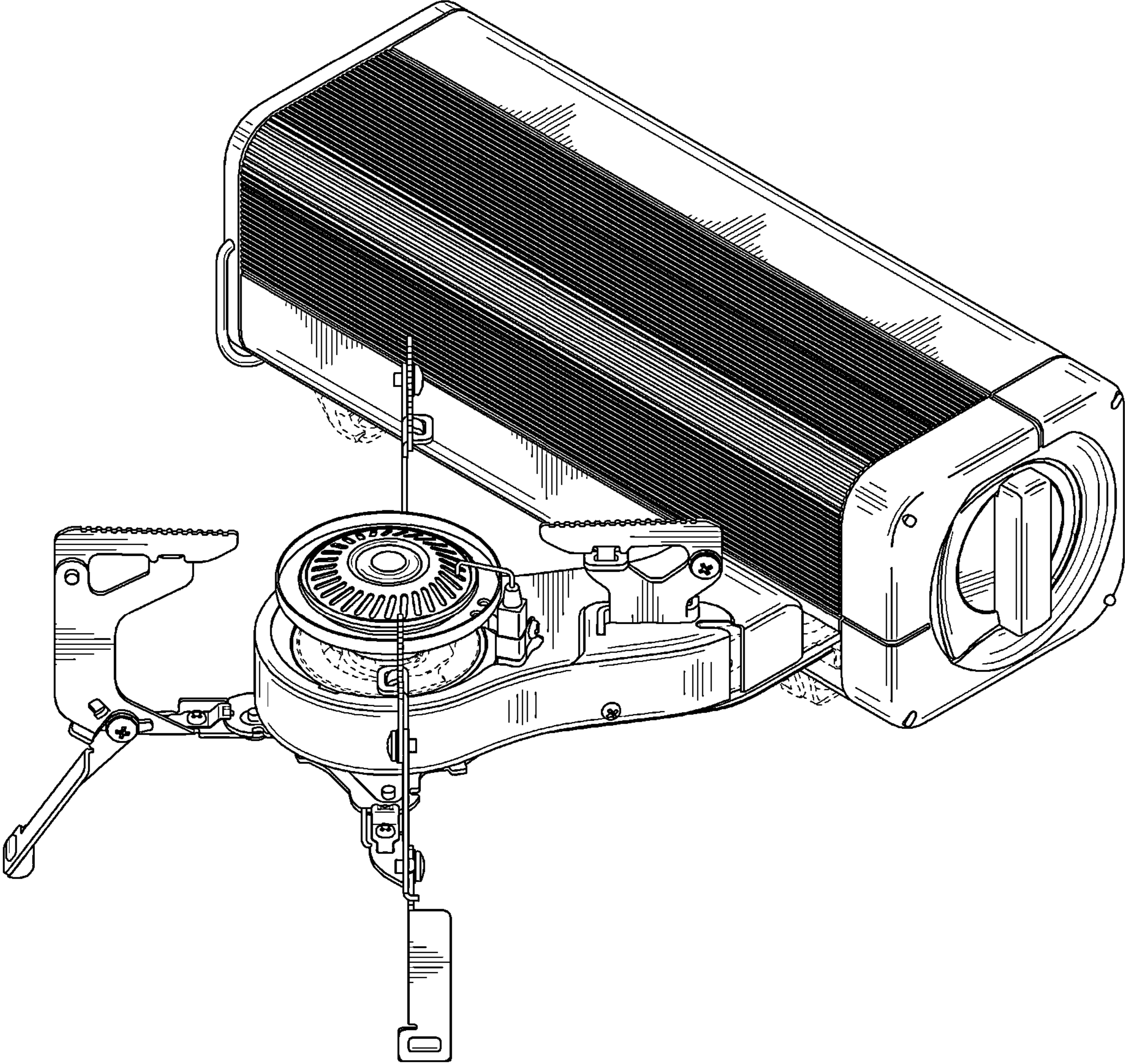
U.S. PATENT DOCUMENTS

3,062,127 A * 11/1962 Lang F24C 1/16
 126/38
 3,117,568 A * 1/1964 Hoenisch F24C 5/20
 126/38
 D201,234 S * 5/1965 Bosse D7/337
 3,330,204 A * 7/1967 Little F24C 3/14
 99/425
 D244,985 S * 7/1977 Folke A47J 37/0641
 D7/337
 D252,971 S * 9/1979 Ito D7/337
 5,165,328 A * 11/1992 Erickson A47J 37/0641
 219/400
 D347,762 S * 6/1994 Bannigan D7/323
 D371,716 S * 7/1996 Jo D7/337
 5,906,196 A * 5/1999 Measom F24C 3/14
 108/106
 D416,750 S * 11/1999 Persson D7/337
 D424,364 S * 5/2000 Persson D7/337
 D444,991 S * 7/2001 Measom D7/337

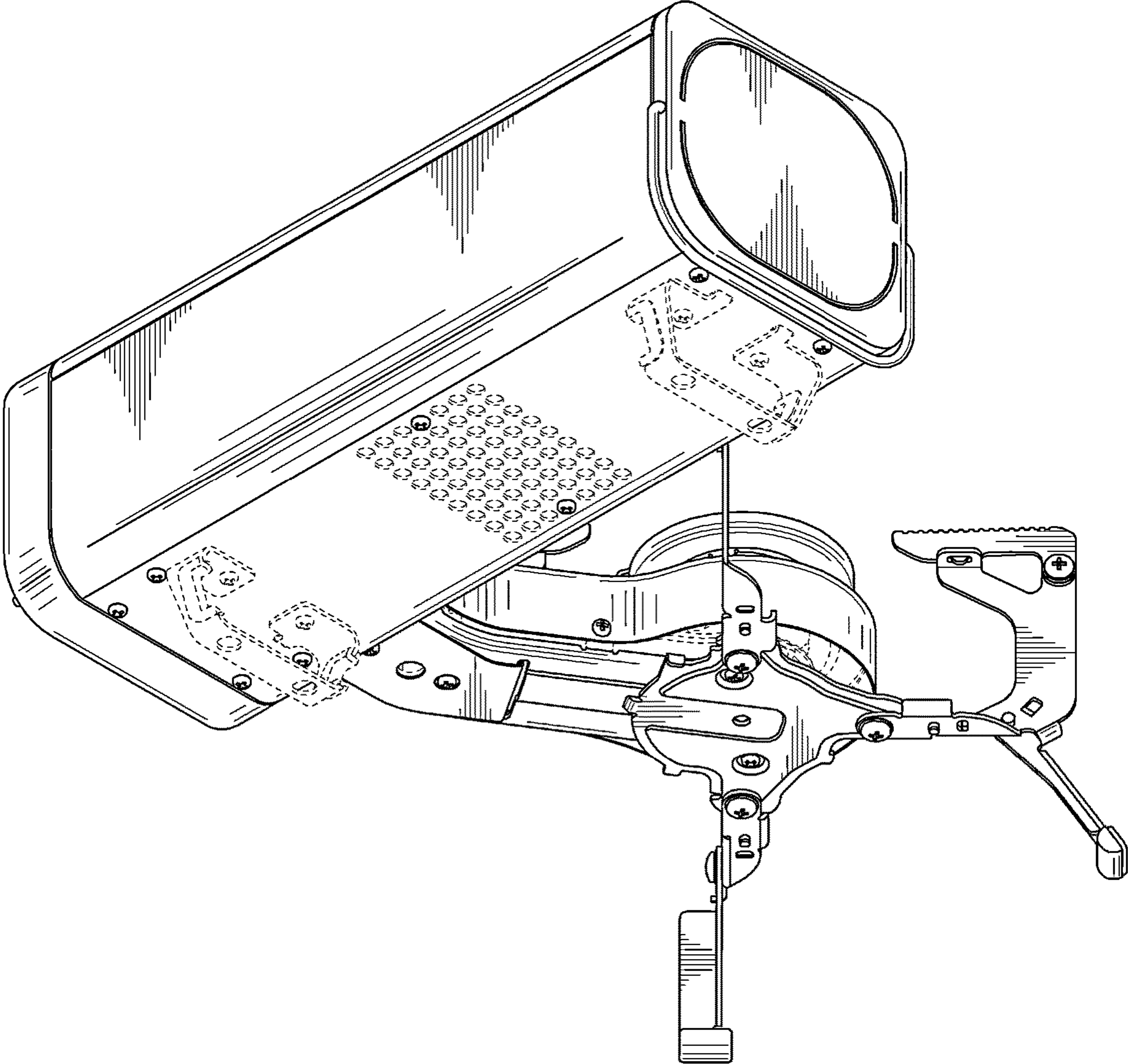
D446,991 S * 8/2001 Taniguchi D7/337
 D544,291 S * 6/2007 Kong D7/337
 D610,390 S * 2/2010 Nishijima D7/332
 D627,591 S * 11/2010 Wade D7/337
 D638,252 S * 5/2011 Tomczyk D7/354
 D677,106 S * 3/2013 Horito D7/337
 D683,999 S * 6/2013 Karlsson D7/337
 D804,888 S * 12/2017 Won D7/332
 D820,025 S * 6/2018 Yang D7/337
 D838,547 S * 1/2019 Koch D7/407
 D911,092 S * 2/2021 Zhang D7/337
 10,973,236 B2 * 4/2021 Bassit A23L 13/70
 D925,261 S * 7/2021 Yang F24C 1/16
 D7/331
 D925,262 S * 7/2021 Yang F24C 3/14
 D7/331
 D925,965 S * 7/2021 Bellini F24C 5/20
 D7/346
 D925,966 S * 7/2021 Bellini D7/346
 D931,675 S * 9/2021 Bock F24C 3/14
 D7/350.1
 D932,823 S * 10/2021 Gauss D7/337
 D940,496 S * 1/2022 Wang A47J 37/0736
 D7/363
 11,262,079 B2 * 3/2022 Gauss F24C 3/126
 2009/0272278 A1 * 11/2009 von Herrmann ... A47J 37/0736
 126/39 J
 2018/0184844 A1 * 7/2018 Hagström F24C 3/14

* cited by examiner

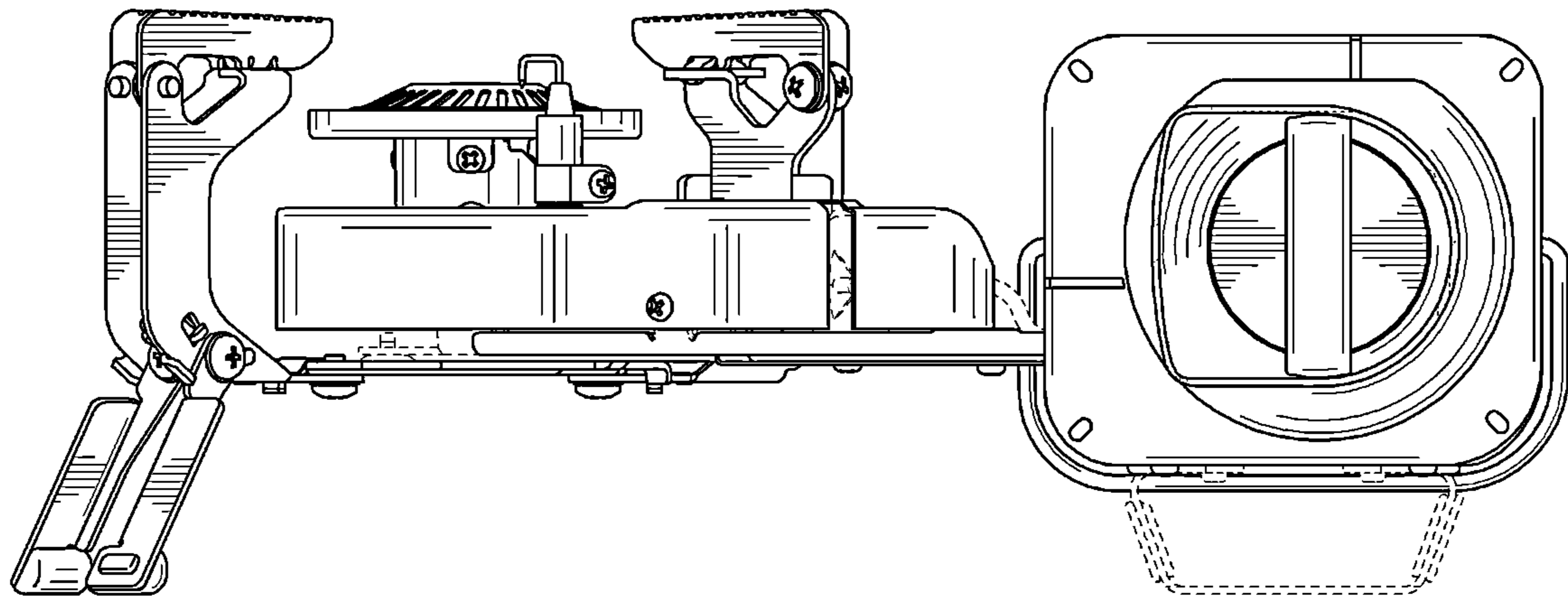
2.1



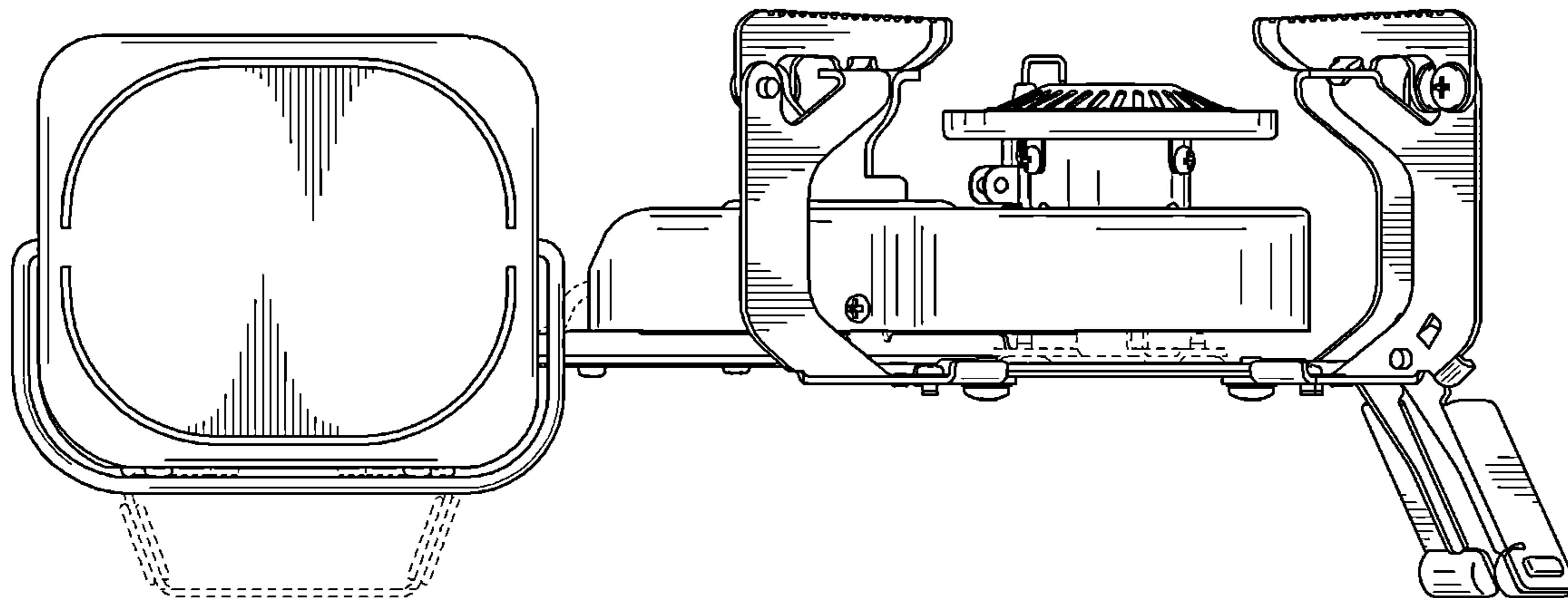
2.2



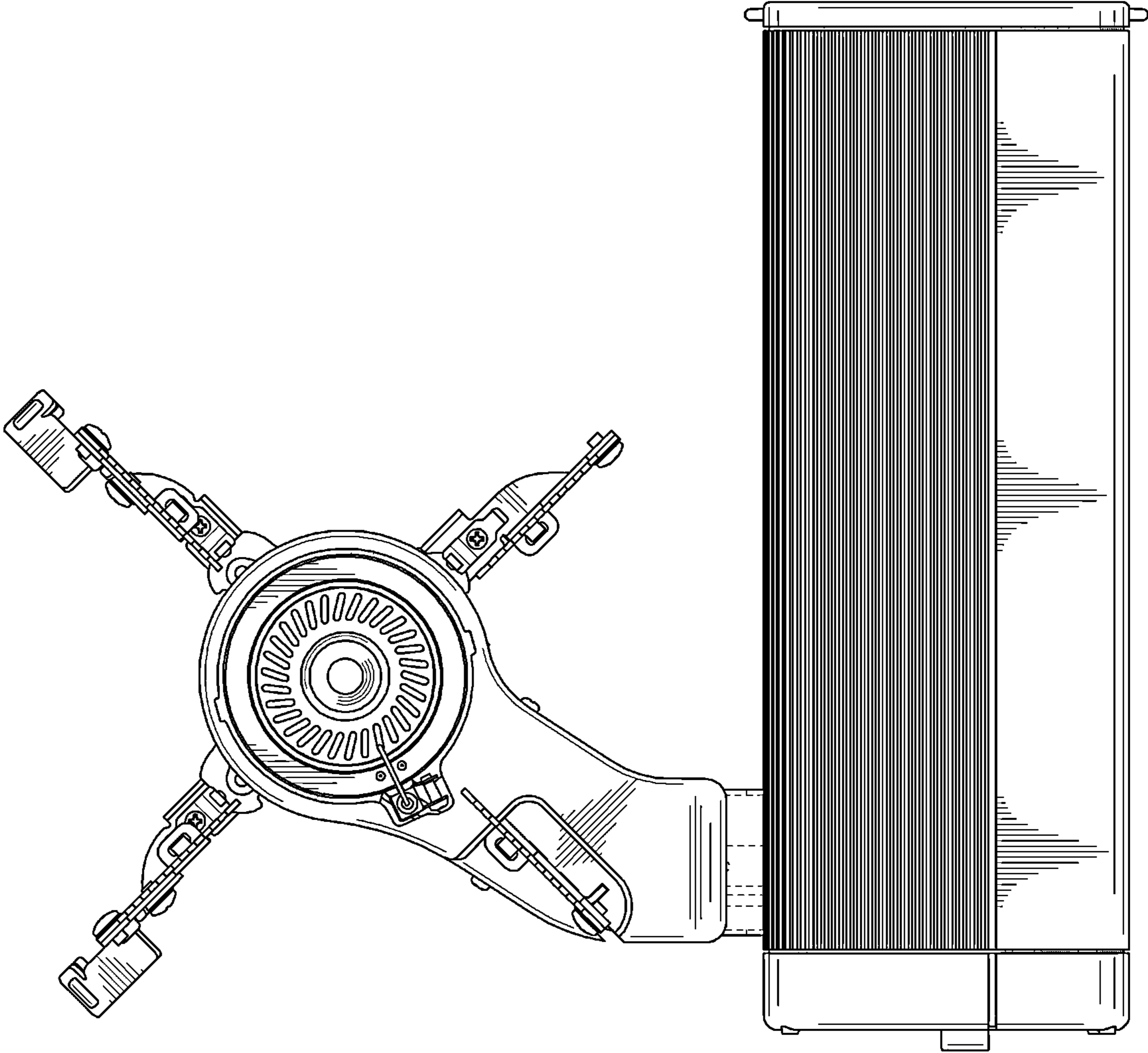
2.3



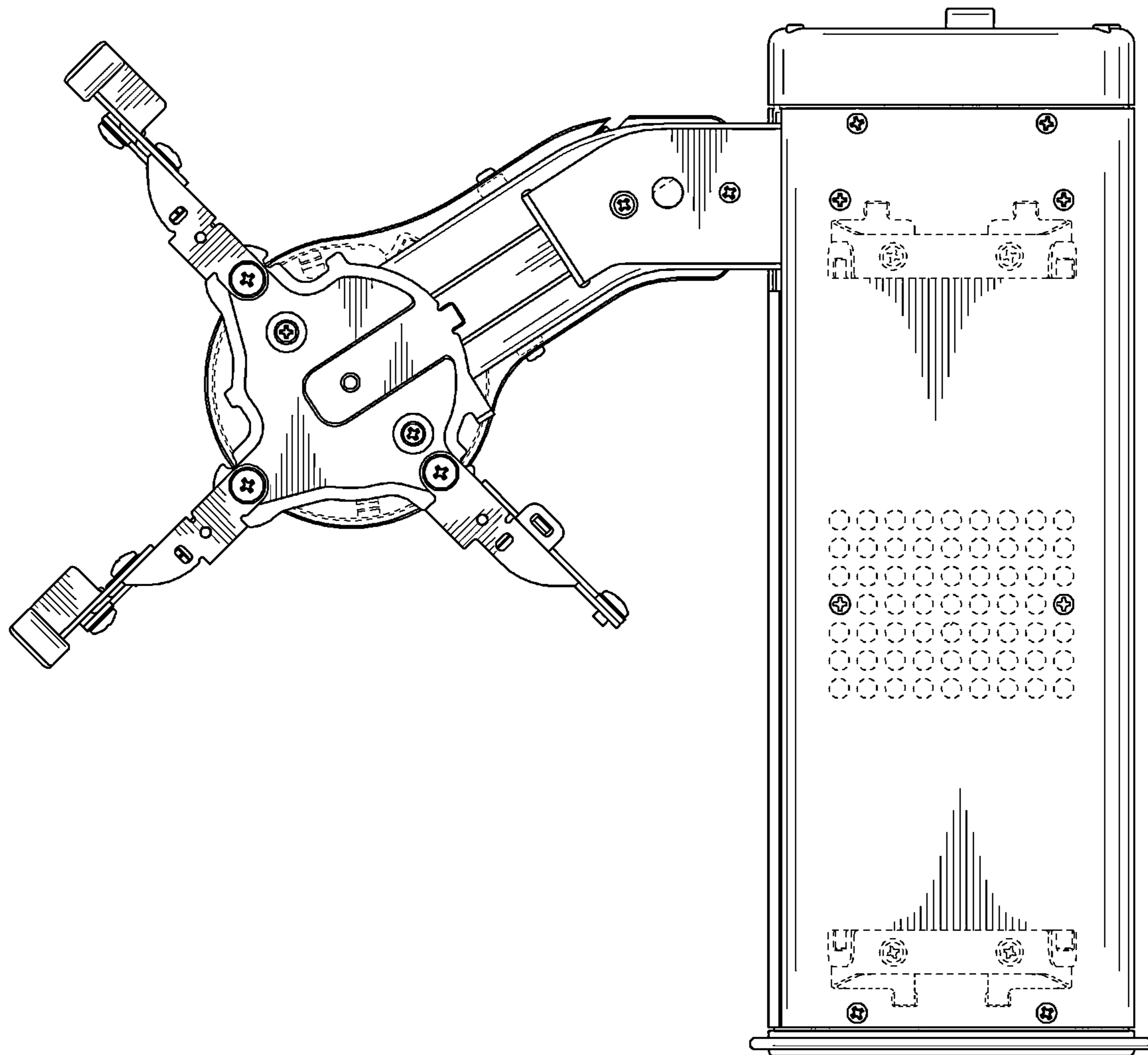
2.4



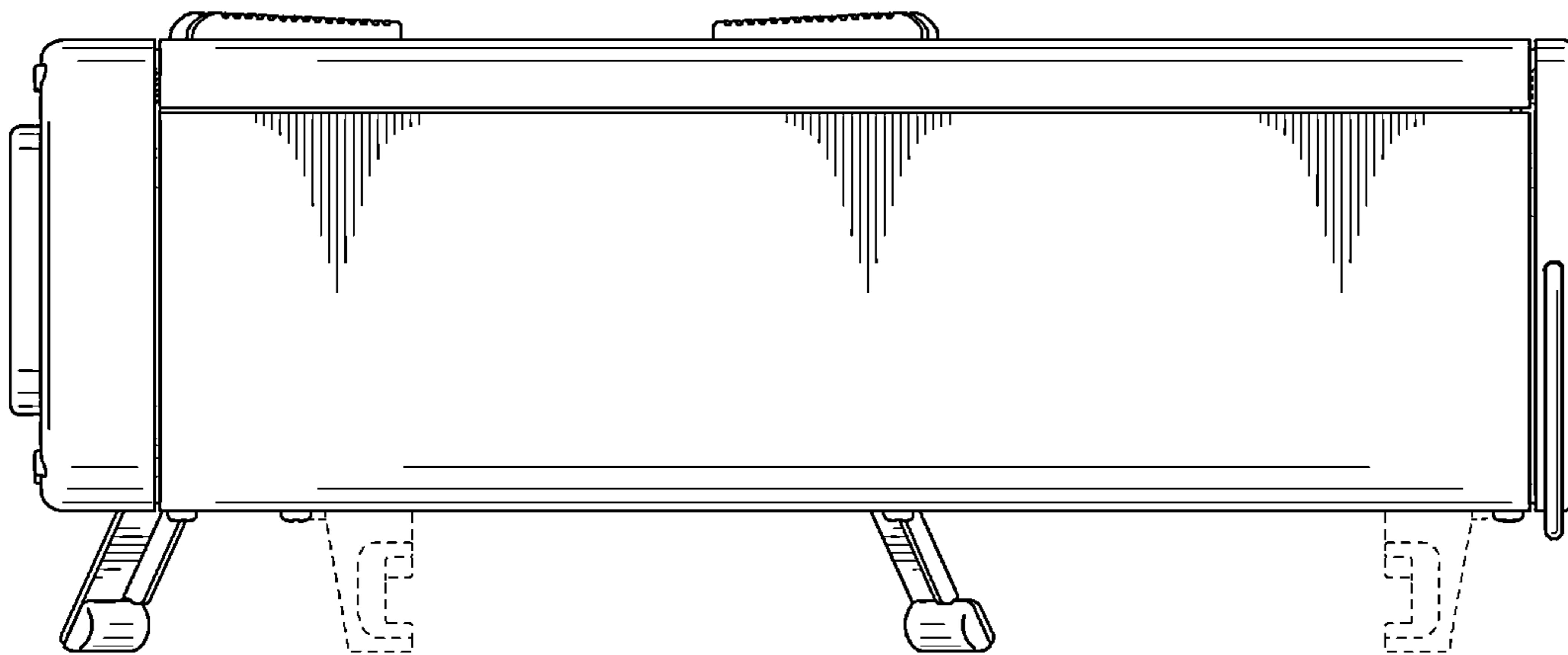
2.5



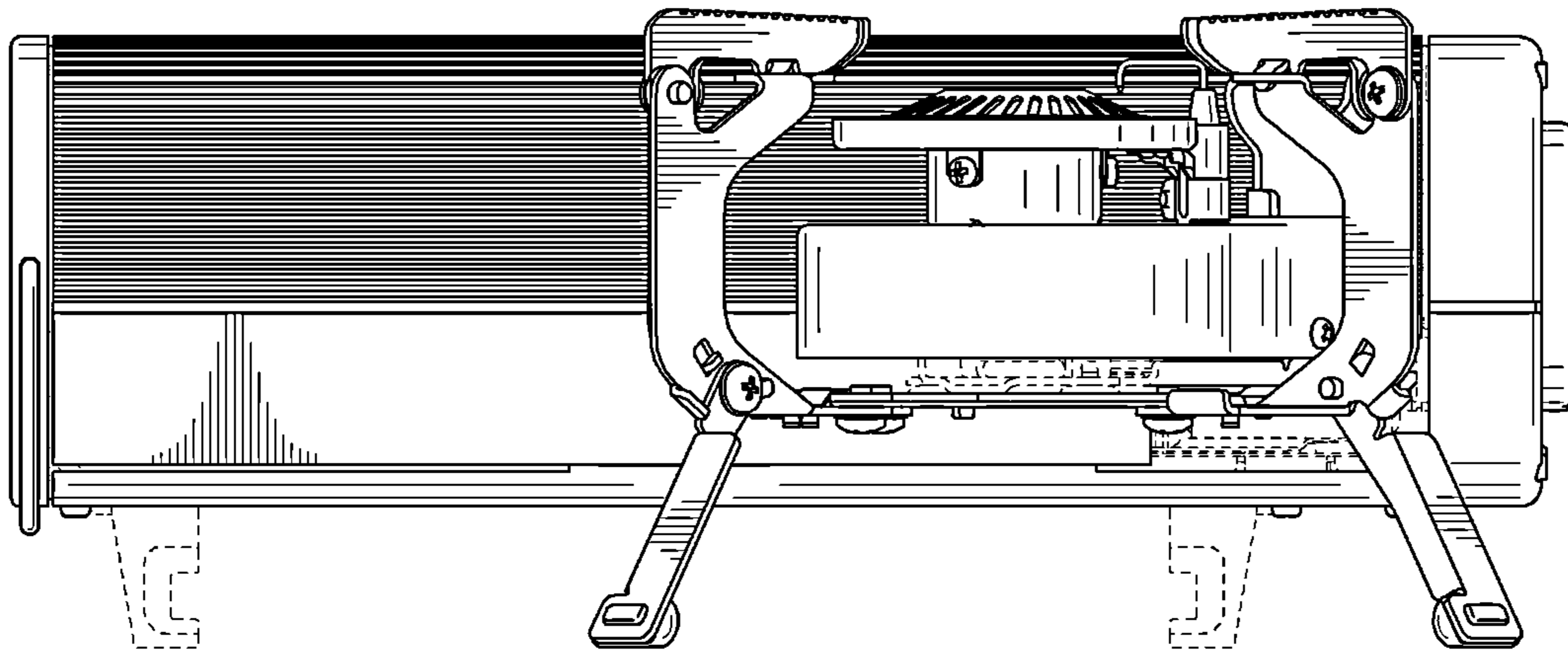
2.6



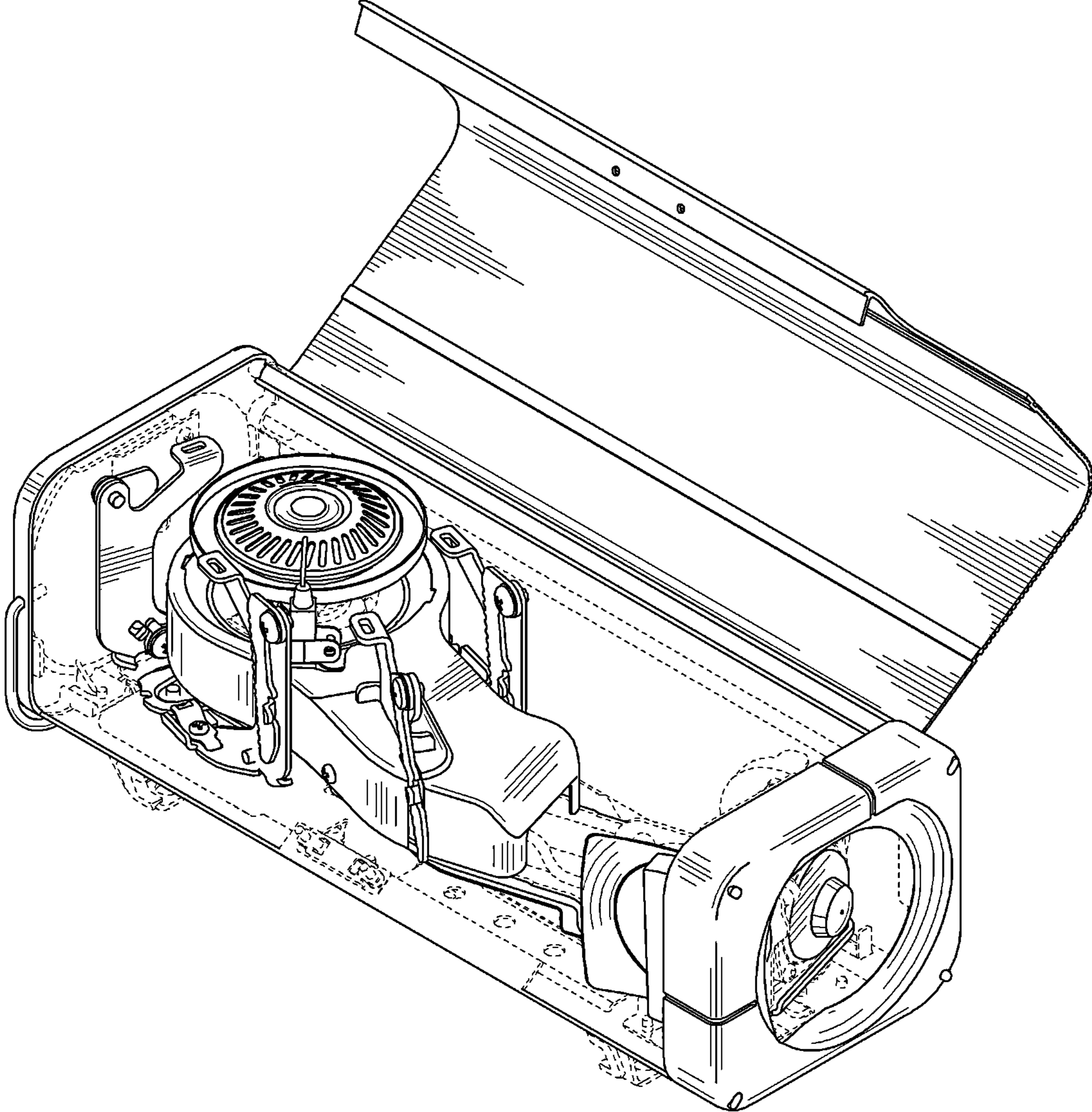
2.7



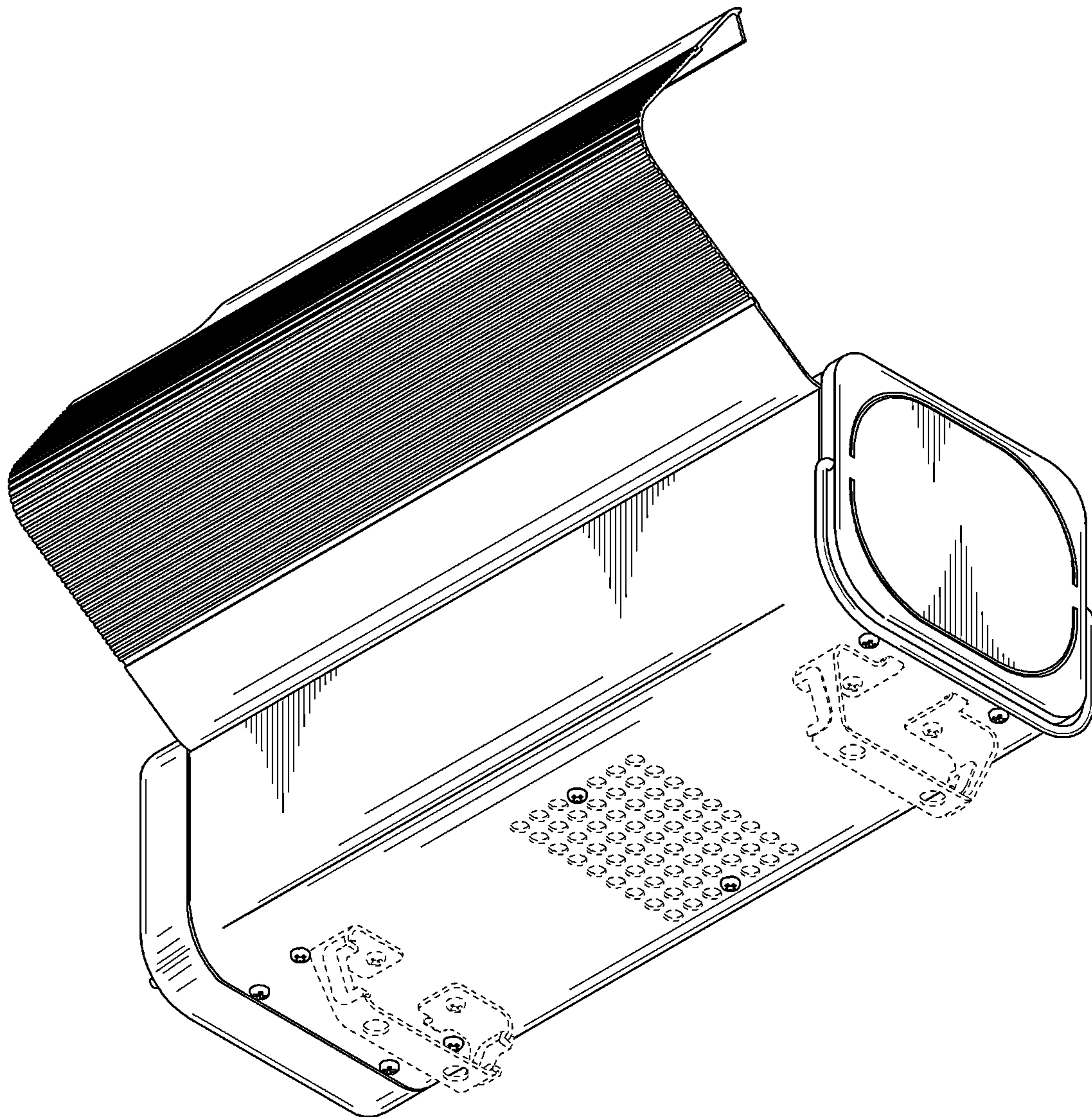
2.8



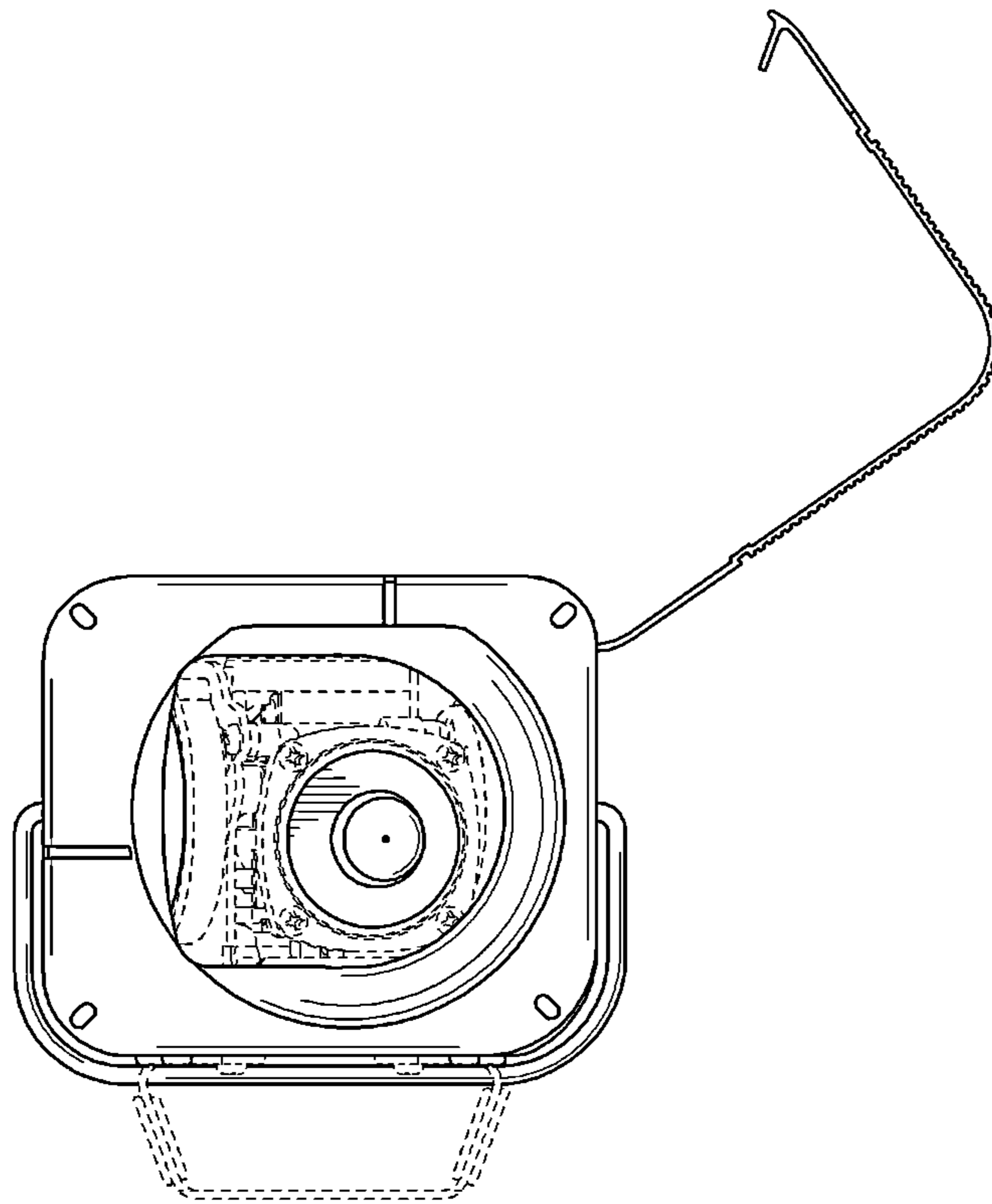
2.9



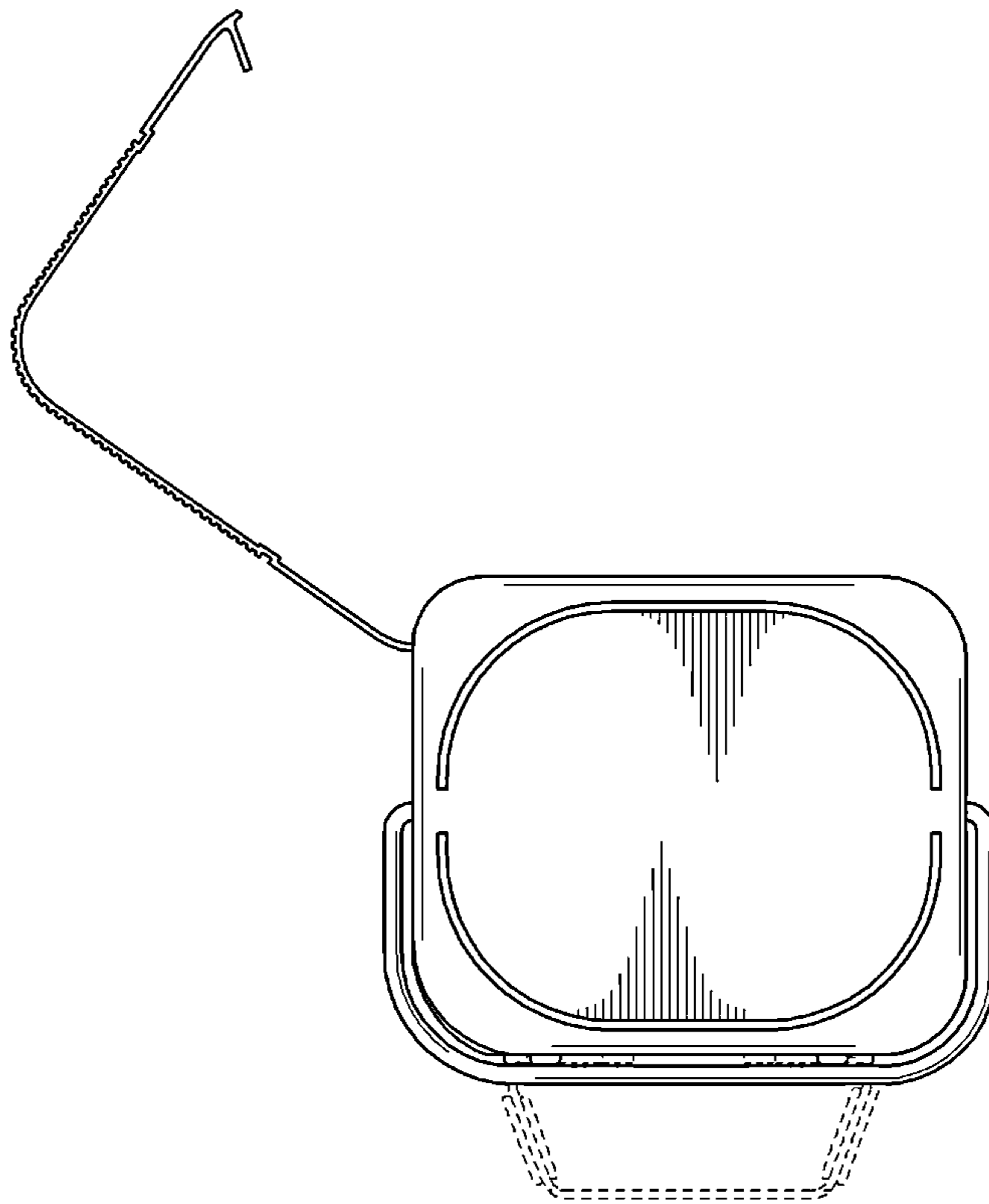
2. 10



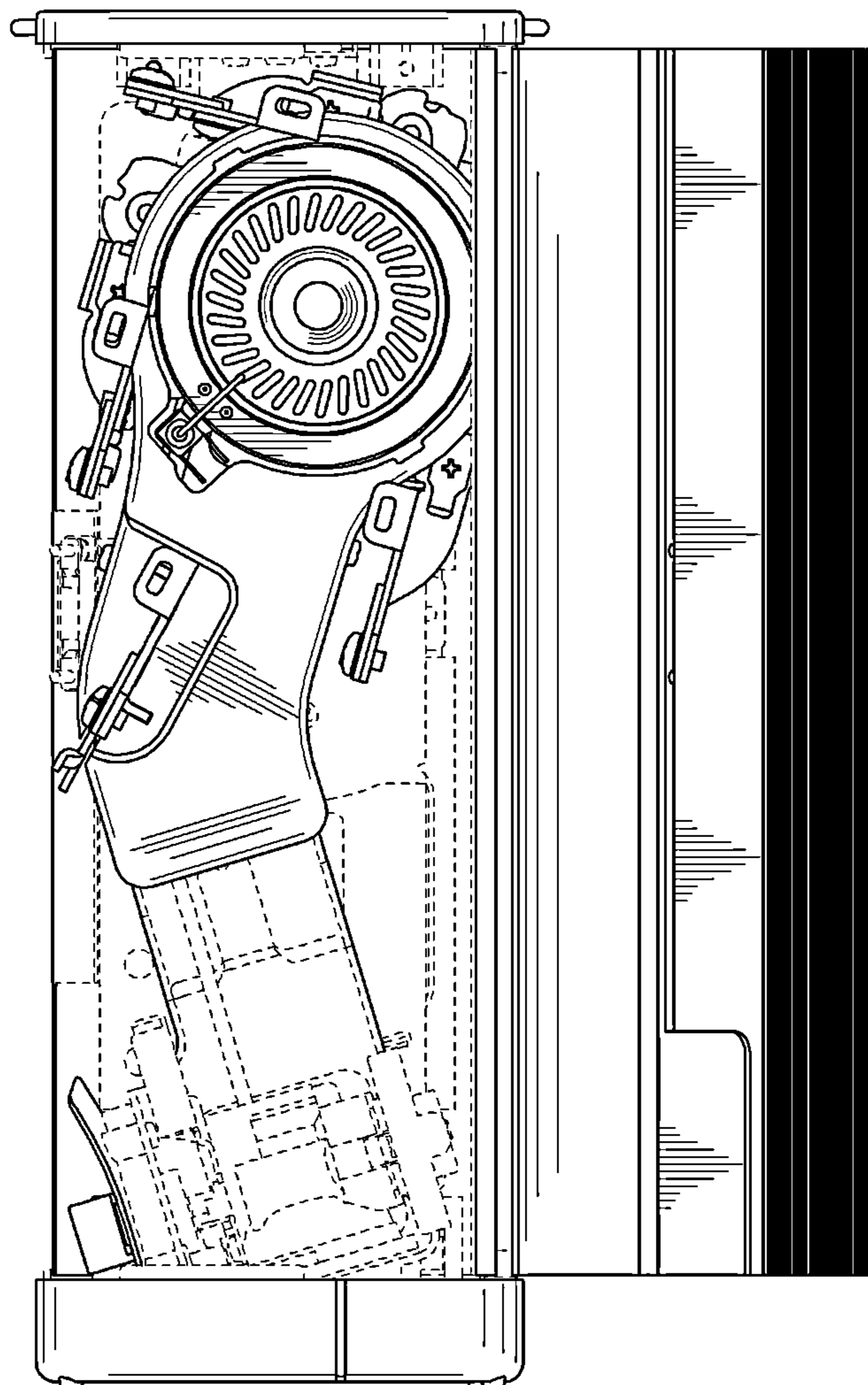
2.11



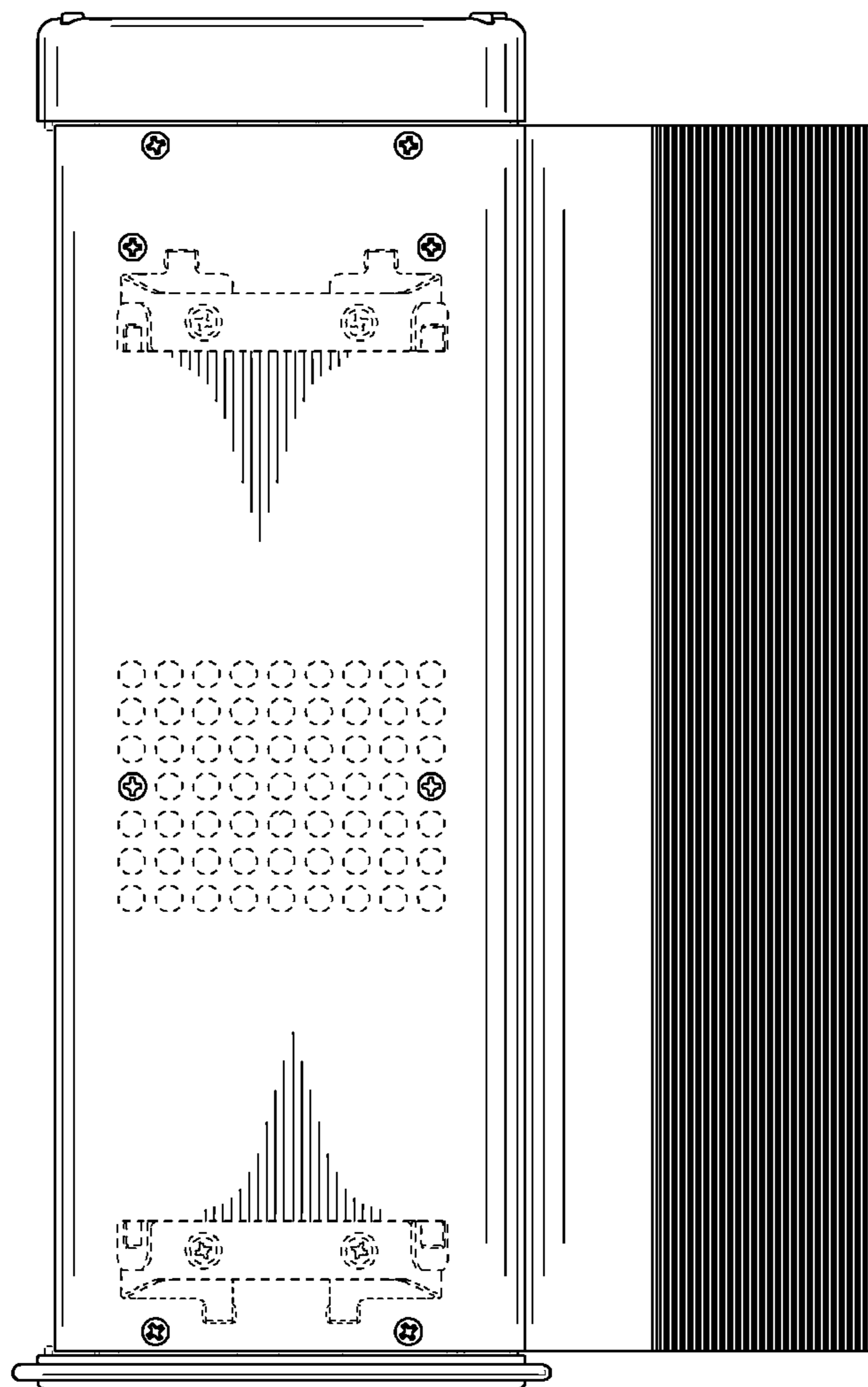
2. 12



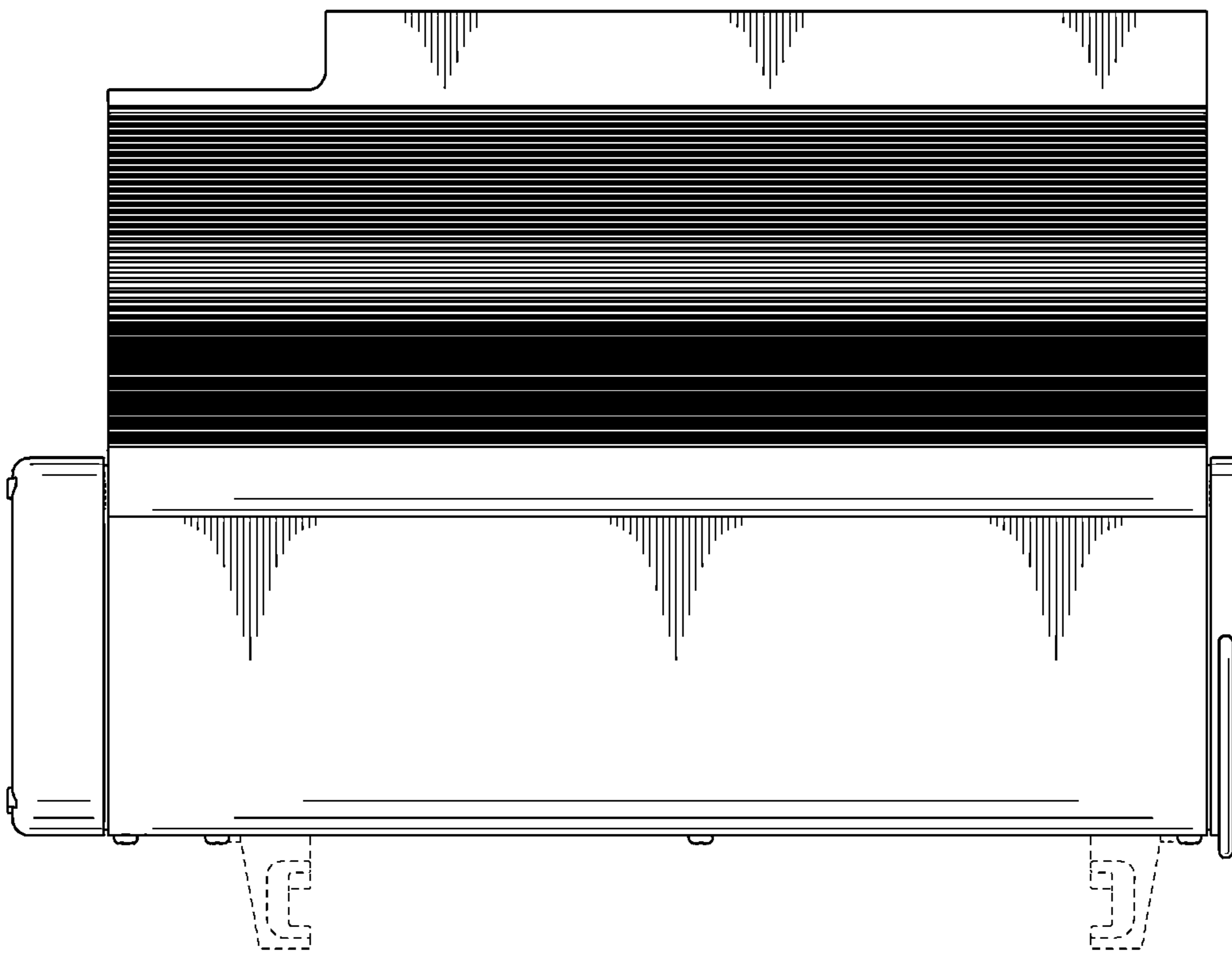
2. 13



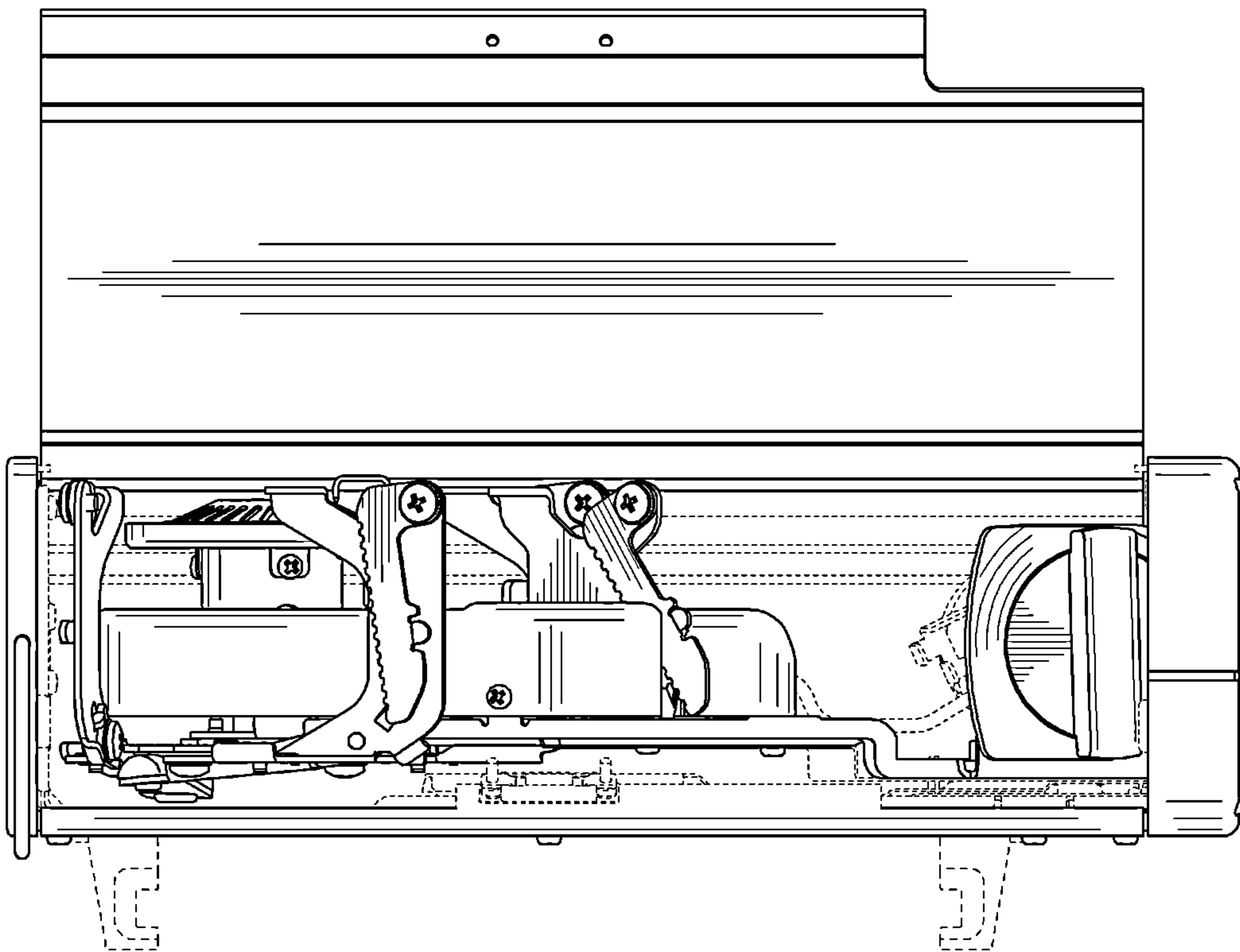
2. 14



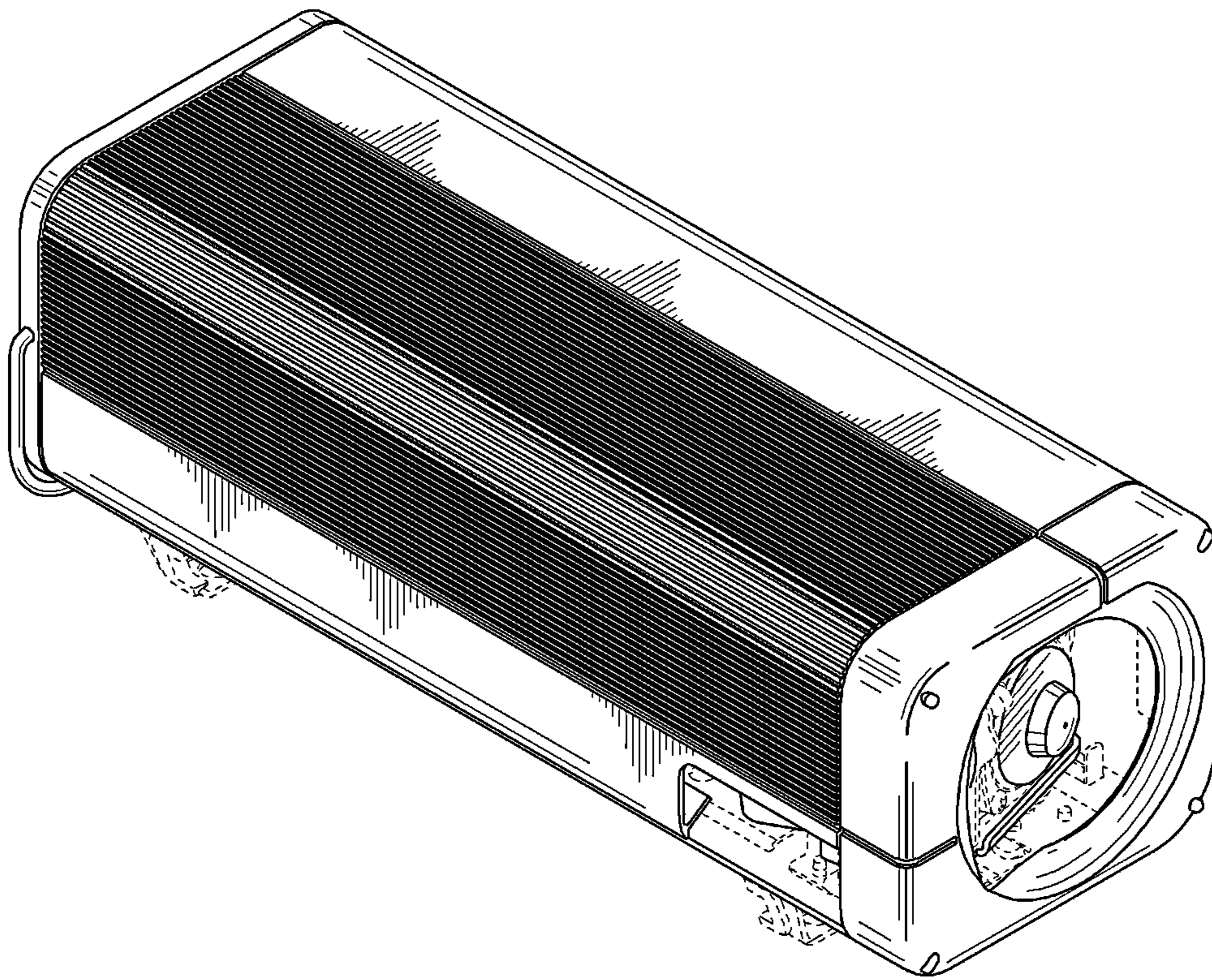
2.15



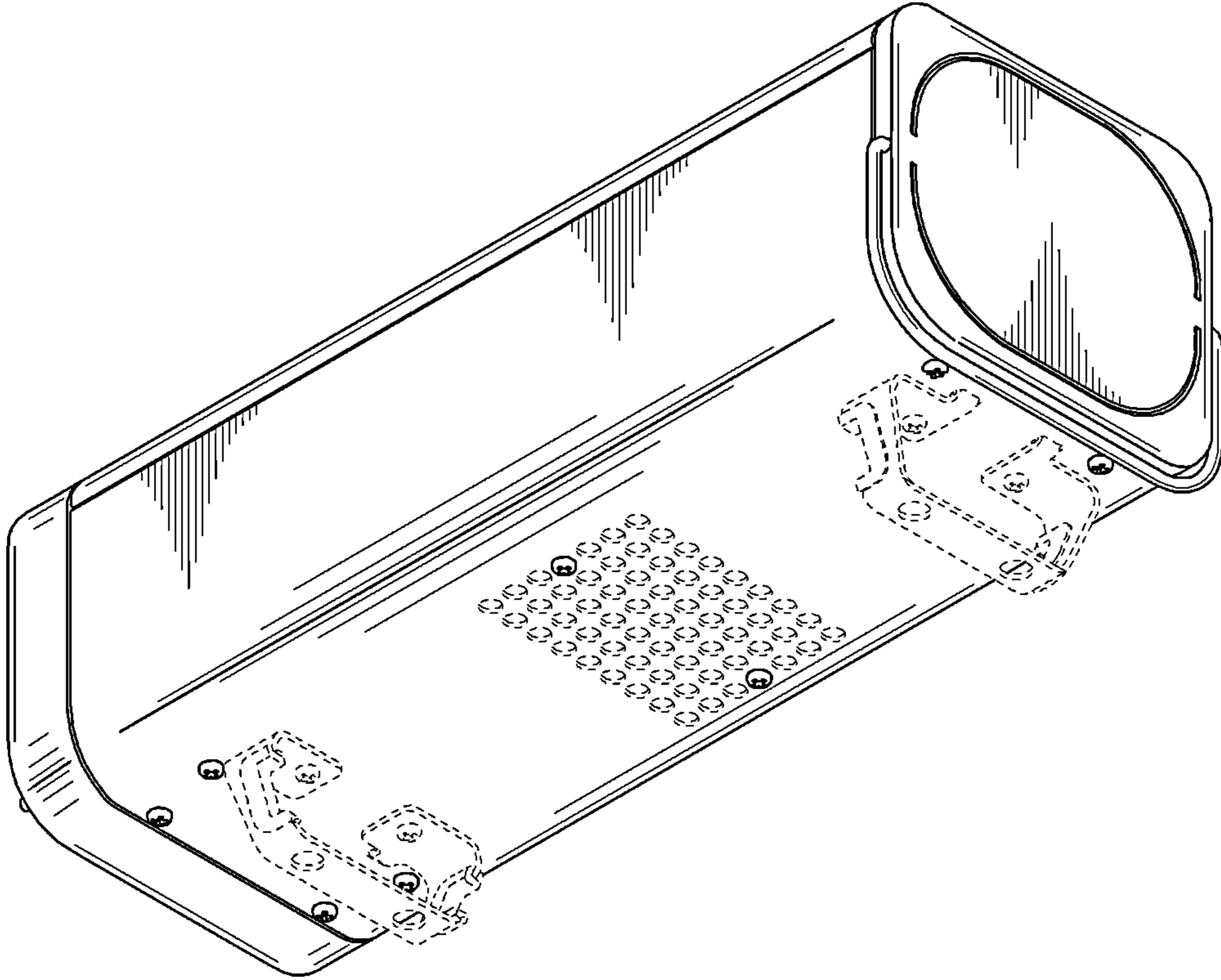
2. 16



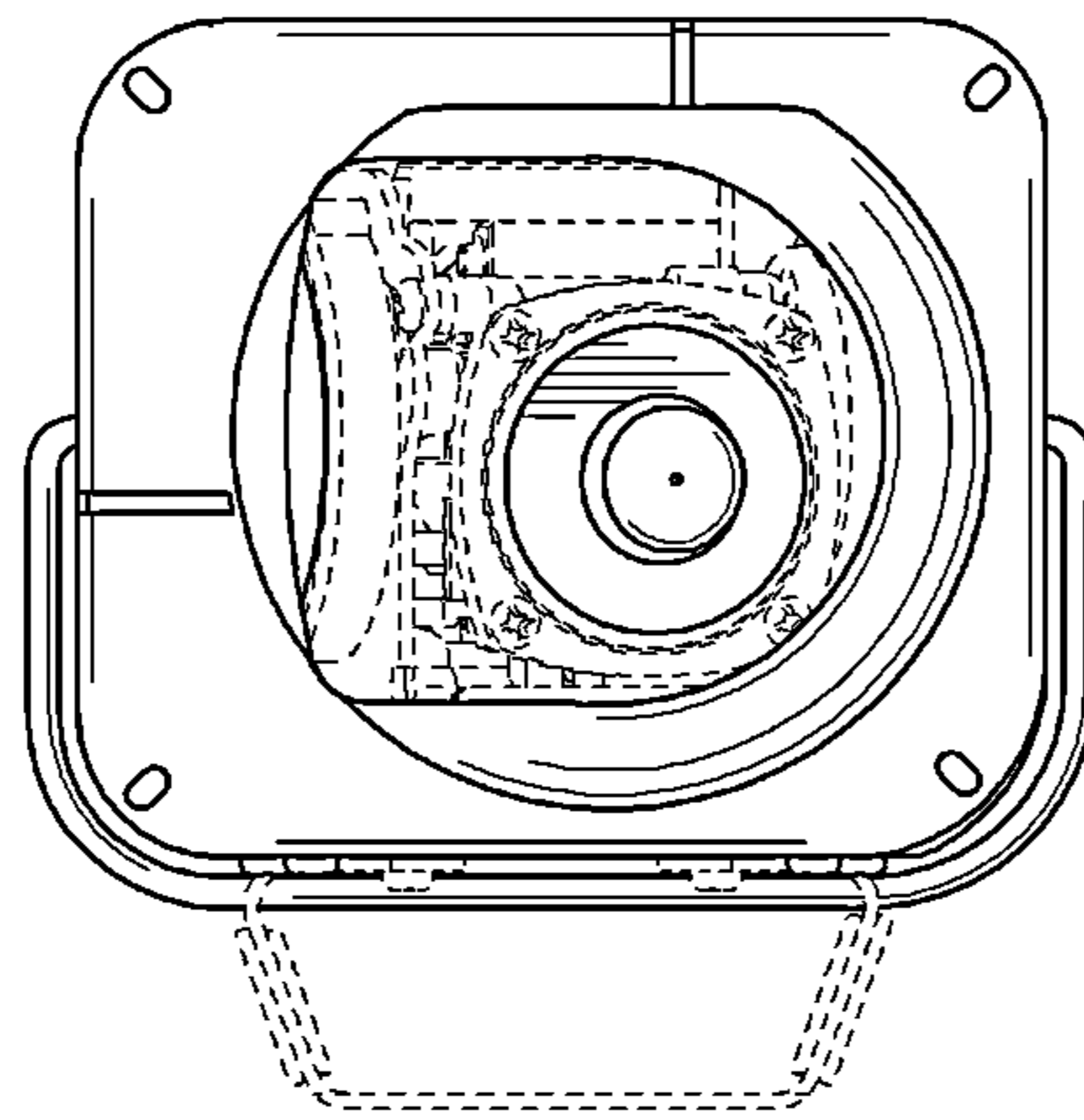
2.17



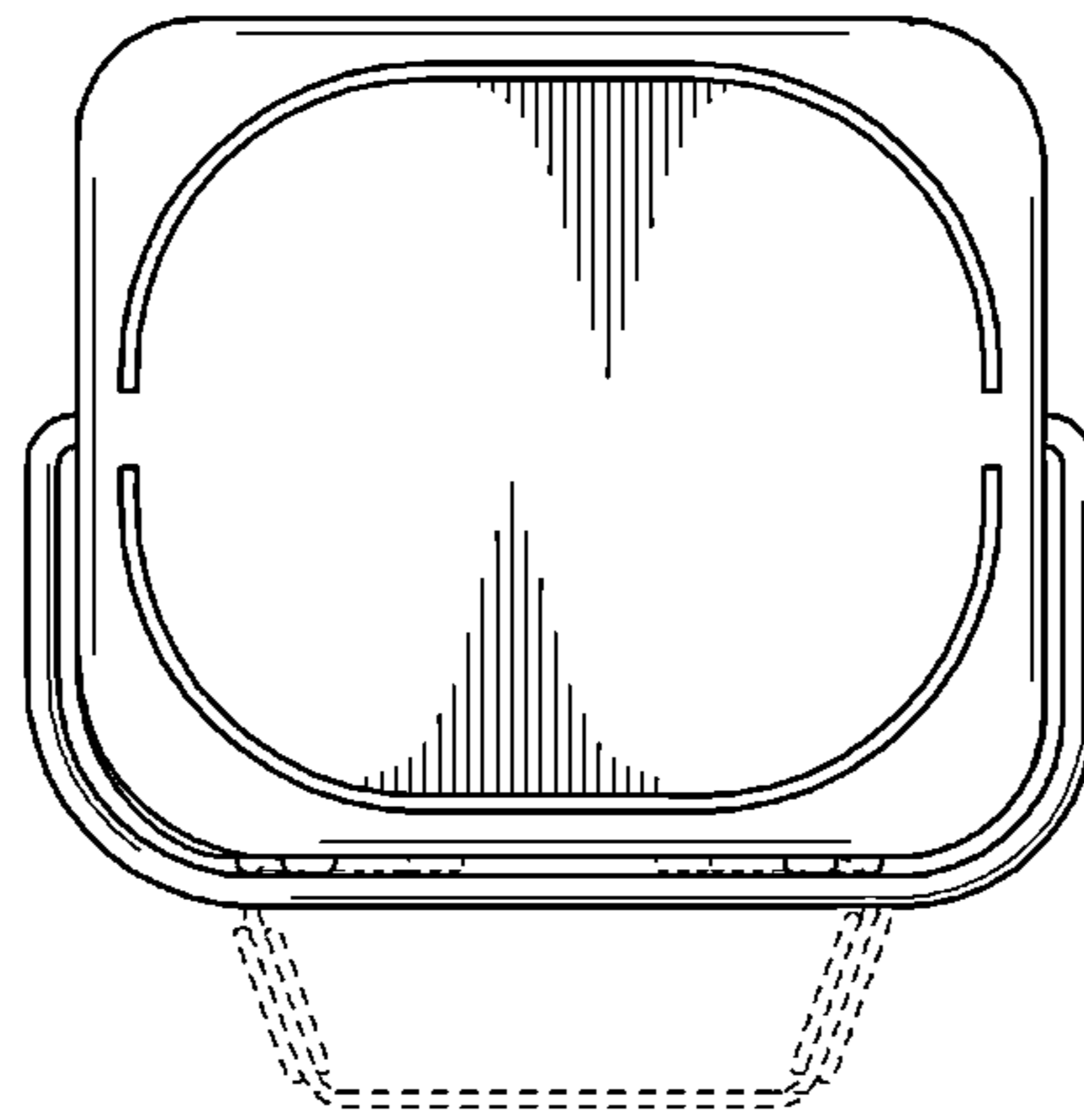
2. 18



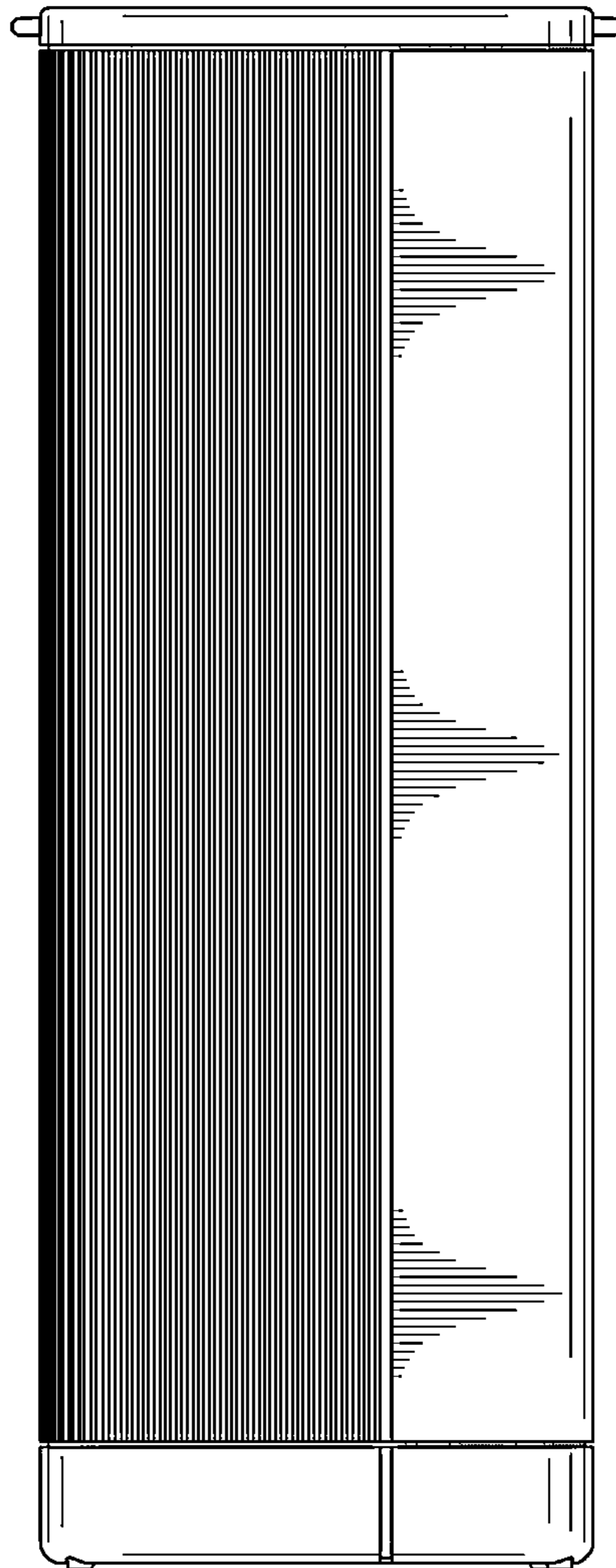
2. 19



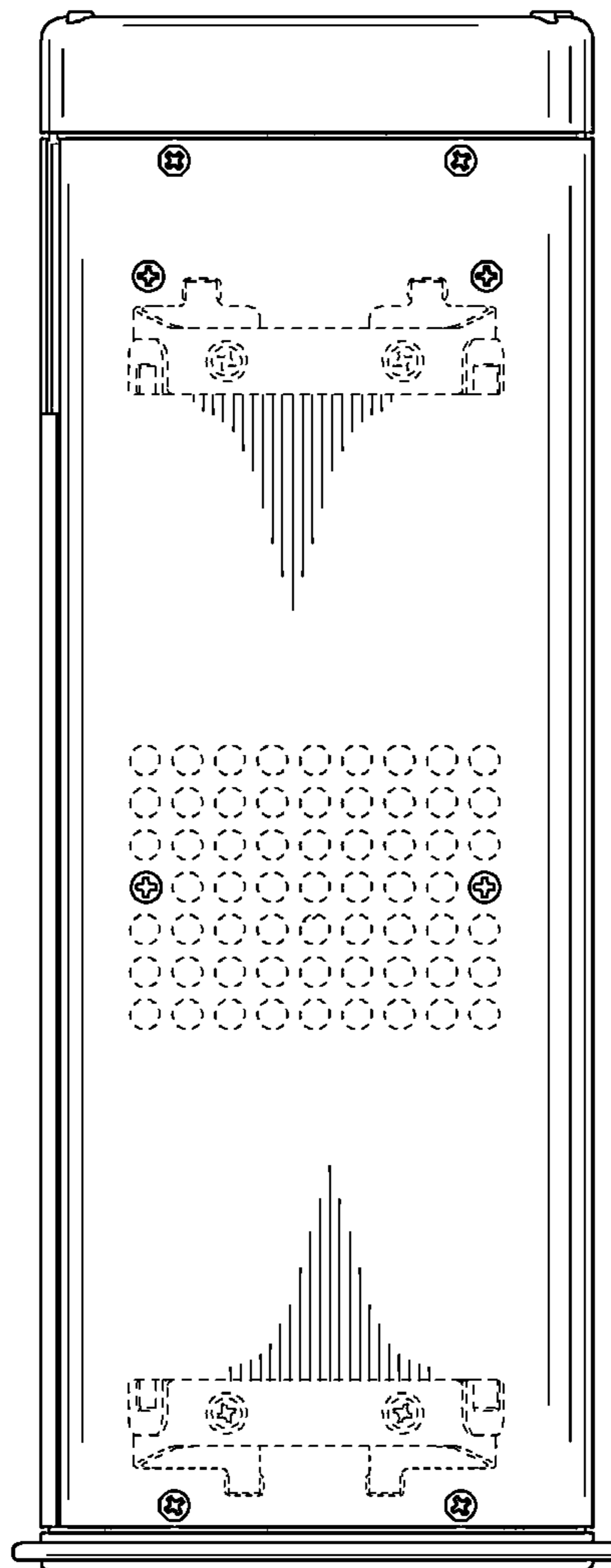
2. 20



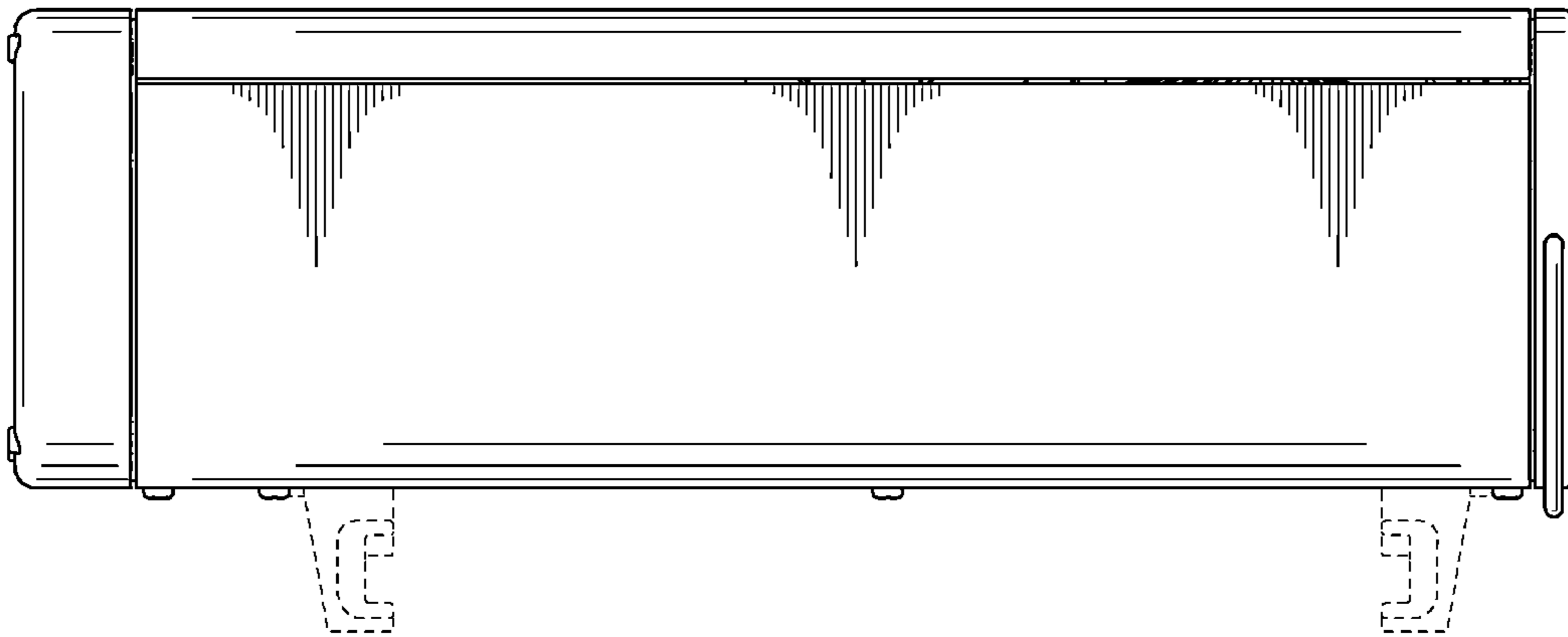
2. 21



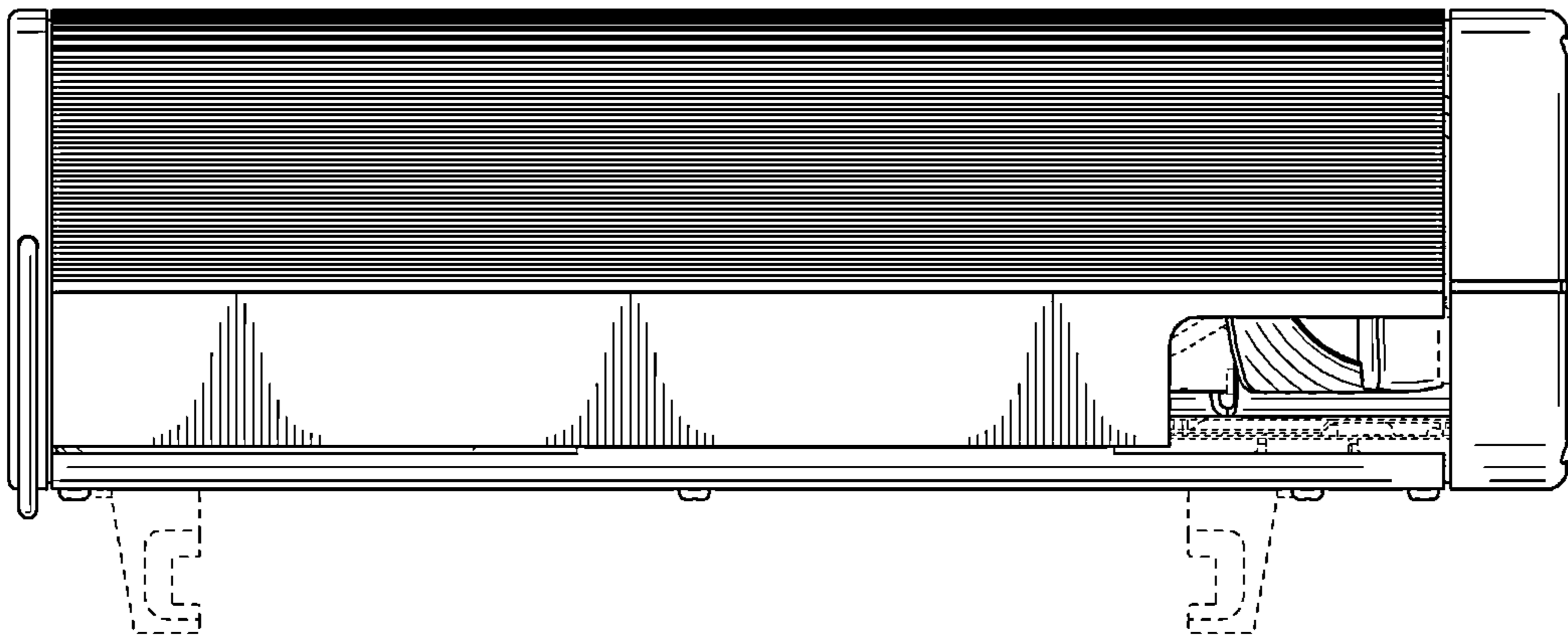
2. 22



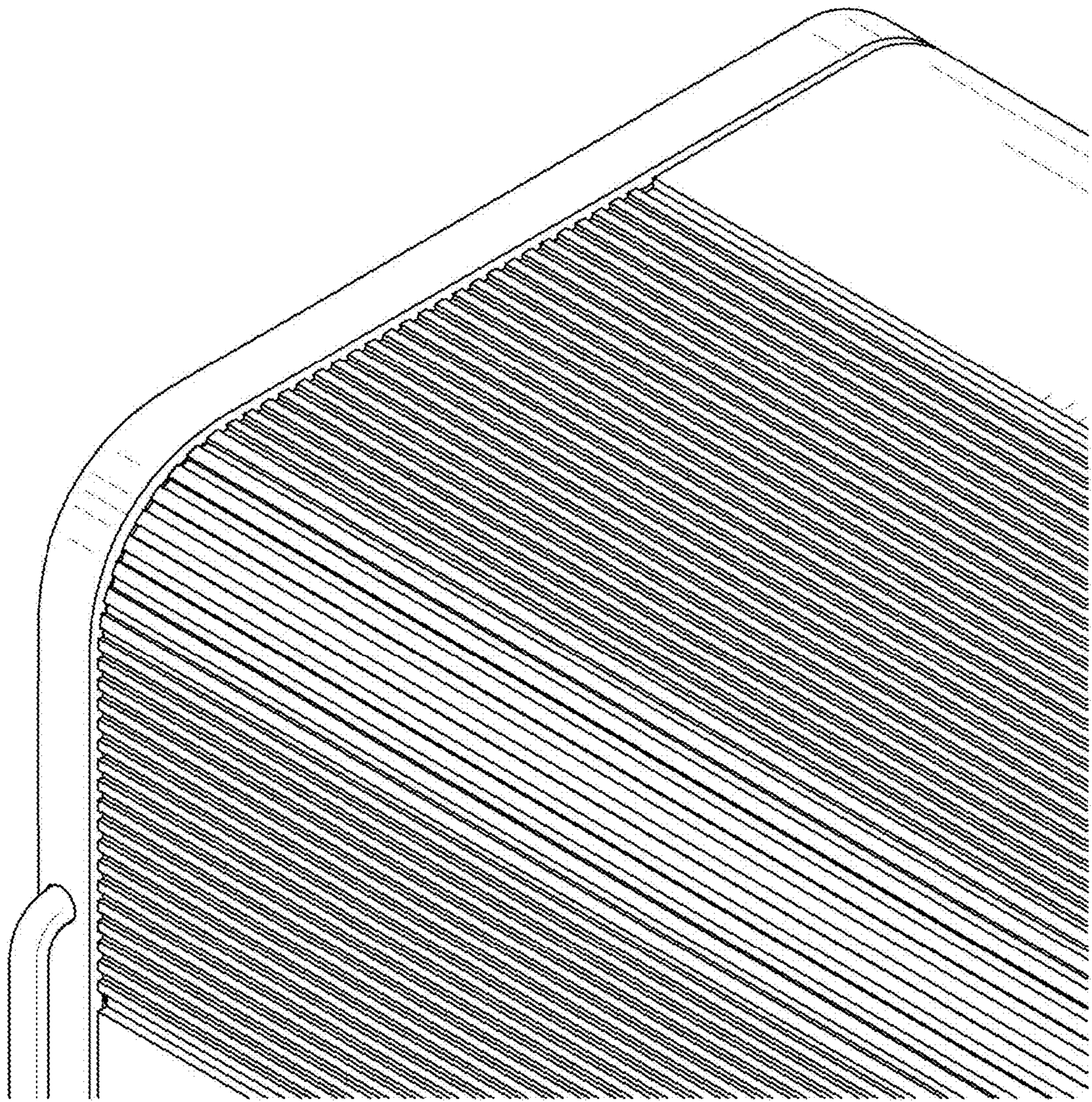
2. 23



2. 24



2.25



2. 26

