



US00D974097S

(12) **United States Design Patent** (10) **Patent No.:** **US D974,097 S**
Li (45) **Date of Patent:** **** Jan. 3, 2023**

(54) **BEVERAGE COOLER**
(71) Applicant: **AQUAVIL TECHNOLOGY CO., LTD.**, Shenzhen (CN)
(72) Inventor: **Shu Li**, Shenzhen (CN)
(73) Assignee: **AQUAVIL TECHNOLOGY CO., LTD.**, Shenzhen (CN)
(**) Term: **15 Years**
(21) Appl. No.: **29/777,725**
(22) Filed: **Apr. 8, 2021**

D259,118 S * 5/1981 Bardeau B67D 1/06 D7/311
D272,976 S * 3/1984 LaLumiere D7/311
D274,779 S * 7/1984 LaLumiere D7/311
D297,697 S * 9/1988 Fossella D7/311
D304,989 S * 12/1989 Fossella D7/311
D328,995 S * 9/1992 Verheijen D7/307
D332,200 S * 1/1993 Credle, Jr. D7/311
D403,917 S * 1/1999 Le D7/322
D453,088 S * 1/2002 Bell D7/307
D467,764 S * 12/2002 Harrison D7/312
D518,677 S * 4/2006 Van Berlo D7/306
D595,991 S * 7/2009 Zimmerman D7/307
D636,214 S * 4/2011 Parker D7/311
D700,794 S * 3/2014 Yui D7/307
D713,666 S * 9/2014 Van Baelen D7/311

(Continued)

(30) **Foreign Application Priority Data**

Dec. 23, 2020 (CN) 202030794971.4

(51) **LOC (14) Cl.** **07-01**
(52) **U.S. Cl.**
USPC **D7/313**

(58) **Field of Classification Search**
USPC D7/300, 306, 311, 312, 313, 321, 322, D7/392, 392.1, 396.1, 396.2, 397, 398, D7/399, 510, 511, 605; D15/79, 81
CPC A47G 19/12; A47G 19/2288; A47G 19/14; A47J 31/0573; A47J 27/21008; A47J 31/4475; A47J 31/50; B65D 47/06; B67D 3/0009; B67D 1/06; B67D 1/0857; F25D 3/08; F25D 2331/804; F25D 2331/806; F25D 2331/809; F25D 2331/80; F25D 3/06

See application file for complete search history.

(56) **References Cited**

U.S. PATENT DOCUMENTS

D192,846 S * 5/1962 Wildman D7/313
D246,310 S * 11/1977 Syverson D7/311
D256,020 S * 7/1980 Swanson B67D 1/0406 D7/308

FOREIGN PATENT DOCUMENTS

EP 008504633-0001 * 4/2021

Primary Examiner — Joseph Kukella
Assistant Examiner — Darryl J Dardenne

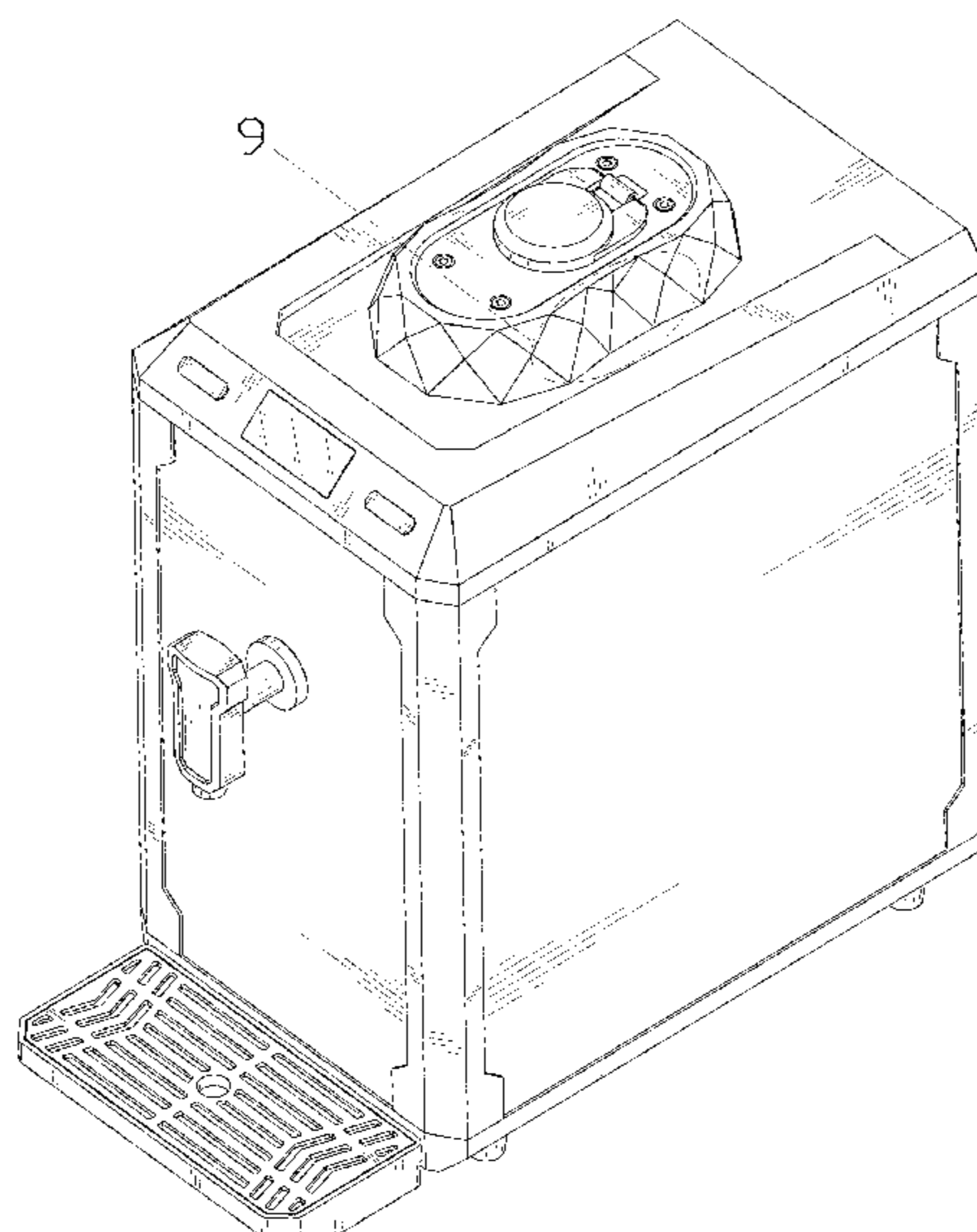
(57) **CLAIM**

The ornamental design for a beverage cooler, as shown and described.

DESCRIPTION

FIG. 1 is a perspective view of a beverage cooler showing my new design;
FIG. 2 is another perspective view thereof;
FIG. 3 is a front elevational view thereof;
FIG. 4 is a rear elevational view thereof;
FIG. 5 is a left side elevational view thereof;
FIG. 6 is a right side elevational view thereof;
FIG. 7 is a top plan view thereof;
FIG. 8 is a bottom plan view thereof; and,
FIG. 9 is an enlarged view of portion 9 shown in FIG. 1.
The broken lines in the drawings depict portions of the beverage cooler that form no part of the claimed design.

1 Claim, 9 Drawing Sheets



(56)

References Cited

U.S. PATENT DOCUMENTS

D732,872	S *	6/2015	Kalik	D7/307
D742,156	S *	11/2015	Harris	D7/311
D757,477	S *	5/2016	Wang	D7/313
D774,820	S *	12/2016	Yang	D7/311
D827,353	S *	9/2018	Hare	D7/313
D948,904	S *	4/2022	Park	D7/311
D957,856	S *	7/2022	De Pra'	D7/309
2005/0097909	A1 *	5/2005	Cleland	B67D 1/06 62/224
2011/0011108	A1 *	1/2011	Chadwell	B67D 3/0077 62/115
2013/0062366	A1 *	3/2013	Tansey	B67D 1/0809 222/101
2018/0339894	A1 *	11/2018	Chu	B67D 1/0859
2019/0256337	A1 *	8/2019	Bhutani	B67D 1/0406

* cited by examiner

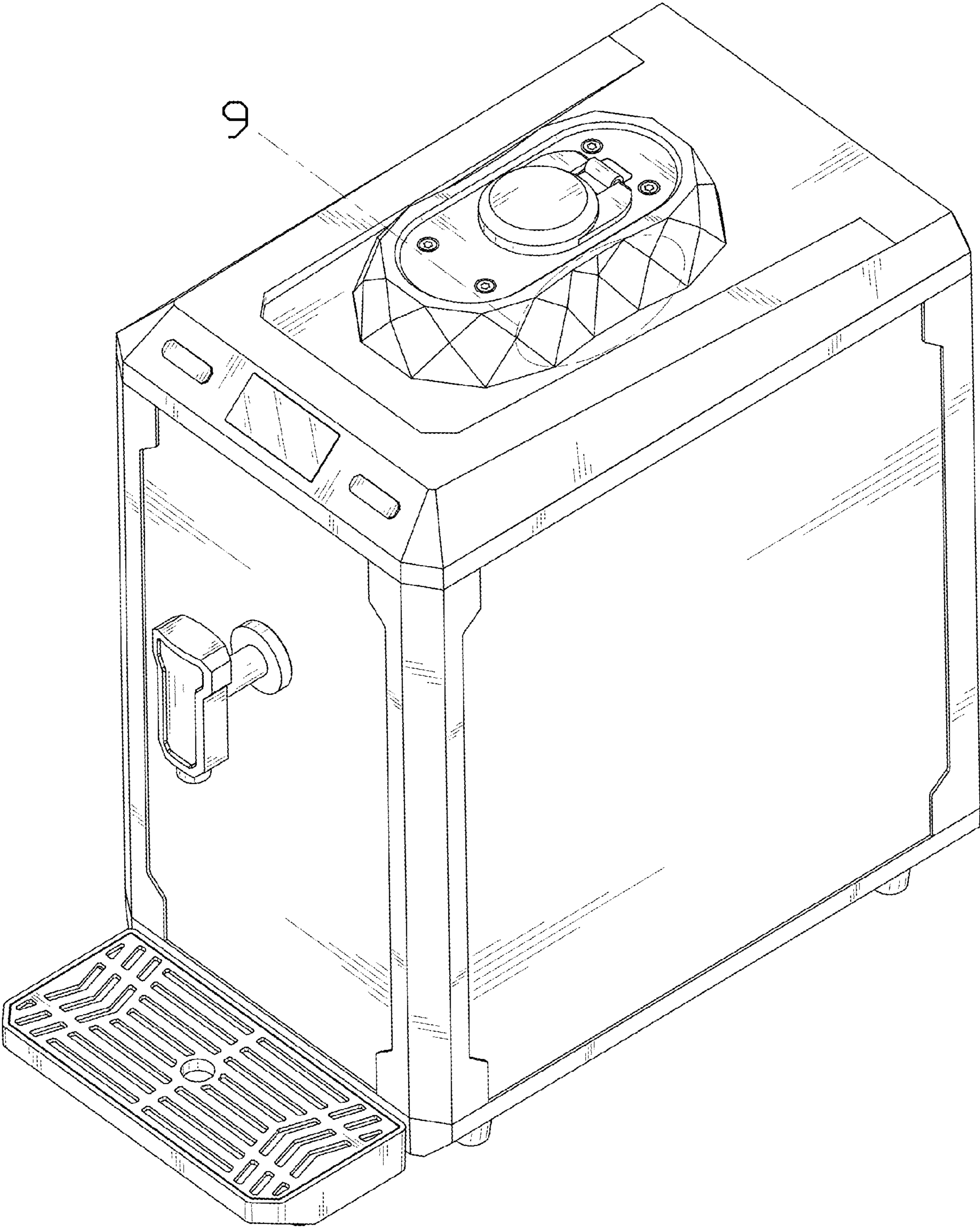


FIG. 1

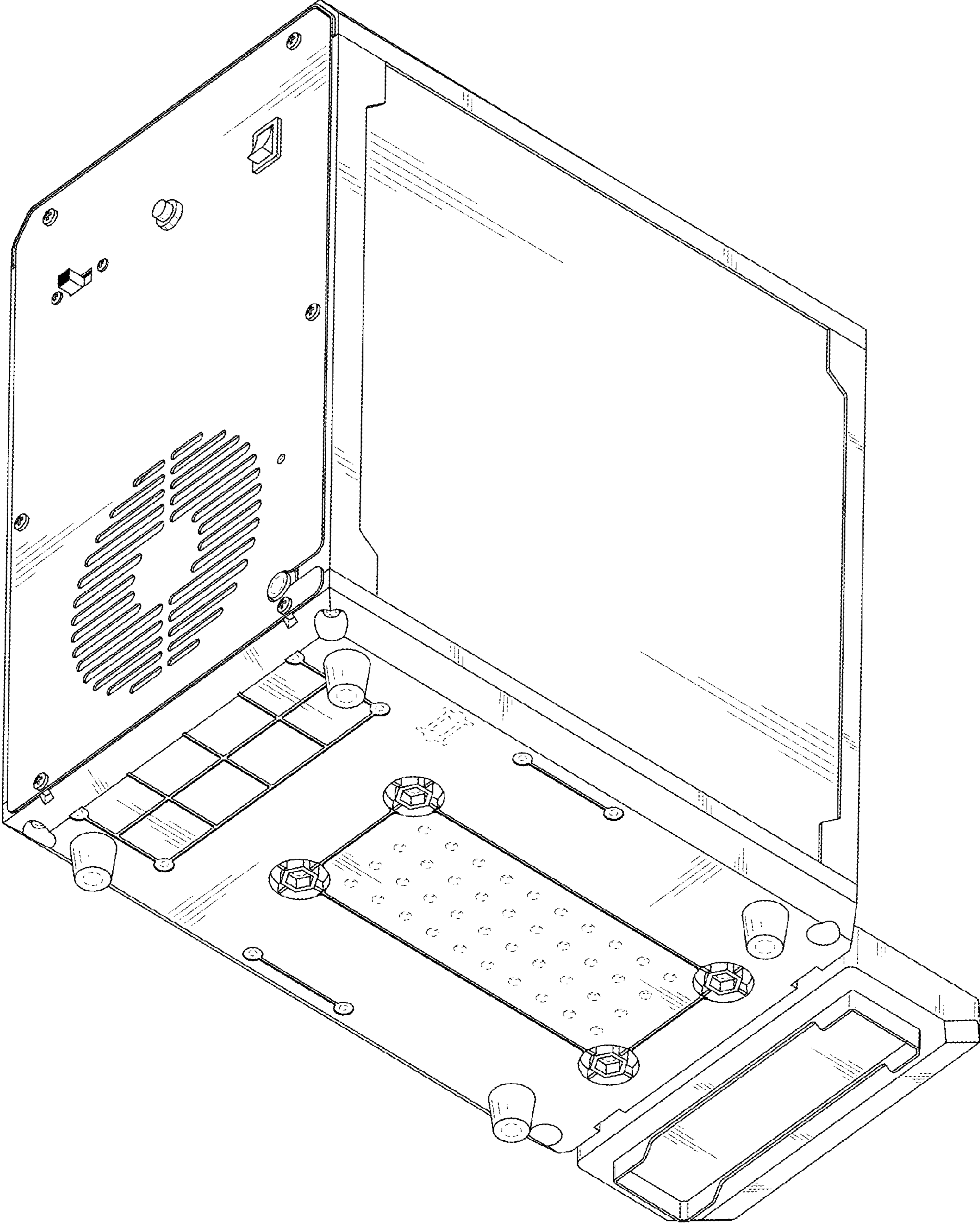


FIG. 2

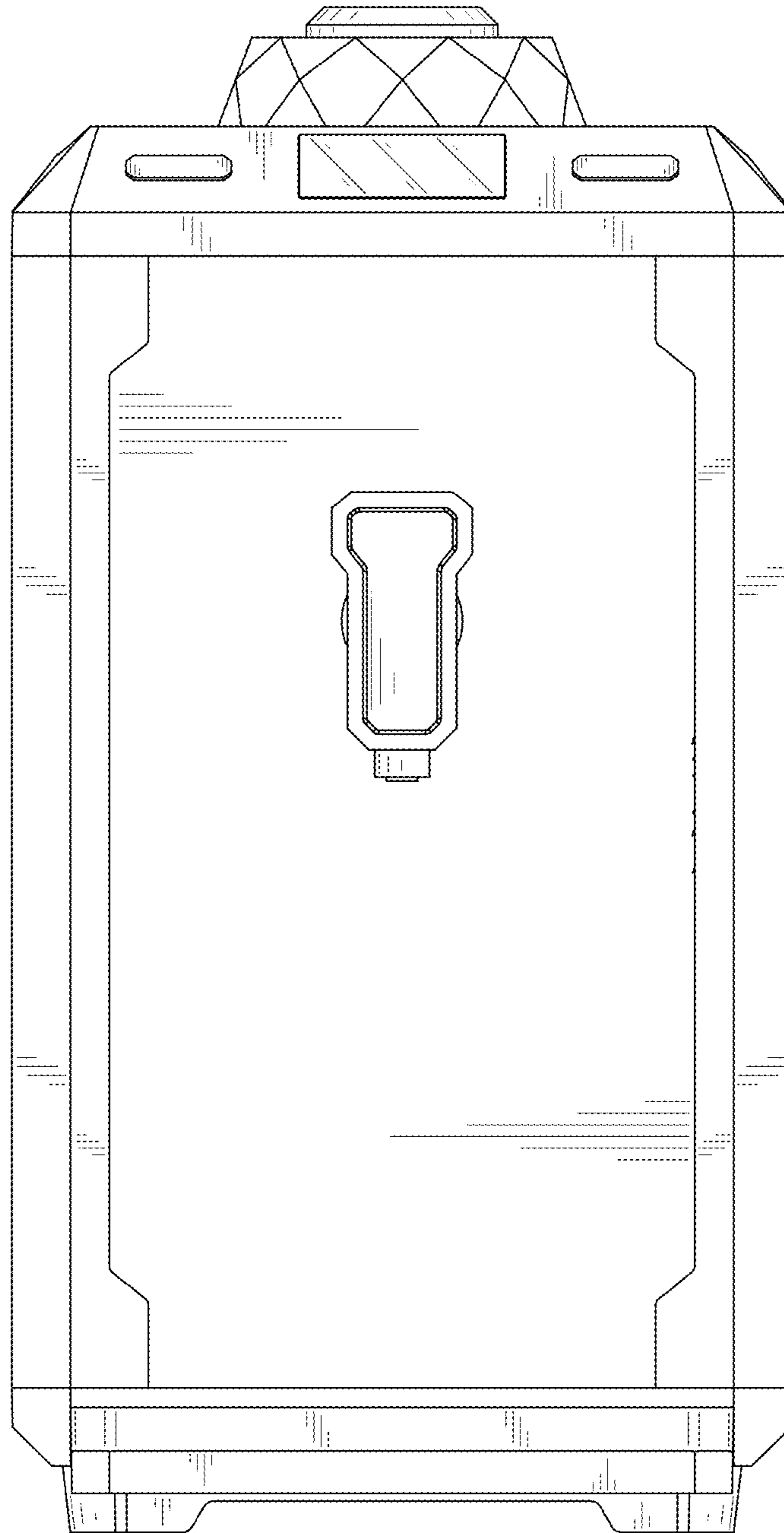


FIG. 3

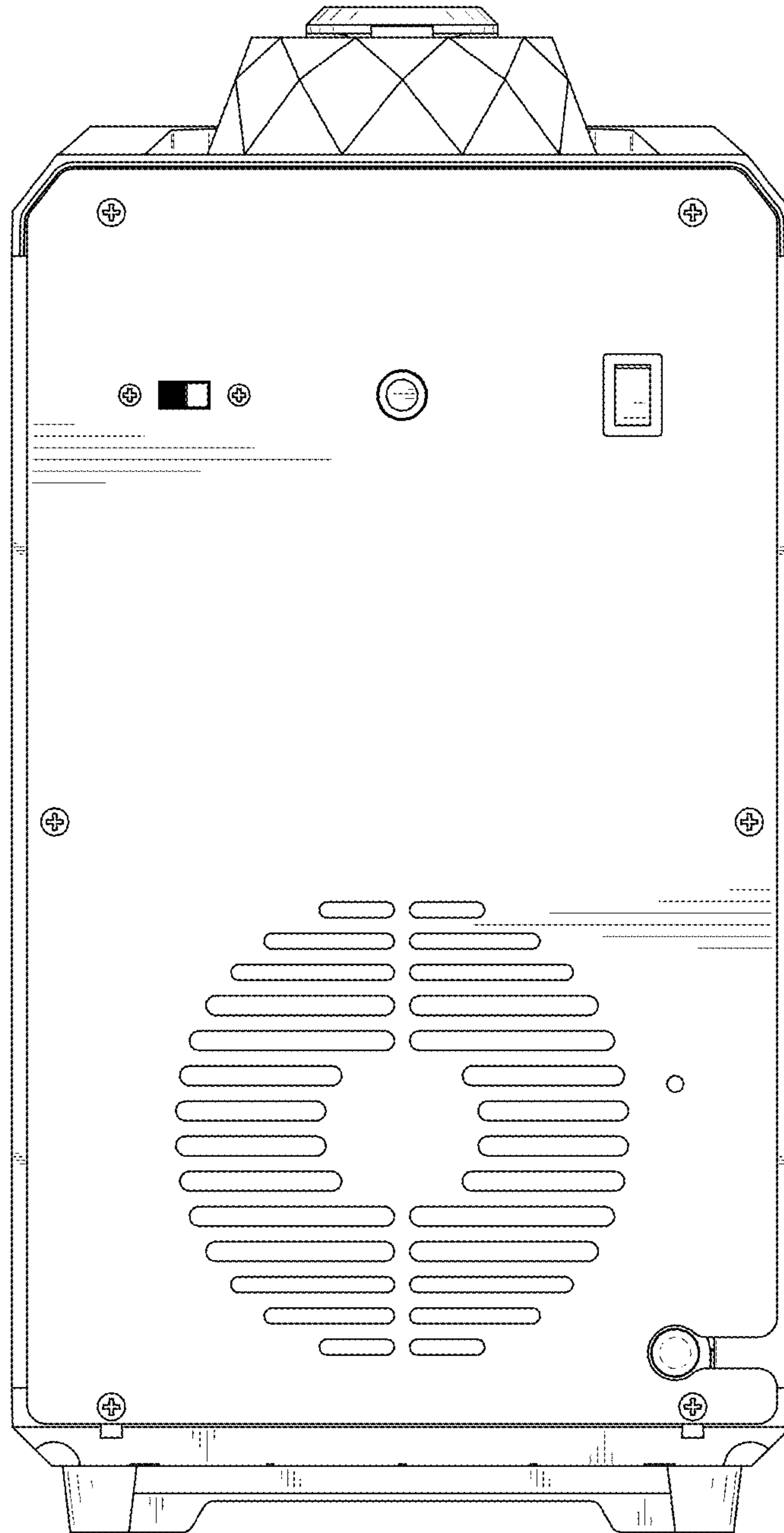


FIG. 4

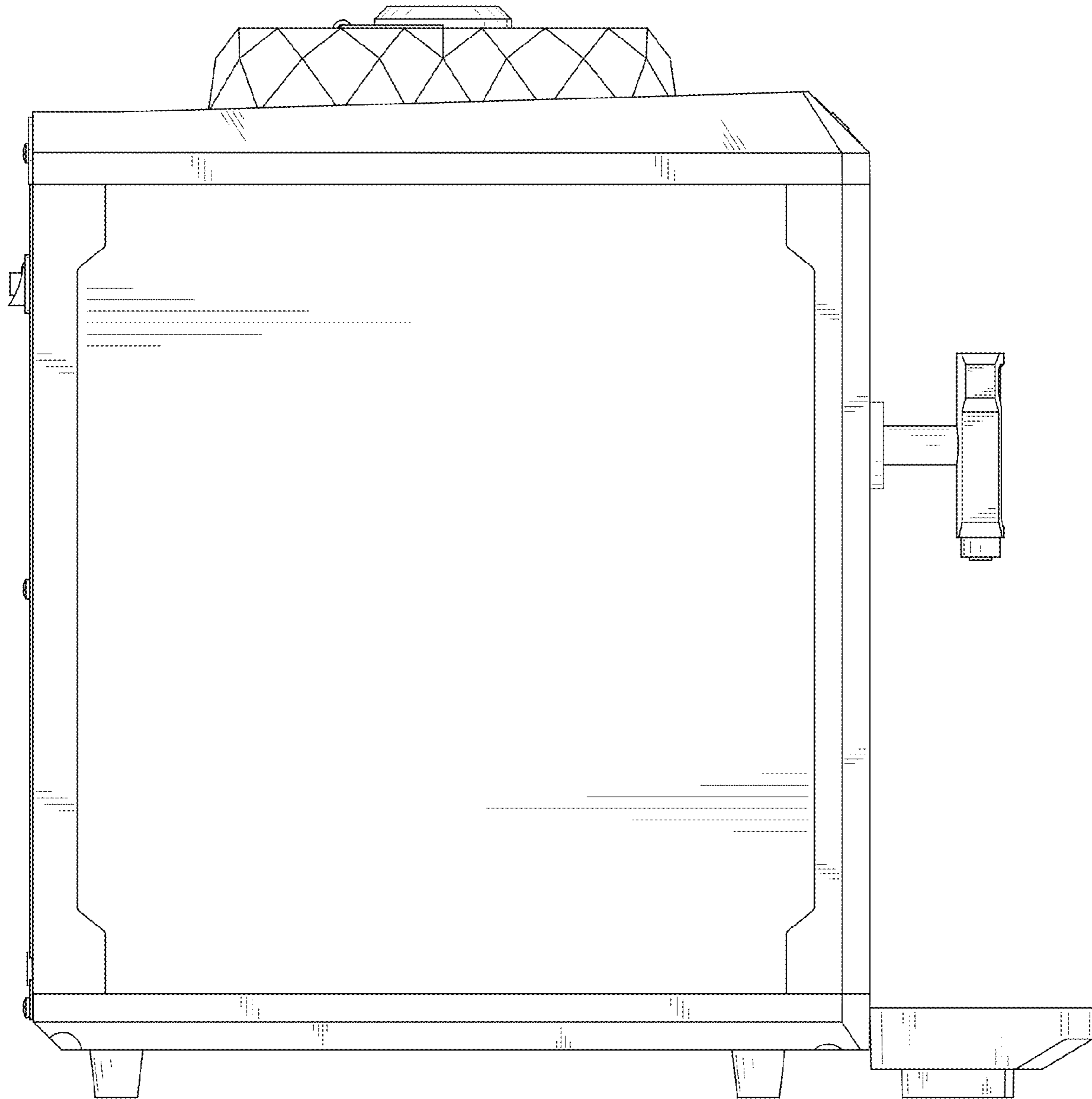


FIG. 5

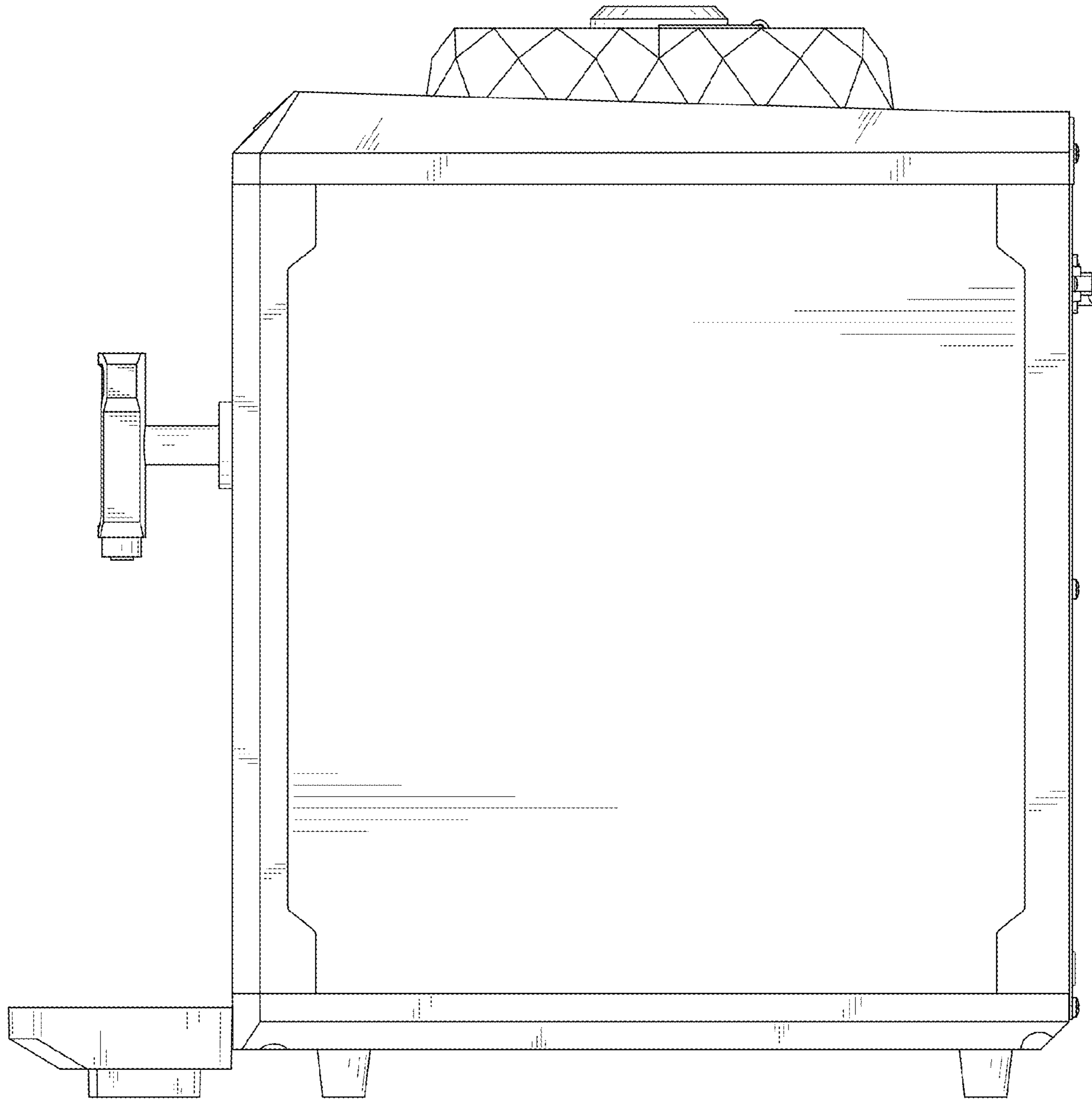


FIG. 6

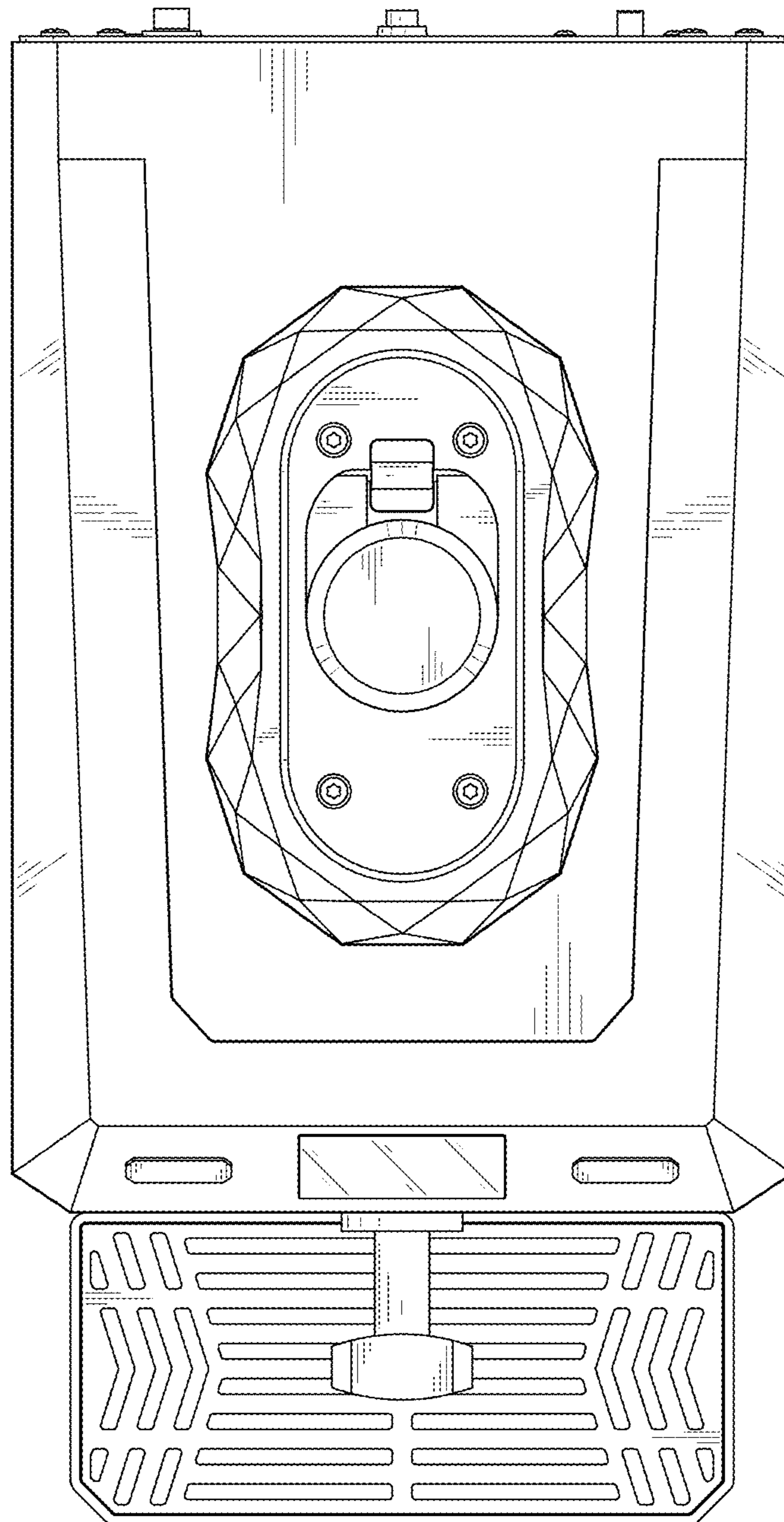


FIG. 7

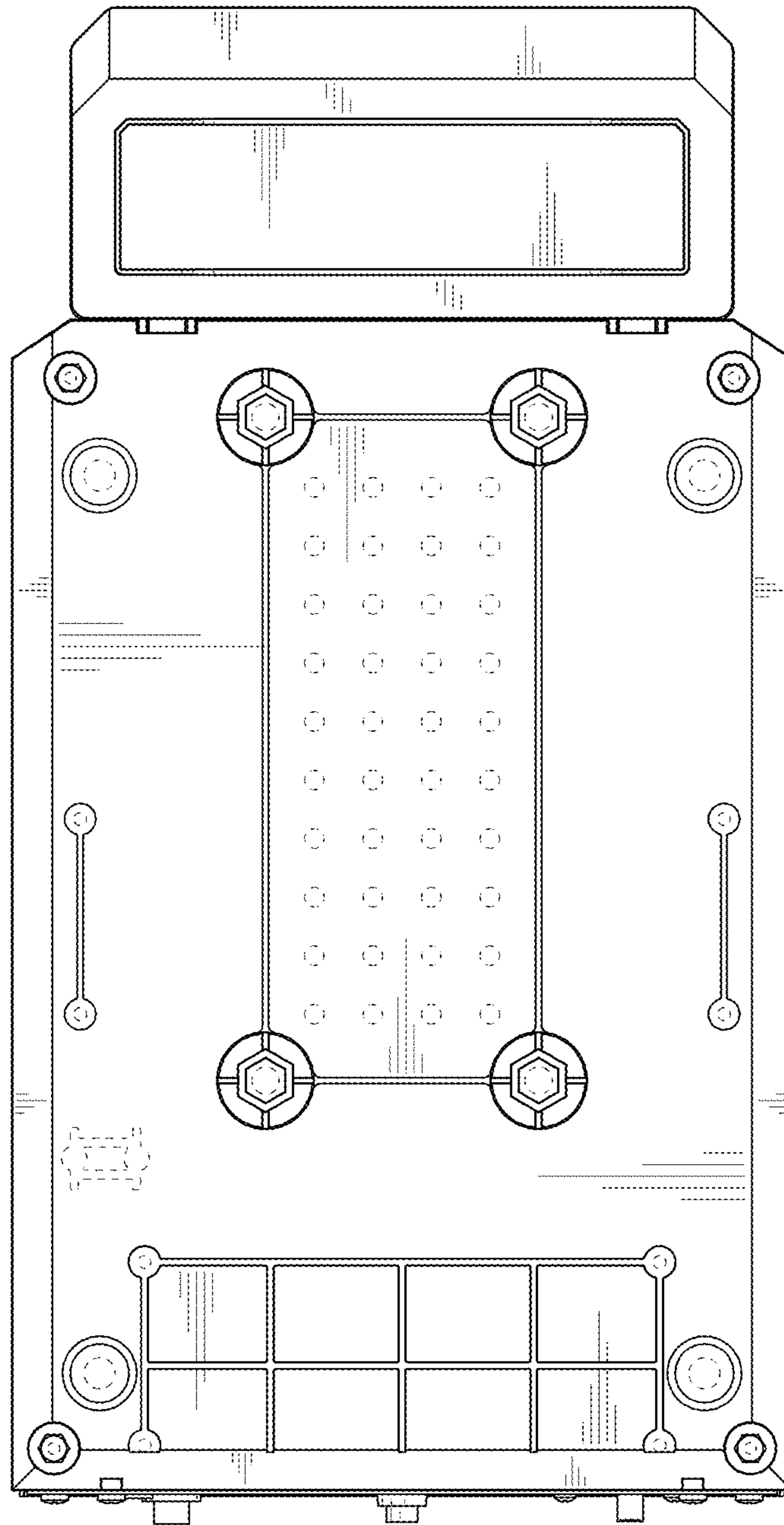


FIG. 8

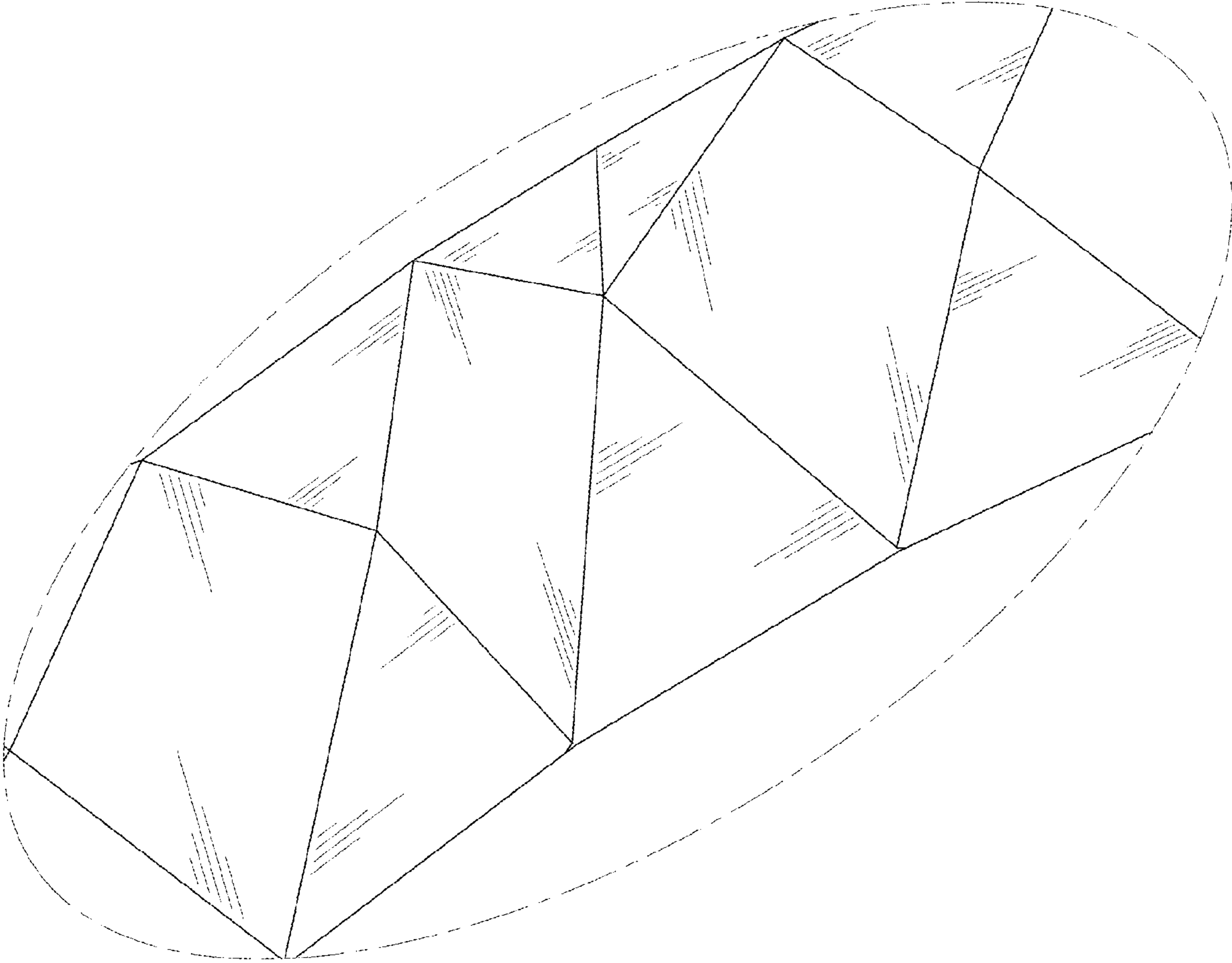


FIG. 9