



US00D974096S

(12) **United States Design Patent**
Trossen

(10) **Patent No.:** **US D974,096 S**
(45) **Date of Patent:** **** Jan. 3, 2023**

(54) **COFFEE MAKER**
(71) Applicant: **WMF GmbH**, Geislingen (DE)
(72) Inventor: **Achim Trossen**, Geislingen (DE)
(**) Term: **15 Years**
(21) Appl. No.: **35/513,473**
(22) Filed: **Dec. 13, 2021**

D835,446 S * 12/2018 Cometti D7/311
D891,166 S * 7/2020 Bignu D7/311
D936,405 S * 11/2021 Vaona D7/309

FOREIGN PATENT DOCUMENTS

CN 304744219 * 7/2018
CN 306134725 * 10/2020
EM 008624142-0001 * 11/2021
KR 300961908.0000 * 6/2018
WO WO-D206906-010 * 4/2020

(80) **Hague Agreement Data**

Int. Filing Date: **Dec. 13, 2021**
Int. Reg. No.: **DM/218510**
Int. Reg. Date: **Dec. 13, 2021**
Int. Reg. Pub. Date: **Jan. 28, 2022**

OTHER PUBLICATIONS

Cafematic, "CaféMATIC 1 & CaféMATIC 2," Oct. 6, 2020, YouTube, www.youtube.com/watch?v=AQMe0YxaNOM (Year: 2020).*
WMF coffee machines-Egypt, "We proudly present: your new team member!" Apr. 16, 2022, Facebook, www.facebook.com/wmfmachinesegypt/photos/a.115517147056016/400730798534648/ (Year: 2022).*

(51) **LOC (14) Cl.** **31-00**
(52) **U.S. Cl.**
USPC **D7/309; D7/310; D7/311; D7/313**
(58) **Field of Classification Search**
USPC **D7/300, 306-313, 397-399**
CPC **A47J 31/04; A47J 31/043; A47J 31/0573;**
A47J 31/24; A47J 31/30; A47J 31/40;
A47J 31/42; A47J 31/44; A47J 31/4475;
A47J 31/4489; A47J 31/52; A47J 31/56
See application file for complete search history.

* cited by examiner

Primary Examiner — Joseph Kukella
Assistant Examiner — Arva P Adams

(57) **CLAIM**

The ornamental design for a coffee maker, as shown and described.

DESCRIPTION

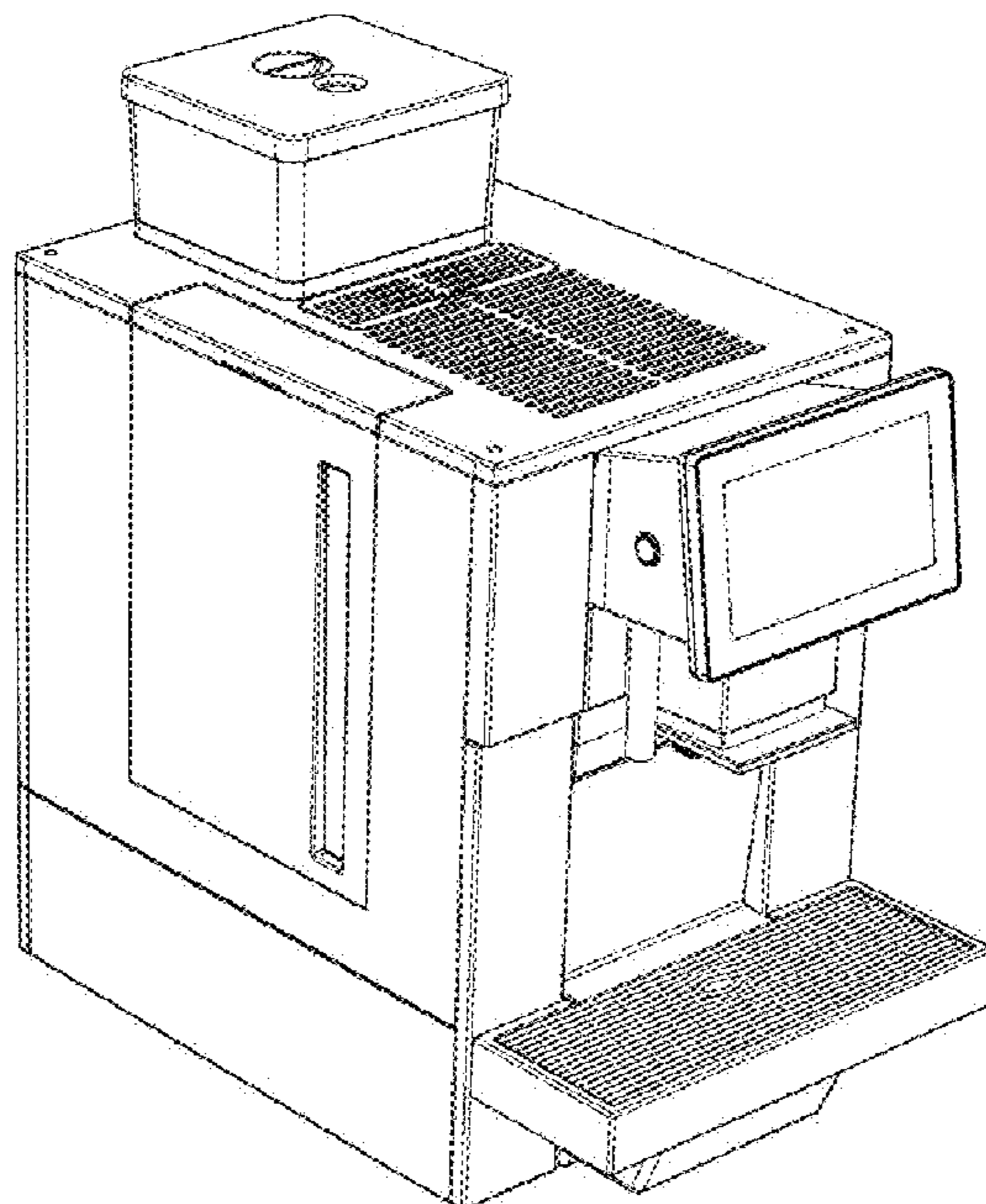
(56) **References Cited**

U.S. PATENT DOCUMENTS

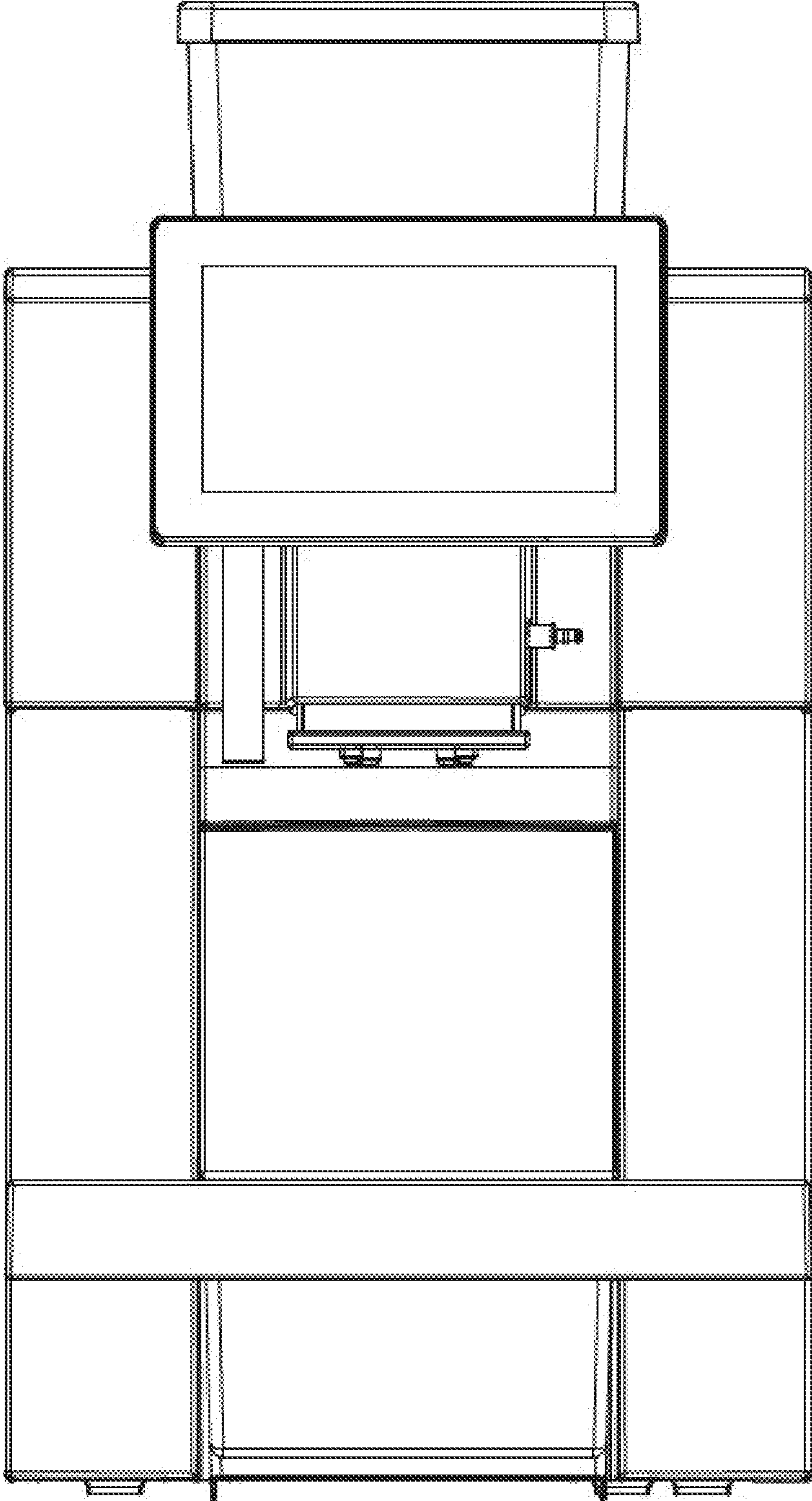
D298,401 S * 11/1988 Freeh D7/311
D413,757 S * 9/1999 Viguer Munoz D7/311
D445,292 S * 7/2001 Sowden D7/311
D586,603 S * 2/2009 Borin D7/309
D728,295 S * 5/2015 De'Longhi D7/311
D821,132 S * 6/2018 Cometti D7/311
D823,037 S * 7/2018 Gebhardt D7/311

- 1. Coffee maker
- 1.1 : Front
- 1.2 : Back
- 1.3 : Top
- 1.4 : Left
- 1.5 : perspective view left
- 1.6 : perspective view right
- 1.7 : Right

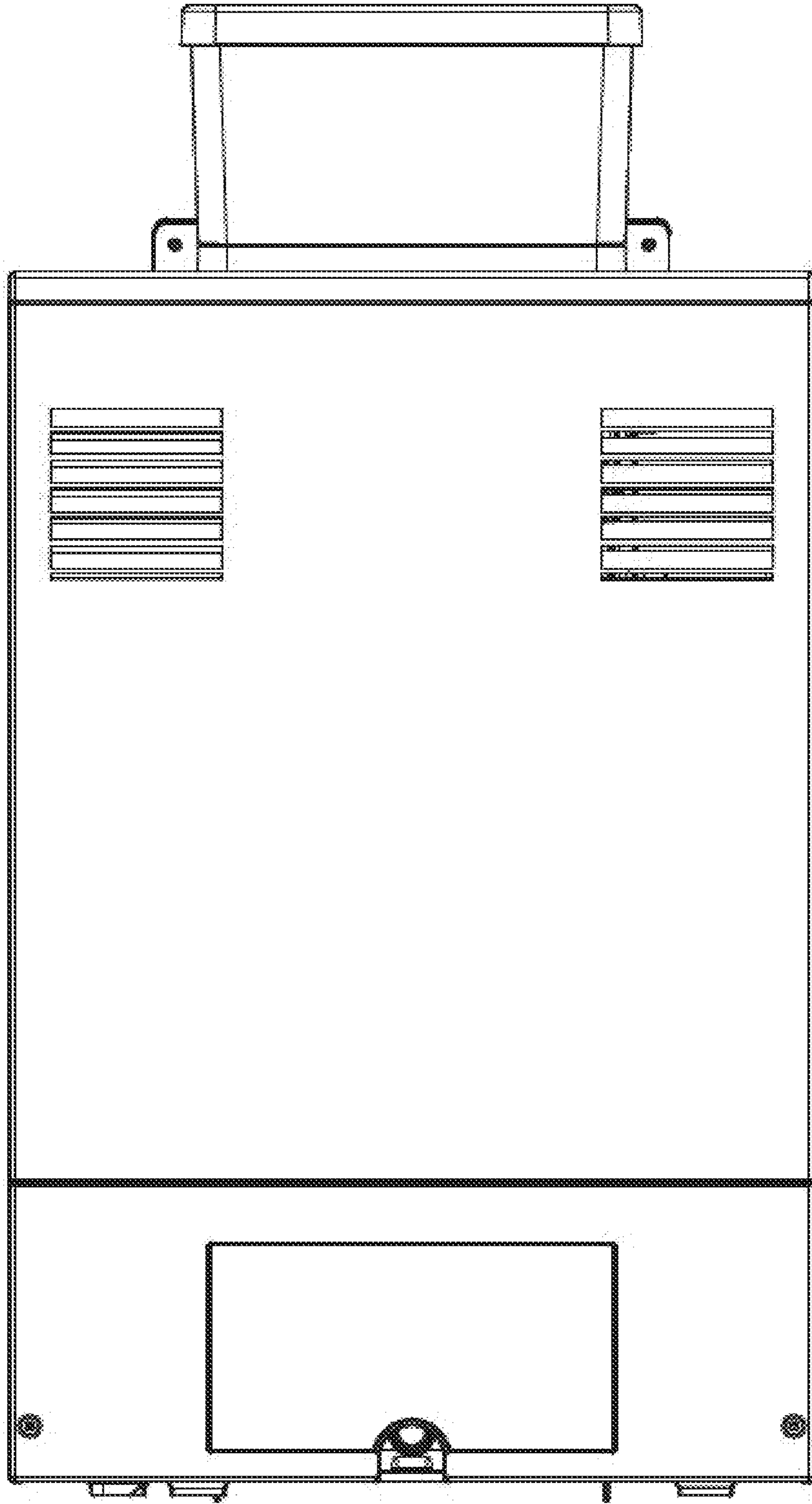
1 Claim, 7 Drawing Sheets



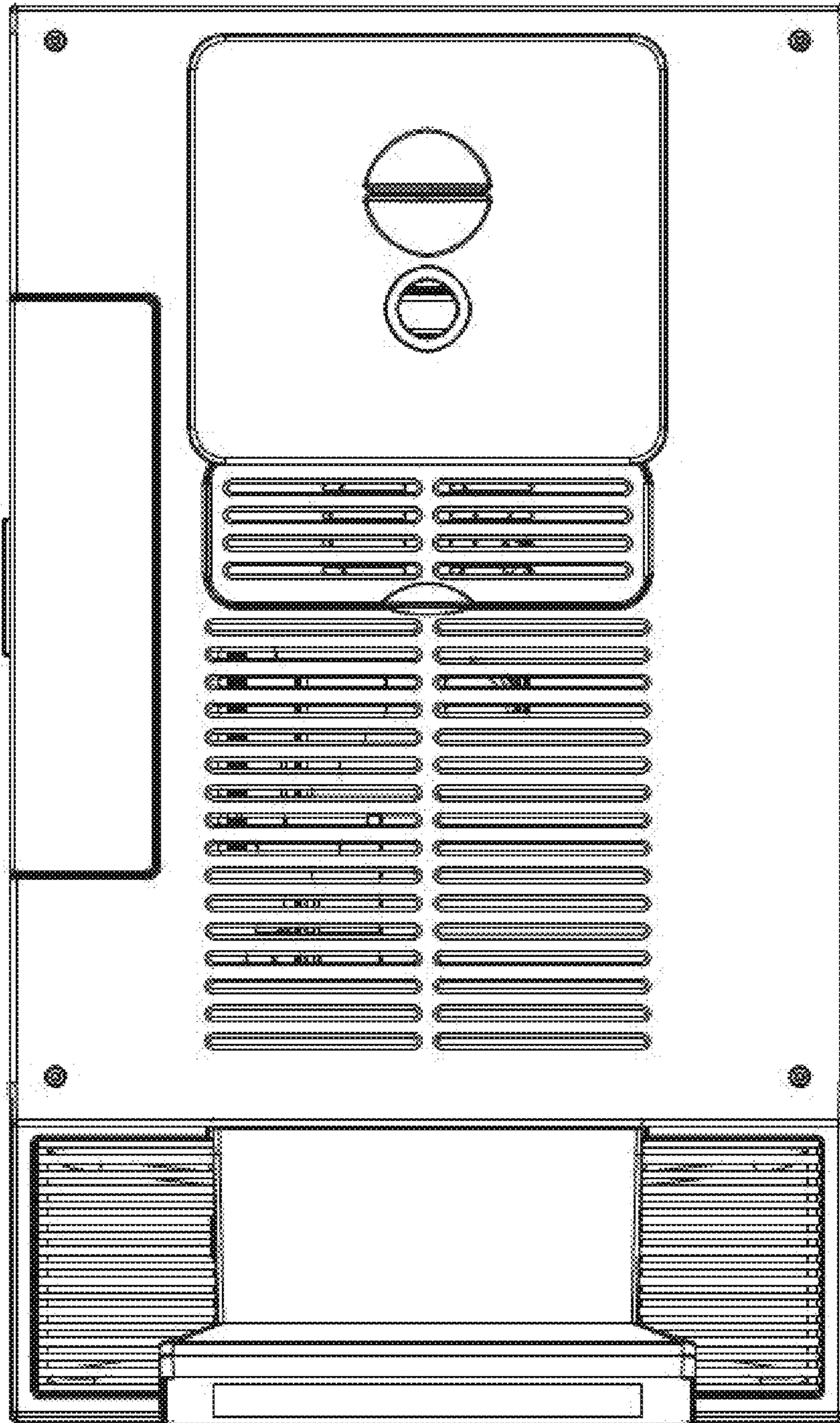
1.1



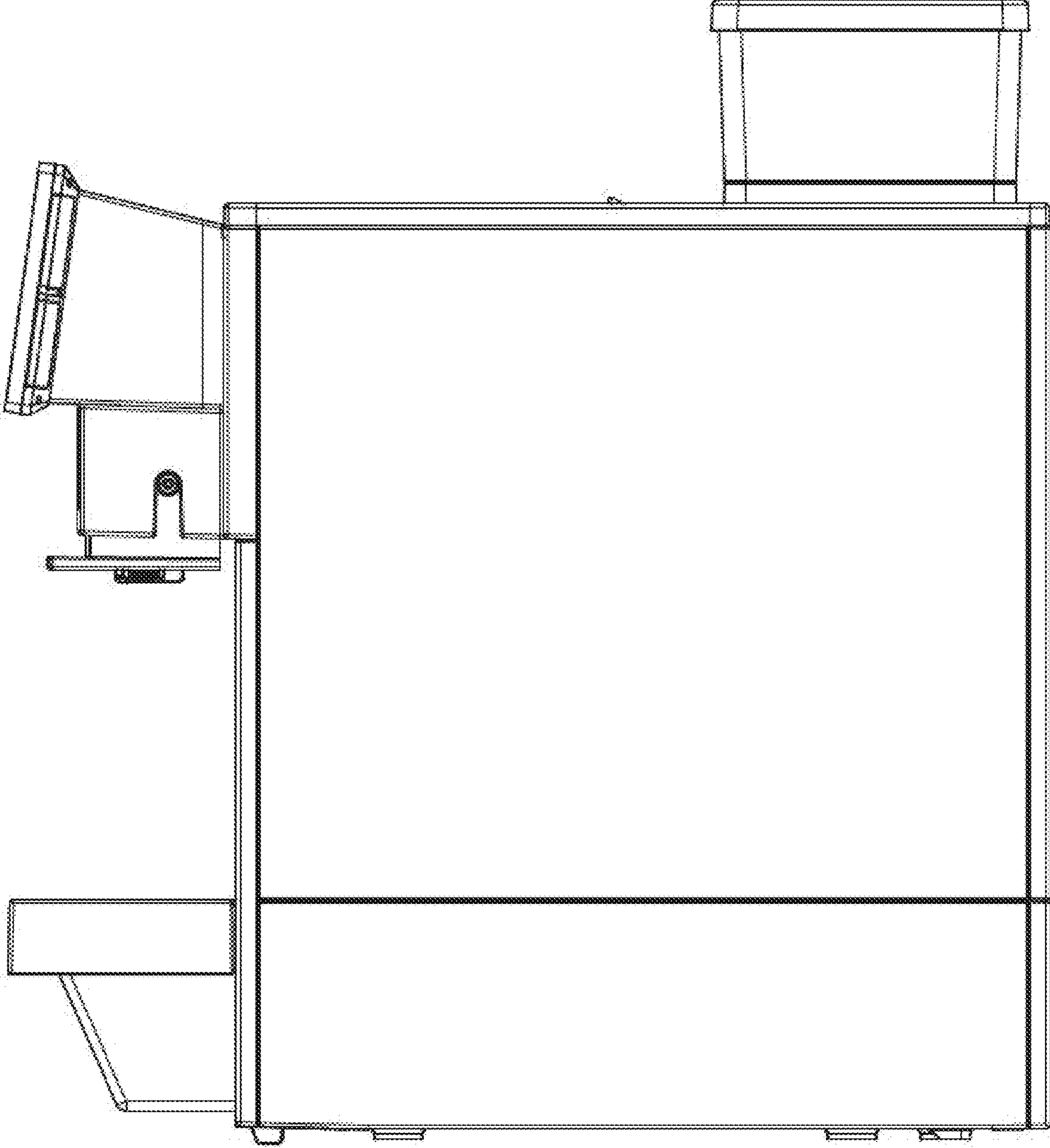
1.2



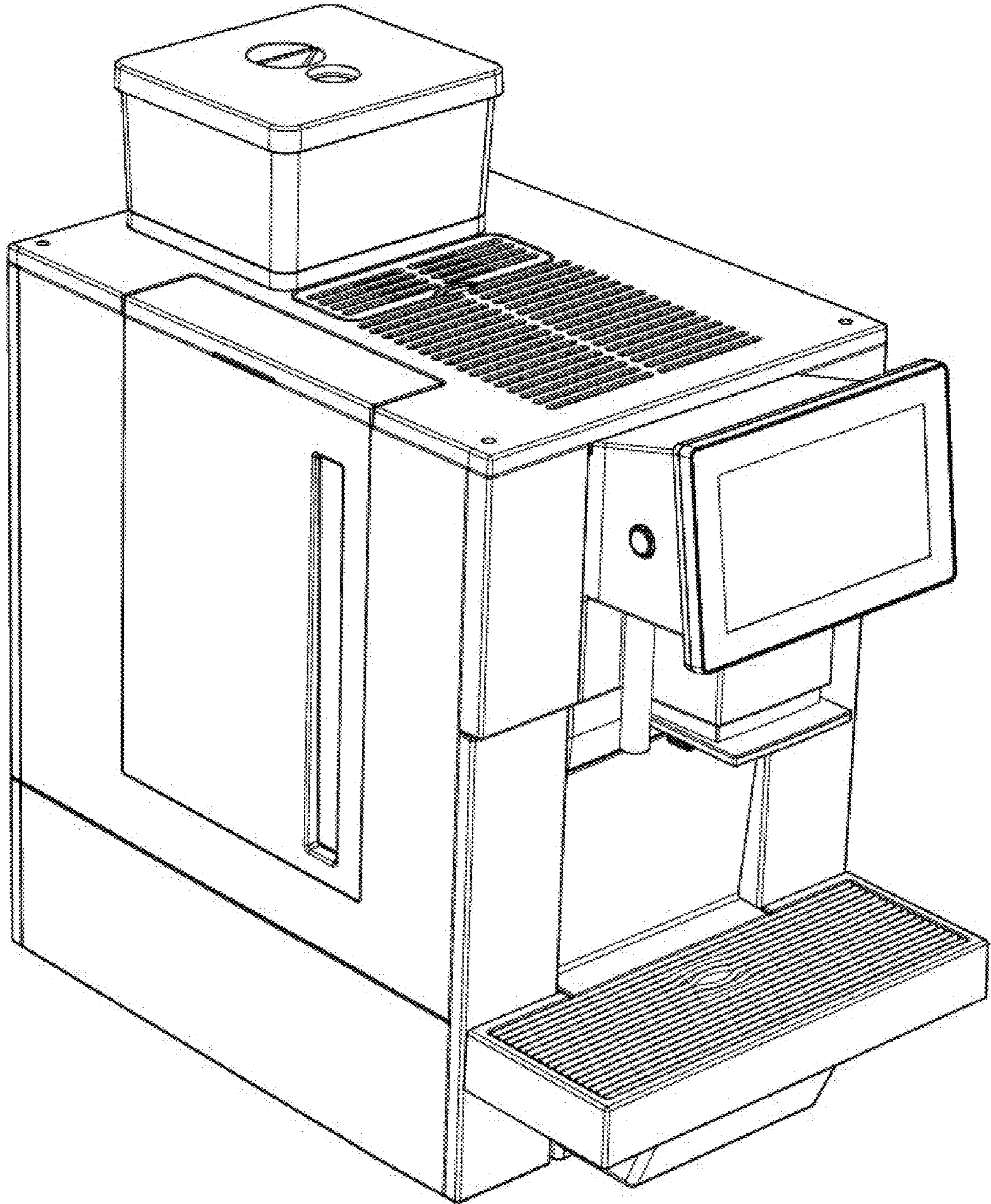
1.3



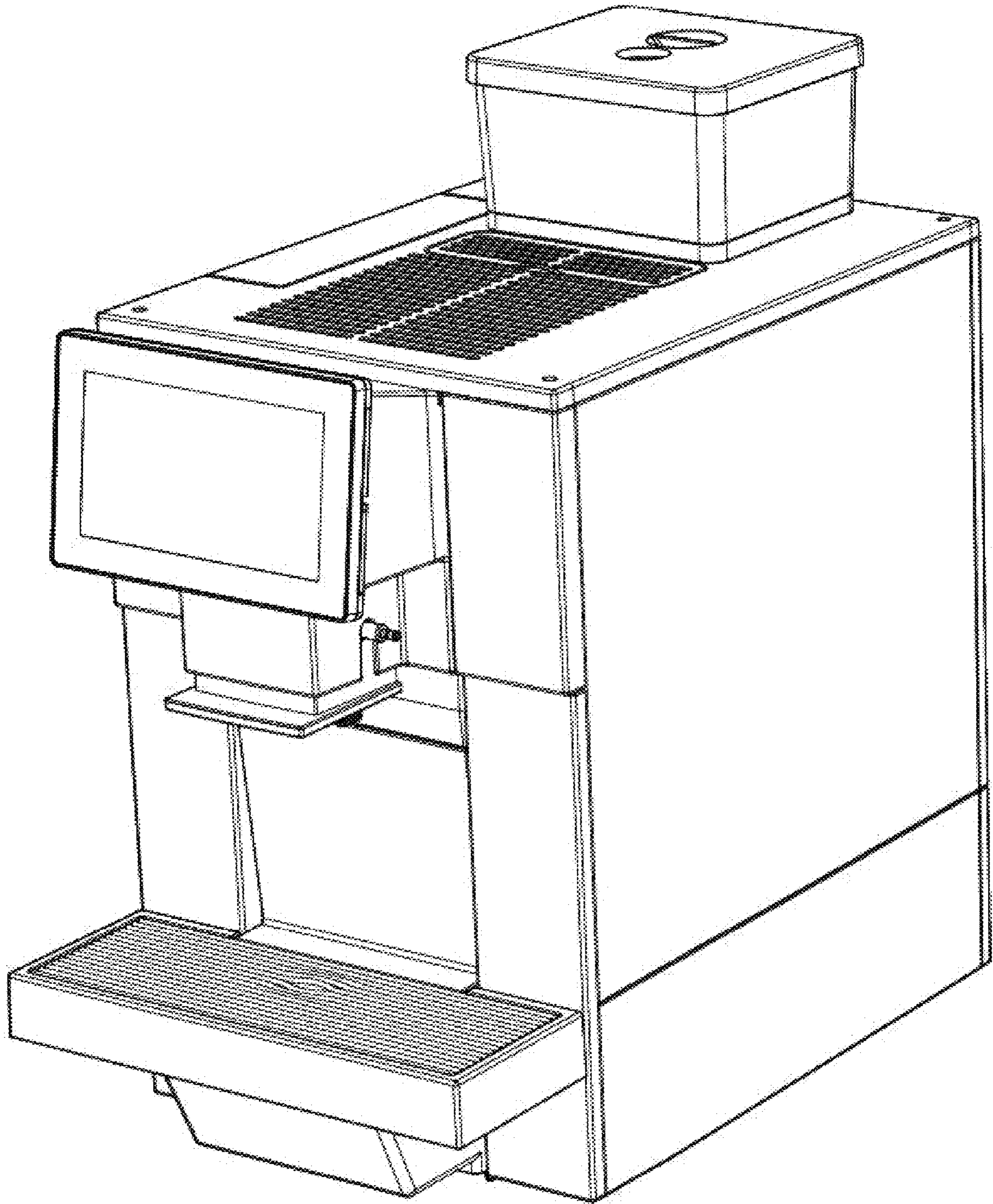
1.4



1.5



1.6



1.7

