



US00D974093S

(12) **United States Design Patent**
Suttie et al.

(10) **Patent No.:** **US D974,093 S**
(45) **Date of Patent:** **** Jan. 3, 2023**

(54) **CONVERTIBLE FRAME FOR MOSES BASKET, HIGHCHAIR, OR COT**

FOREIGN PATENT DOCUMENTS

(71) Applicant: **Pennsutt Limited**, Edinburgh (GB)

CN 105774883 7/2016
FR 2323357 4/1977

(Continued)

(72) Inventors: **John Suttie**, Edinburgh (GB); **Niall Slater**, Glasgow (GB); **Alan Suttie**, Glasgow (GB); **June Pennykid**, Edinburgh (GB)

OTHER PUBLICATIONS

International Search Report for International Application No. PCT/GB2018/052952.

(Continued)

(73) Assignee: **PENNSUTT LIMITED**, Edinburgh (GB)

Primary Examiner — Catherine Ho

(**) Term: **15 Years**

(74) *Attorney, Agent, or Firm* — Liu & Liu

(21) Appl. No.: **35/510,624**

(57) **CLAIM**

The ornamental design for a convertible frame for moses basket, highchair, or cot, as shown and described.

(22) Filed: **Apr. 17, 2020**

DESCRIPTION

(80) **Hague Agreement Data**

Int. Filing Date: **Apr. 17, 2020**

Int. Reg. No.: **DM/208812**

Int. Reg. Date: **Apr. 17, 2020**

Int. Reg. Pub. Date: **Oct. 23, 2020**

(51) **LOC (14) Cl.** **06-06**

(52) **U.S. Cl.**
USPC **D6/715**

(58) **Field of Classification Search**
USPC D6/512, 513, 524, 527, 528, 535, 536,
D6/542, 550, 551, 553, 663, 664, 672,
(Continued)

- 2. Convertible frame for moses basket, highchair, or cot
 - 2.1 : Front top right perspective of a convertible frame for moses basket, highchair, or cot in an expanded position
 - 2.2 : Right view, the left view being a mirror image thereof
 - 2.3 : Front view with frame expanded, the rear view being a mirror image thereof
 - 2.4 : Top view with frame expanded
 - 2.5 : Bottom view with frame expanded
 - 2.6 : Front left perspective view of a convertible frame for moses basket, highchair, or cot in a contracted position
 - 2.7 : Perspective view of a convertible frame for moses basket, highchair, or cot in an expanded and unfolded position, the opposite perspective view being a mirror image thereof
 - 2.8 : Back top left perspective view of a convertible frame for moses basket, highchair, or cot in an expanded position
- The broken lines show portions of the article that form no part of the claimed design. The dash-dot-dash lines define the bounds of the claimed design and form no part thereof.

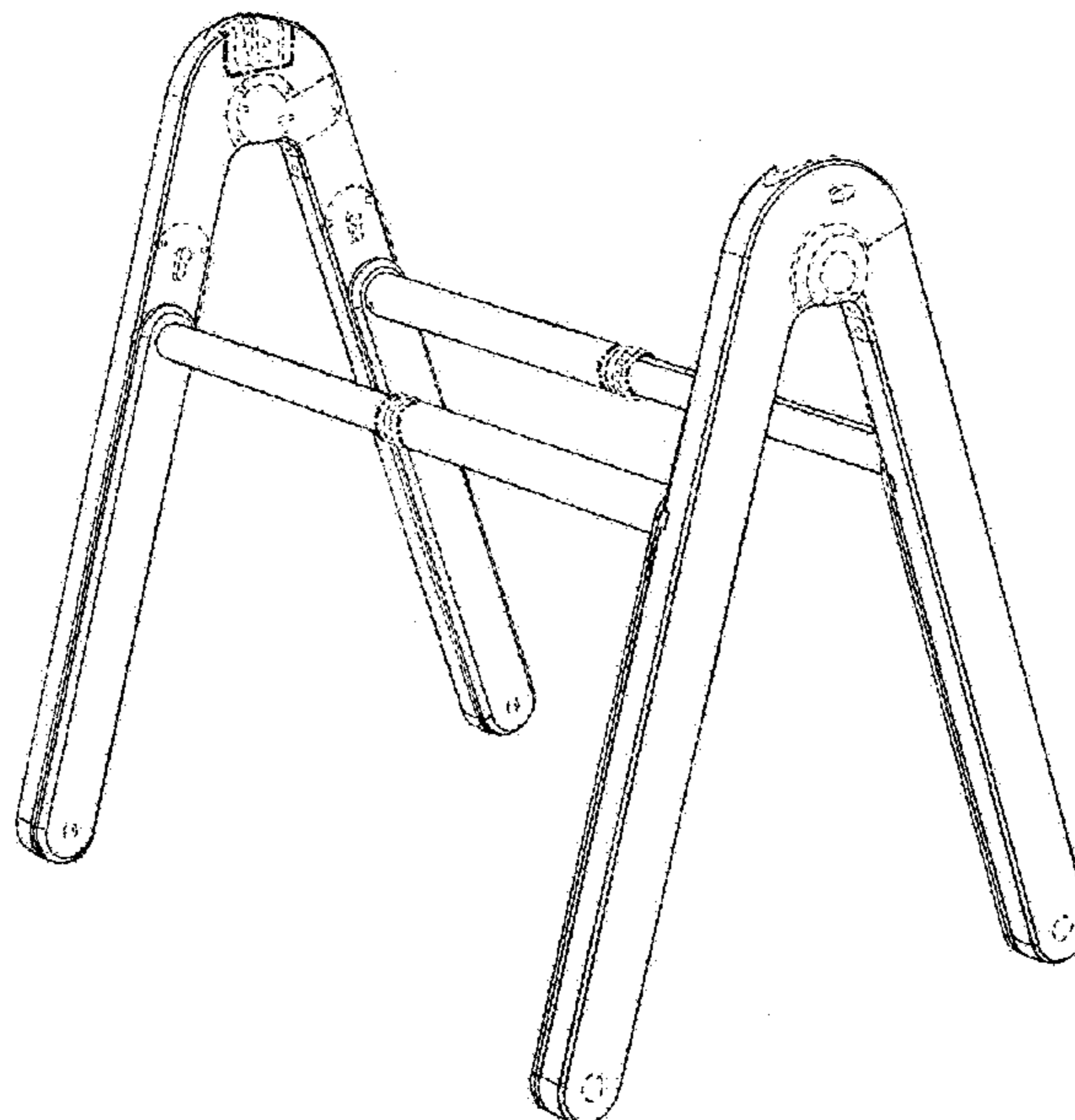
(56) **References Cited**

U.S. PATENT DOCUMENTS

2,121,100 A 6/1938 Rosenbaum
2,488,225 A 11/1949 Mover

(Continued)

1 Claim, 8 Drawing Sheets



(58) **Field of Classification Search**

USPC D6/673, 674, 675, 675.1, 675.2, 675.3,
D6/675.4, 680, 682.6, 683, 683.1, 696,
D6/697, 715, 715.1, 715.2, 717, 717.1,
D6/717.2
CPC ... A47D 1/04; A47D 1/02; A47D 1/10; A47D
1/06; A47D 1/008; A47D 1/0085; A47D
1/103; A47C 12/02

See application file for complete search history.

2013/0285421 A1* 10/2013 Huntsberger A47D 1/0081
297/174 R
2014/0014791 A1* 1/2014 Shan F16C 11/10
248/188.7
2014/0054938 A1* 2/2014 Shan A47D 1/10
297/217.1
2014/0183843 A1 7/2014 Iftinca et al.
2014/0319884 A1 10/2014 Doucette et al.
2015/0359354 A1* 12/2015 Greger A47D 1/0085
297/134
2016/0007766 A1* 1/2016 Sack A47D 1/023
297/16.1

(56) **References Cited**

U.S. PATENT DOCUMENTS

2,709,478 A 5/1955 Golding et al.
2,730,163 A 1/1956 Goldberg
2,846,700 A 5/1957 De Puy
3,115,364 A 12/1963 Berlin
4,205,669 A 6/1980 Hamann
4,455,697 A 6/1984 Rovida
4,671,566 A 6/1987 Knapp et al.
D332,882 S * 2/1993 Graves D17/99
D357,828 S * 5/1995 Liao D6/682.6
D366,967 S 2/1996 Meeker et al.
6,006,376 A 12/1999 Williamson
6,089,653 A 7/2000 Hotaling et al.
D436,465 S * 1/2001 Berkman D17/99
D473,384 S * 4/2003 Ingles D17/99
7,017,924 B1 3/2006 Lambert
8,240,765 B2* 8/2012 Kennedy A47D 1/103
297/338
D737,063 S 8/2015 Lin et al.
9,693,636 B2* 7/2017 Yang A47D 1/00
D810,488 S * 2/2018 Riggs D6/717
2008/0034498 A1 2/2008 Chen et al.
2008/0290699 A1 11/2008 Golias
2011/0067181 A1 3/2011 Luzzi

2016/0037941 A1 2/2016 Windenberger
2017/0188709 A1 7/2017 Bergling
2017/0238721 A1 8/2017 Damiani
2017/0251826 A1* 9/2017 Sclare A47D 1/10
2019/0059609 A9* 2/2019 Sclare A47D 1/10
2020/0165870 A1* 5/2020 Moss E06C 7/42
2020/0170419 A1* 6/2020 Sclare A47D 1/10
2021/0037989 A1* 2/2021 Rogers A47C 12/02
2021/0186232 A1* 6/2021 Suttie A47D 1/006

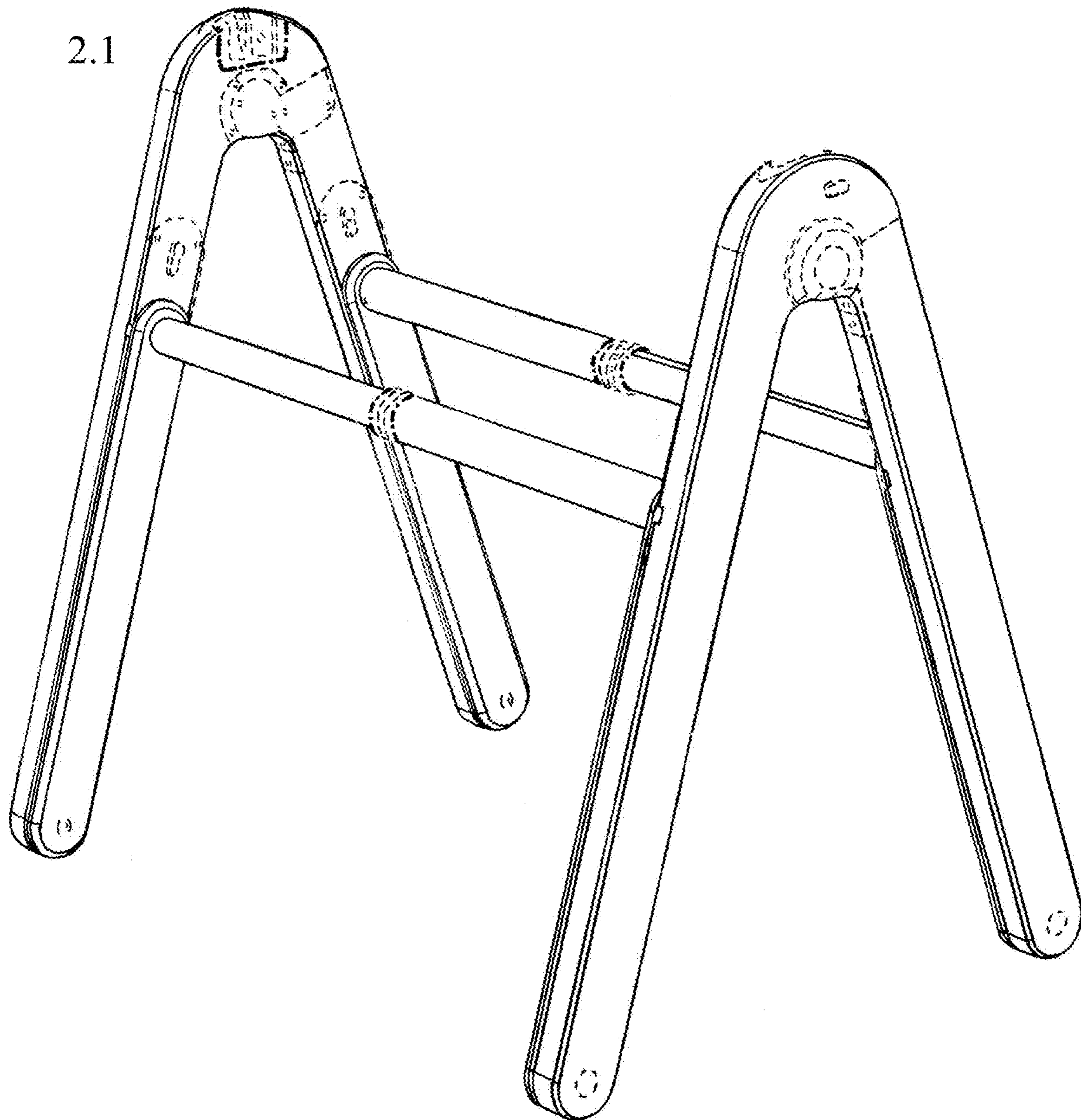
FOREIGN PATENT DOCUMENTS

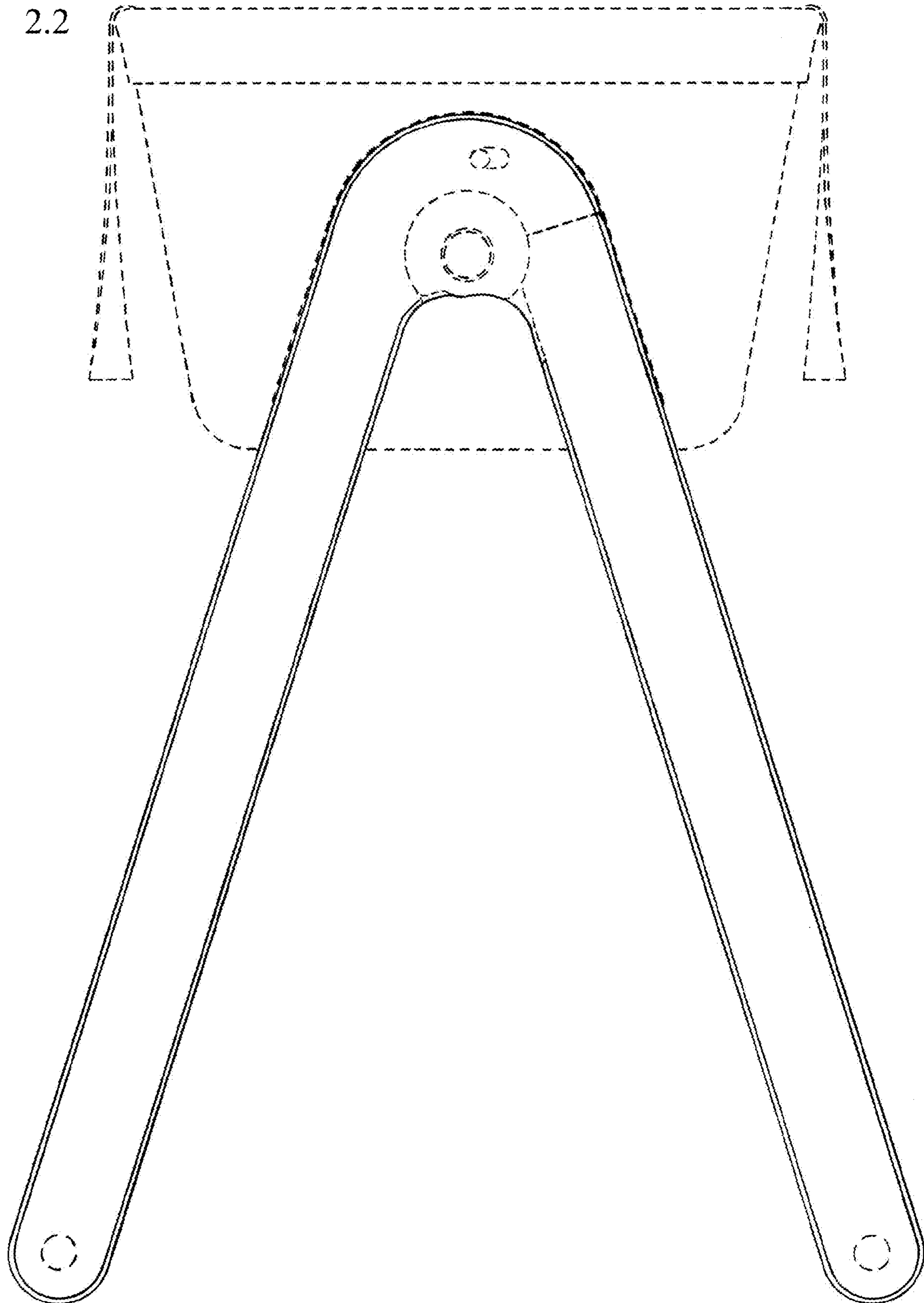
GB	190719775	6/1908
GB	190719362	7/1908
GB	258398	9/1926
GB	2186793	8/1987
WO	2011106855	9/2011

OTHER PUBLICATIONS

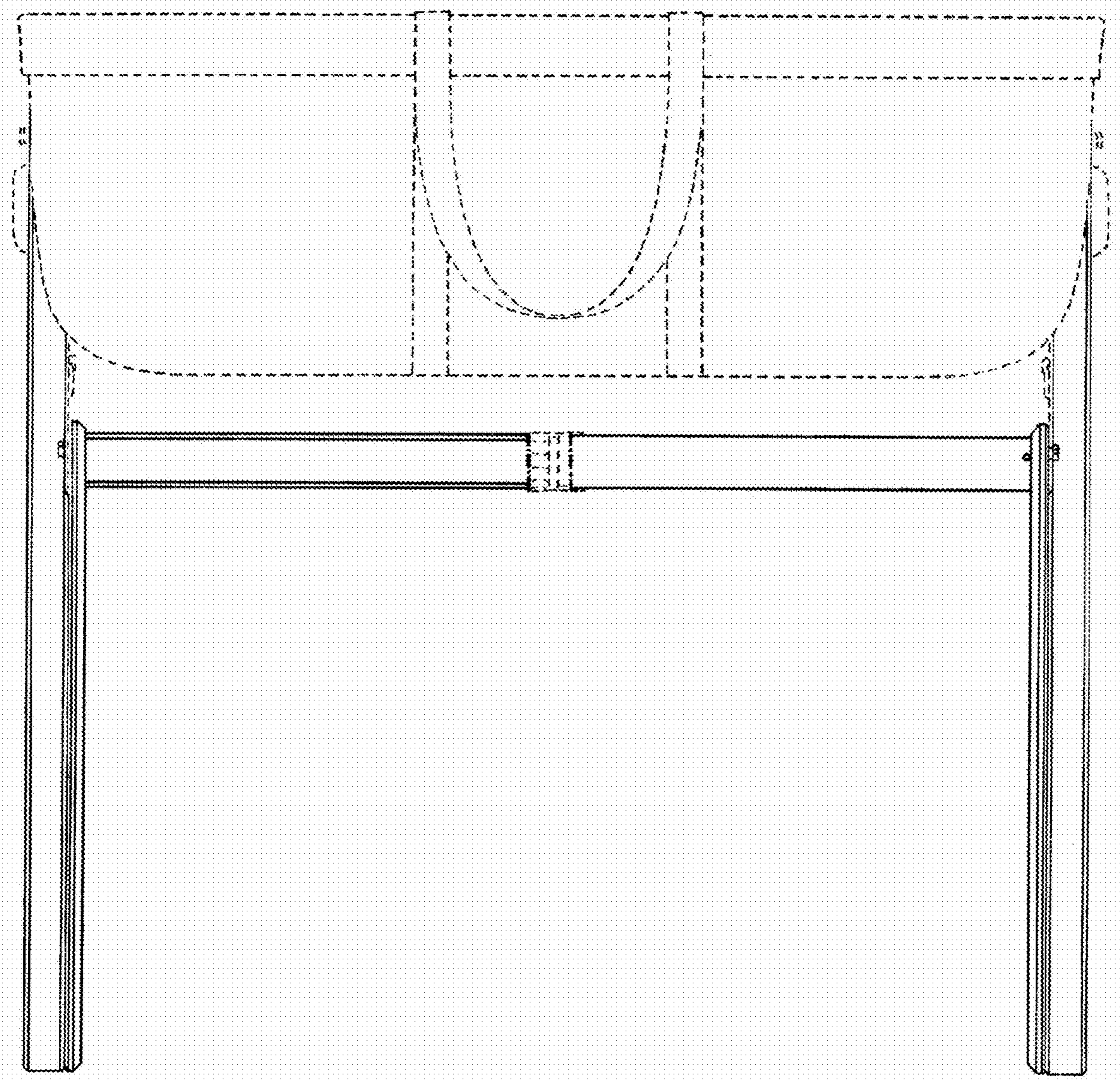
Certificate of Registration for EP Registered Community Design
No. 001919101-0002, Registration Date Sep. 18, 2011, Babies'
Chairs, pp. 1-3.

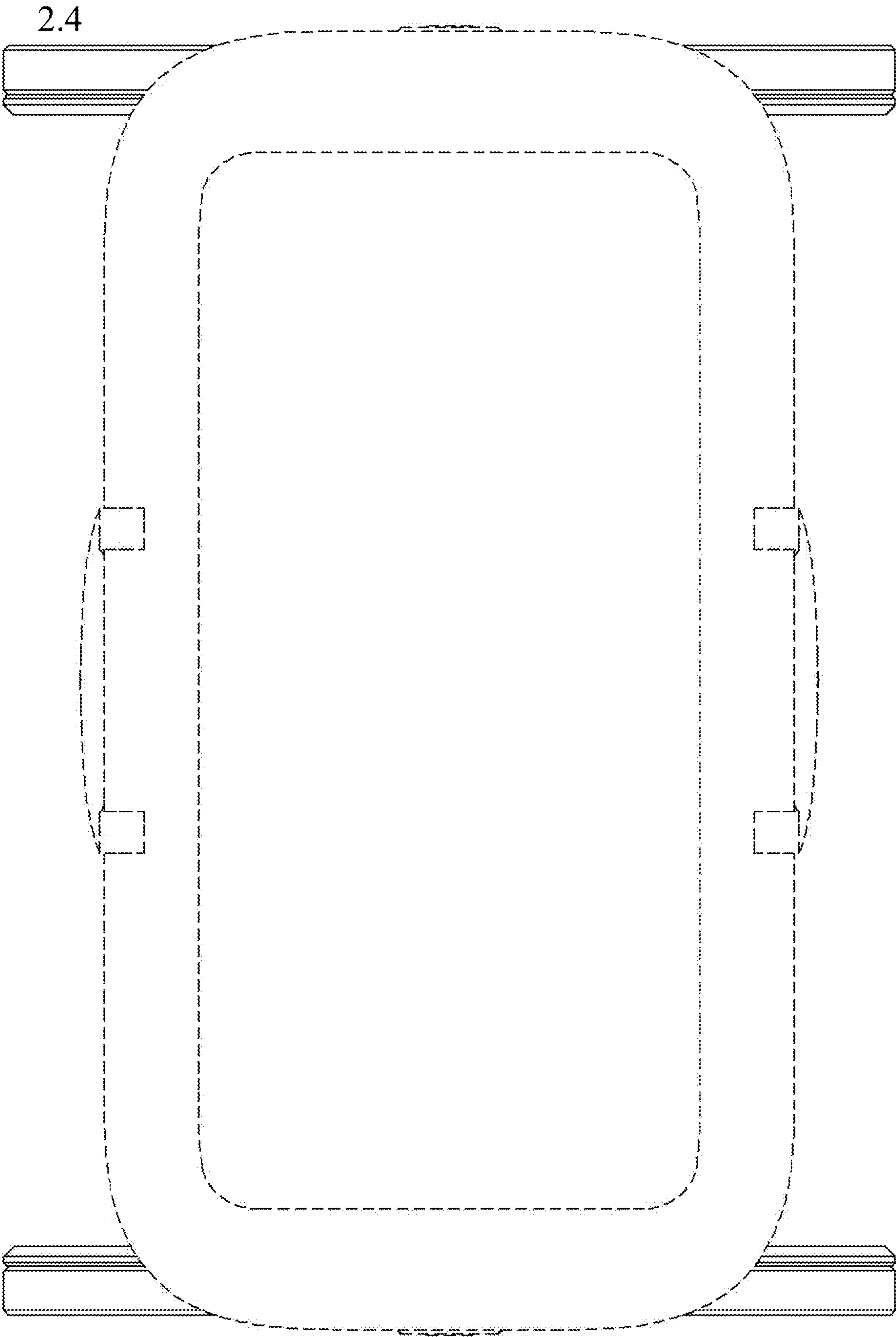
* cited by examiner



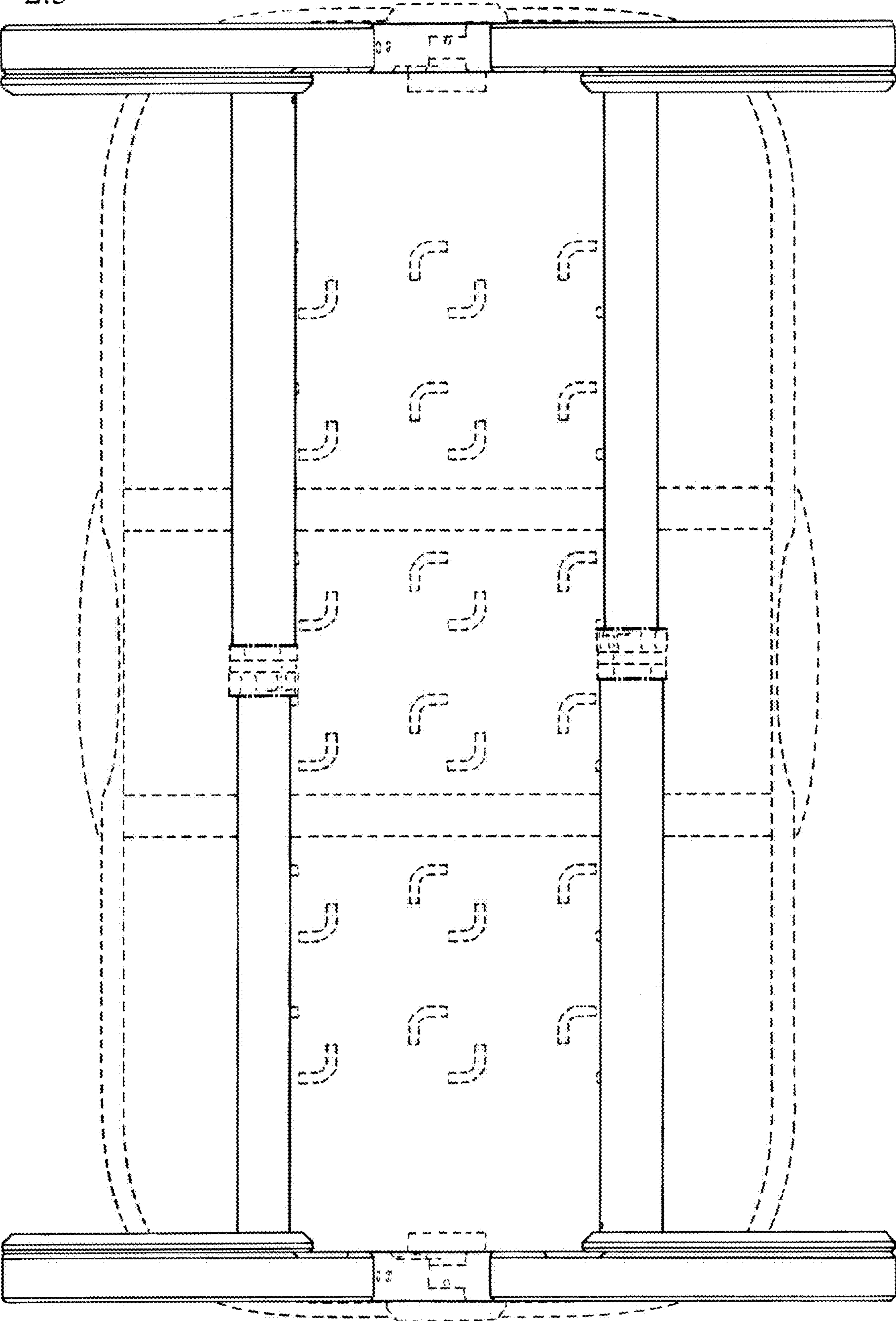


2.3

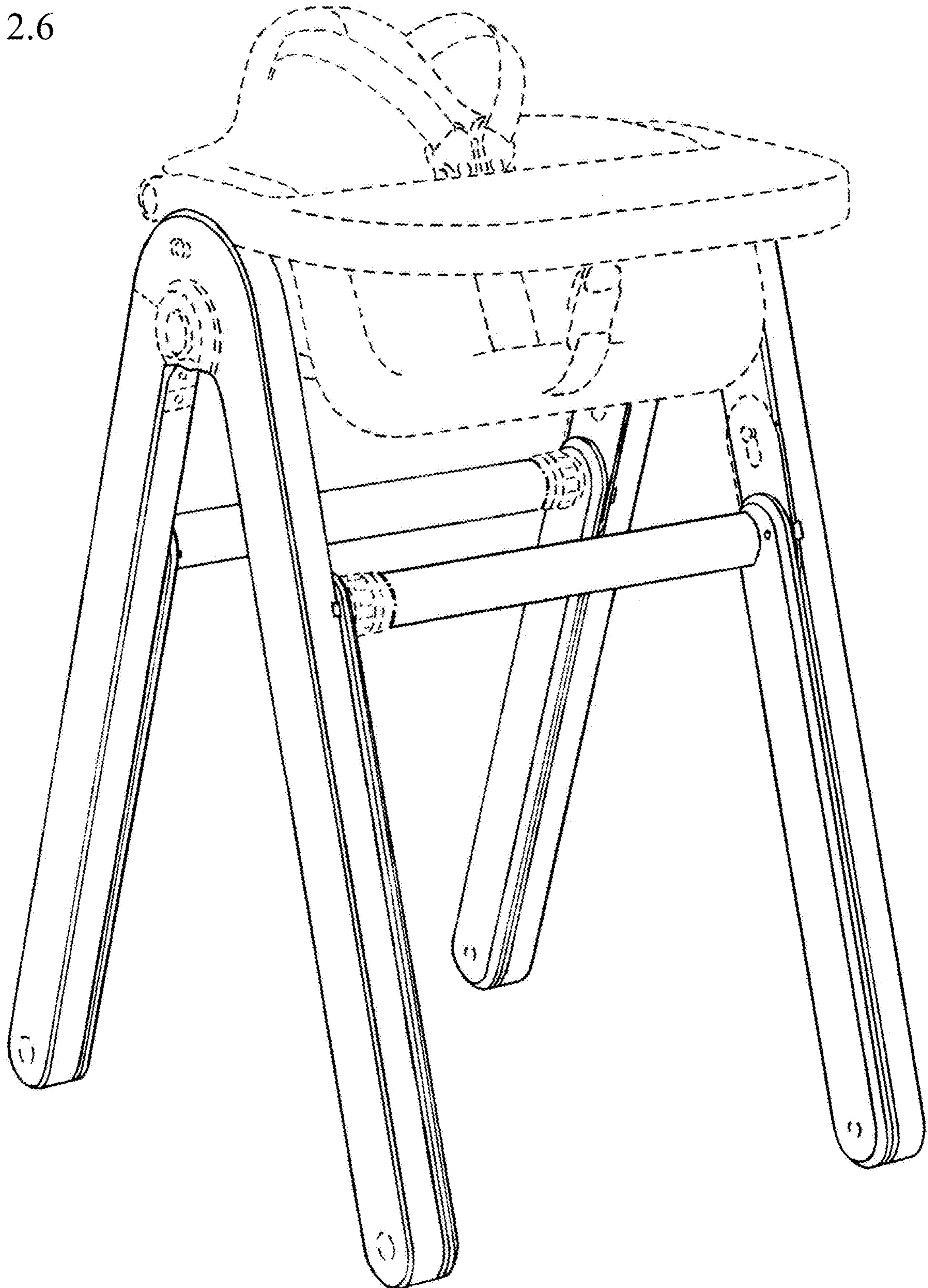




2.5



2.6



2.7

