



US00D974092S

(12) **United States Design Patent**
Zhuang

(10) **Patent No.:** **US D974,092 S**
(45) **Date of Patent:** **** Jan. 3, 2023**

- (54) **ROUND-BOTTOM CHAIR BASE**
- (71) Applicant: **Weisheng Zhuang**, Guangdong (CN)
- (72) Inventor: **Weisheng Zhuang**, Guangdong (CN)
- (**) Term: **15 Years**
- (21) Appl. No.: **29/826,468**
- (22) Filed: **Feb. 12, 2022**
- (51) **LOC (14) Cl.** **06-06**
- (52) **U.S. Cl.**
USPC **D6/708**
- (58) **Field of Classification Search**
USPC D6/347, 374, 708, 708.16, 708.17,
D6/708.19, 708.2
CPC ... A63G 1/20; A63G 9/00; A63G 9/04; A63G
9/14; A61G 7/1051; A61G 7/1059; A45F
3/26; A45F 3/24; A47D 13/02; A47D
13/107; A47D 9/02; A47C 3/0255; A47C
3/023; A47C 3/12; A47C 5/02; A47C
5/10
See application file for complete search history.

- (56) **References Cited**
U.S. PATENT DOCUMENTS
D522,260 S * 6/2006 Strachan D6/347
D751,307 S 3/2016 Pena
D897,123 S * 9/2020 Tan D6/347
D897,701 S * 10/2020 Tan D6/347
D903,391 S 12/2020 Chen
D929,137 S * 8/2021 Shen D6/347
D931,629 S * 9/2021 Xie D6/347
D931,630 S * 9/2021 Burks D6/347

D935,205 S * 11/2021 Xie D6/347
2020/0367653 A1 * 11/2020 Xuemin A47C 3/0255
2022/0183467 A1 * 6/2022 Sze A45F 3/26

OTHER PUBLICATIONS

“Tuansheng 78.74 Inch Height Stand and Wide Round Base” May 25, 2021, amazon.com, site visited Aug. 19, 2022 <https://www.amazon.com/TUANSHENG-Powder-Coated-Construction-Hardware-Included/dp/B08RJDWKQ7/ref=cm_cr_arp_d_product_top?ie=UTF8> (Year: 2021).*

* cited by examiner

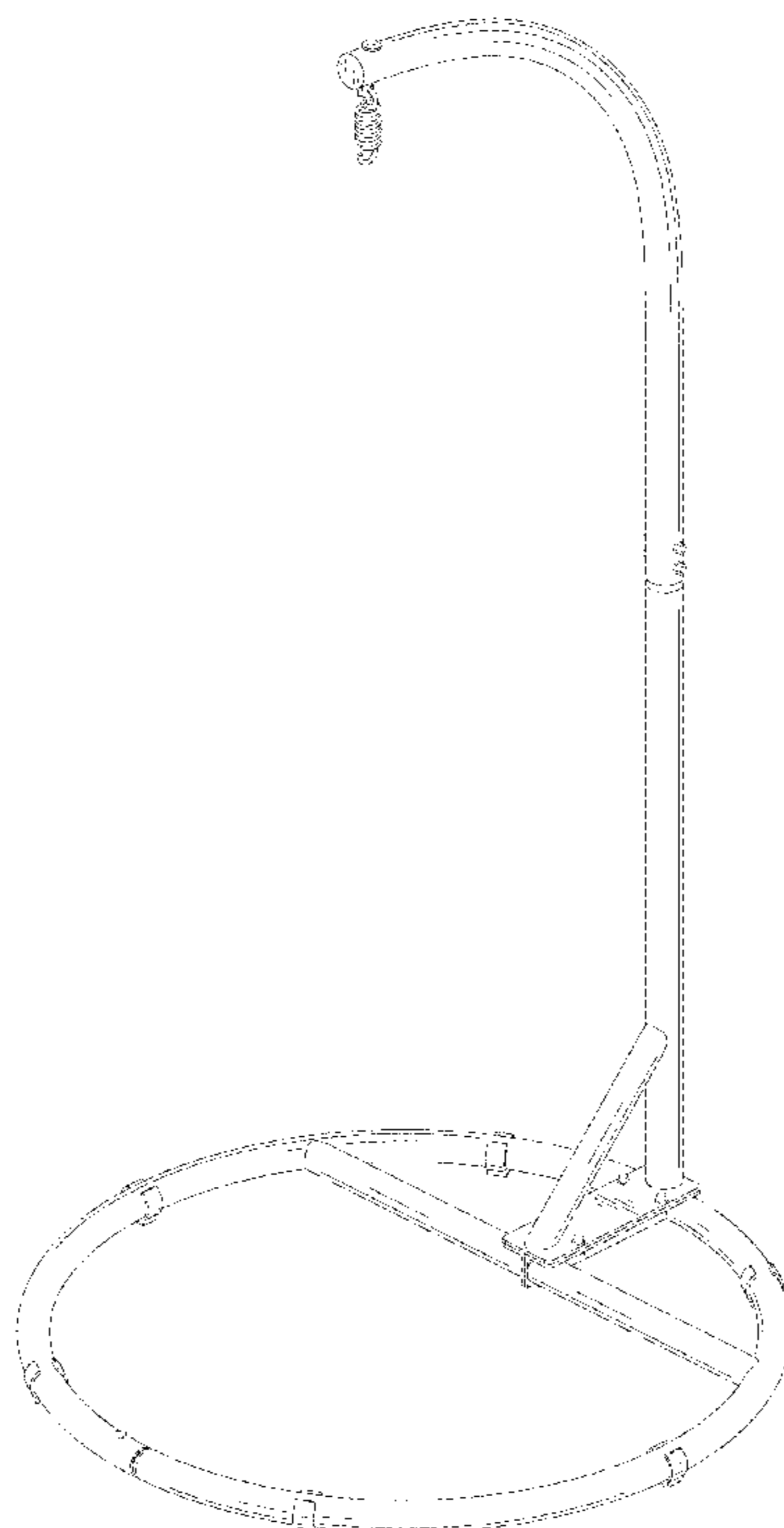
Primary Examiner — Kevin K Rudzinski
Assistant Examiner — Paul D Bohannon
(74) *Attorney, Agent, or Firm* — Che-Yang Chen; Law Office of Michael Chen

(57) **CLAIM**
The ornamental design for a round-bottom chair base, as shown and described.

DESCRIPTION

FIG. 1 is a perspective view of the round-bottom chair base showing my new design;
FIG. 2 is a perspective view thereof from another angle;
FIG. 3 is a front elevational view thereof;
FIG. 4 is a rear elevational view thereof;
FIG. 5 is a left side elevational view thereof;
FIG. 6 is a right side elevational view thereof;
FIG. 7 is a top plan view thereof;
FIG. 8 is a bottom plan view thereof; and,
FIG. 9 is a partial enlarged view of portion 9 in FIG. 2.

1 Claim, 9 Drawing Sheets



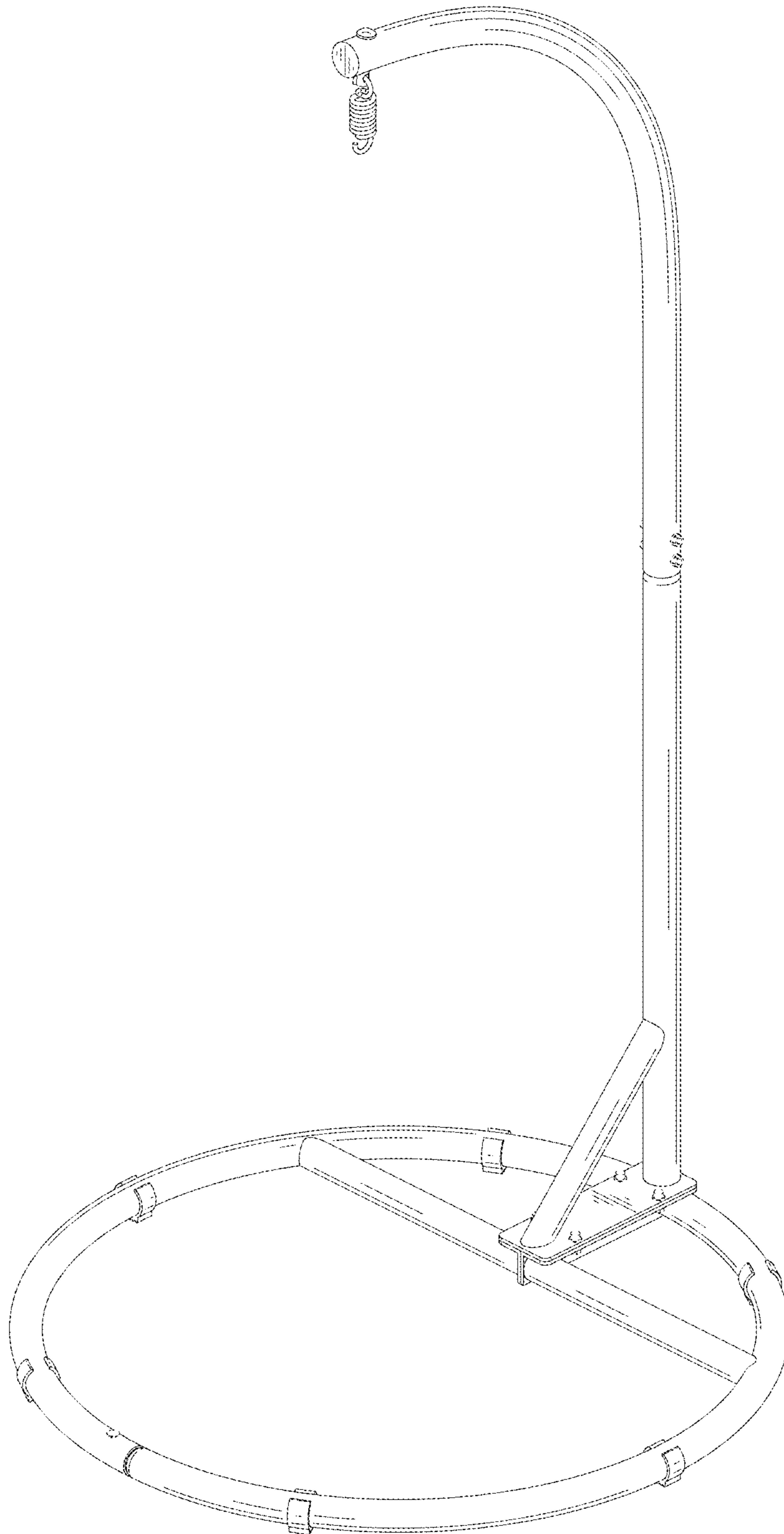


FIG. 1

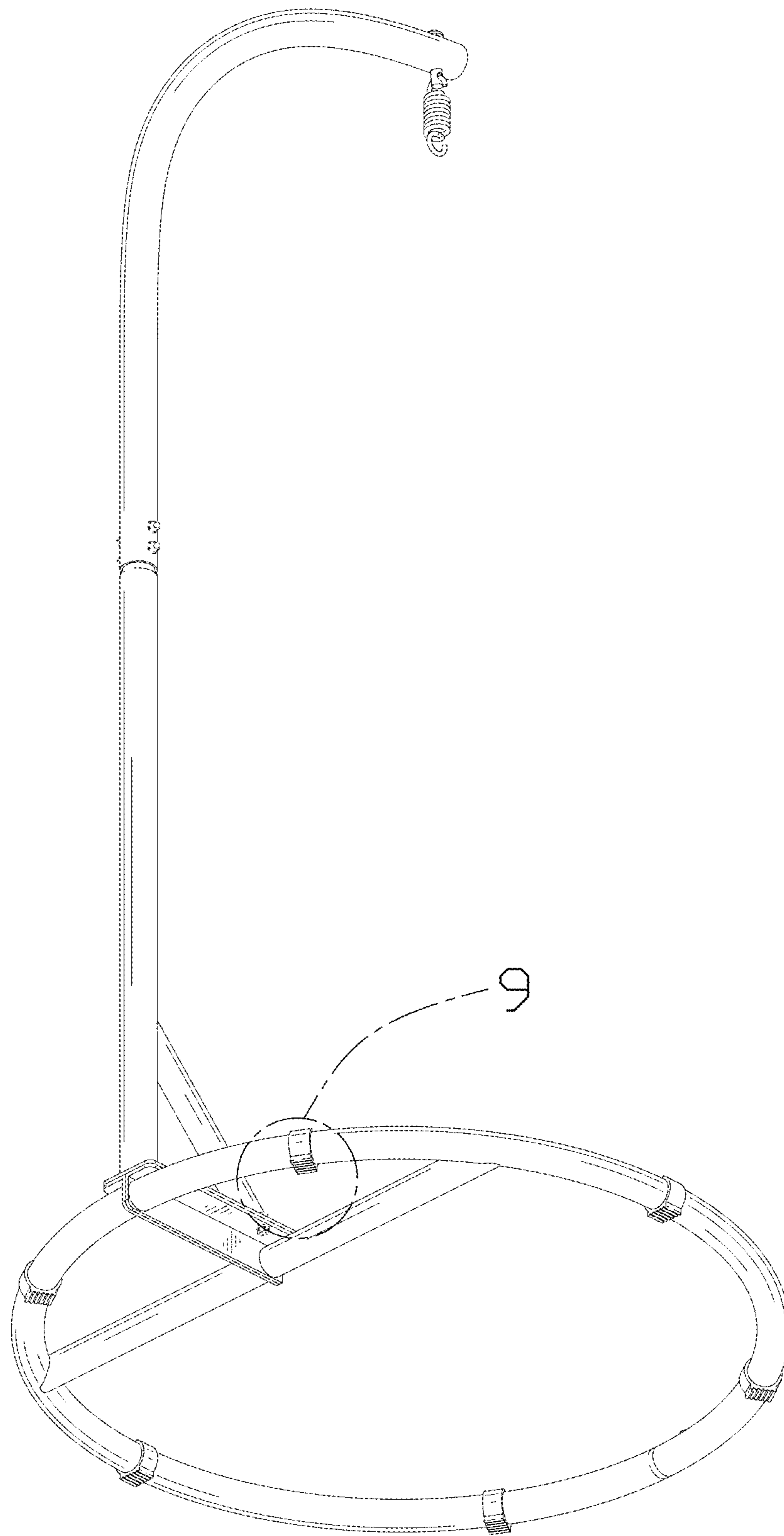


FIG. 2

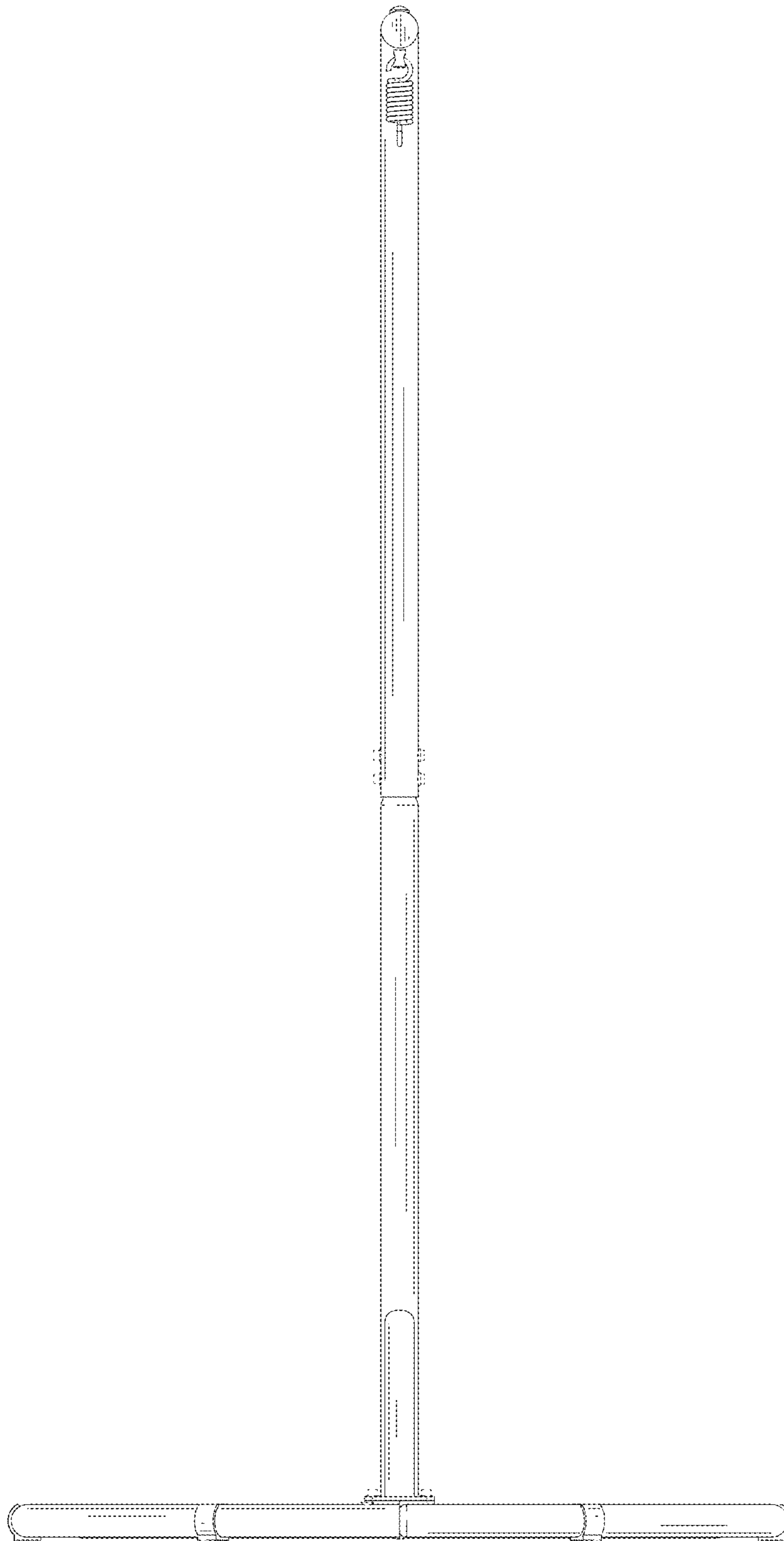


FIG. 3

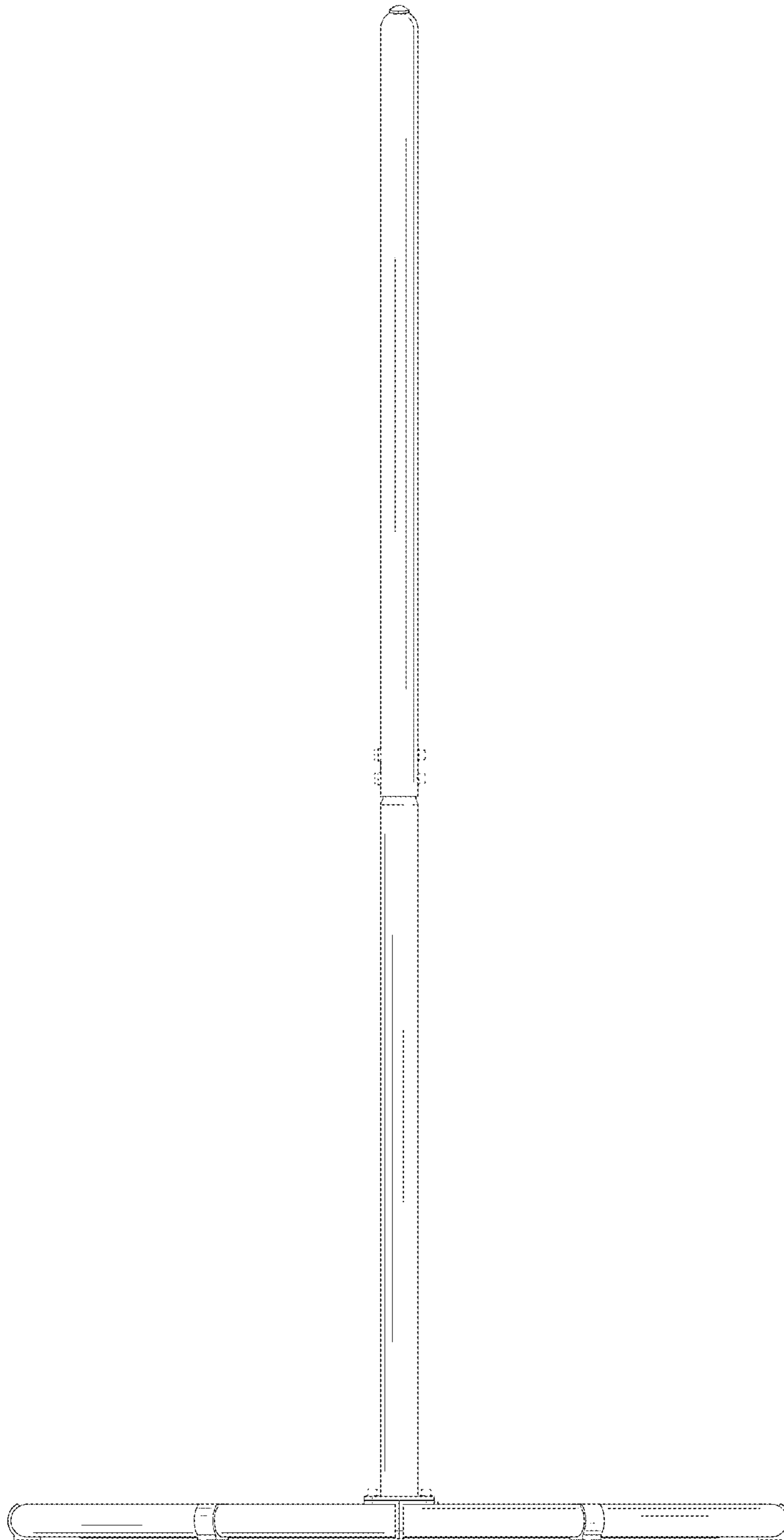


FIG. 4

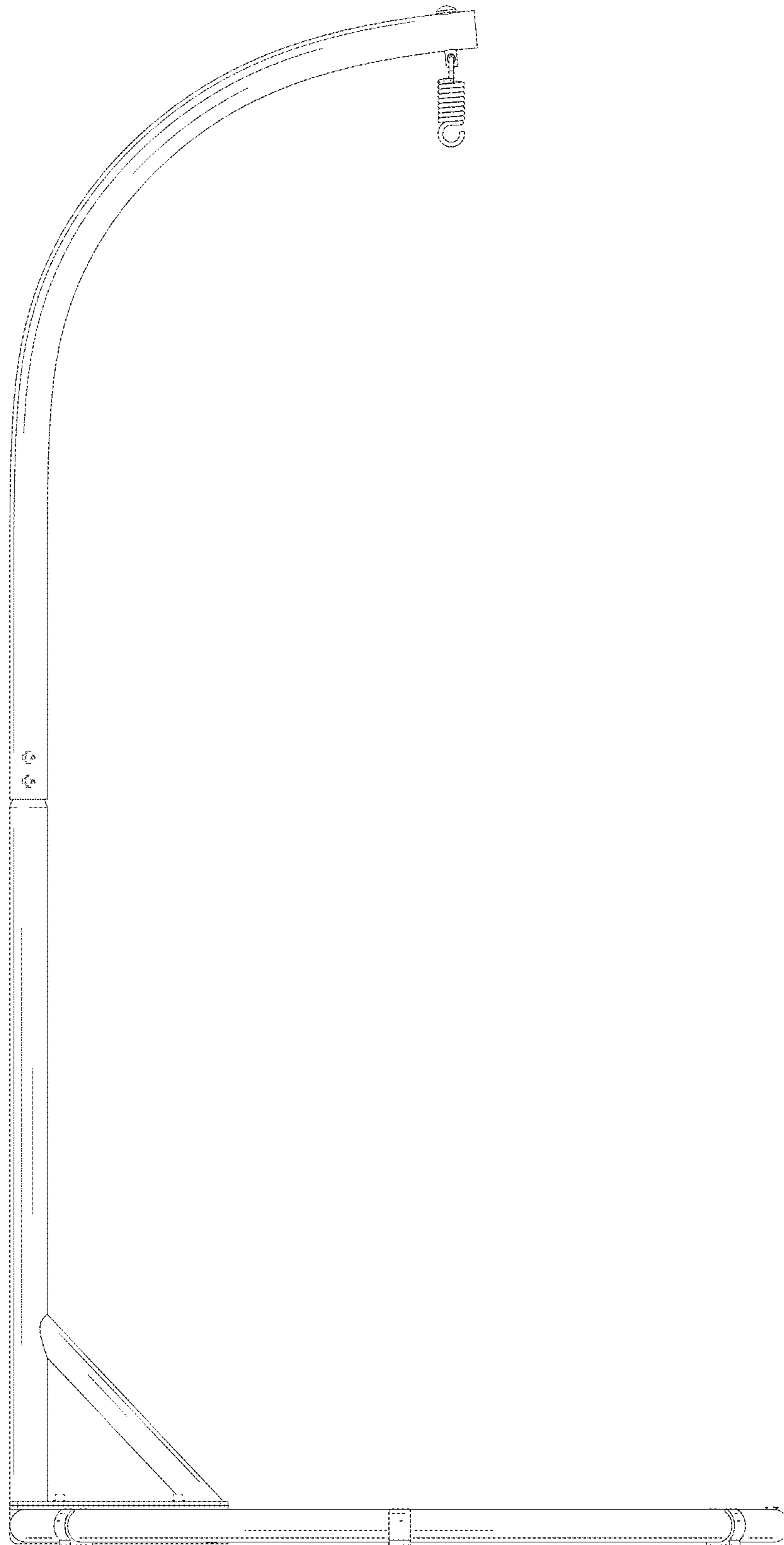


FIG. 5

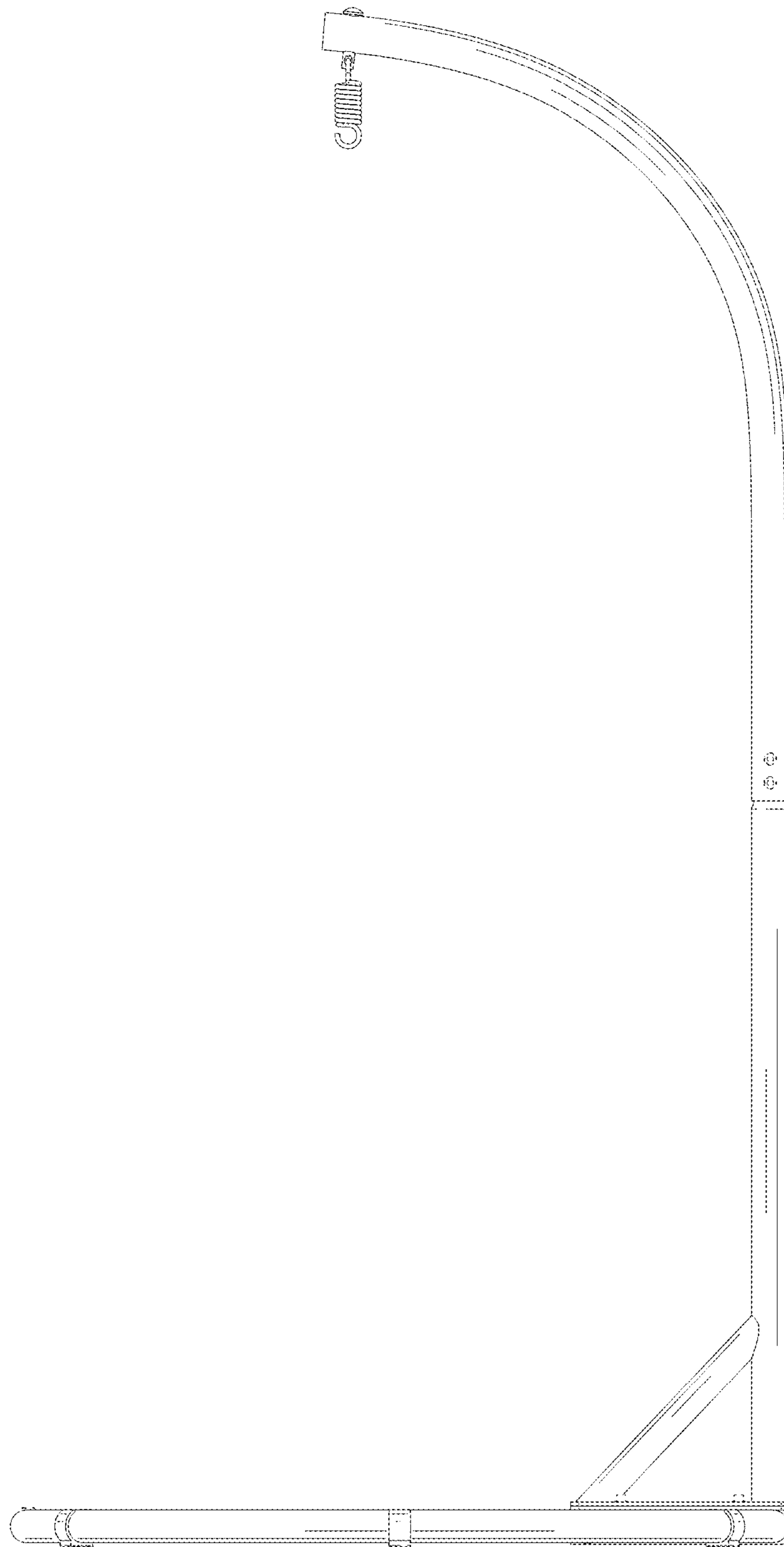


FIG. 6

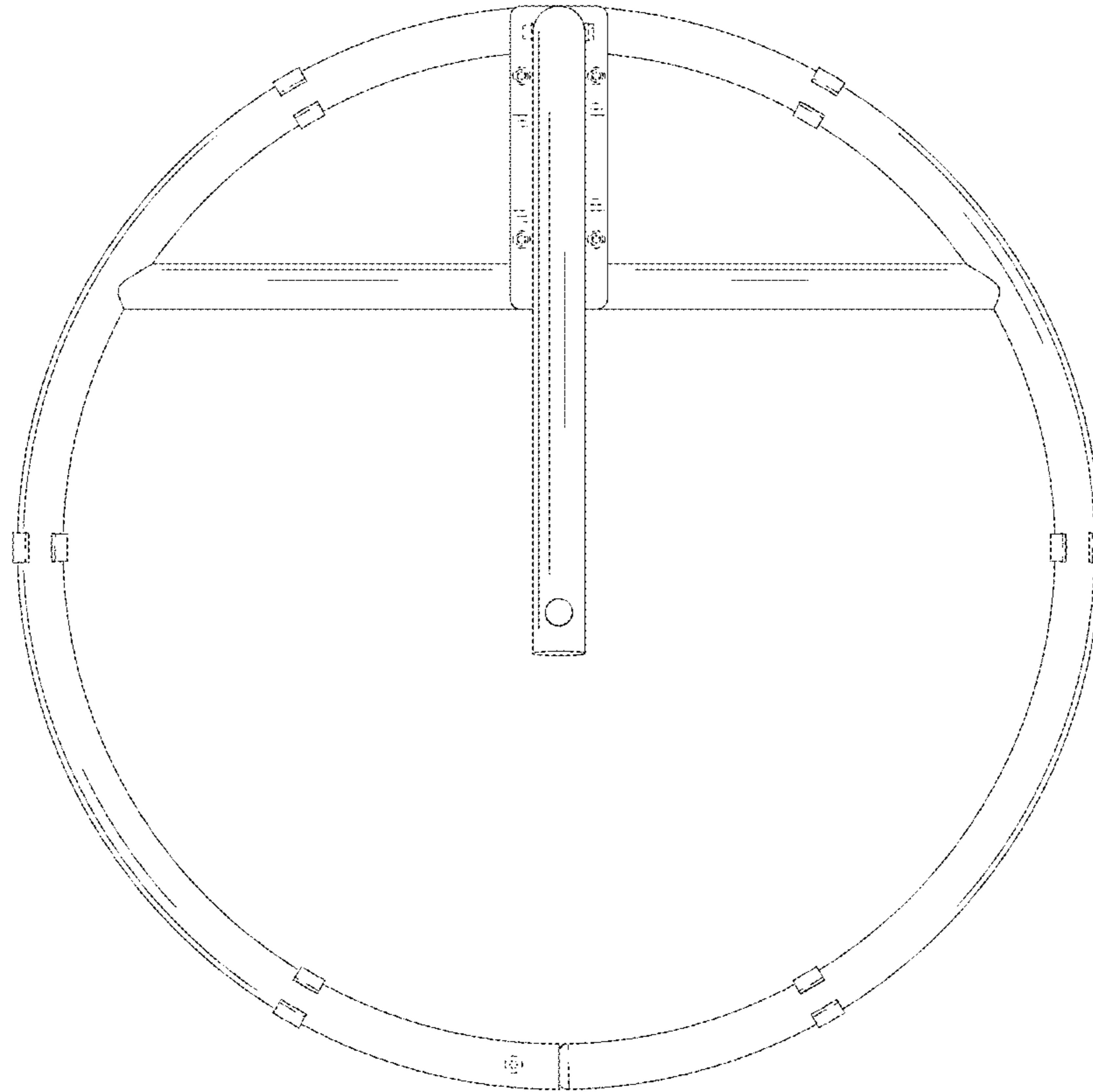


FIG. 7

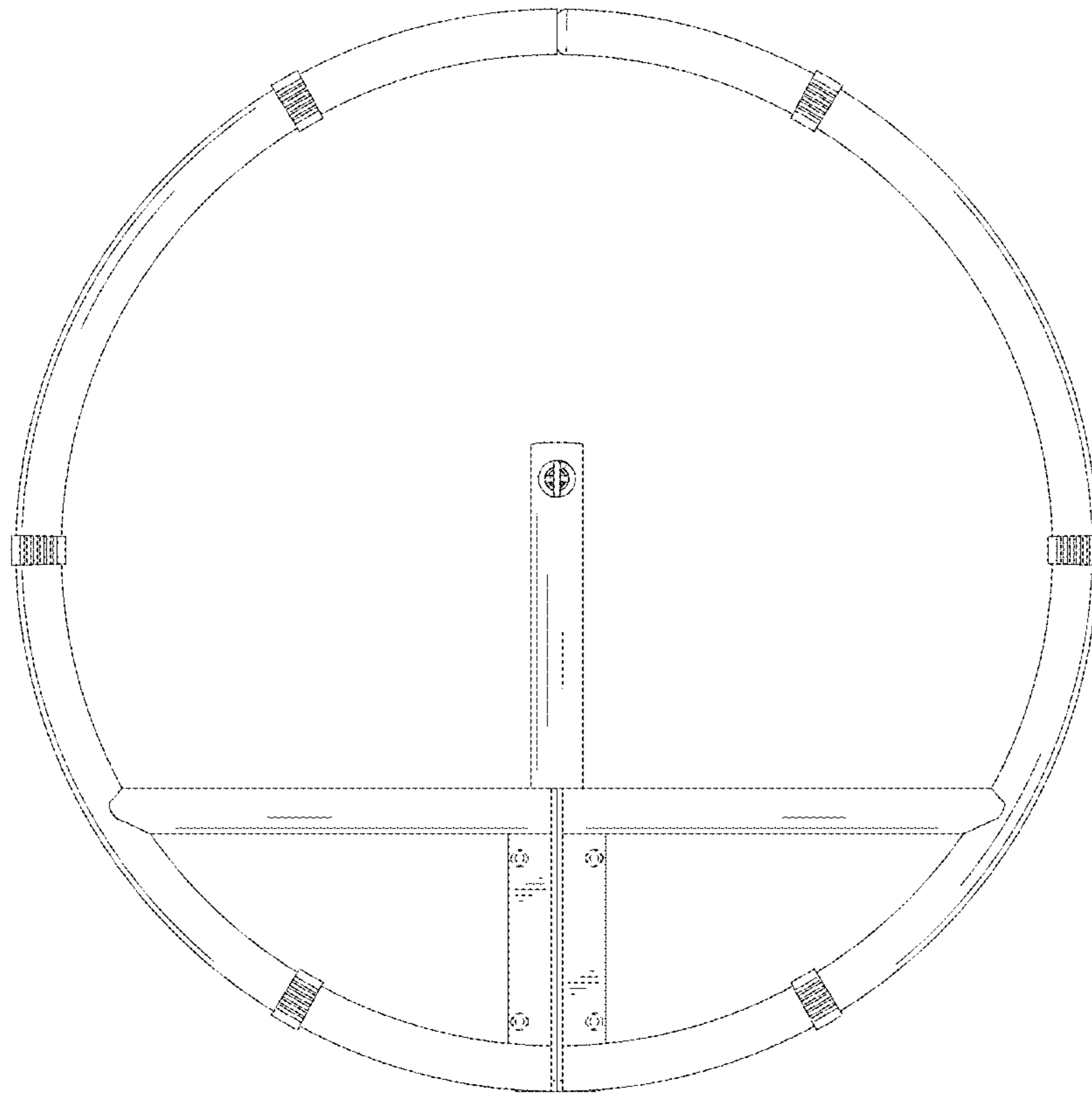


FIG. 8

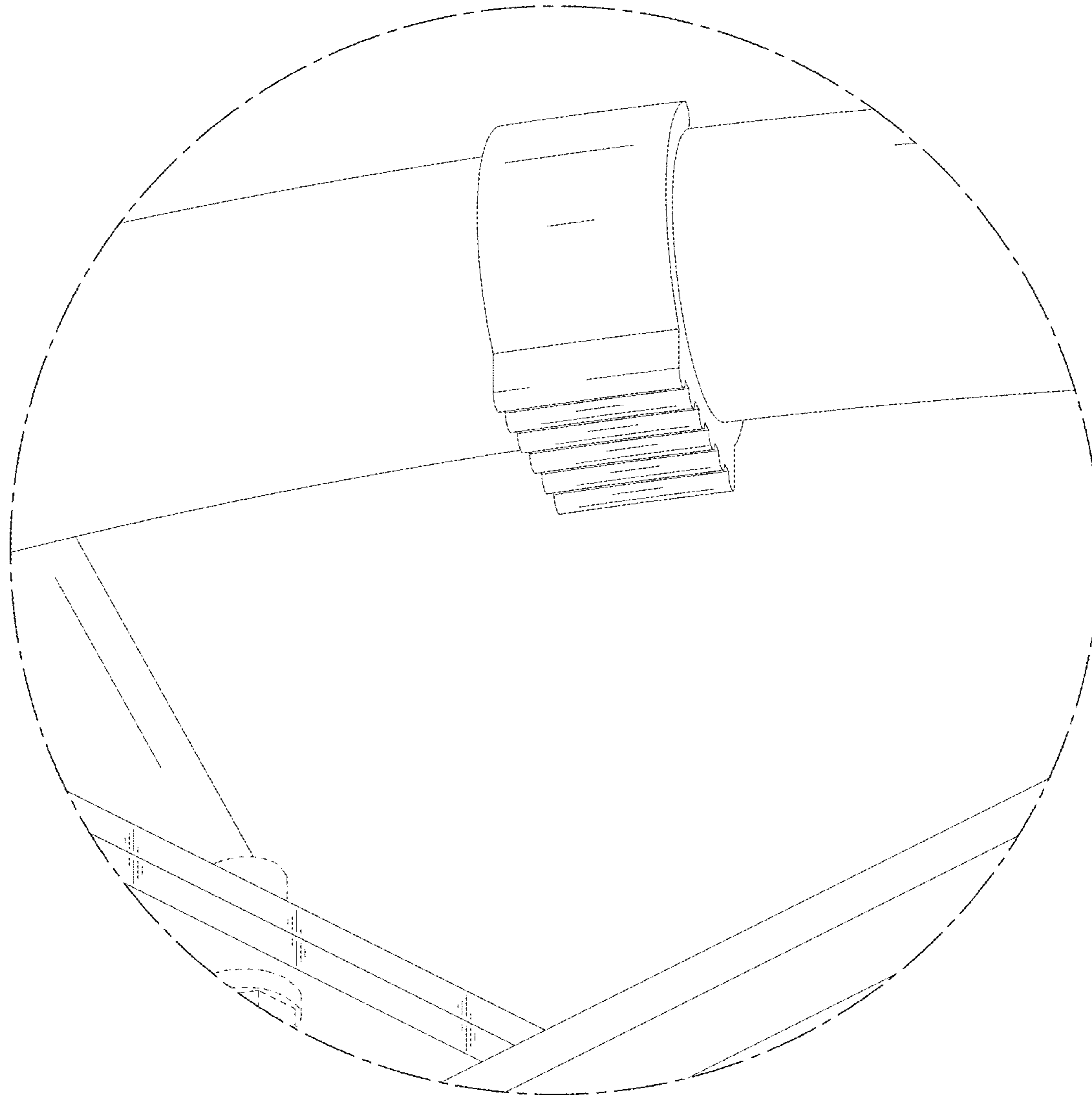


FIG. 9