



US00D974091S

(12) **United States Design Patent**
Campanie

(10) **Patent No.:** **US D974,091 S**
(45) **Date of Patent:** **** Jan. 3, 2023**

- (54) **TABLE**
- (71) Applicant: **Cody Campanie**, Portland, OR (US)
- (72) Inventor: **Cody Campanie**, Portland, OR (US)
- (**) Term: **15 Years**
- (21) Appl. No.: **29/775,159**
- (22) Filed: **Mar. 22, 2021**
- (51) **LOC (14) Cl.** **06-03**
- (52) **U.S. Cl.**
USPC **D6/692.4**
- (58) **Field of Classification Search**
USPC D6/334, 335, 336, 337, 338, 339, 340,
D6/349, 350, 352, 353, 354, 356, 357,
D6/360, 379, 685, 686, 691, 691.4, 692,
D6/692.2, 692.3, 692.4, 692.6
CPC A47B 7/00; A47B 2009/043; A47B
2013/006; A47B 13/003; A47B 13/12;
A47B 2200/0036
See application file for complete search history.

D850,832 S * 6/2019 Bieschke D6/692.6
D877,549 S * 3/2020 Lipparini D6/692
D914,417 S * 3/2021 Massaud D6/692.6
(Continued)

OTHER PUBLICATIONS

Crossbar table, posted at cdn.shopify.com, posted in 2020, site visited Jun. 14, 2022. online, available from internet: https://cdn.shopify.com/s/files/1/0658/1781/files/SS_crossbar_table_campagna_22APR2021_1.pdf?v=1623342711 (Year: 2020).*

Primary Examiner — Catherine Ho
(74) *Attorney, Agent, or Firm* — Timothy W. Menasco, Esq.; Harter Secrest & Emery LLP

(57) **CLAIM**

The ornamental design of a table, as shown and described.

DESCRIPTION

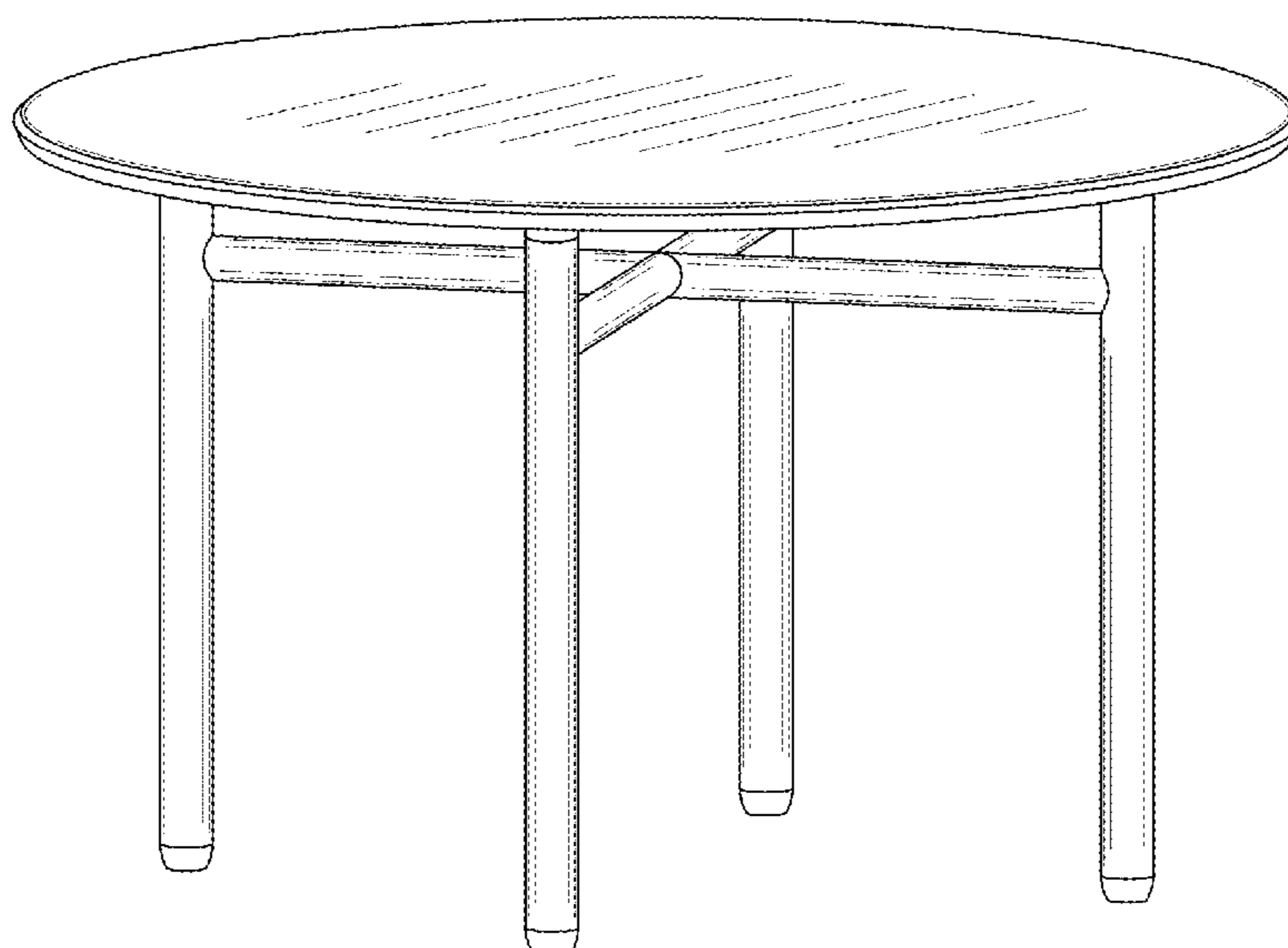
FIG. 1 is a top perspective view of a table in accordance with the present invention;
FIG. 2 is a front side view thereof;
FIG. 3 is a rear side view thereof;
FIG. 4 is a right side view thereof;
FIG. 5 is a left side view thereof;
FIG. 6 is a bottom view thereof;
FIG. 7 is a top view thereof;
FIG. 8 is a bottom perspective view thereof;
FIG. 9 is a top perspective view of a second embodiment in accordance with the present invention;
FIG. 10 is a front view of the second embodiment;
FIG. 11 is a rear side view of the second embodiment;
FIG. 12 is a right side view of the second embodiment;
FIG. 13 is a left side view of the second embodiment;
FIG. 14 is a bottom view of the second embodiment;
FIG. 15 is a top view of the second embodiment; and,
FIG. 16 is a bottom perspective view of the second embodiment.

(56) **References Cited**

U.S. PATENT DOCUMENTS

D98,434 S *	2/1936	Hoffmann	D6/692.6
2,582,791 A *	1/1952	Page	A47B 9/16 108/138
D172,551 S *	7/1954	Peirce	D6/692.4
2,977,169 A *	3/1961	Geller	A47B 9/16 108/127
D222,624 S *	11/1971	Gianfagna	D6/692.6
D225,501 S *	12/1972	Apple, Jr.	D6/692
D236,785 S *	9/1975	Smith	D6/692.6
D237,929 S *	12/1975	Syracuse	D6/692
D350,040 S *	8/1994	Magnusson	D6/692.6
D367,785 S *	3/1996	Lewis	D6/692
D554,394 S *	11/2007	Jaramillo	D6/692.1
D560,082 S *	1/2008	Theemann	D6/692.6
D666,845 S *	9/2012	Lievore	D6/691
D770,818 S *	11/2016	Sheppard	D6/692

1 Claim, 16 Drawing Sheets



(56)

References Cited

U.S. PATENT DOCUMENTS

2016/0066684 A1* 3/2016 Leng A47B 13/003
108/166
2022/0061519 A1* 3/2022 Yang G06F 3/041
2022/0151374 A1* 5/2022 DeVries F16B 12/44

* cited by examiner

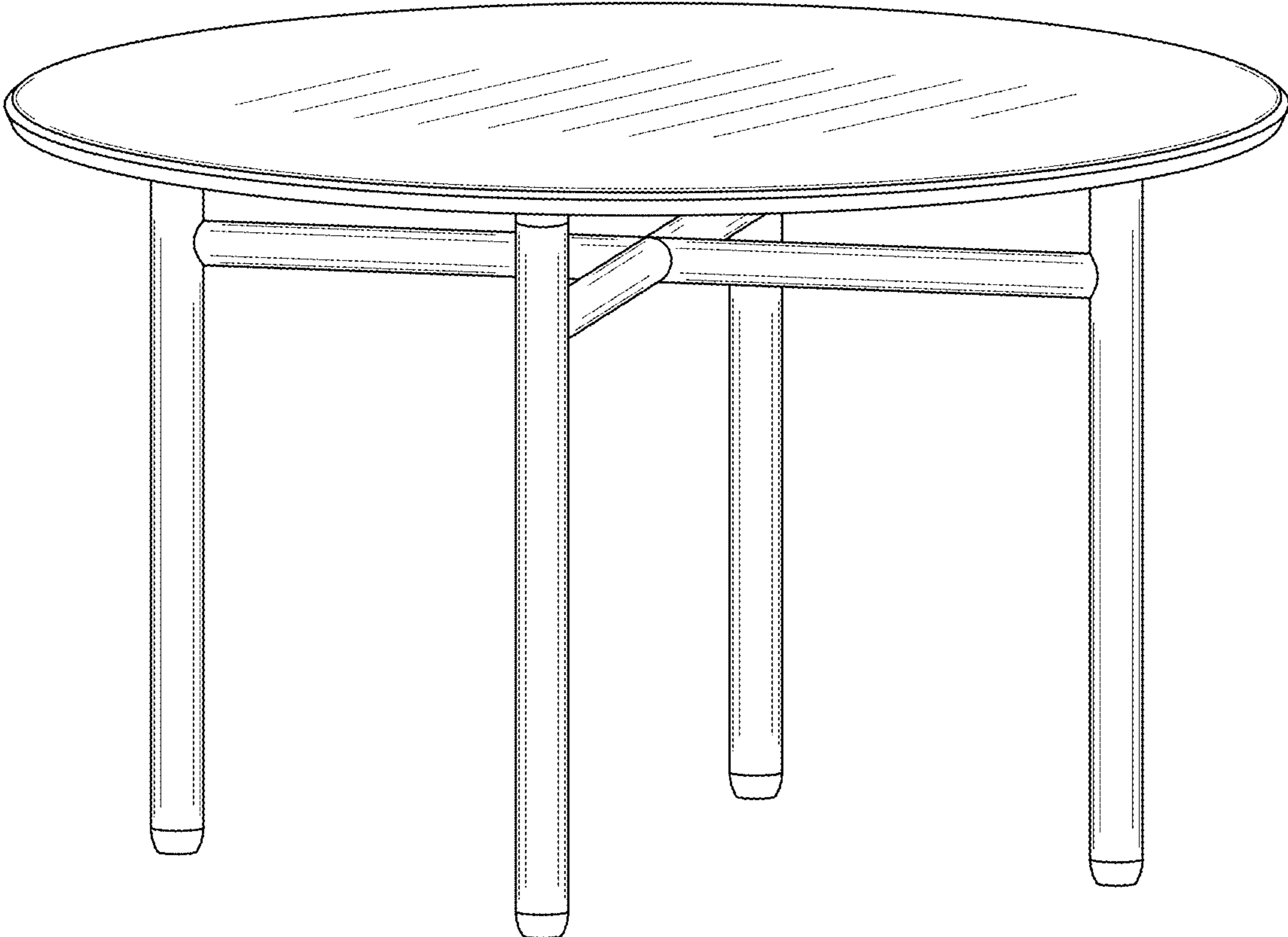


FIG. 1

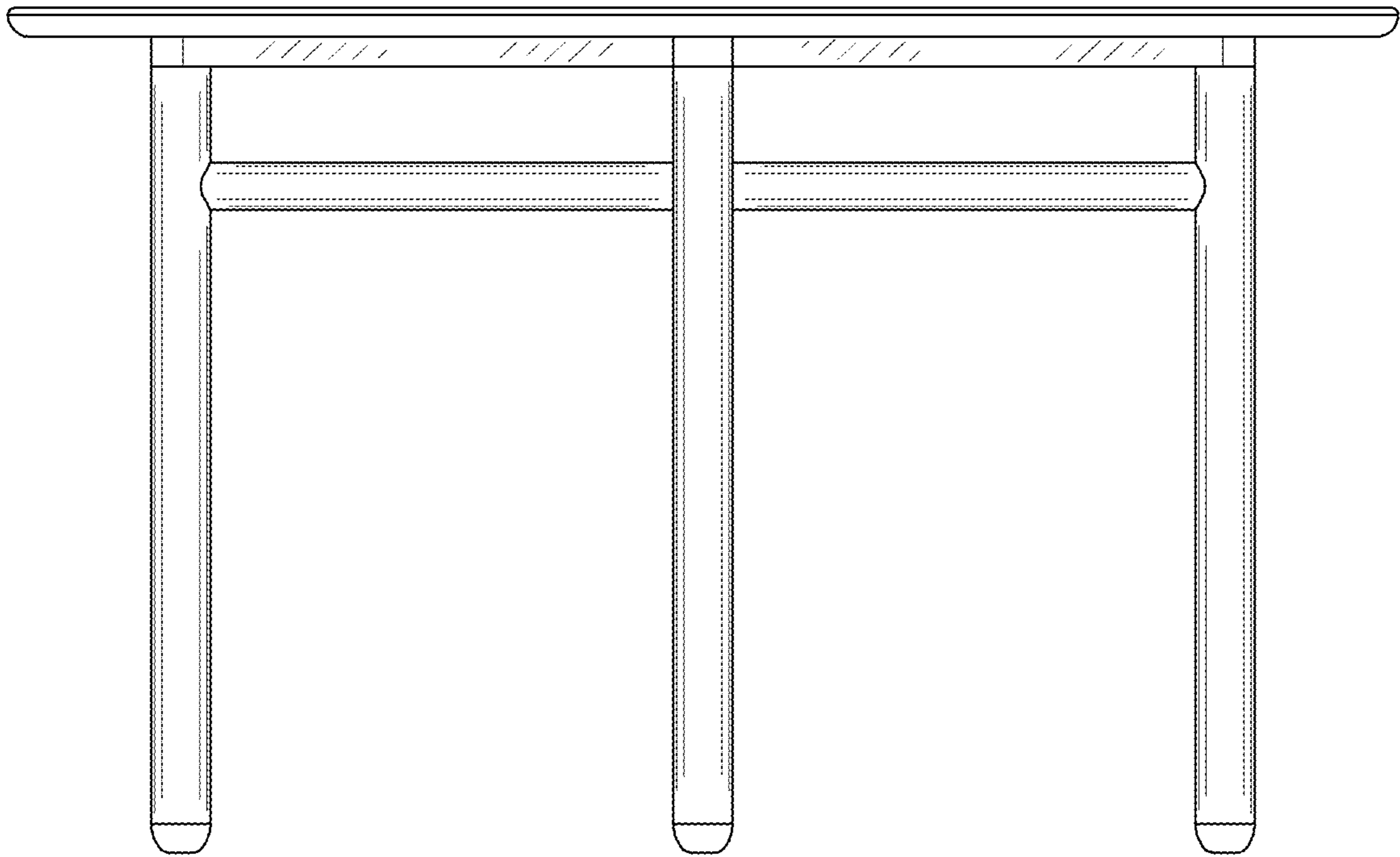


FIG. 2

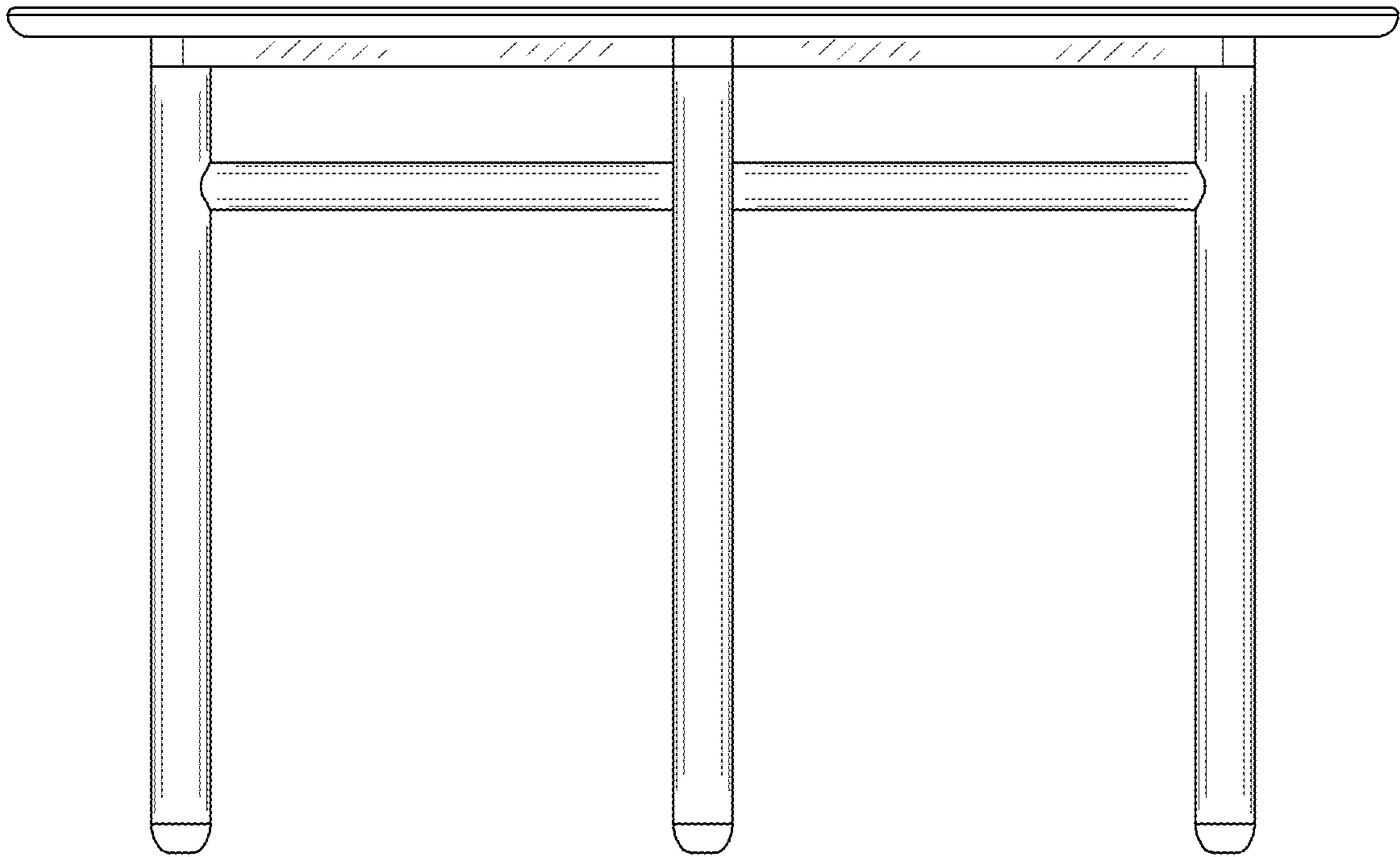


FIG. 3

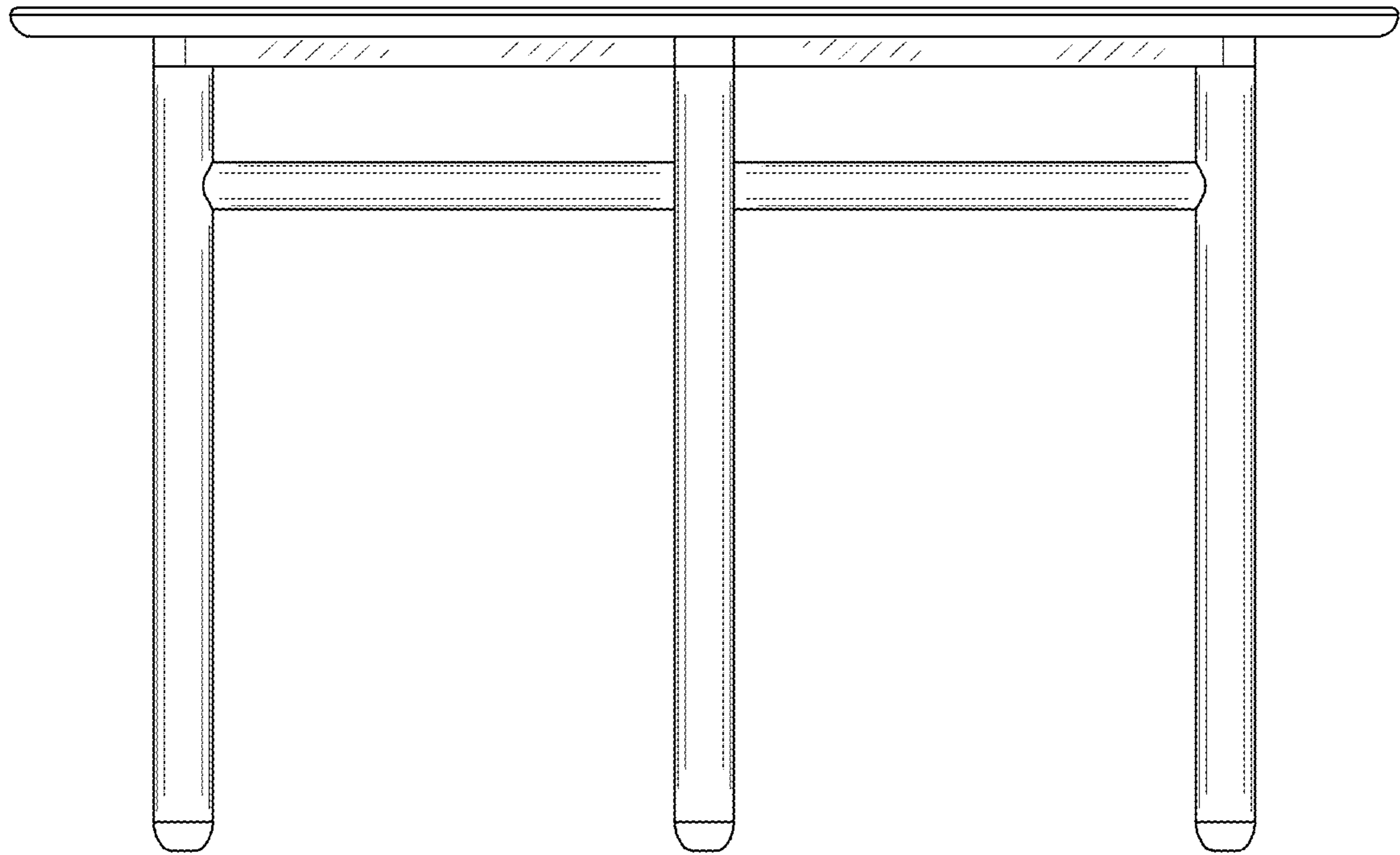


FIG. 4

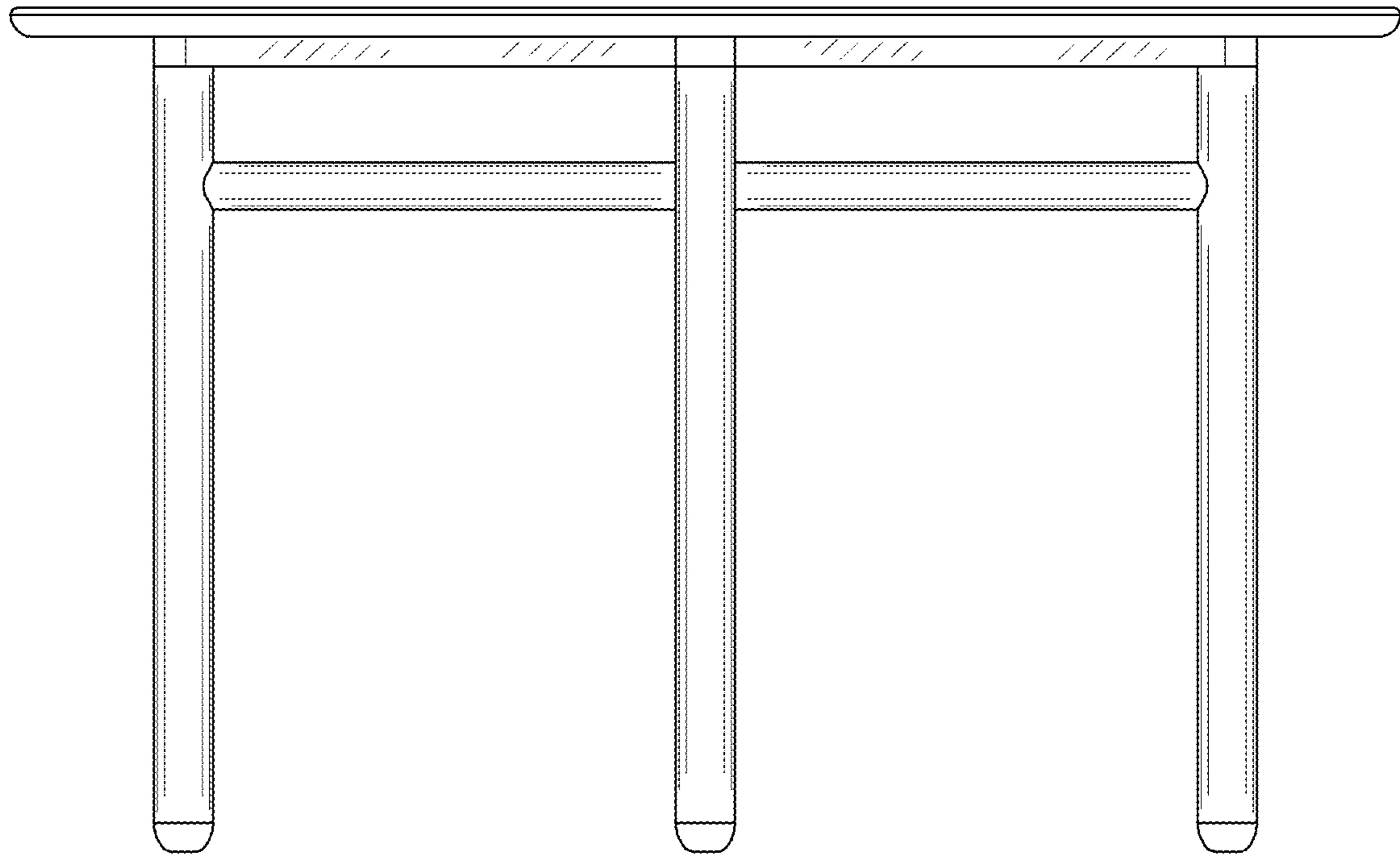


FIG. 5

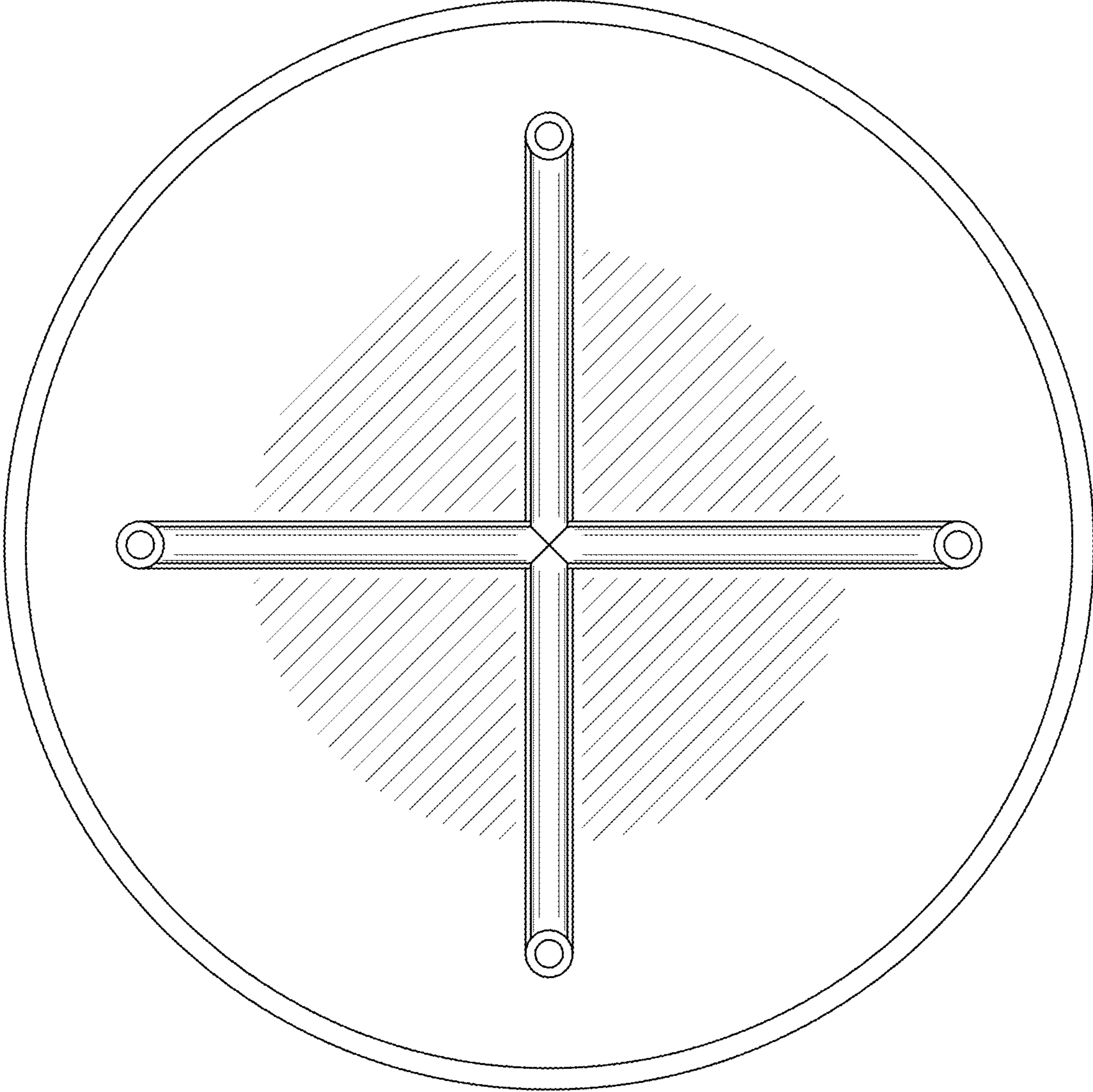


FIG. 6

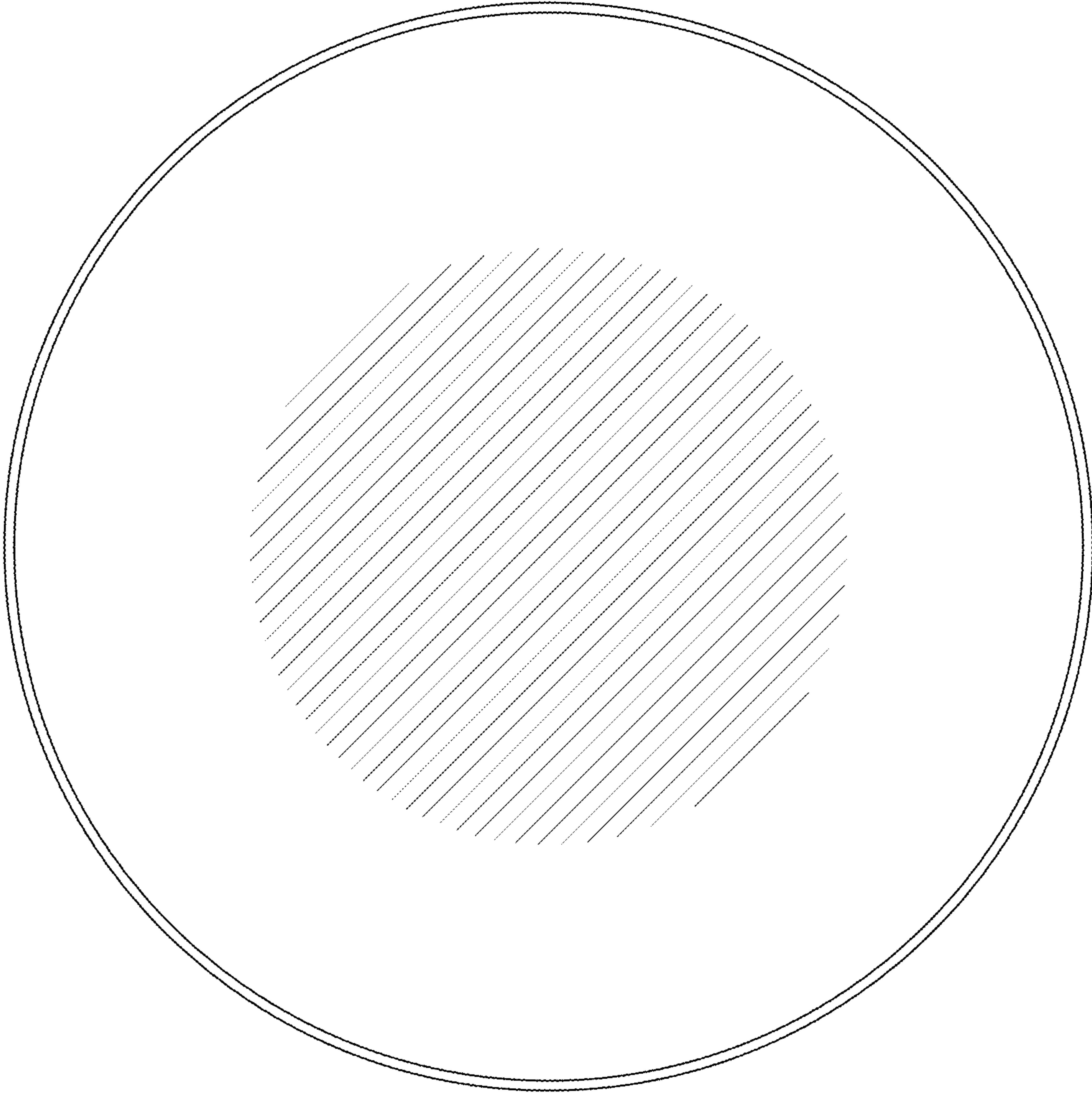


FIG. 7

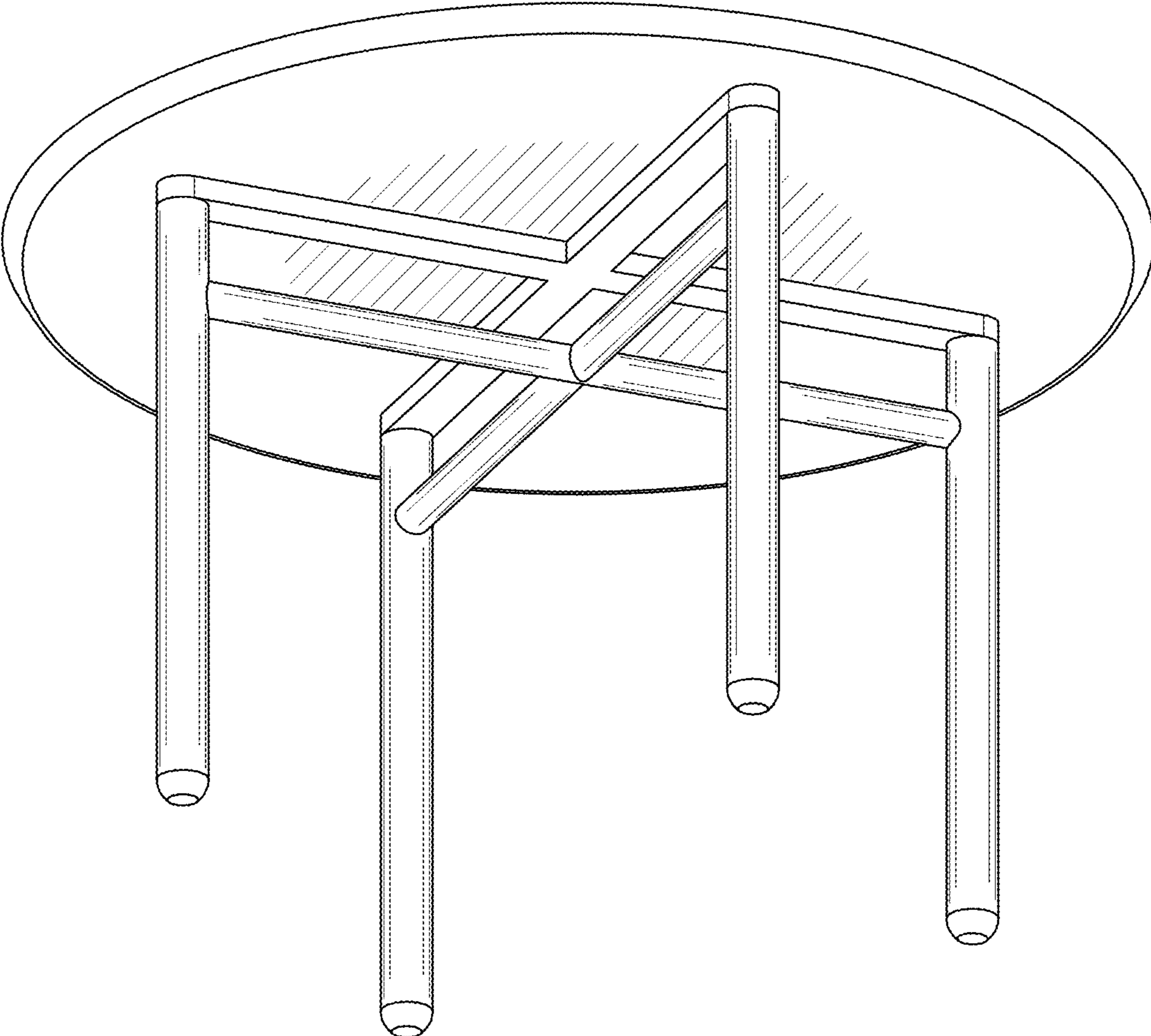


FIG. 8

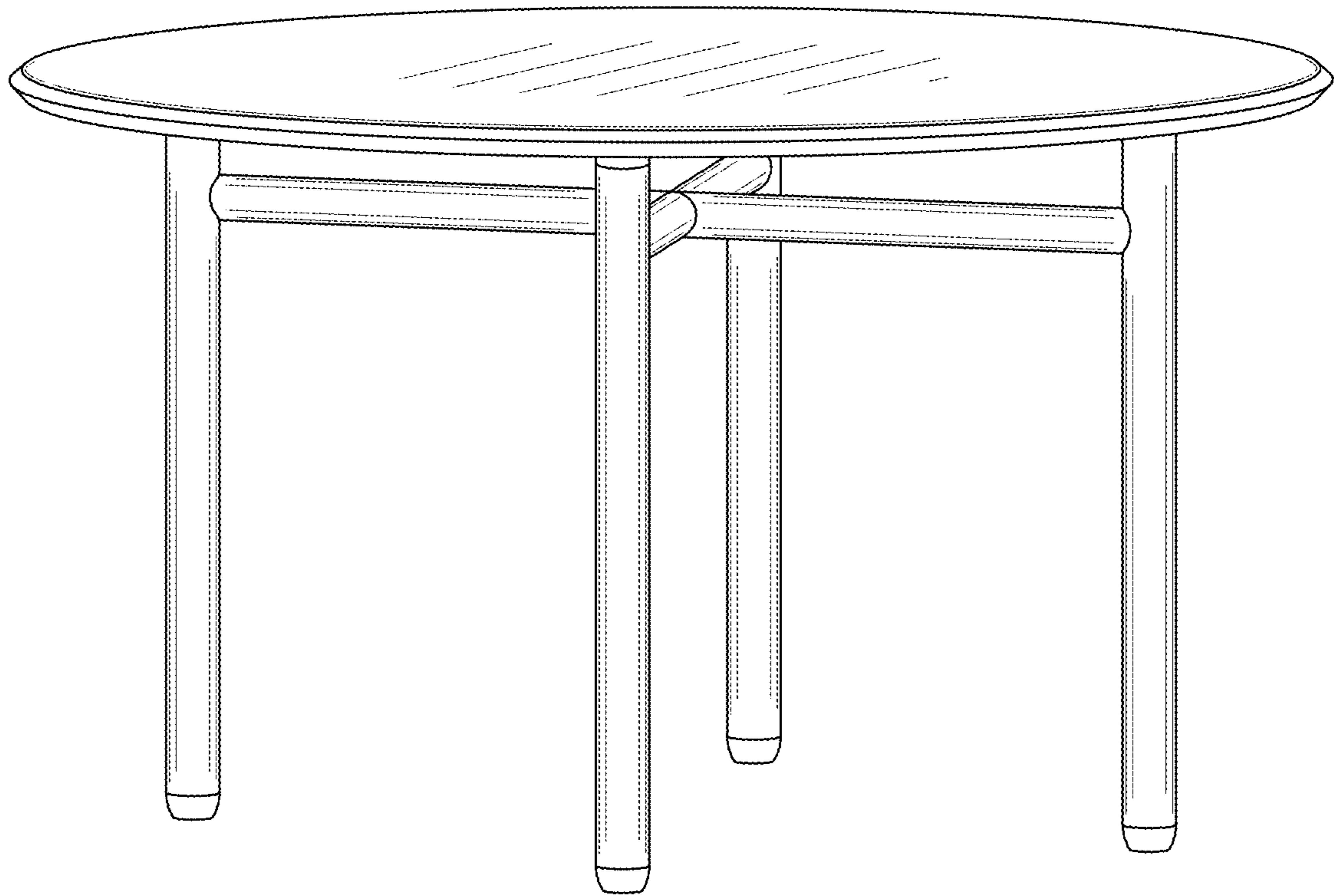


FIG. 9

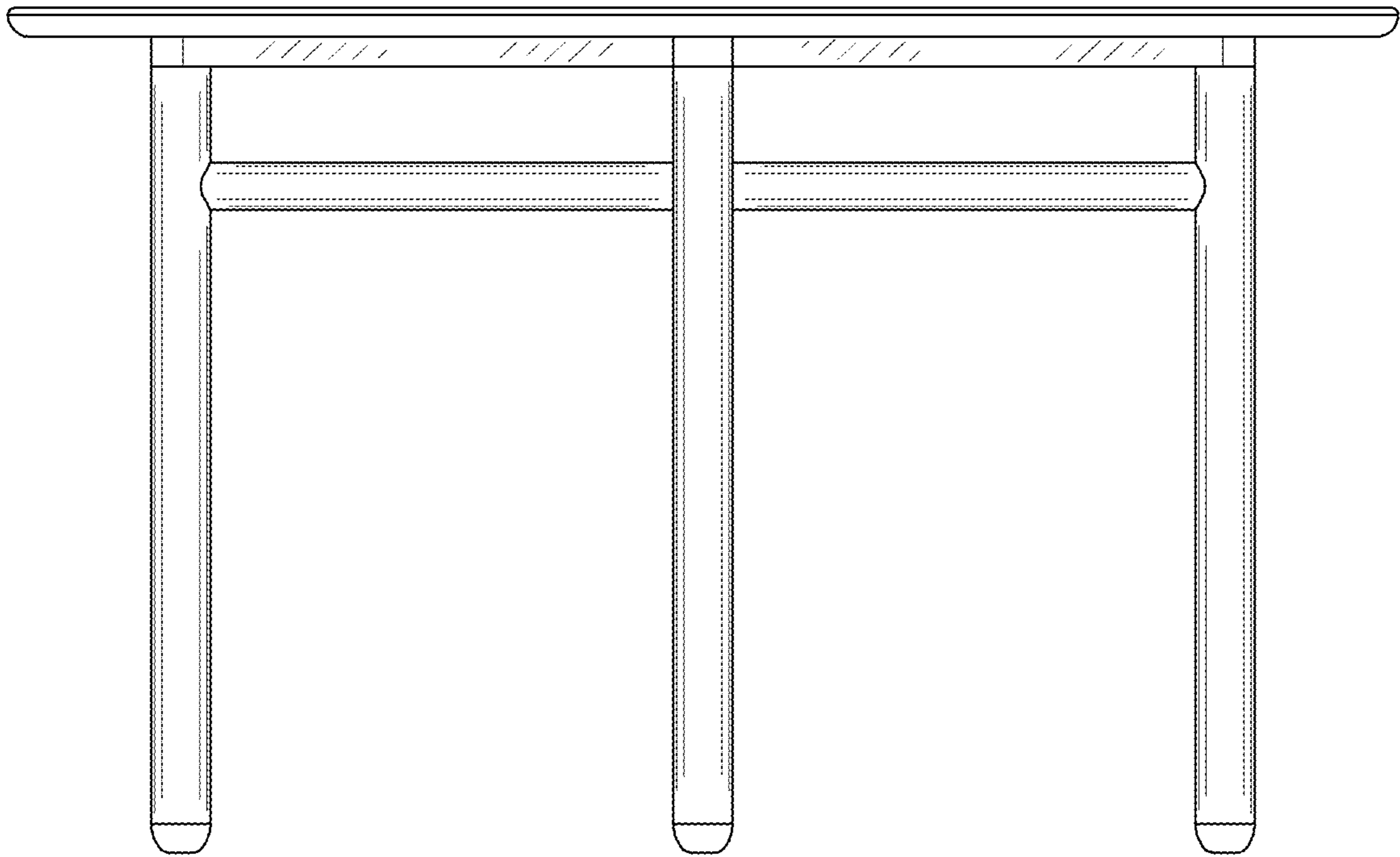


FIG. 10

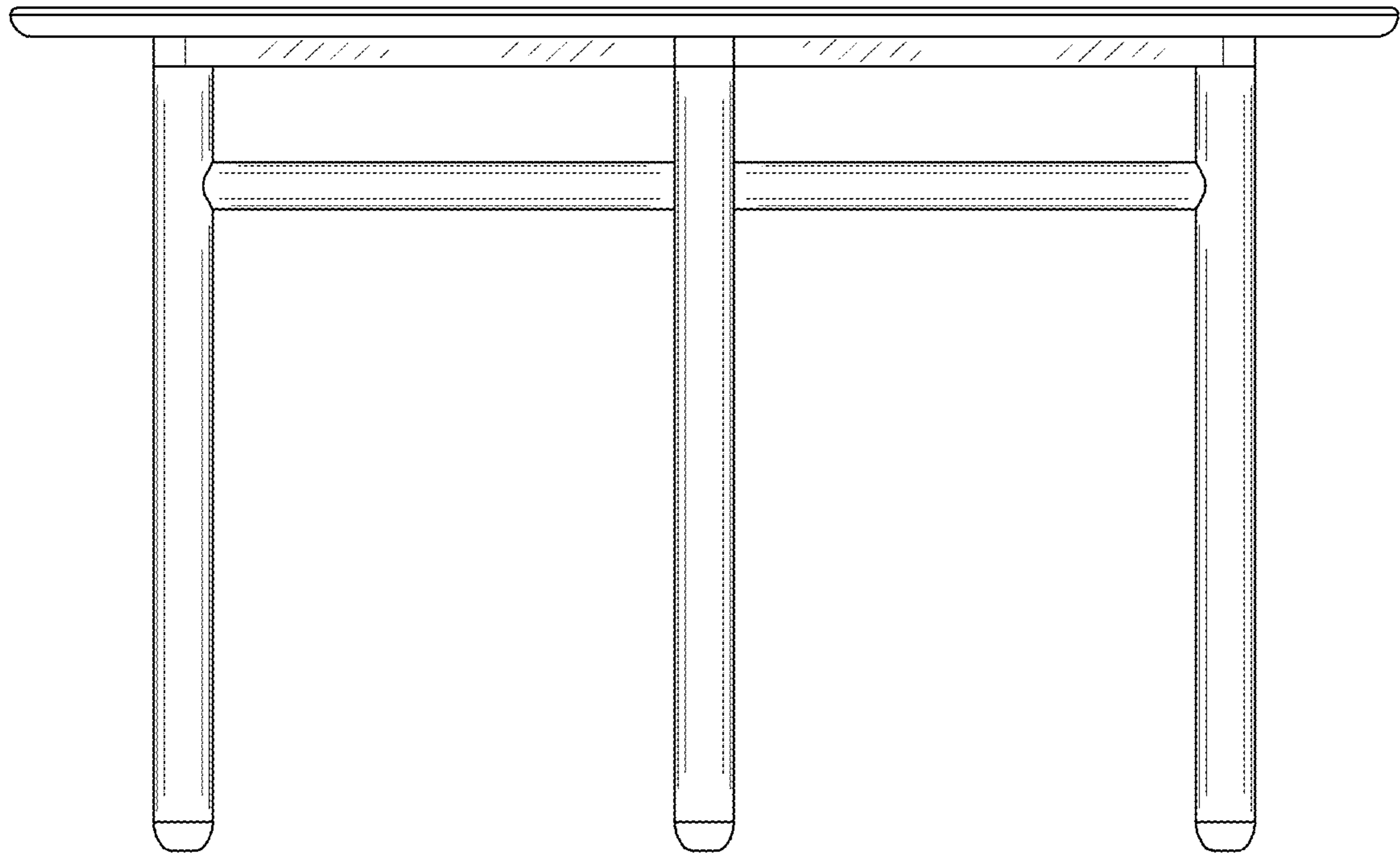


FIG. 11

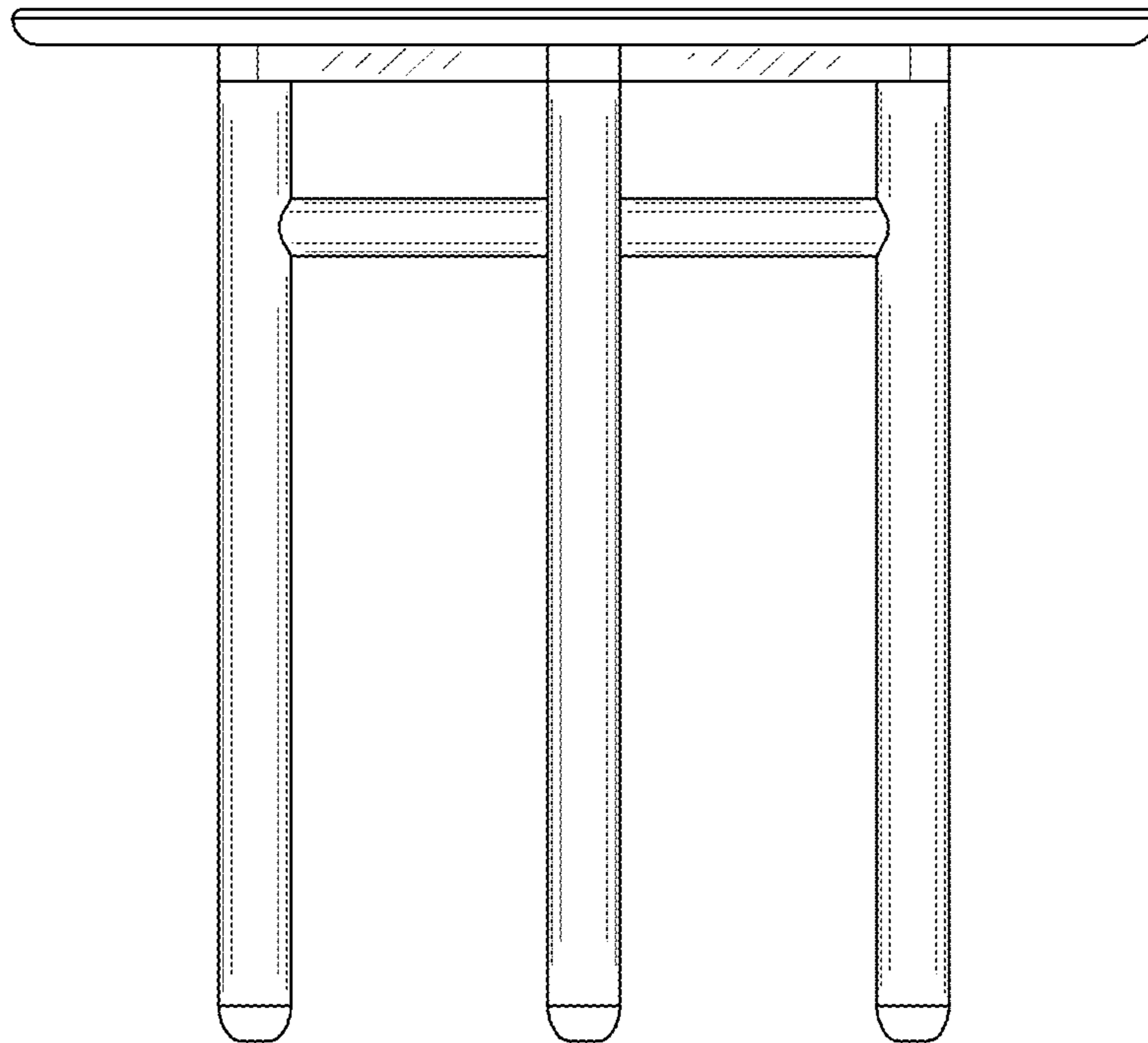


FIG. 12

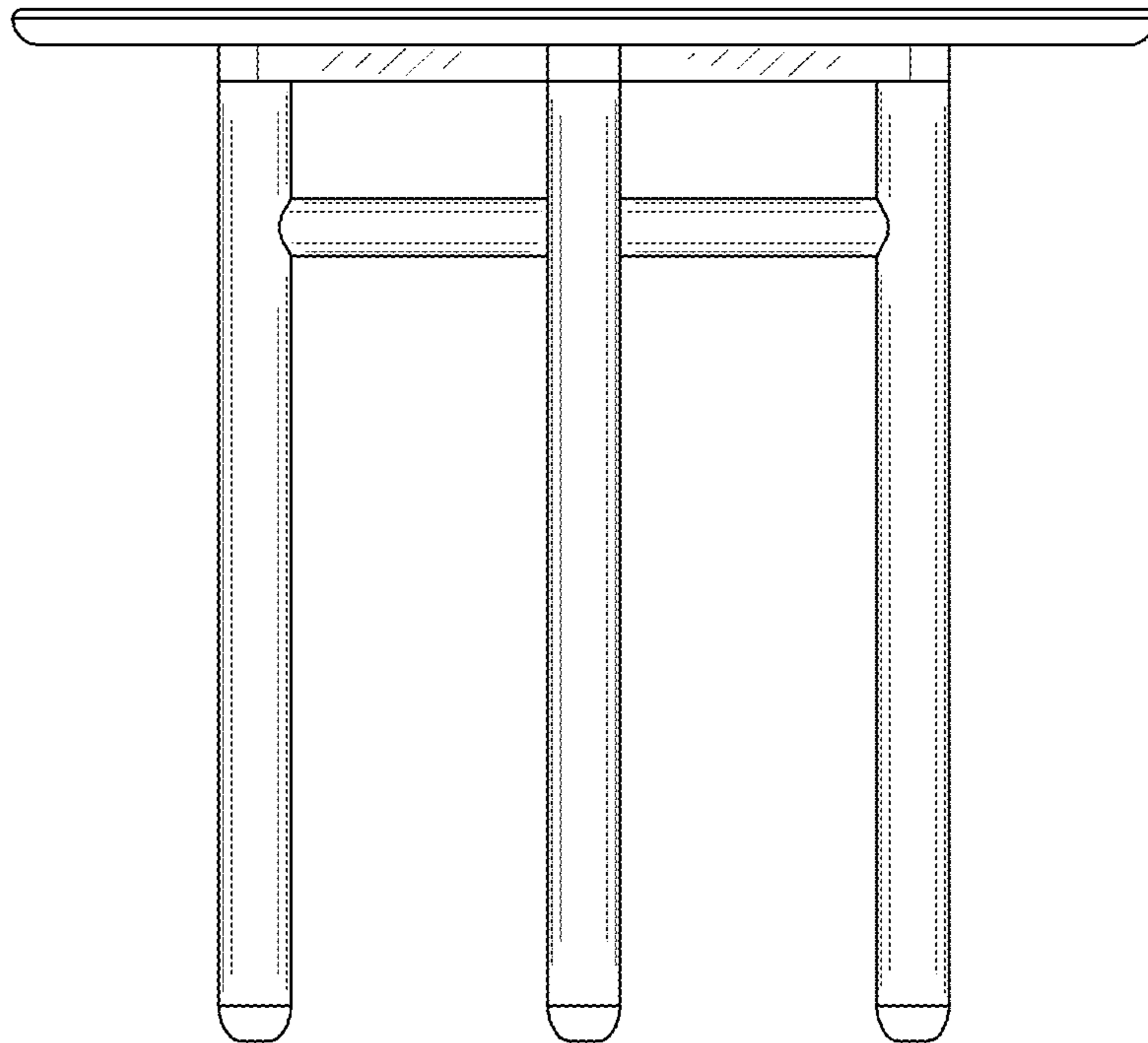


FIG. 13

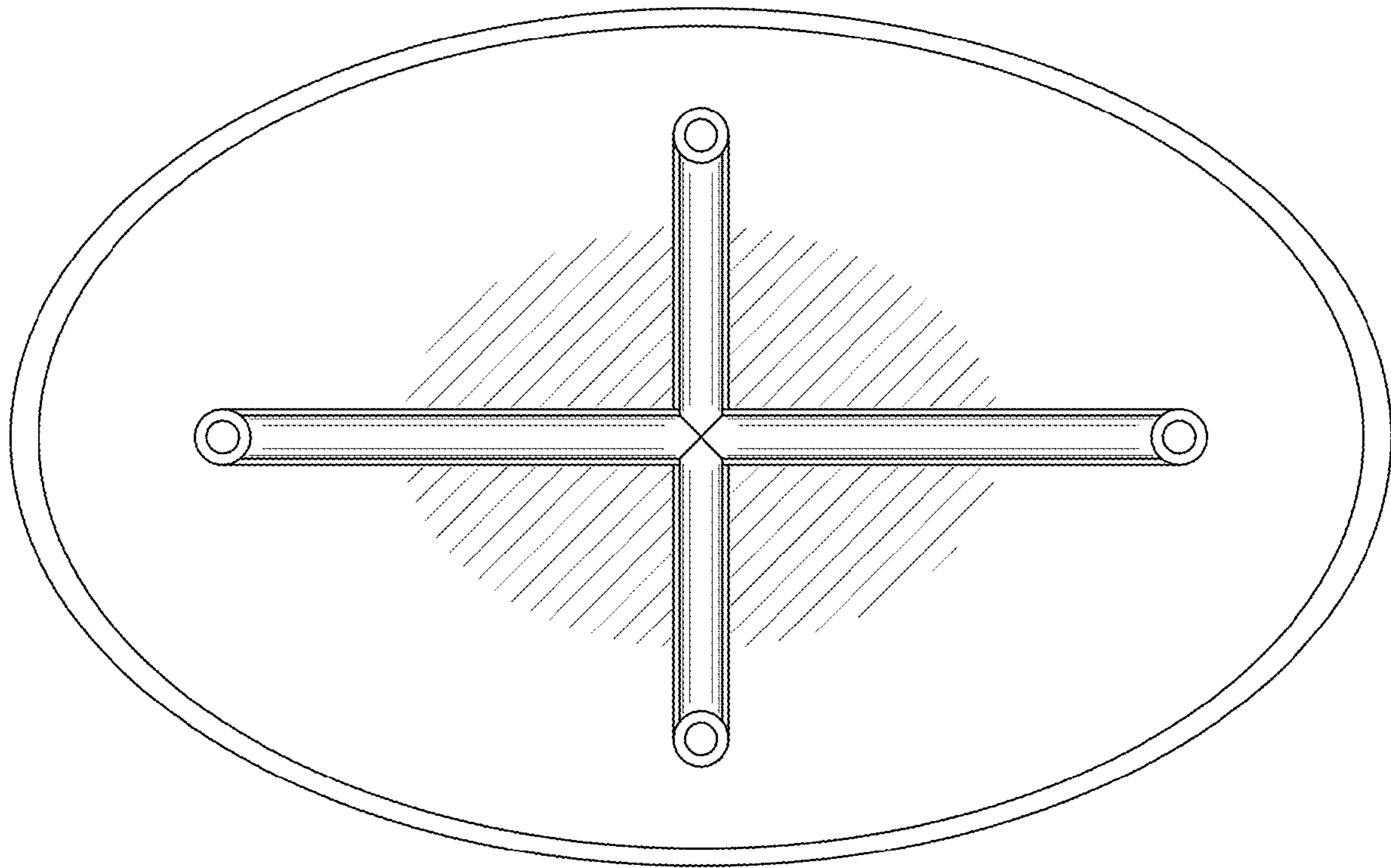


FIG. 14

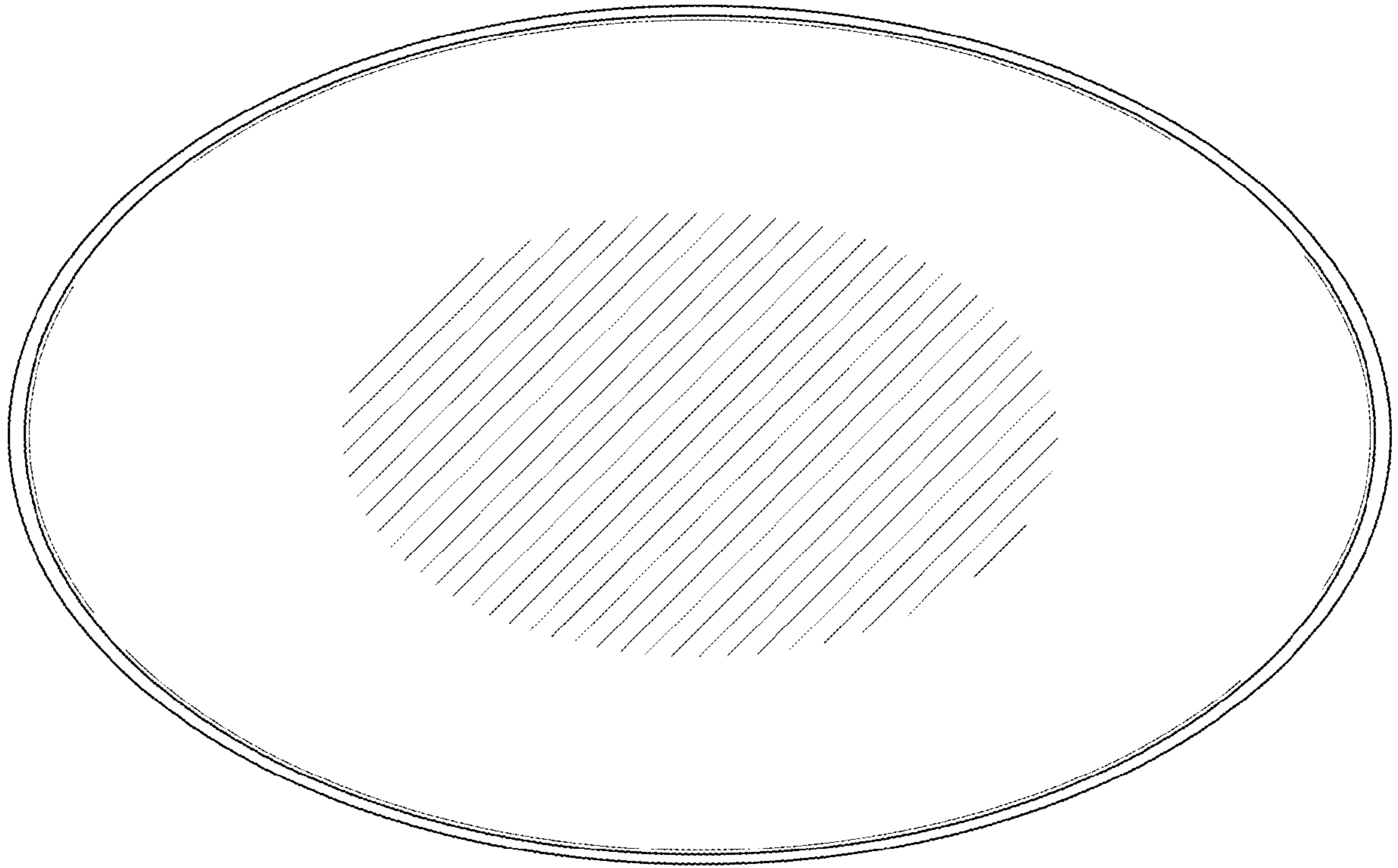


FIG. 15

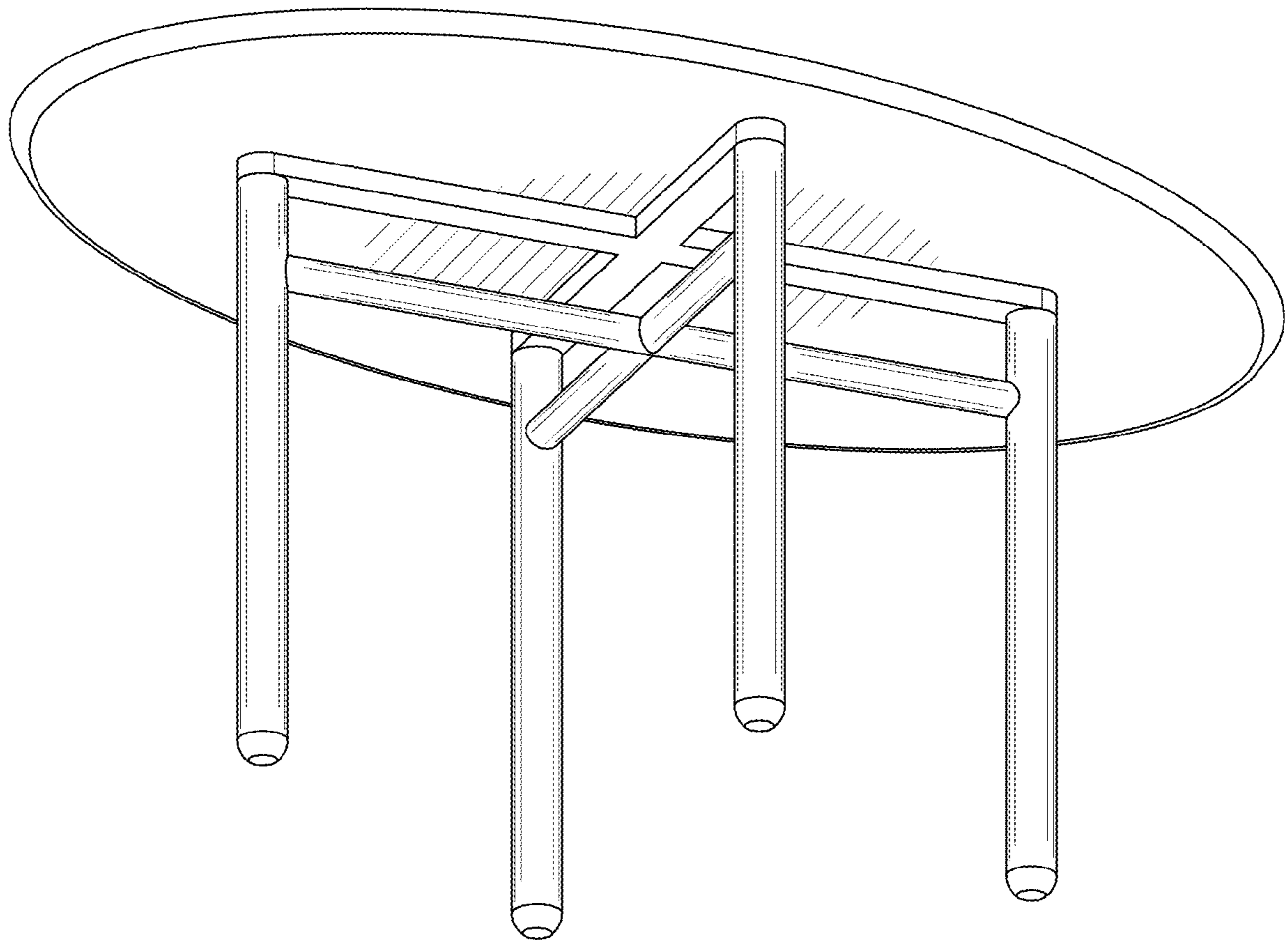


FIG. 16