



US00D974089S

(12) **United States Design Patent**  
**Sabounjian et al.**

(10) **Patent No.:** **US D974,089 S**  
(45) **Date of Patent:** **\*\* Jan. 3, 2023**

(54) **EXPANDABLE STAND**

(71) Applicants: **Sam C. Sabounjian**, Irvine, CA (US);  
**Azad Sabounjian**, Irvine, CA (US)

(72) Inventors: **Sam C. Sabounjian**, Irvine, CA (US);  
**Azad Sabounjian**, Irvine, CA (US)

(\*\*) Term: **15 Years**

(21) Appl. No.: **29/700,214**

(22) Filed: **Jul. 31, 2019**

(51) **LOC (14) Cl.** ..... **06-06**

(52) **U.S. Cl.**  
USPC ..... **D6/675.5**

(58) **Field of Classification Search**  
USPC ..... D6/672, 675, 675.1, 675.2, 675.5, 682  
(Continued)

(56) **References Cited**

U.S. PATENT DOCUMENTS

- 3,137,249 A \* 6/1964 Postula ..... A47B 55/02  
108/27
- D289,479 S \* 4/1987 Brancher ..... D6/566  
(Continued)

*Primary Examiner* — Kelley A Donnelly

(74) *Attorney, Agent, or Firm* — Stetina Brunda Garred & Brucker

(57) **CLAIM**

The ornamental design for an expandable stand, as shown and described.

**DESCRIPTION**

FIG. 1 is a top perspective view of an expandable stand with a flat wire shelf including a two legged stand portion and a one legged stand portion;  
 FIG. 2 is a front view of the expandable stand of FIG. 1;  
 FIG. 3 is a back view of the expandable stand of FIG. 1;  
 FIG. 4 is a left end view of the expandable stand of FIG. 1;

FIG. 5 is a right end view of the expandable stand of FIG. 1;  
 FIG. 6 is a top view of the expandable stand of FIG. 1;  
 FIG. 7 is a bottom view of the expandable stand of FIG. 1;  
 FIG. 8 is a top perspective view of the two legged stand portion of the expandable stand of FIG. 1;  
 FIG. 9 is a front view of the two legged stand portion of FIG. 8;  
 FIG. 10 is a back view of the two legged stand portion of FIG. 8;  
 FIG. 11 is a left end view of the two legged stand portion of FIG. 8;  
 FIG. 12 is a right end view of the two legged stand portion of FIG. 8;  
 FIG. 13 is a top view of the two legged stand portion of FIG. 8;  
 FIG. 14 is a bottom view of the two legged stand portion of FIG. 8;  
 FIG. 15 is a top perspective view of the one legged stand portion of the expandable stand of FIG. 1;  
 FIG. 16 is a front view of the one legged stand portion of FIG. 15;  
 FIG. 17 is a back view of the one legged stand portion of FIG. 15;  
 FIG. 18 is a left end view of the one legged stand portion of FIG. 15;  
 FIG. 19 is a right end view of the one legged stand portion of FIG. 15;  
 FIG. 20 is a top view of the one legged stand portion of FIG. 15;  
 FIG. 21 is a bottom view of the one legged stand portion of FIG. 15;  
 FIG. 22 is a top perspective view of an expandable stand with a round wire shelf including a two legged stand portion and a one legged stand portion;  
 FIG. 23 is a front view of the expandable stand of FIG. 22;  
 FIG. 24 is a back view of the expandable stand of FIG. 22;  
 FIG. 25 is a left end view of the expandable stand of FIG. 22;  
 FIG. 26 is a right end view of the expandable stand of FIG. 22;  
 FIG. 27 is a top view of the expandable stand of FIG. 22;  
 FIG. 28 is a bottom view of the expandable stand of FIG. 22;

(Continued)

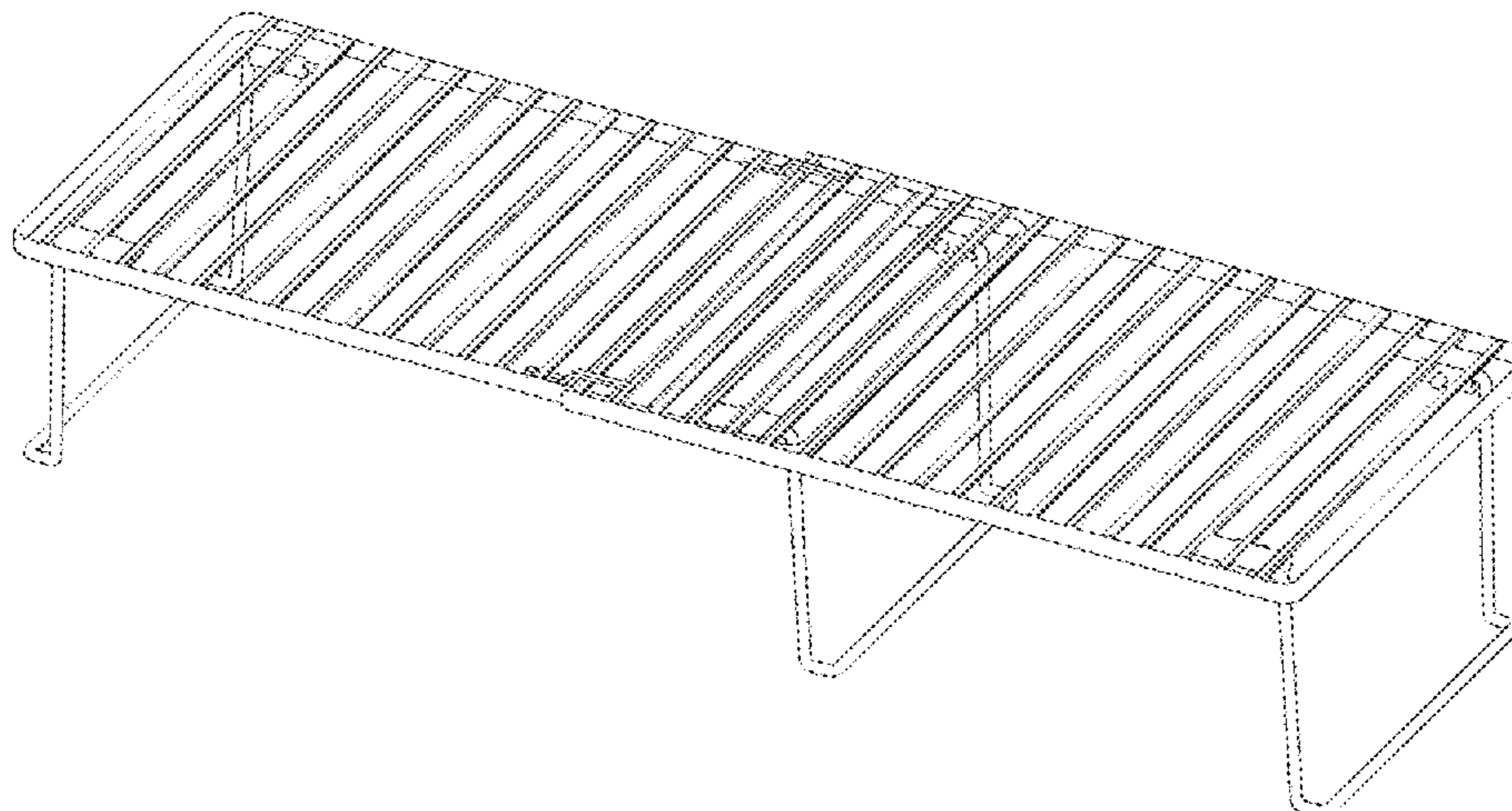


FIG. 29 is a top perspective view of the two legged stand portion of the expandable stand of FIG. 22;  
 FIG. 30 is a front view of the two legged stand portion of FIG. 29;  
 FIG. 31 is a back view of the two legged stand portion of FIG. 29;  
 FIG. 32 is a left end view of the two legged stand portion of FIG. 29;  
 FIG. 33 is a right end view of the two legged stand portion of FIG. 29;  
 FIG. 34 is a top view of the two legged stand portion of FIG. 29;  
 FIG. 35 is a bottom view of the two legged stand portion of FIG. 29;  
 FIG. 36 is a top perspective view of the one legged stand portion of the expandable stand of FIG. 22;  
 FIG. 37 is a front view of the one legged stand portion of FIG. 36;  
 FIG. 38 is a back view of the one legged stand portion of FIG. 36;  
 FIG. 39 is a left end view of the one legged stand portion of FIG. 36;  
 FIG. 40 is a right end view of the one legged stand portion of FIG. 36;  
 FIG. 41 is a top view of the one legged stand portion of FIG. 36; and,  
 FIG. 42 is a bottom view of the one legged stand portion of FIG. 36.

1 Claim, 24 Drawing Sheets

(58) **Field of Classification Search**

CPC ..... A47B 45/00; A47B 46/00; A47B 47/00;  
 A47B 47/02; A47B 47/021; A47B 73/00;  
 A47B 73/002; A47F 5/00; A47F 5/0031;  
 A47F 5/0056

See application file for complete search history.

(56) **References Cited**

U.S. PATENT DOCUMENTS

5,097,971	A *	3/1992	Norris .....	A47B 87/0207 211/126.6
5,213,221	A *	5/1993	Raye, Sr. ....	D06F 57/08 211/181.1
D413,218	S *	8/1999	Doty .....	D6/675.5
6,318,570	B1 *	11/2001	Mueller .....	A47B 87/0207 211/126.7
D498,633	S *	11/2004	Anderson .....	D6/566
D499,922	S *	12/2004	Anderson .....	D6/566
D587,492	S *	3/2009	Gusdorf .....	D6/675.5
D690,966	S *	10/2013	Goodman .....	D6/675.5
D719,383	S *	12/2014	Goodman .....	D6/675.5
D724,358	S *	3/2015	Tsai .....	D6/675.3
D730,666	S *	6/2015	Goodman .....	D6/675.3
D742,664	S *	11/2015	Hsu .....	D6/675.5
D742,665	S *	11/2015	Goodman .....	D6/675.5
D771,984	S *	11/2016	Tsai .....	D6/675.5
D927,901	S *	8/2021	Sabounjian .....	D6/675.5
D927,902	S *	8/2021	Sabounjian .....	D6/675.5
D936,401	S *	11/2021	Wang .....	D6/675.5

\* cited by examiner



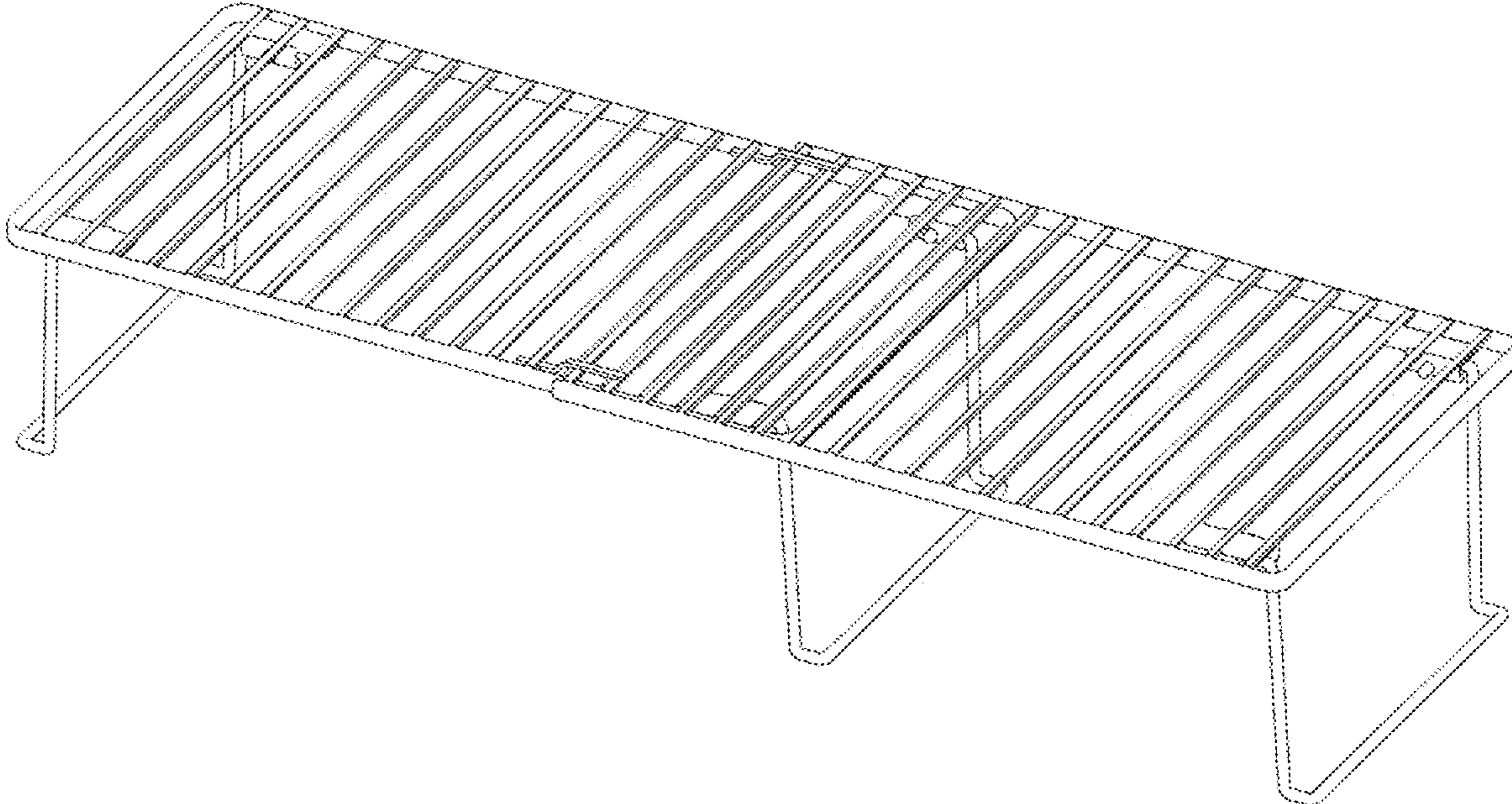


FIGURE 1

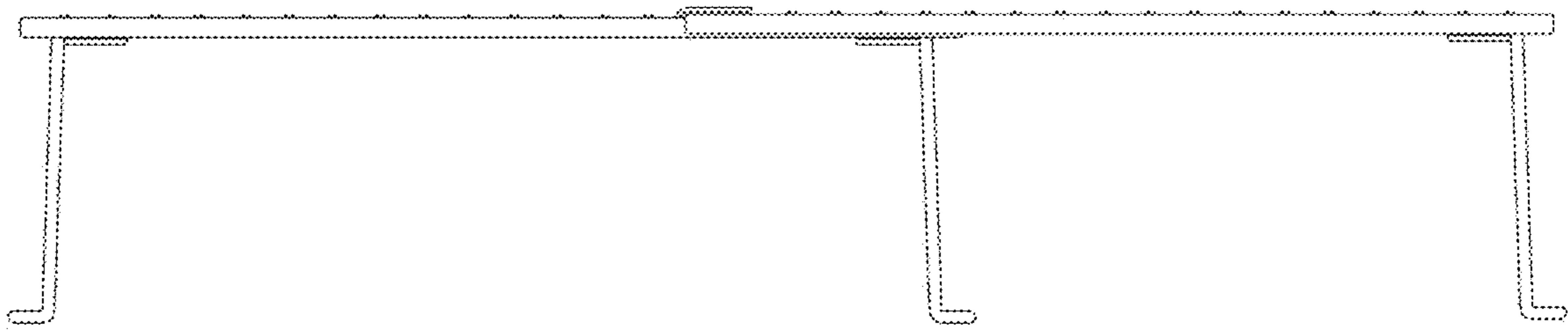


FIGURE 2

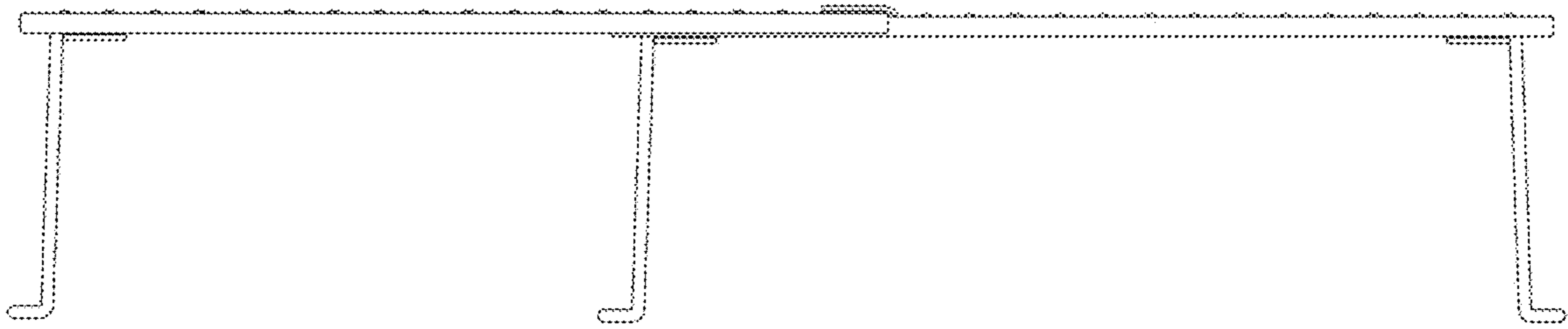


FIGURE 3

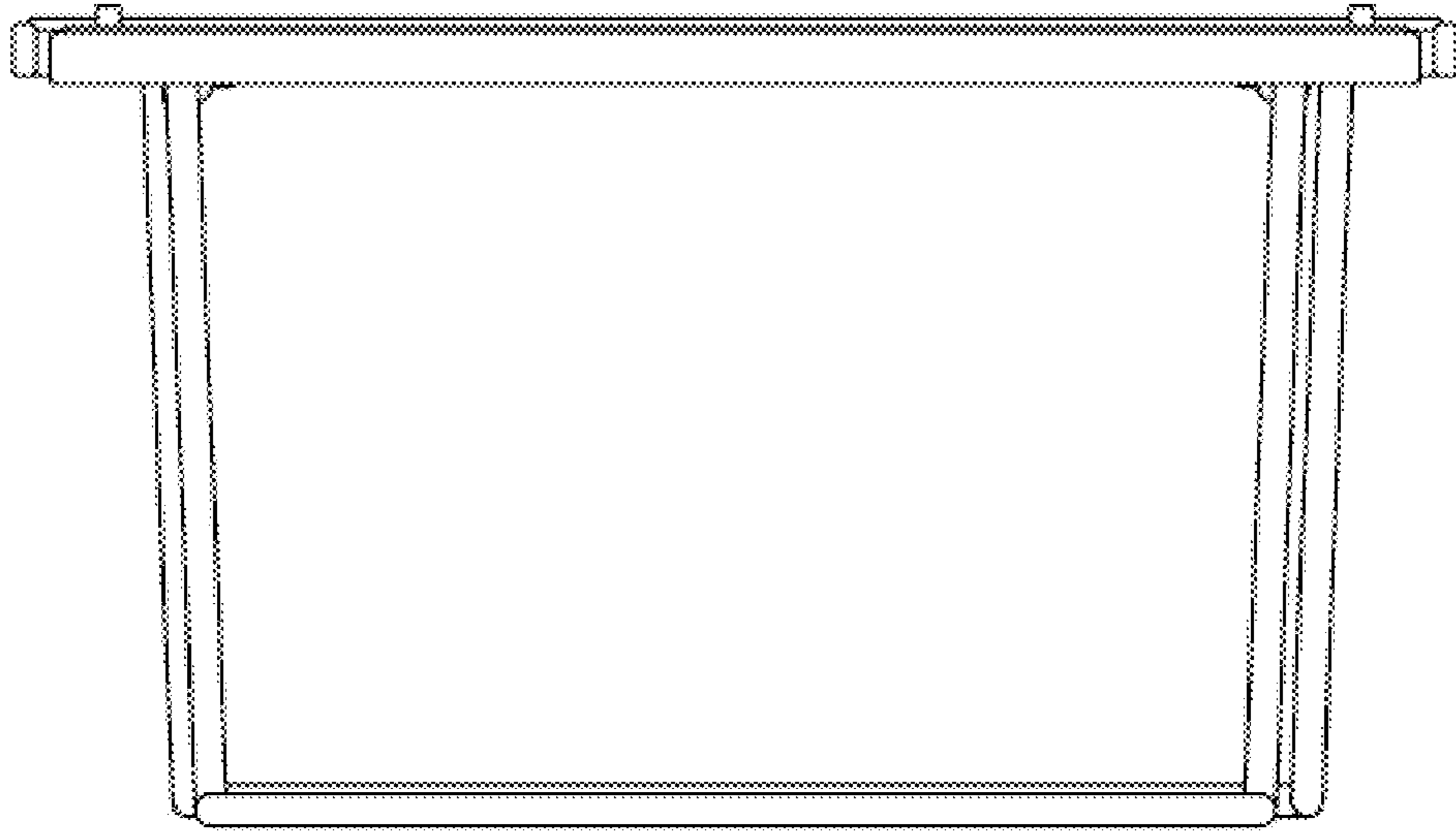


FIGURE 4

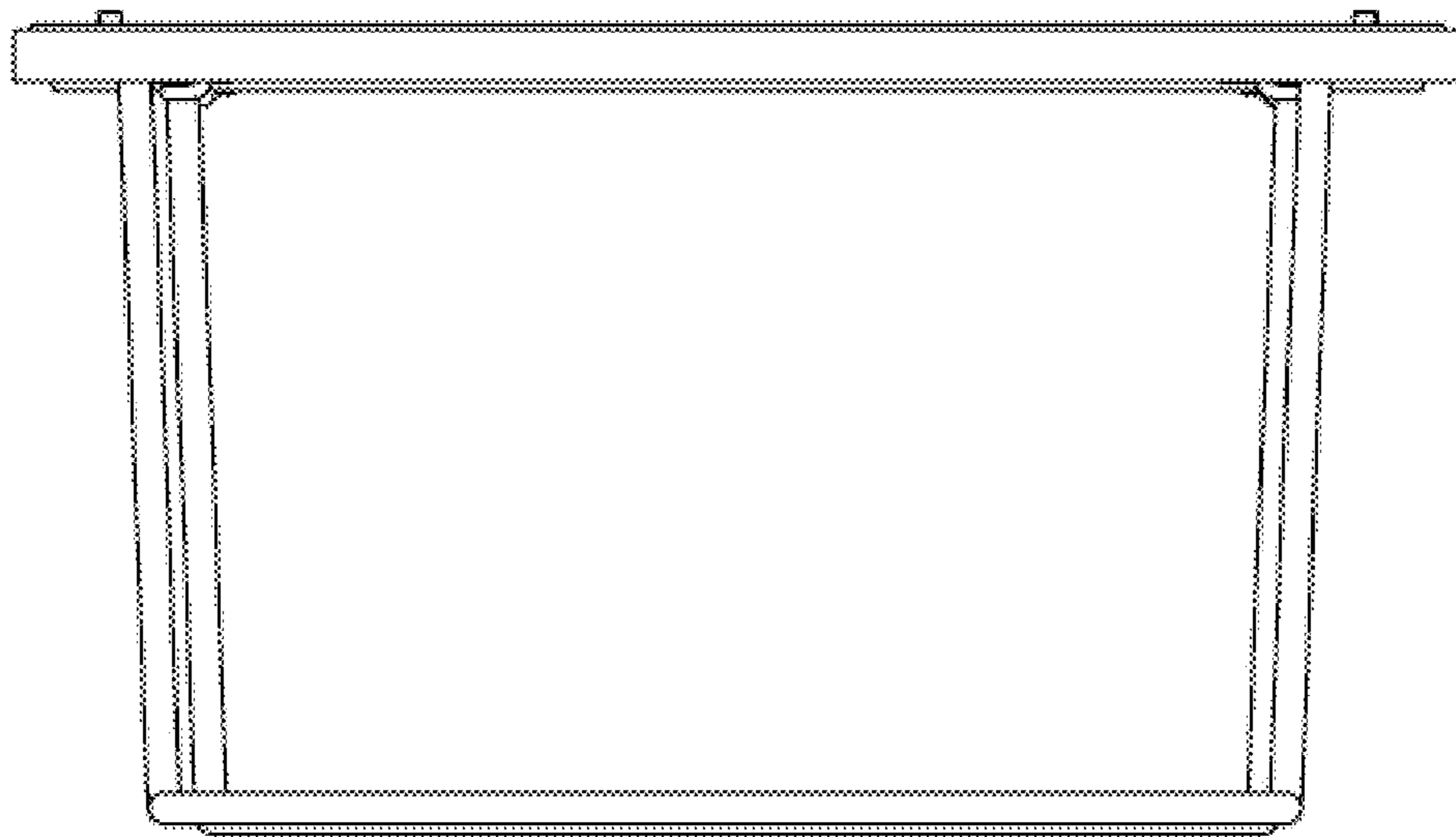


FIGURE 5

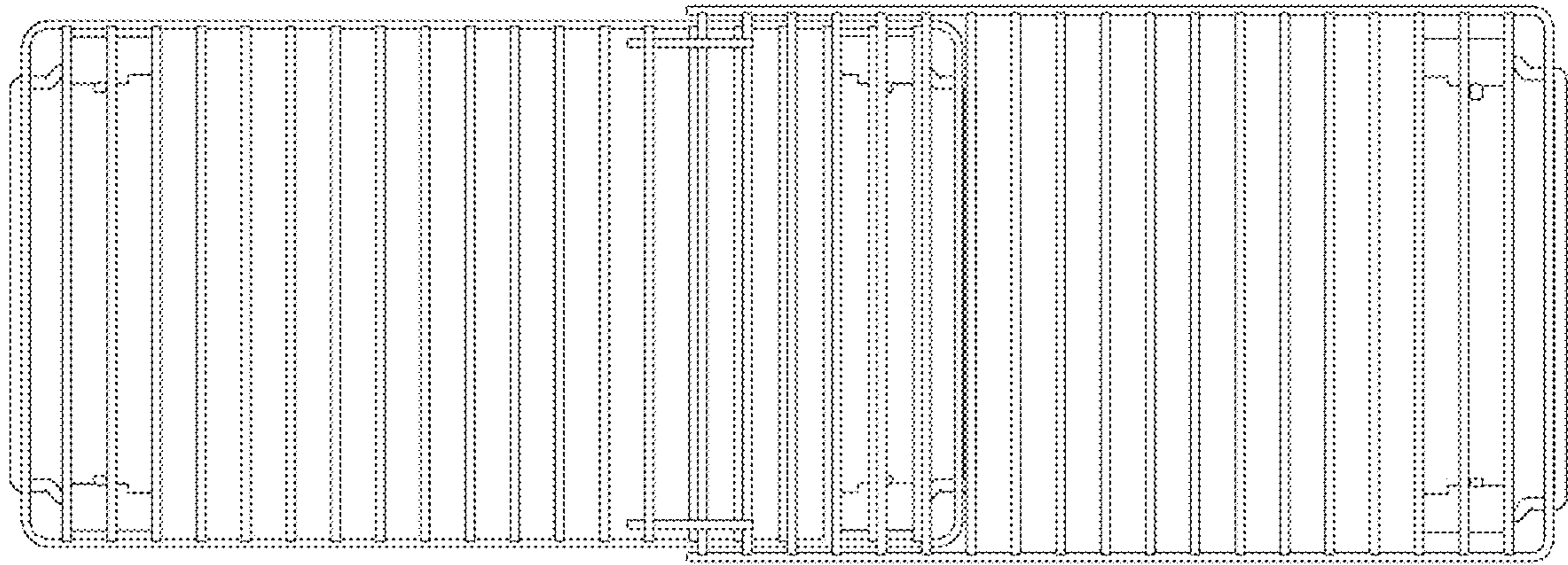


FIGURE 6

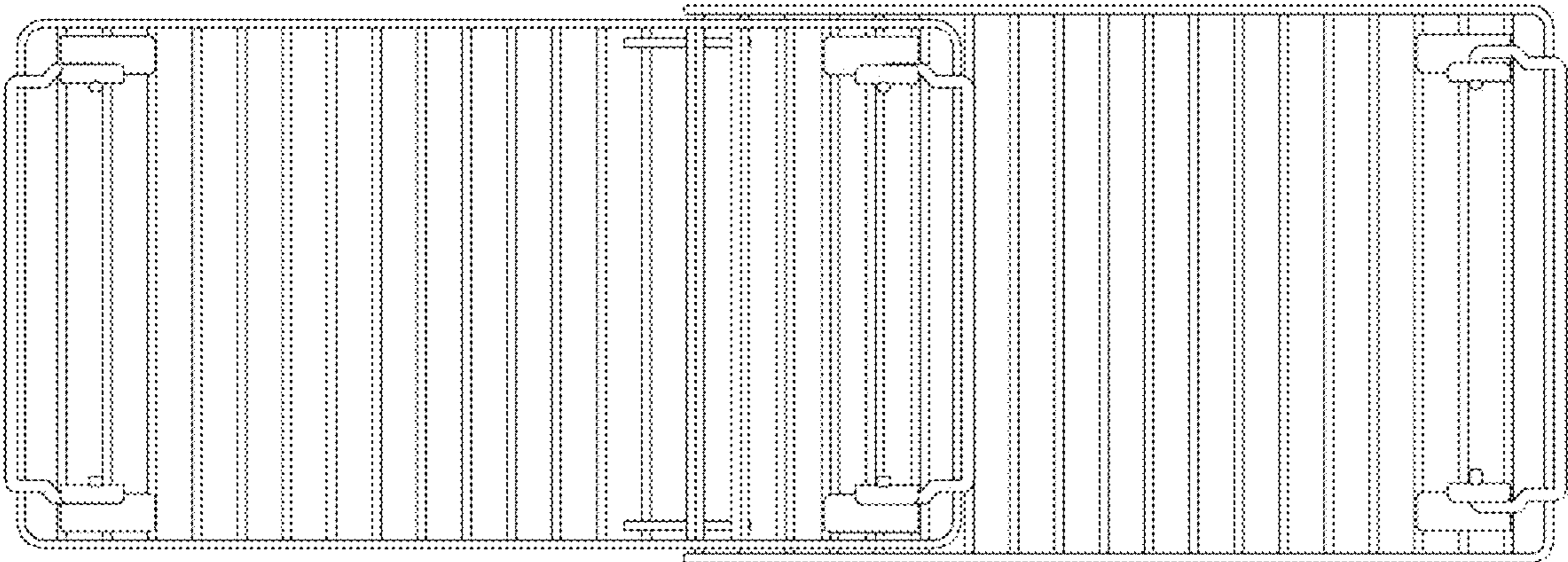


FIGURE 7



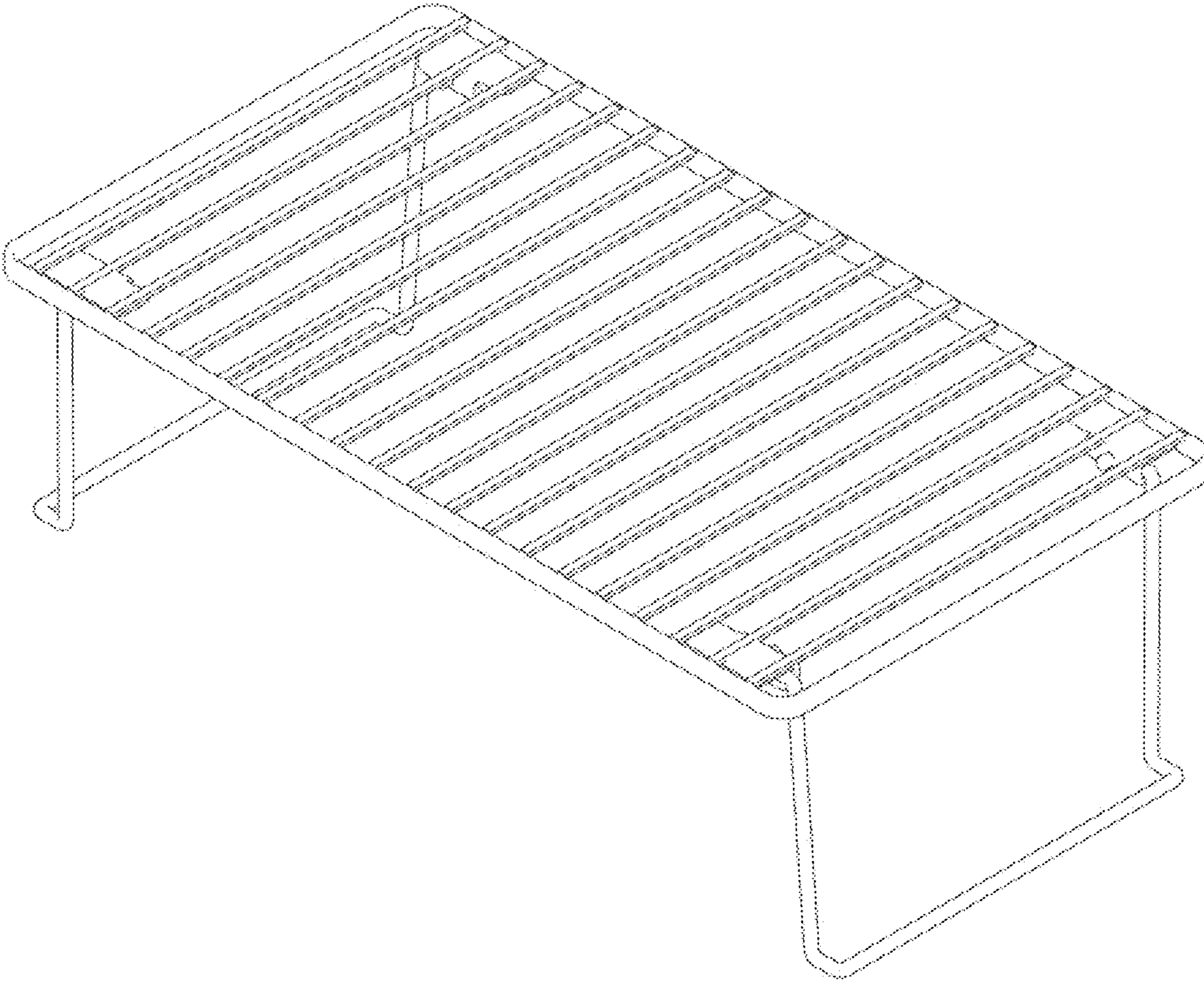


FIGURE 8

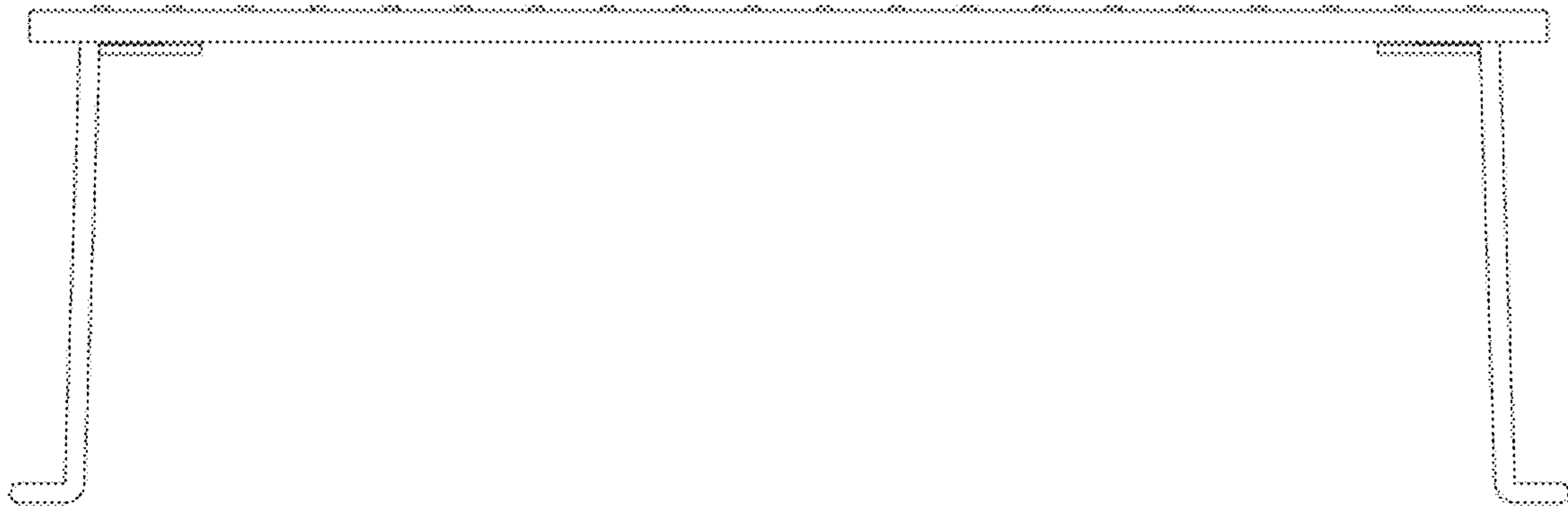


FIGURE 9



FIGURE 10



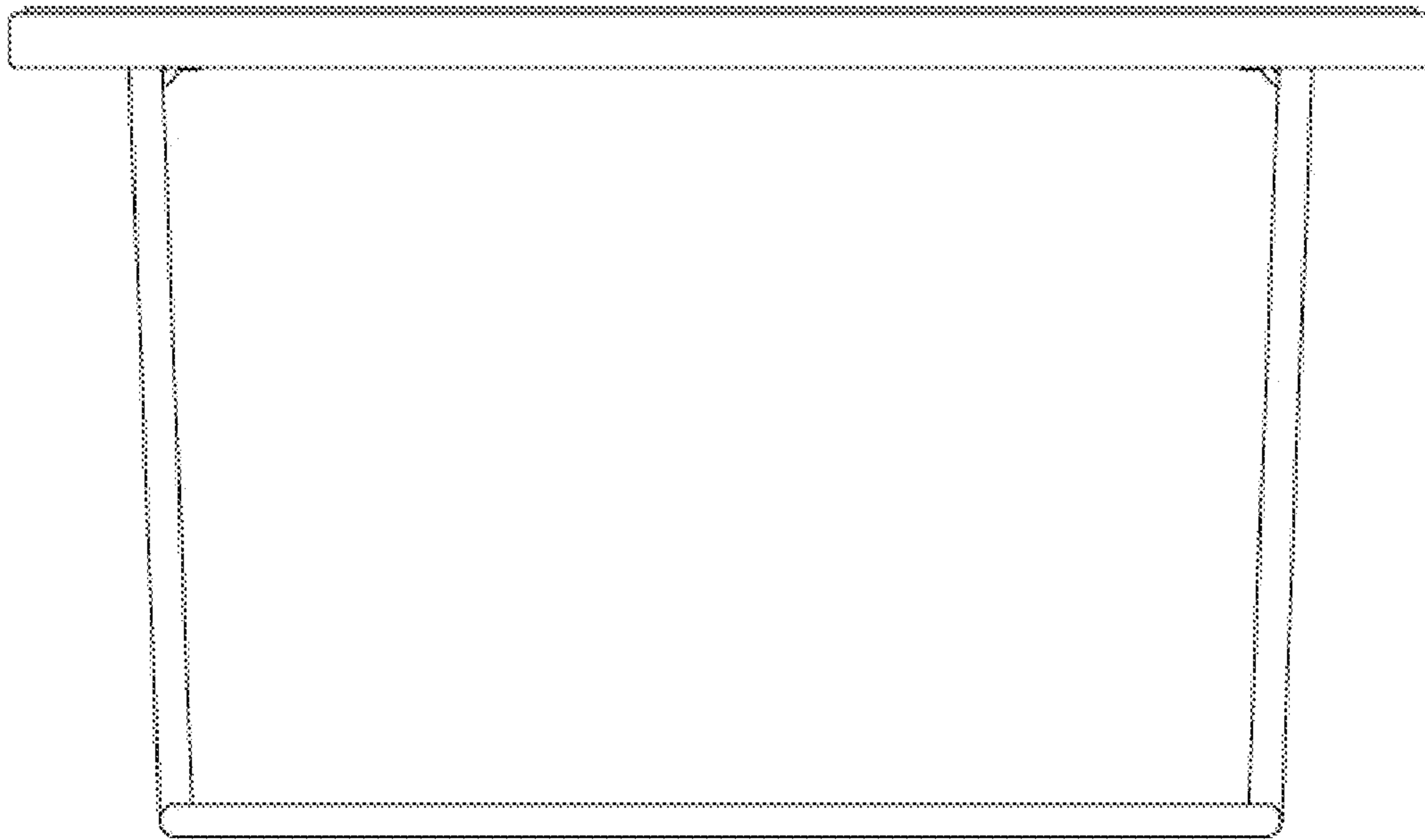


FIGURE 11



FIGURE 12

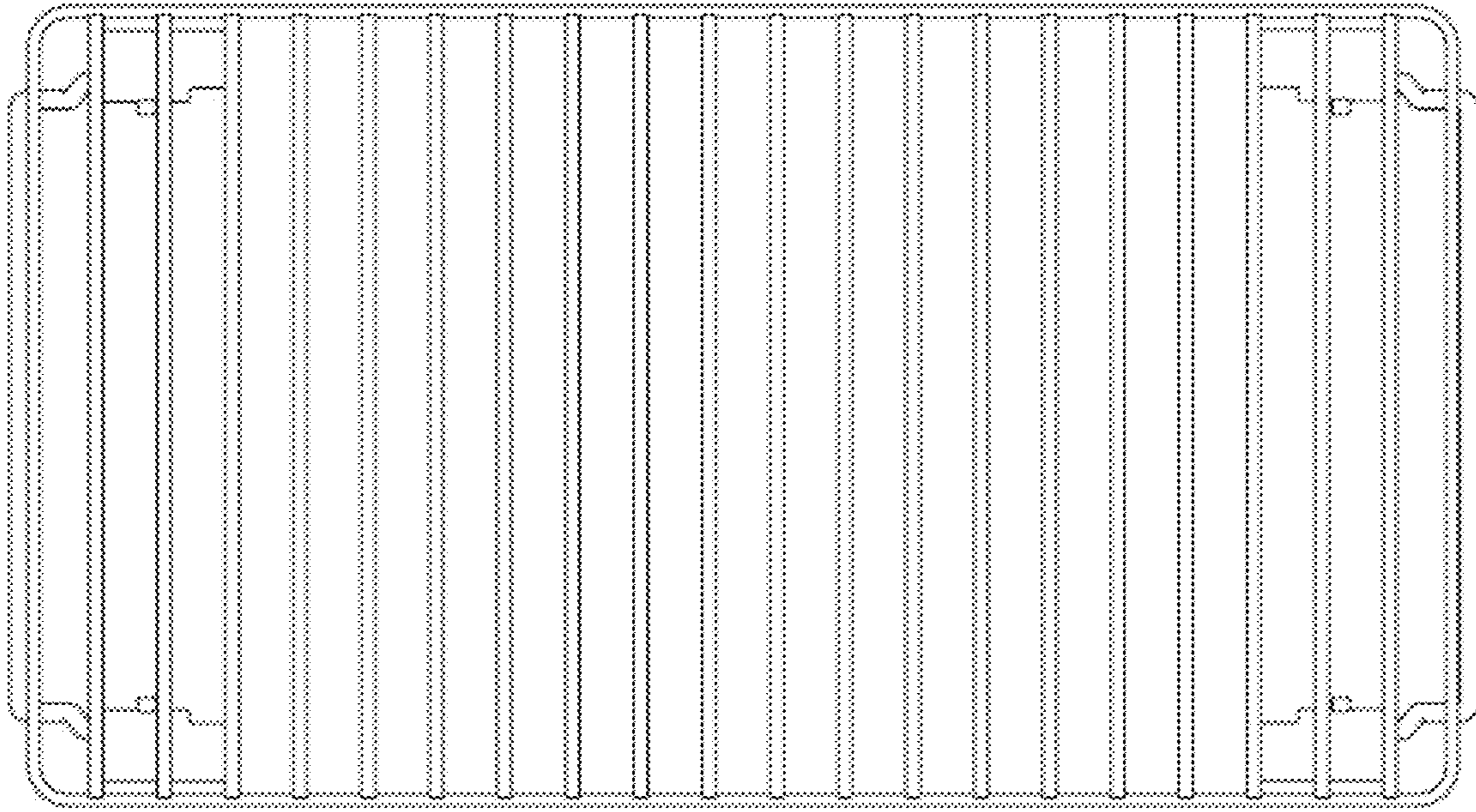


FIGURE 13

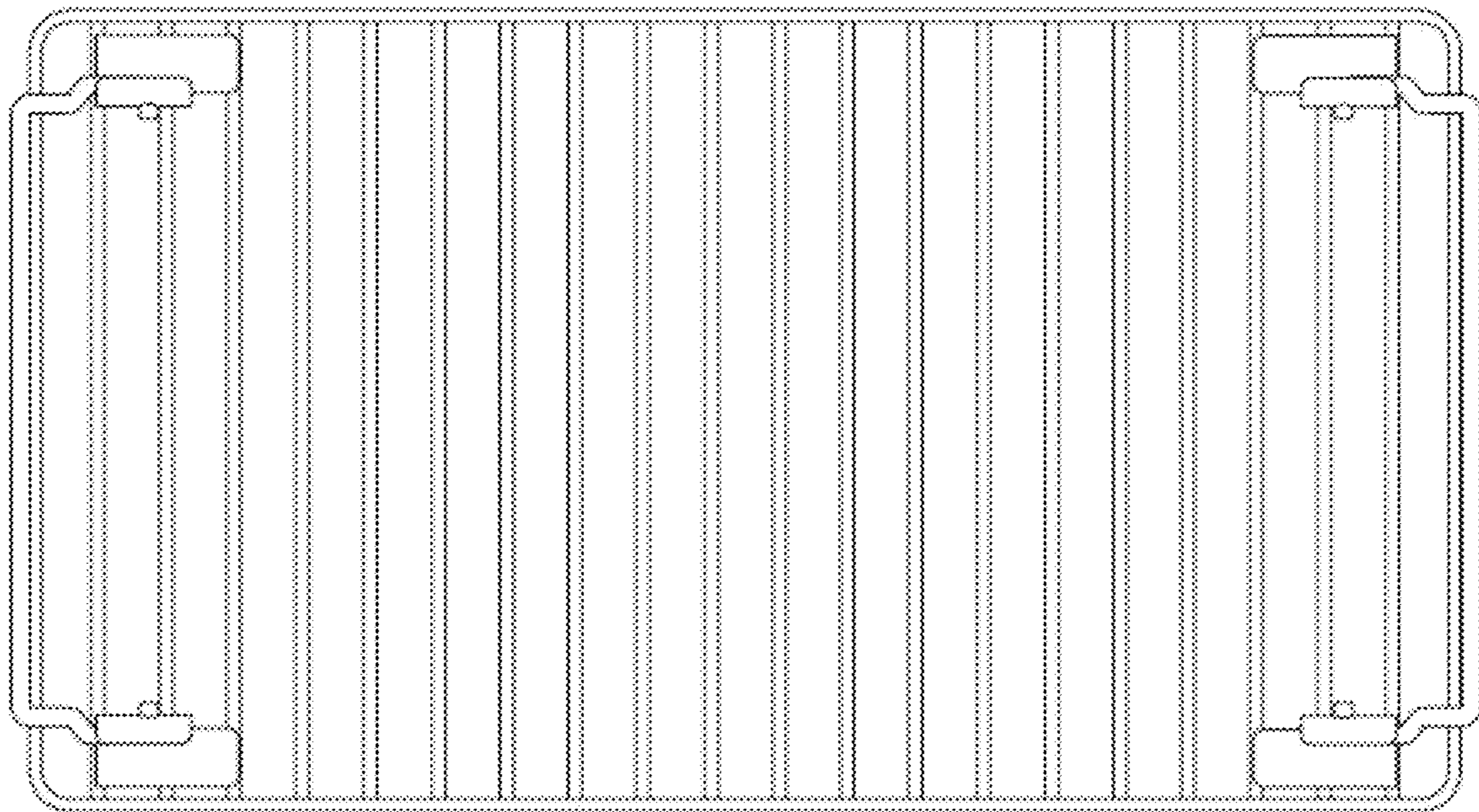


FIGURE 14

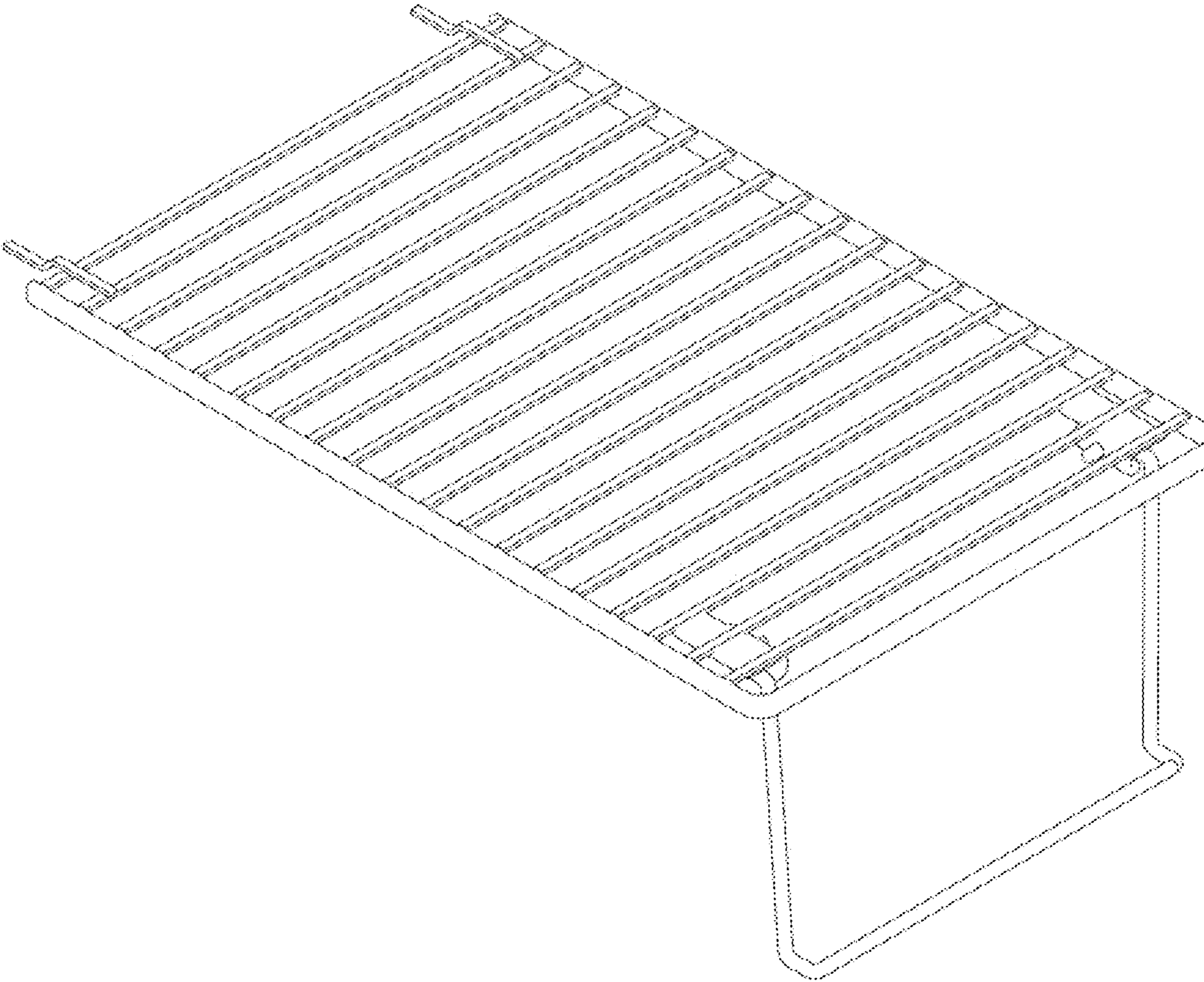


FIGURE 15





FIGURE 16

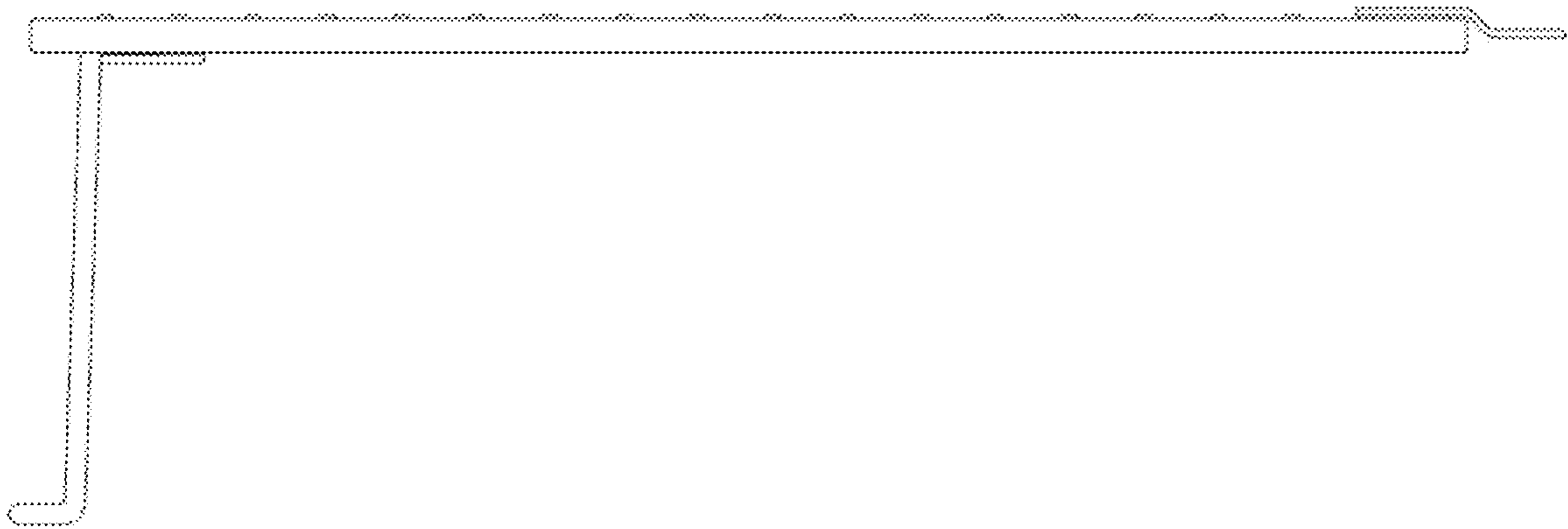


FIGURE 17



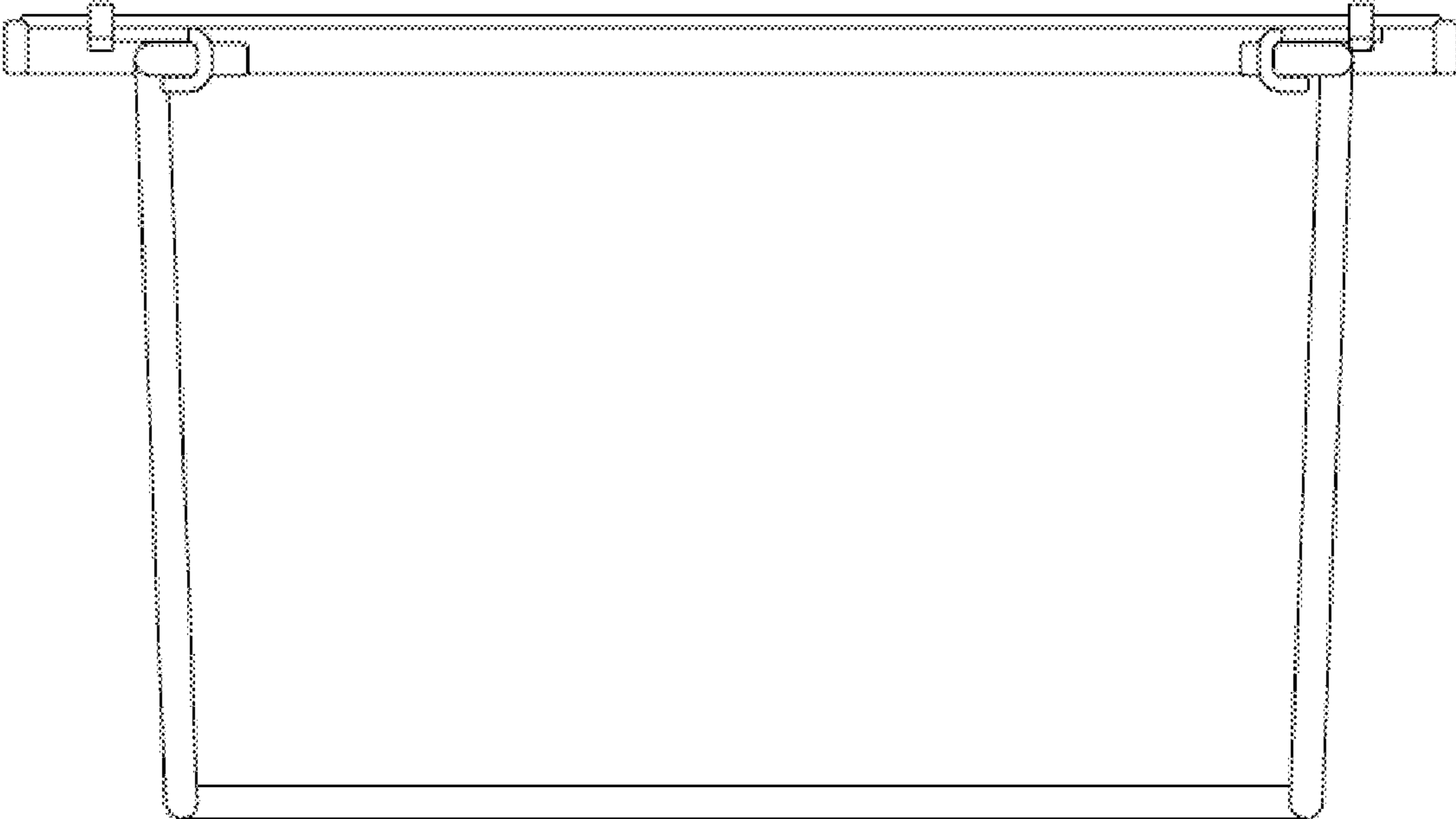


FIGURE 18

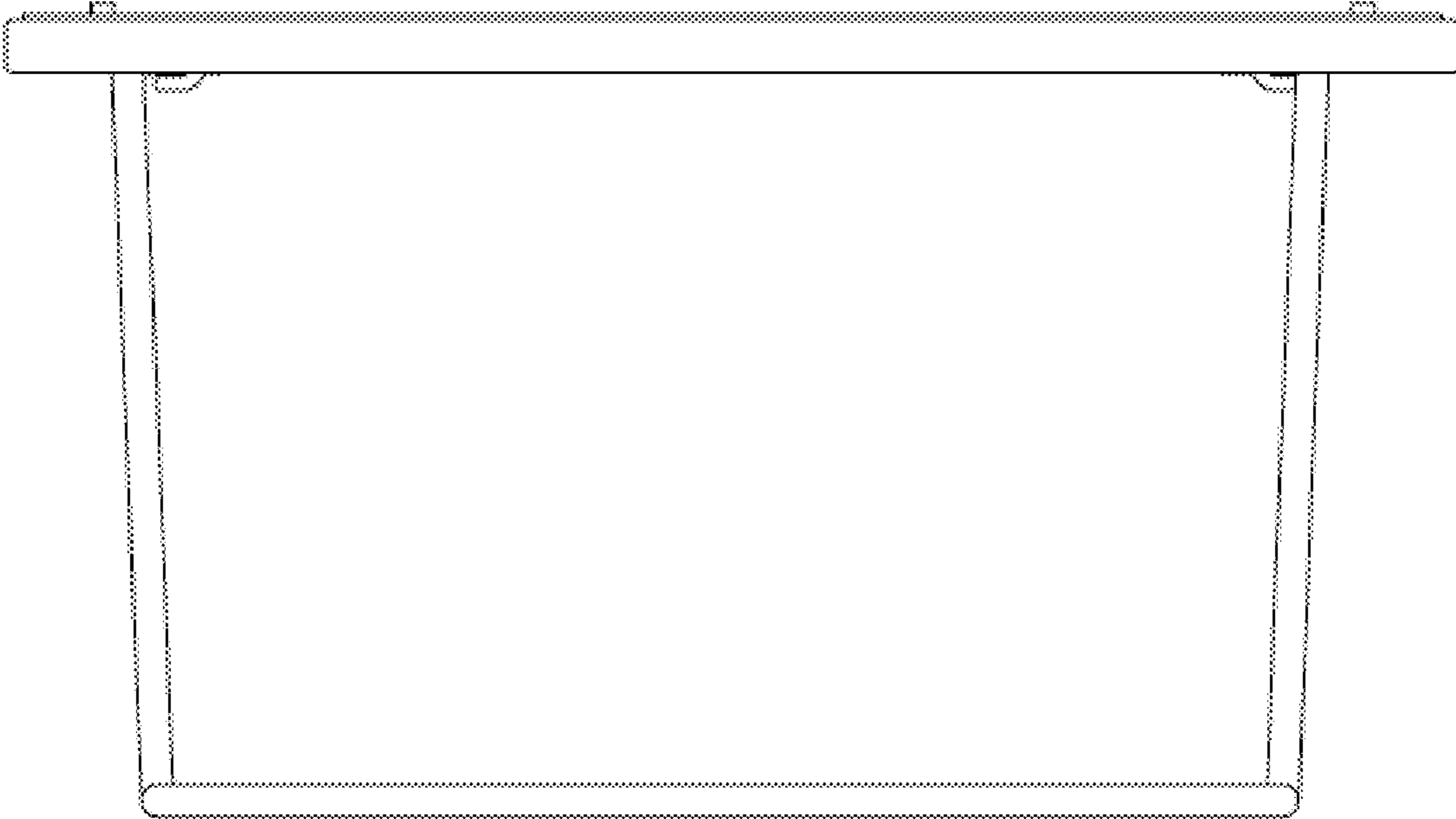


FIGURE 19

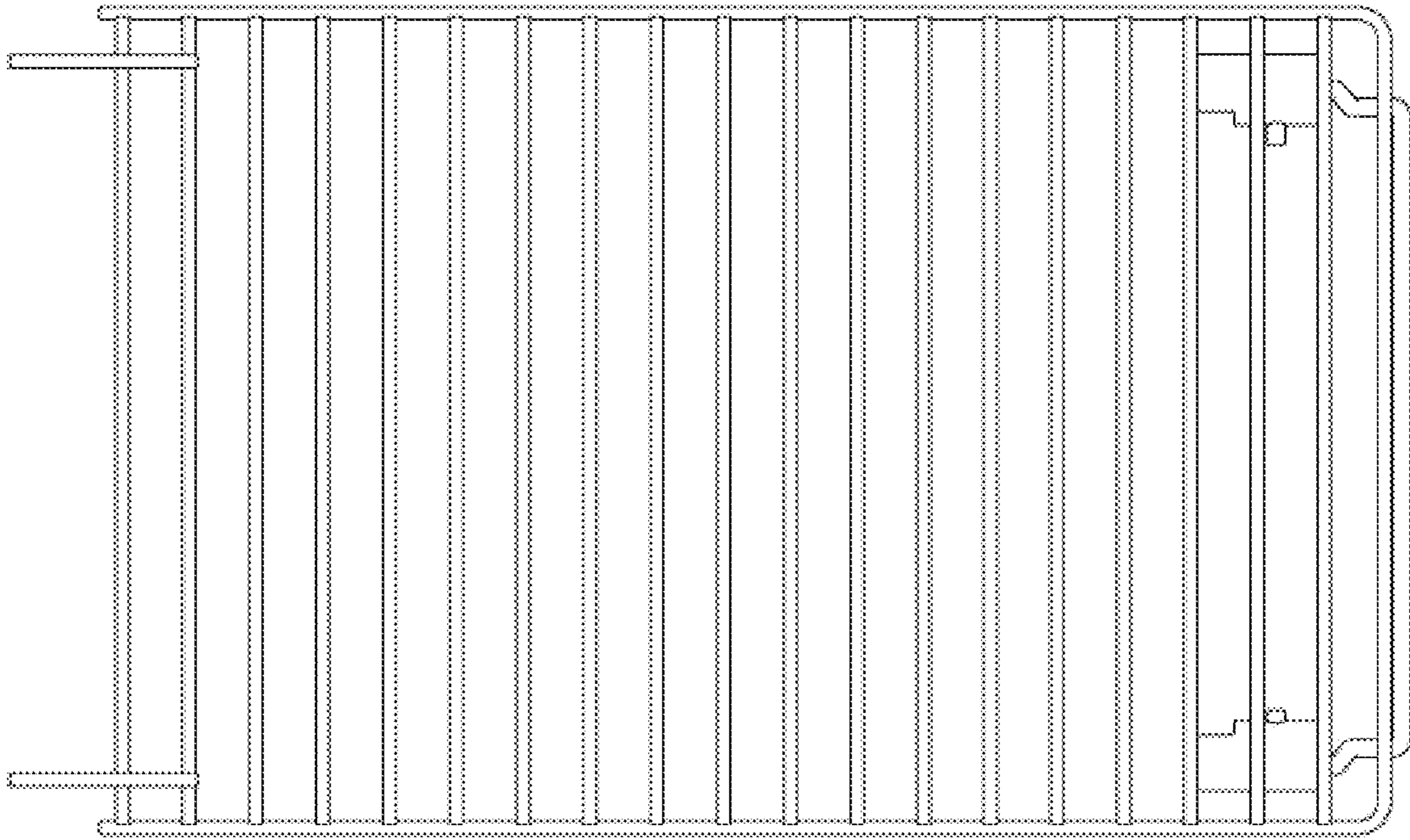


FIGURE 20

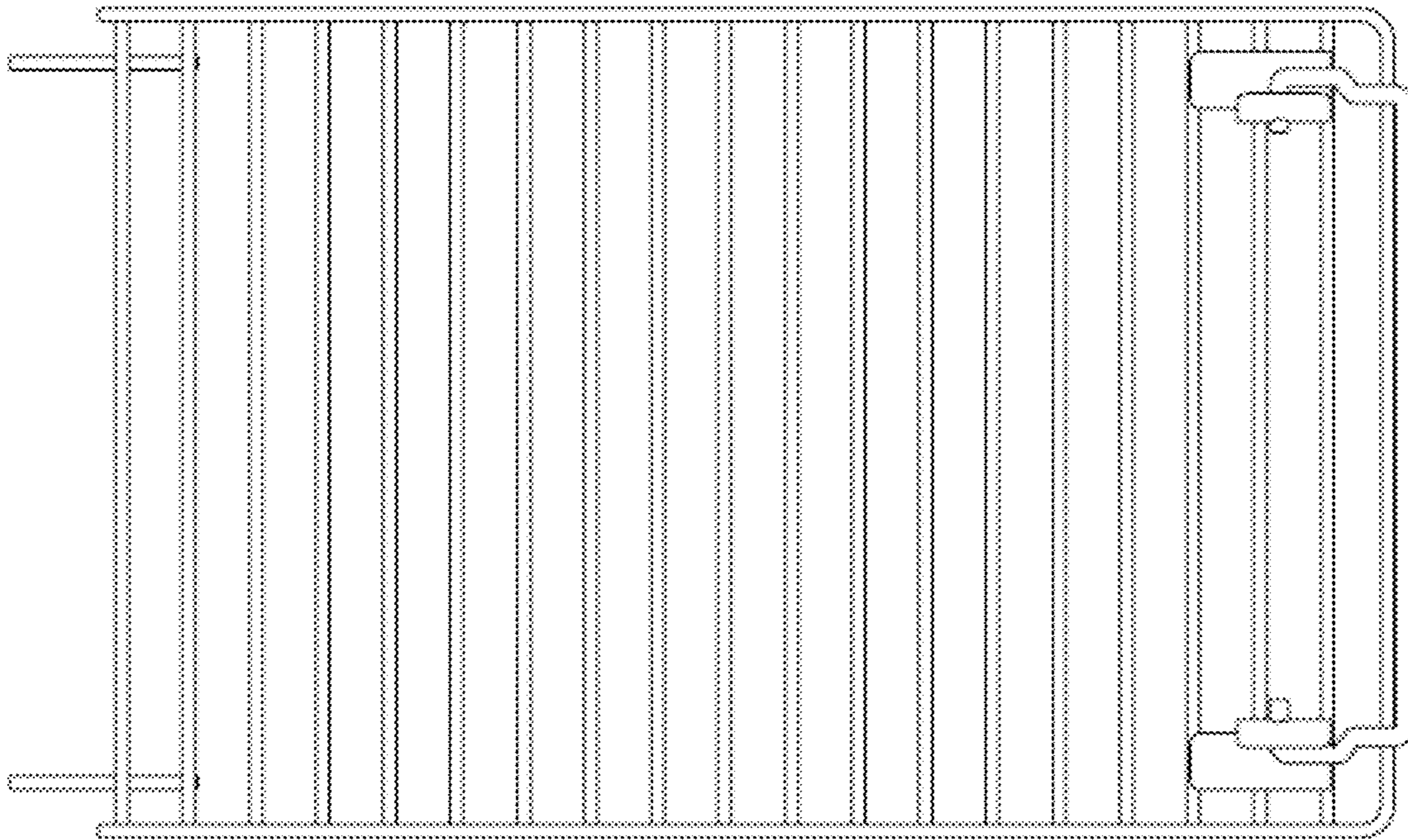


FIGURE 21

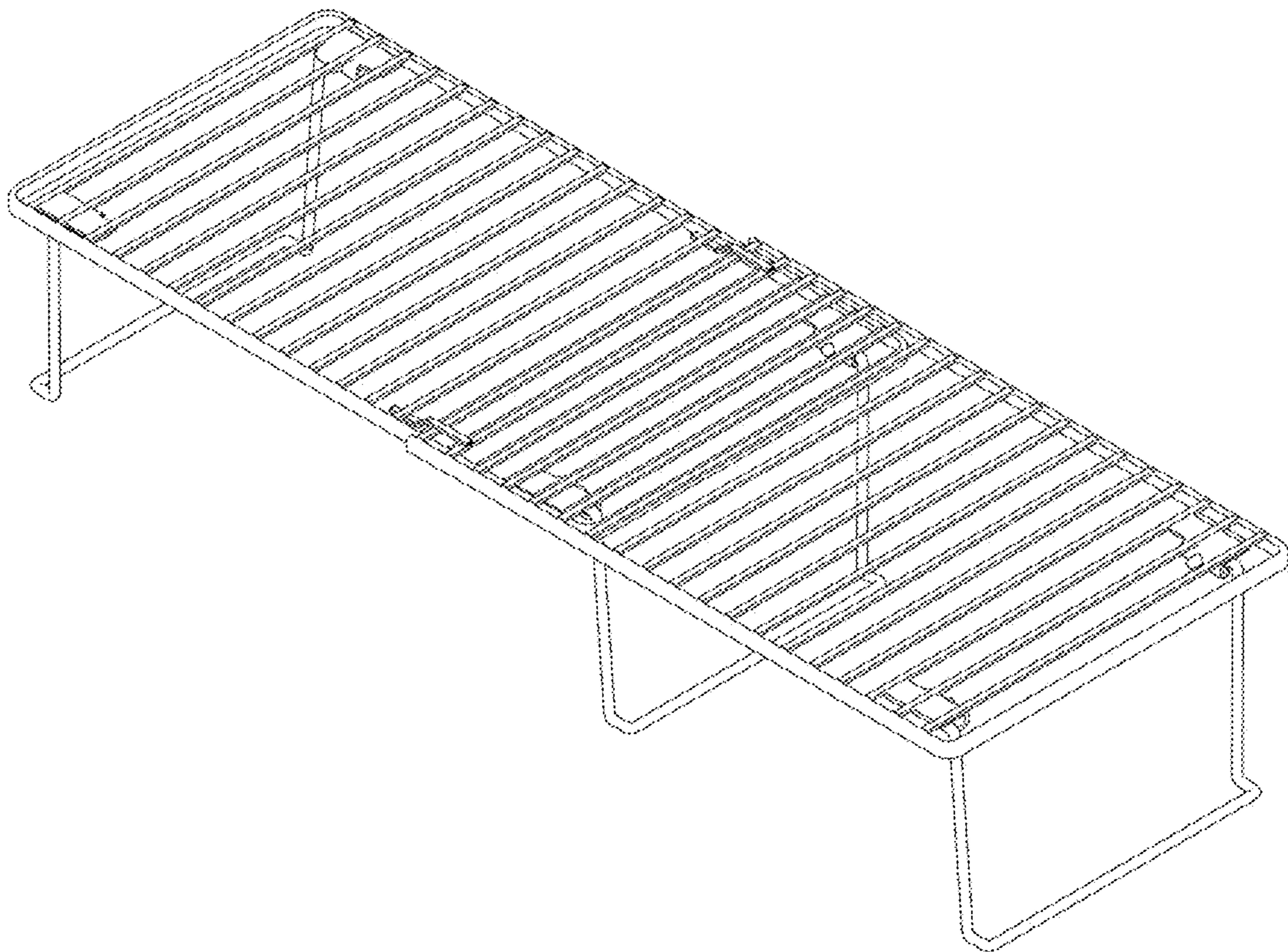


FIGURE 22

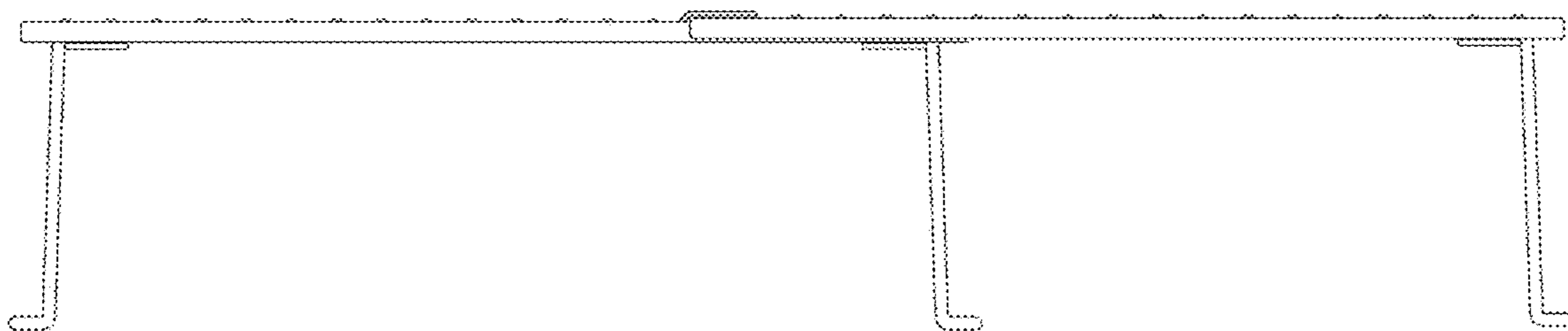


FIGURE 23

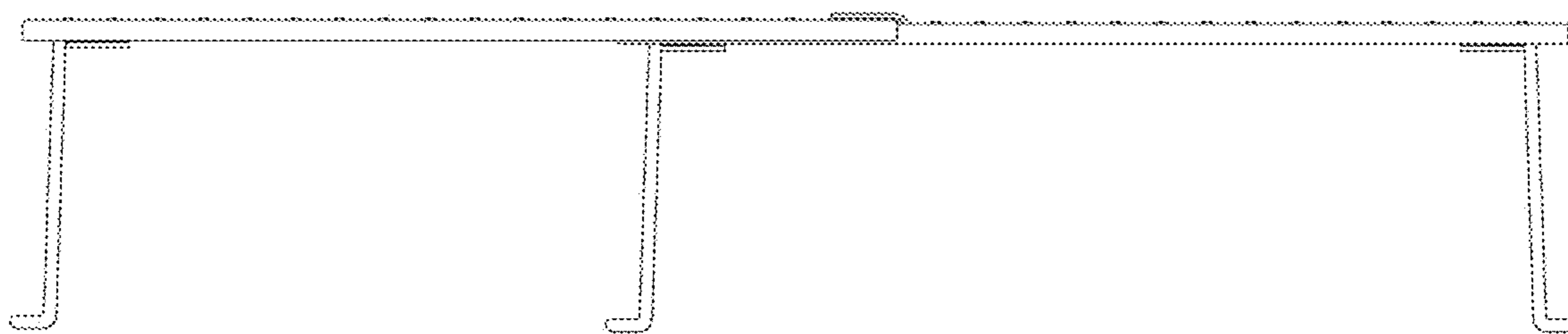


FIGURE 24



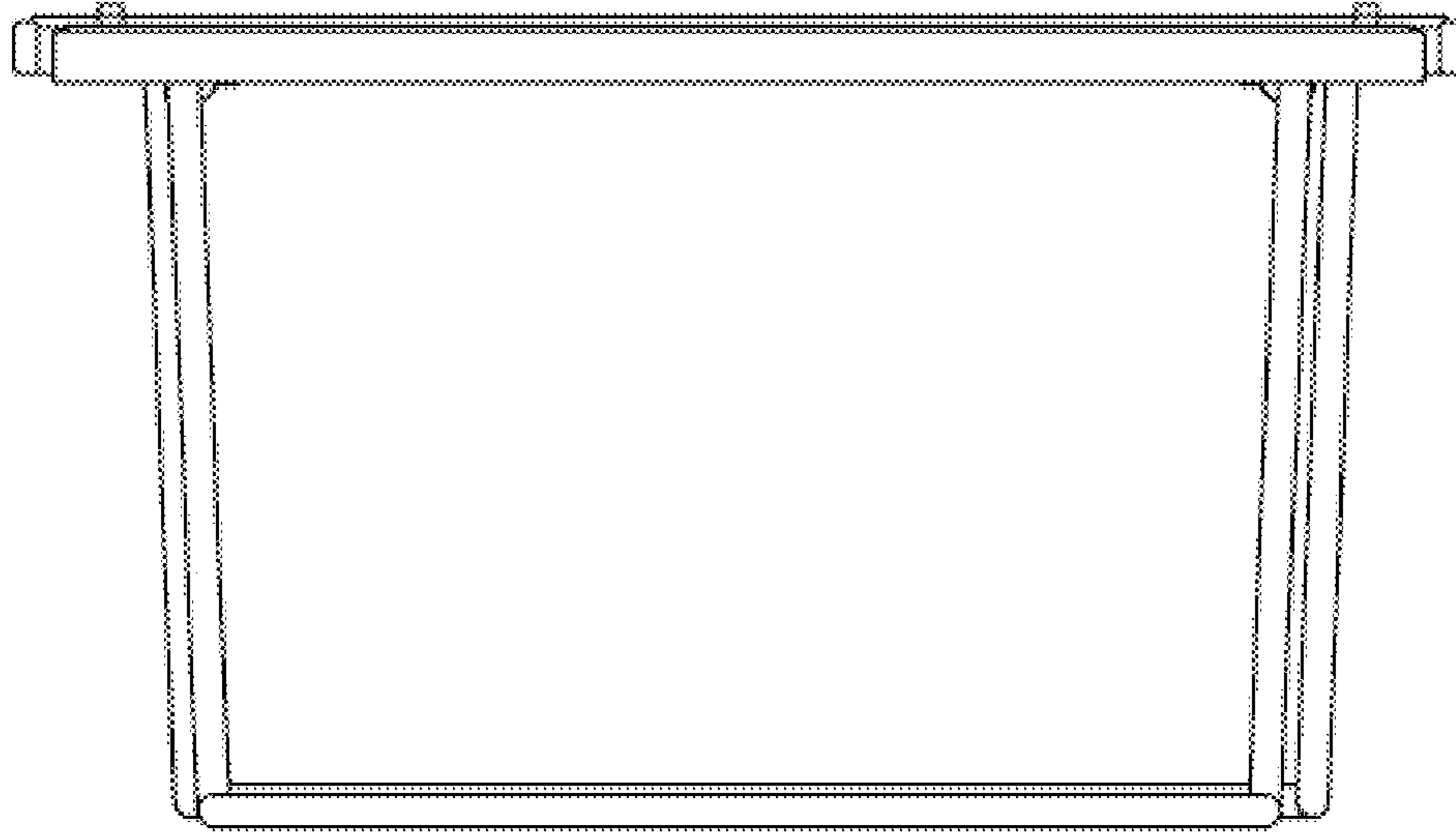


FIGURE 25

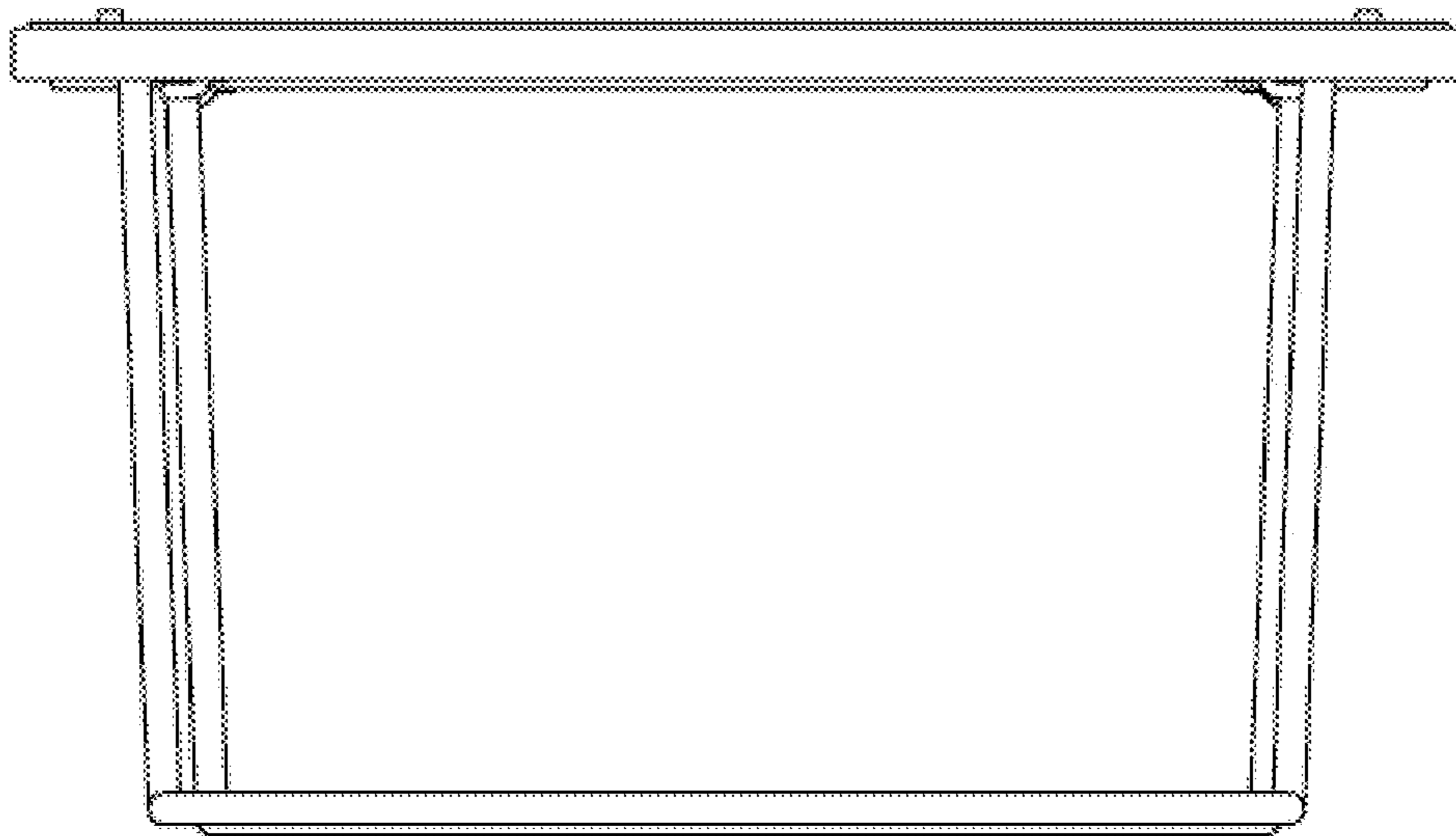


FIGURE 26

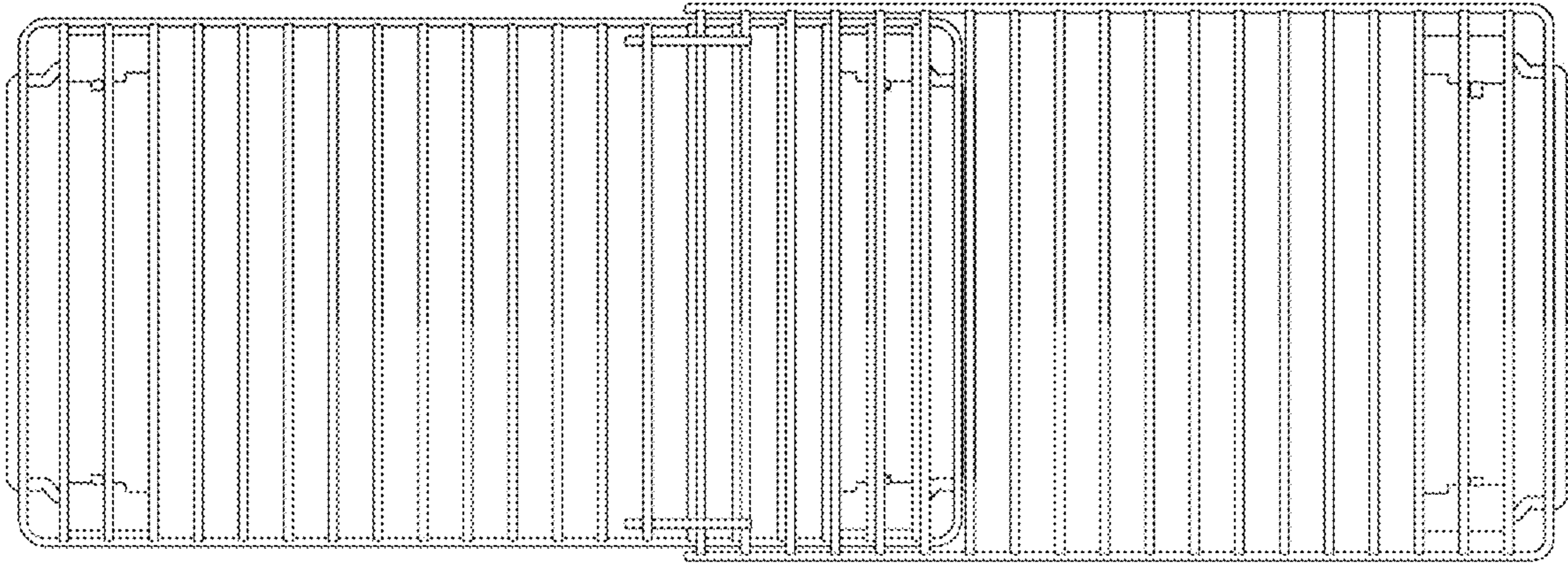


FIGURE 27

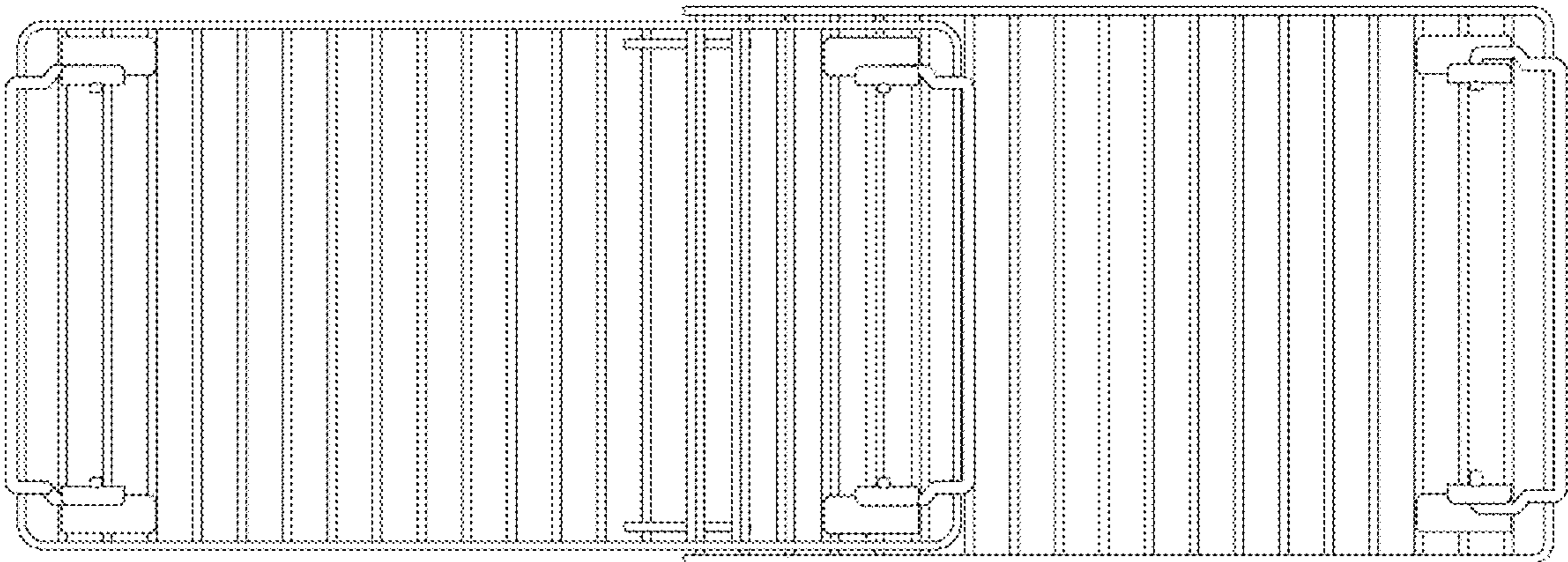


FIGURE 28

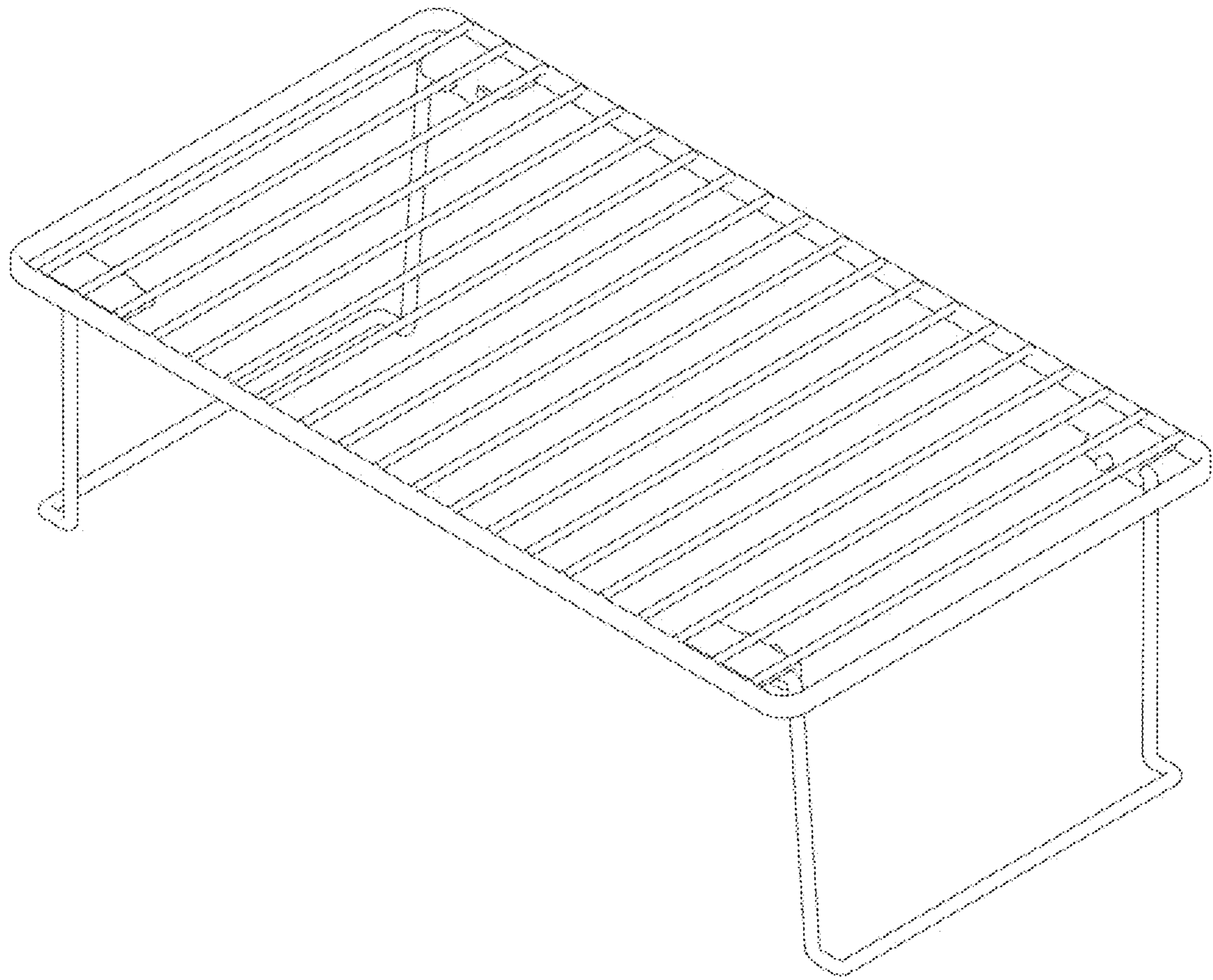


FIGURE 29

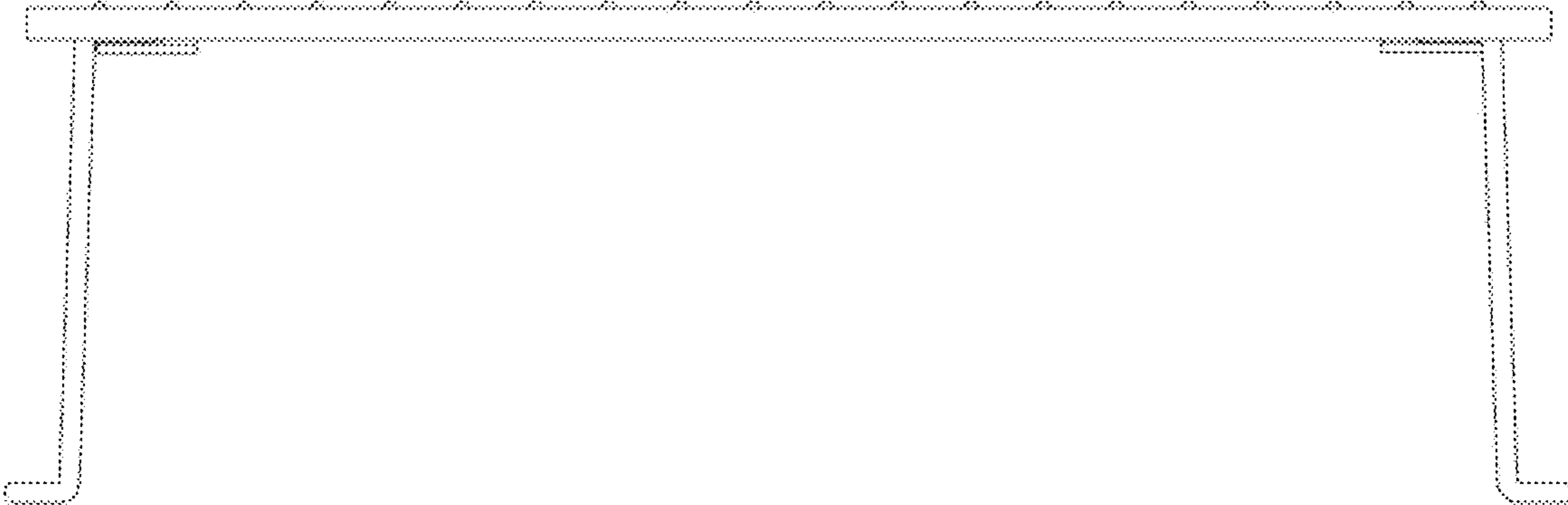


FIGURE 30

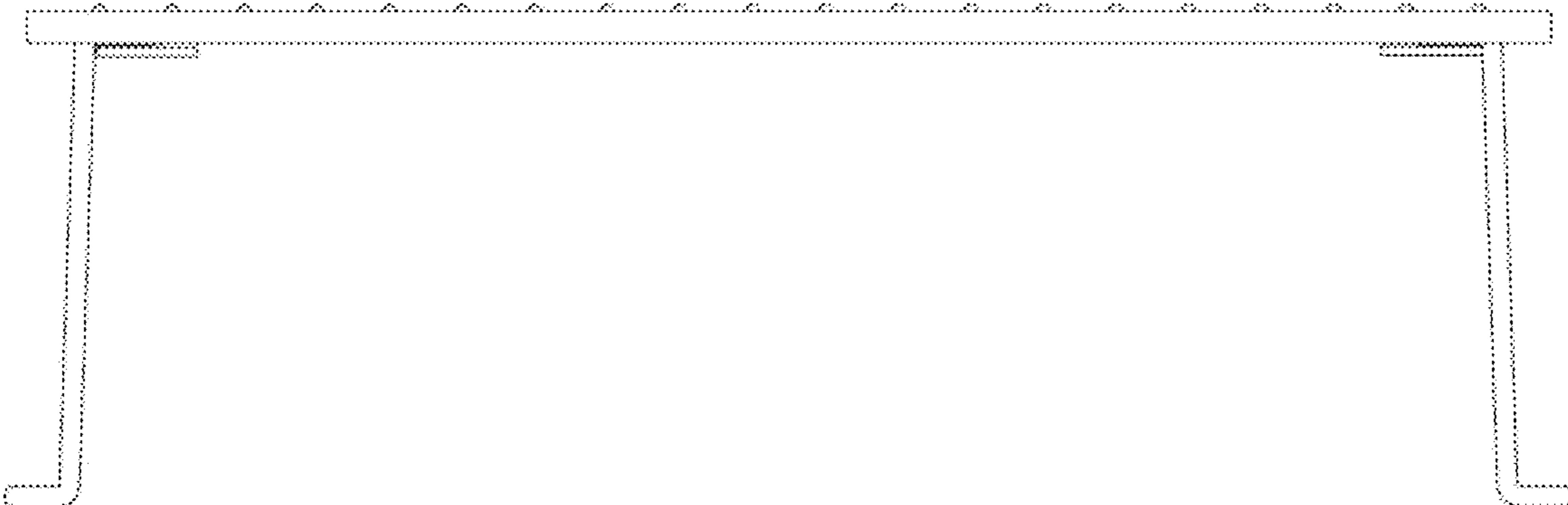


FIGURE 31



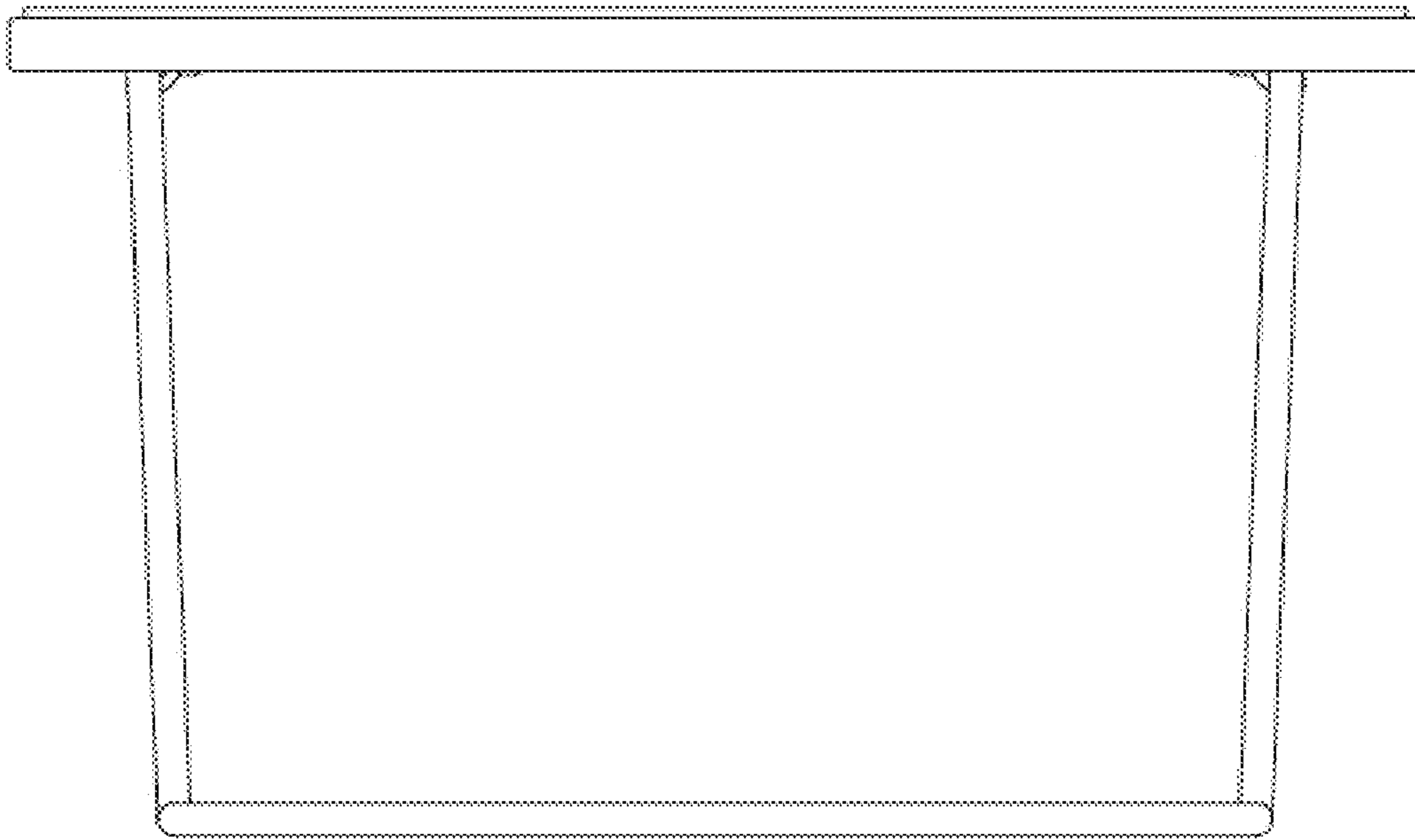


FIGURE 32

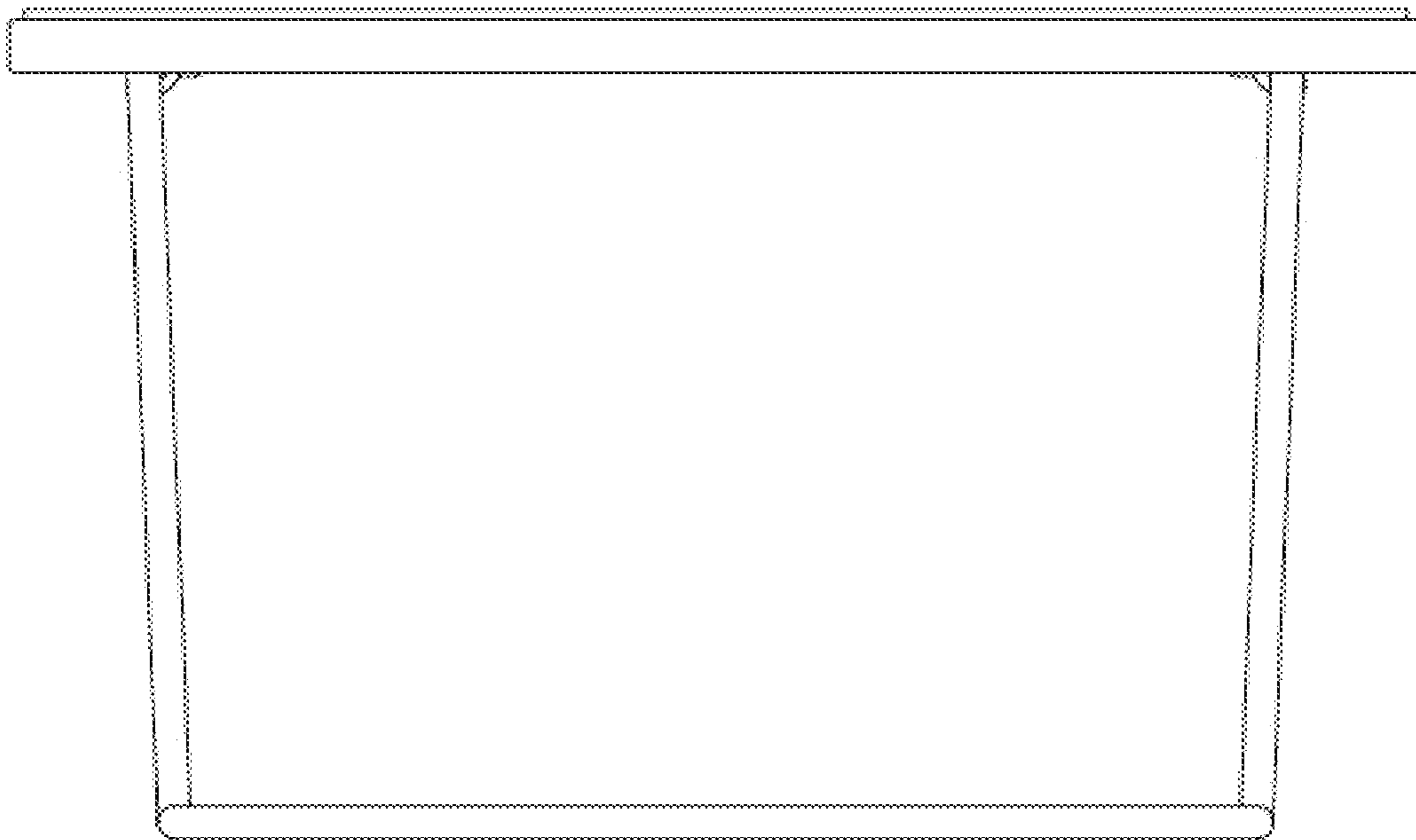


FIGURE 33

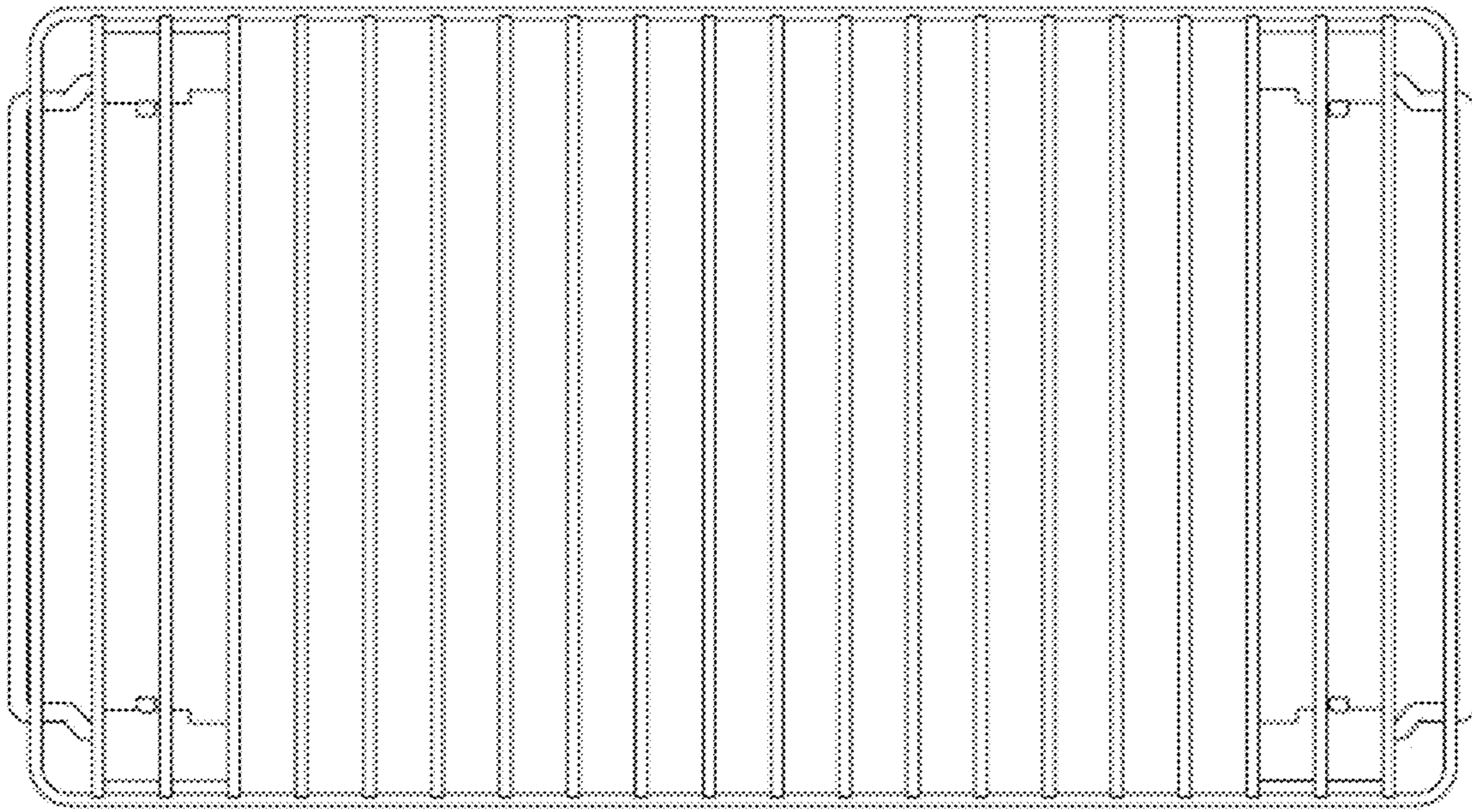


FIGURE 34

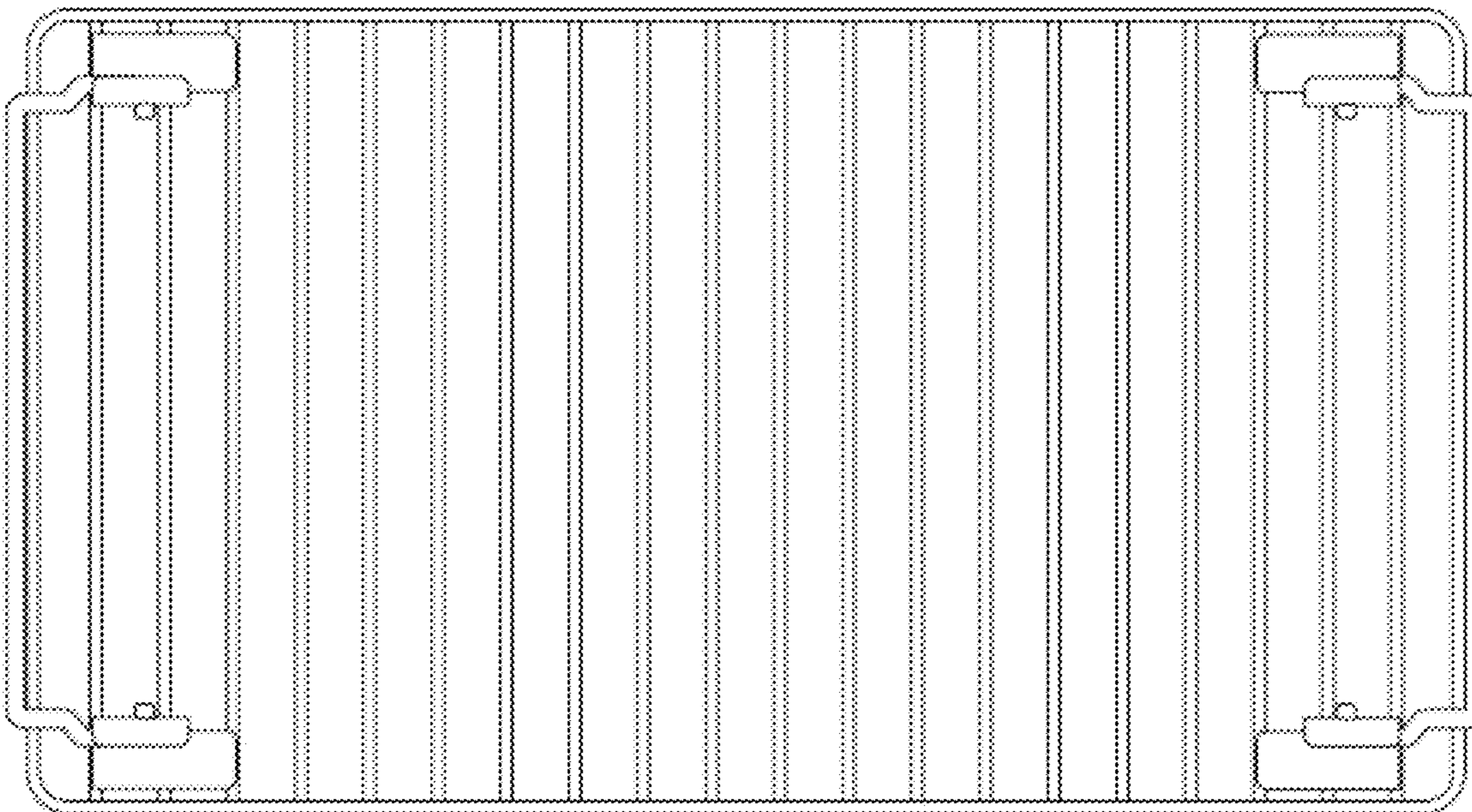


FIGURE 35

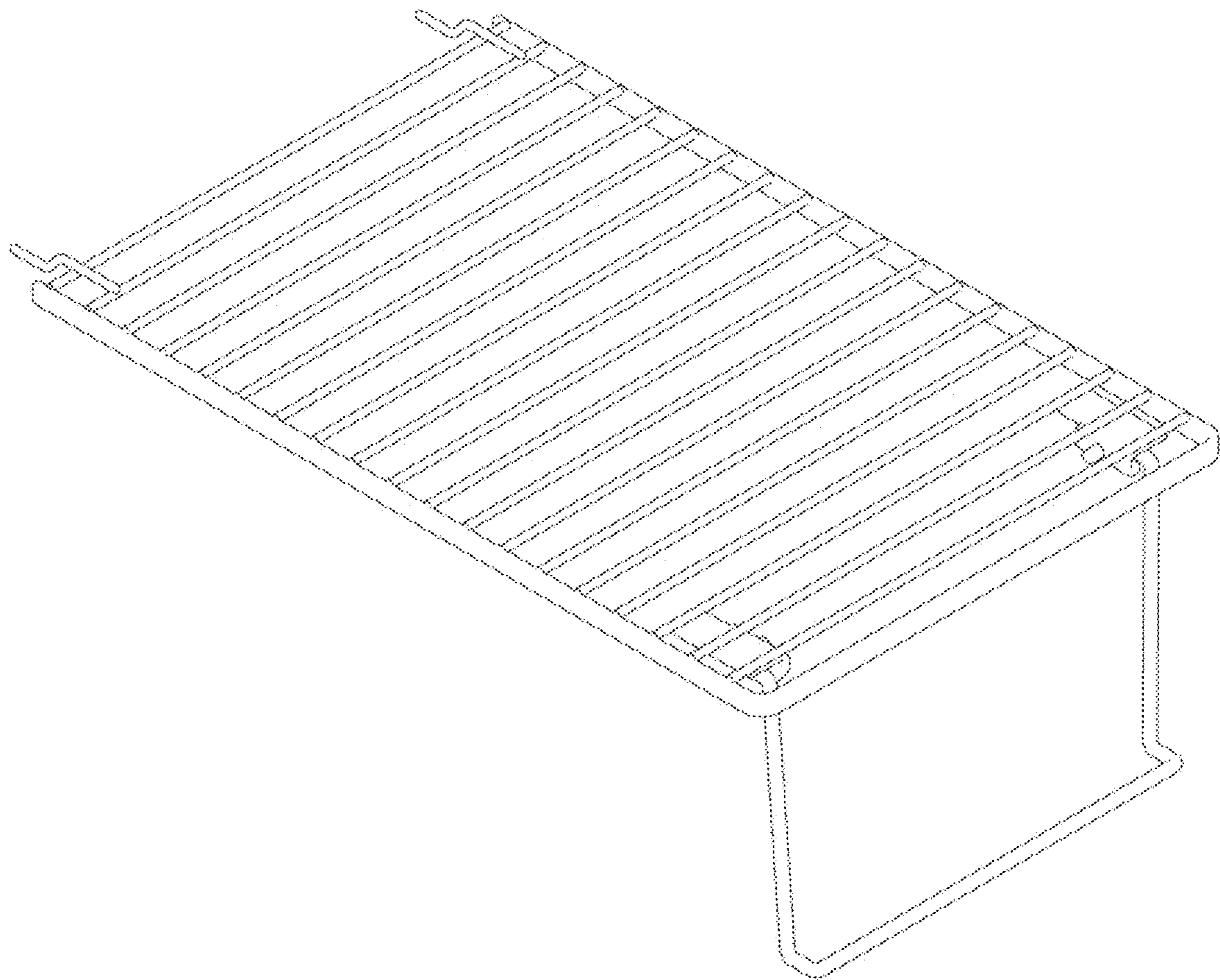


FIGURE 36

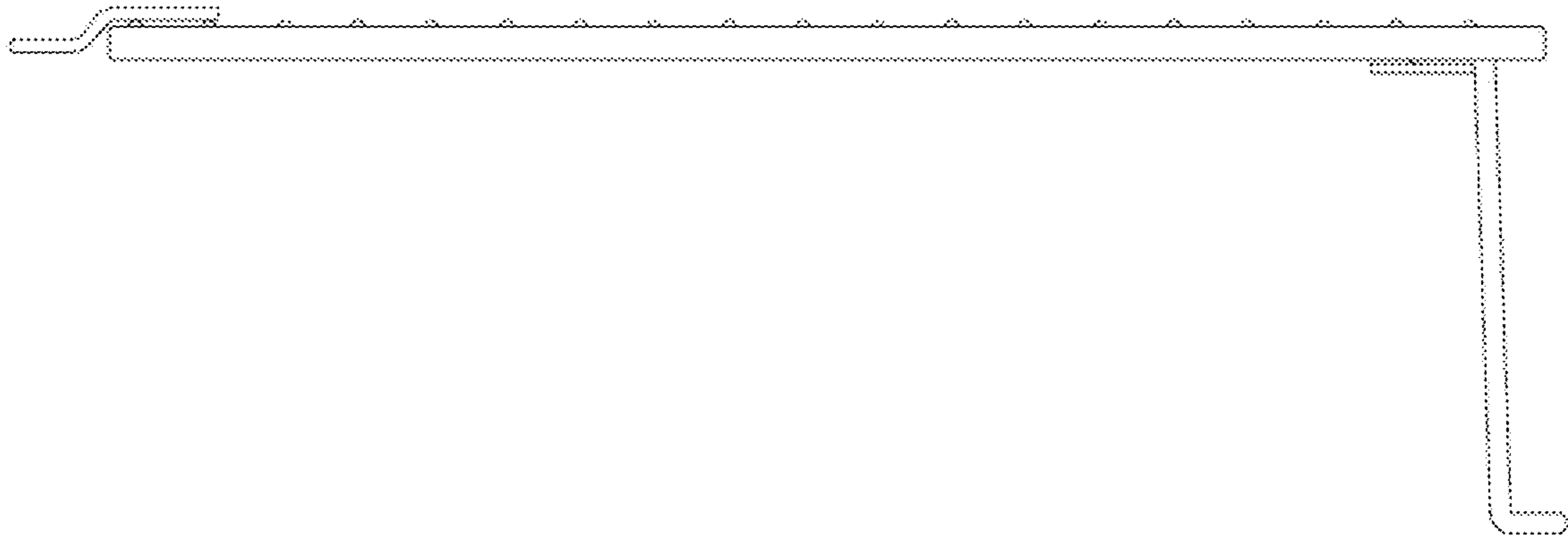


FIGURE 37

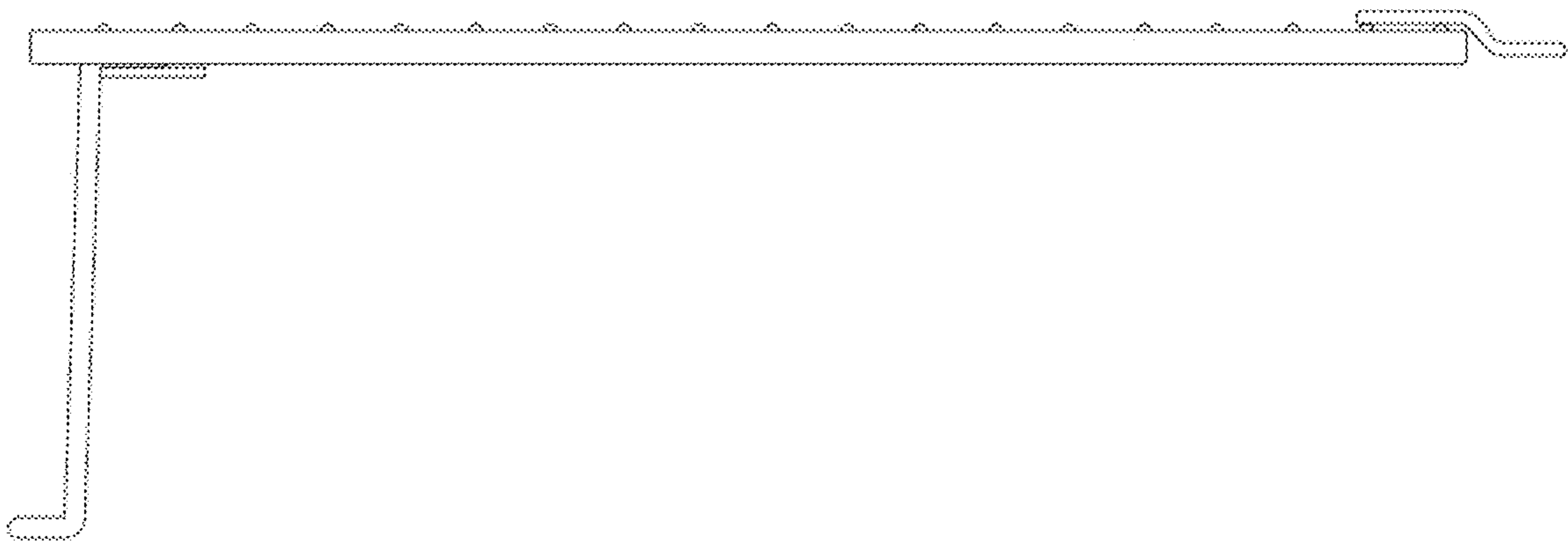


FIGURE 38



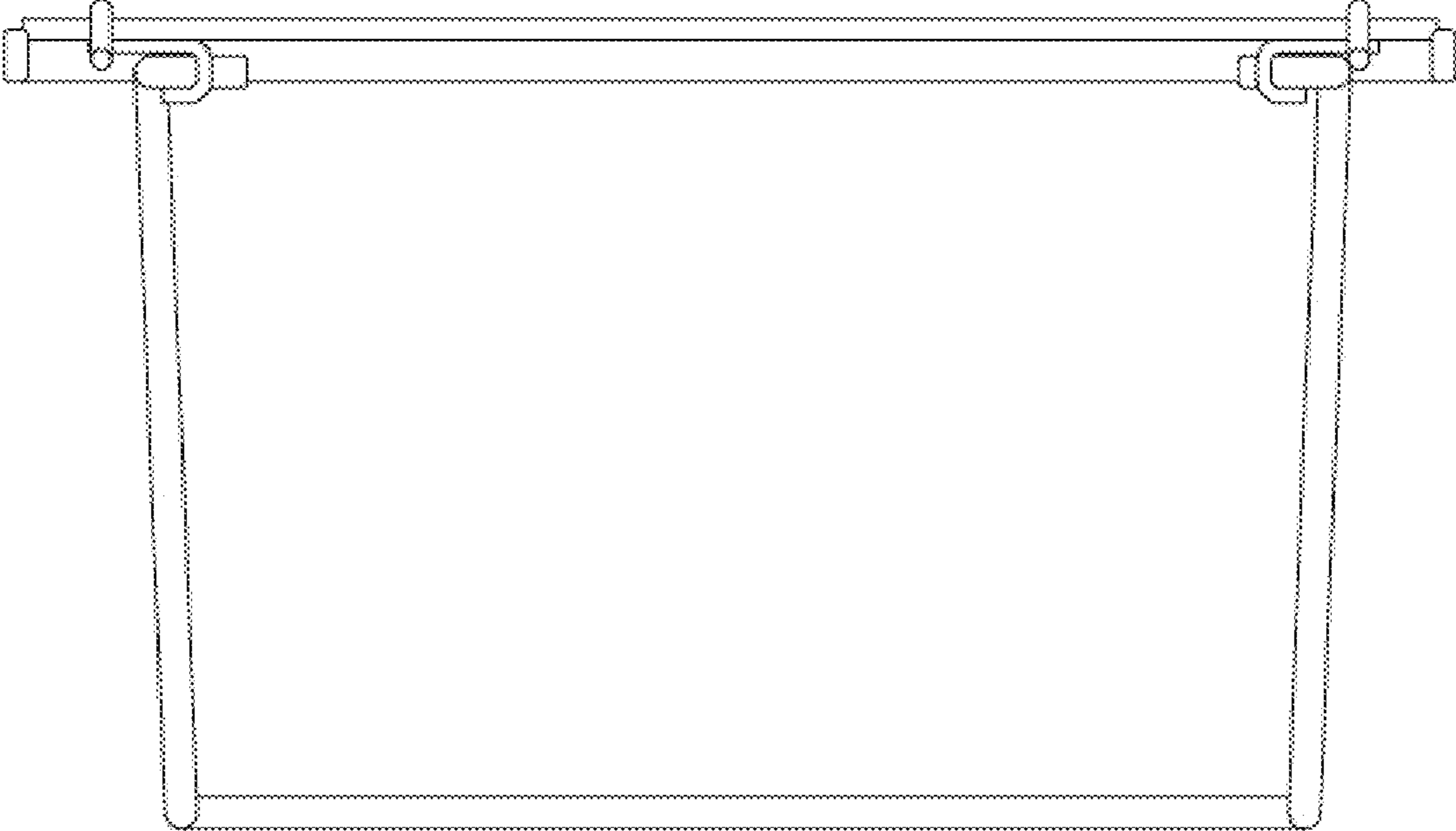


FIGURE 39

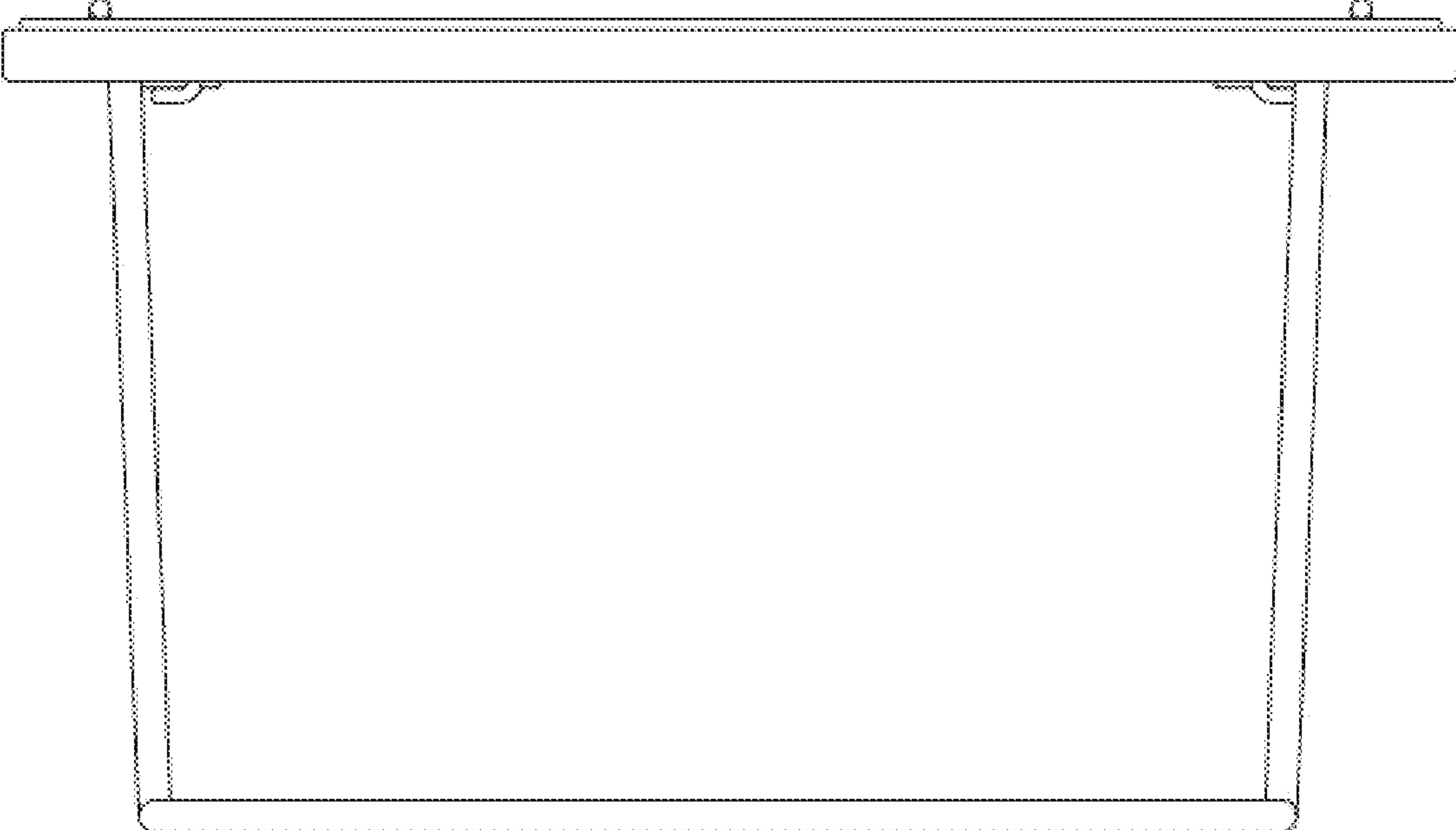


FIGURE 40

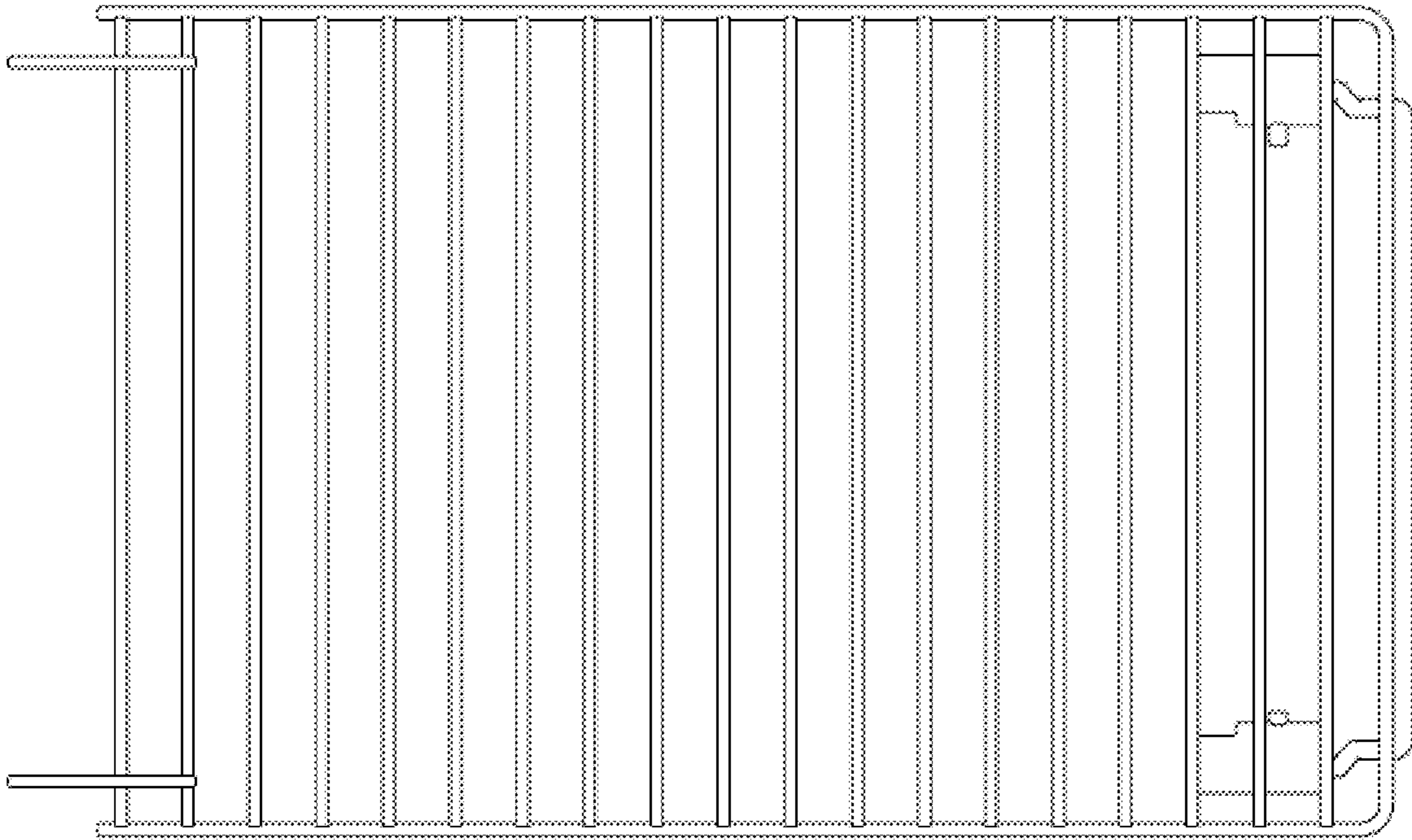


FIGURE 41

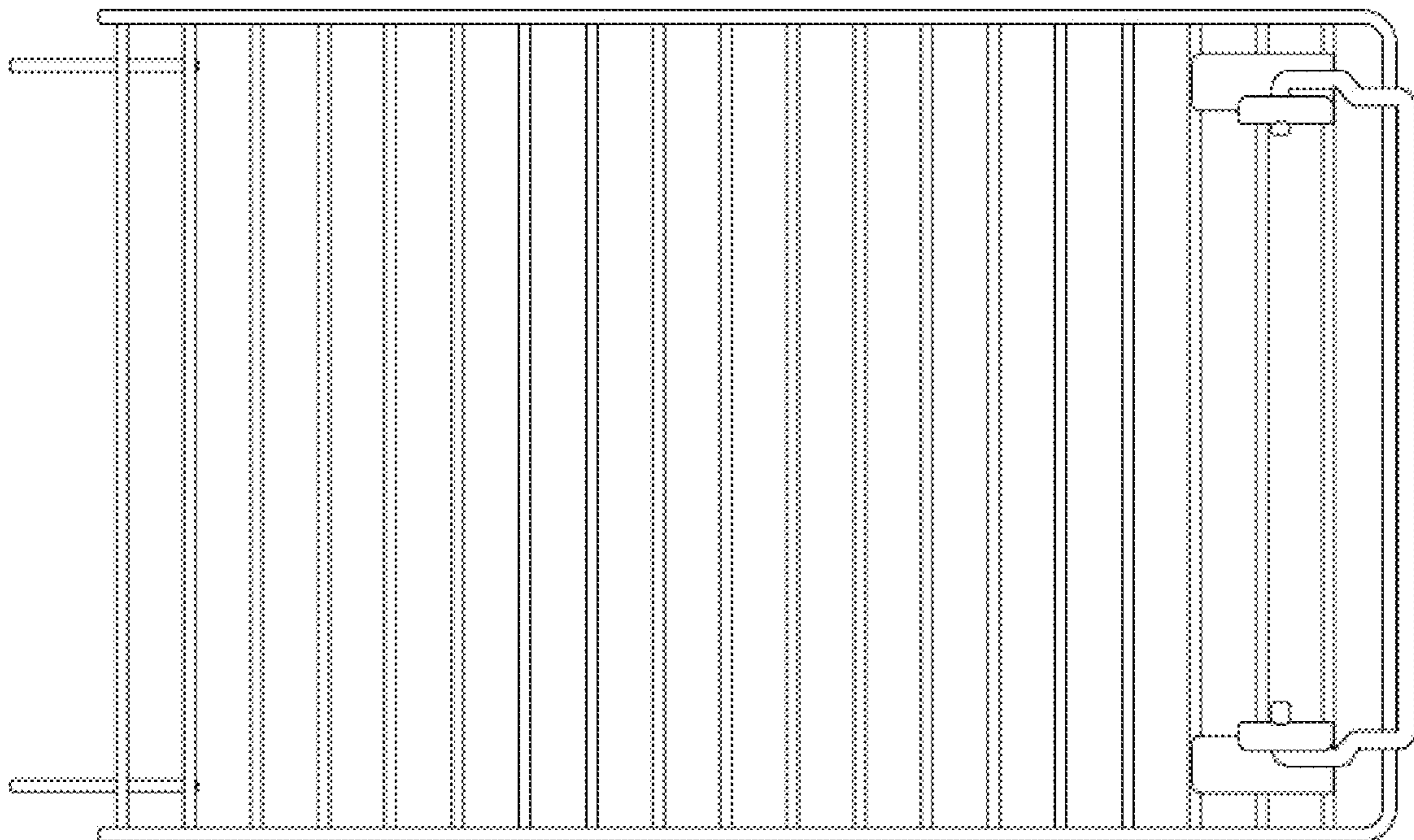


FIGURE 42