



US00D974081S

(12) **United States Design Patent**  
**Hu**

(10) **Patent No.:** **US D974,081 S**  
(45) **Date of Patent:** **\*\* Jan. 3, 2023**

- (54) **COMPOSITE DESK**
- (71) Applicant: **Yajun Hu**, El Dorado Hills, CA (US)
- (72) Inventor: **Yajun Hu**, El Dorado Hills, CA (US)
- (73) Assignees: **Yajun Hu**, Moreau, CT (US);  
**EUREKA LLC**, EL Dorado Hills, CA (US)
- (\*\*) Term: **15 Years**
- (21) Appl. No.: **29/759,842**
- (22) Filed: **Nov. 25, 2020**
- (51) **LOC (14) Cl.** ..... **06-03**
- (52) **U.S. Cl.**  
USPC ..... **D6/655.1**
- (58) **Field of Classification Search**  
USPC .... D6/641, 642, 653, 653.1, 653.11, 653.17,  
D6/655, 655.1, 655.11, 655.12, 655.15,  
D6/655.17-655.19, 655.22, 656  
CPC ..... A47B 7/00; A47B 11/00; A47B 13/00;  
A47B 13/02; A47B 13/04; A47B 13/06;  
A47B 13/10; A47B 13/12; A47B 17/00;  
A47B 21/00; A47B 21/0314; A47B  
2021/0364; A47B 2200/0001; A47B  
2200/0011; A47B 2200/002  
See application file for complete search history.

(56) **References Cited**  
U.S. PATENT DOCUMENTS

D478,225 S	8/2003	Wang
D499,273 S	12/2004	Chang
D499,576 S	12/2004	Long
D526,812 S	8/2006	Chen
D547,970 S	8/2007	Chou
D549,009 S	8/2007	Lin
9,591,919 B2	3/2017	Ergun et al.
9,635,932 B2	5/2017	Kelley et al.

D918,518 S *	5/2021	Li	.....	A47B 13/02
				D34/12
D947,577 S *	4/2022	Hu	.....	D6/654.1
2021/0212451 A1*	7/2021	Bergsma	.....	A47B 13/02

**OTHER PUBLICATIONS**

COSTWAY 59" Computer Desk—Amazon, first available Jan. 3, 2022 <https://www.amazon.com/COSTWAY-Removable-Industrial-Workstation-Headphone/dp/B09PL3PT11/> retrieved from the internet on Oct. 31, 2022.\*

Merax, Brown Computer Desk for Two People—Amazon, first available Sep. 5, 2021 <https://www.amazon.com/Merax-Computer-Bookshelf-Multi-Function-Drafting/dp/B09DSCBP6V/> retrieved from the internet on Oct. 31, 2022.\*

Unikito Double Desk with Power Outlet—Amazon, first available Jun. 10, 2022 <https://www.amazon.com/Unikito-Storage-Shelves-Printer-Computer/dp/B0B3QTWJ3G/> retrieved from the internet on Oct. 31, 2022.\*

(Continued)

*Primary Examiner* — Mary Ann Calabrese

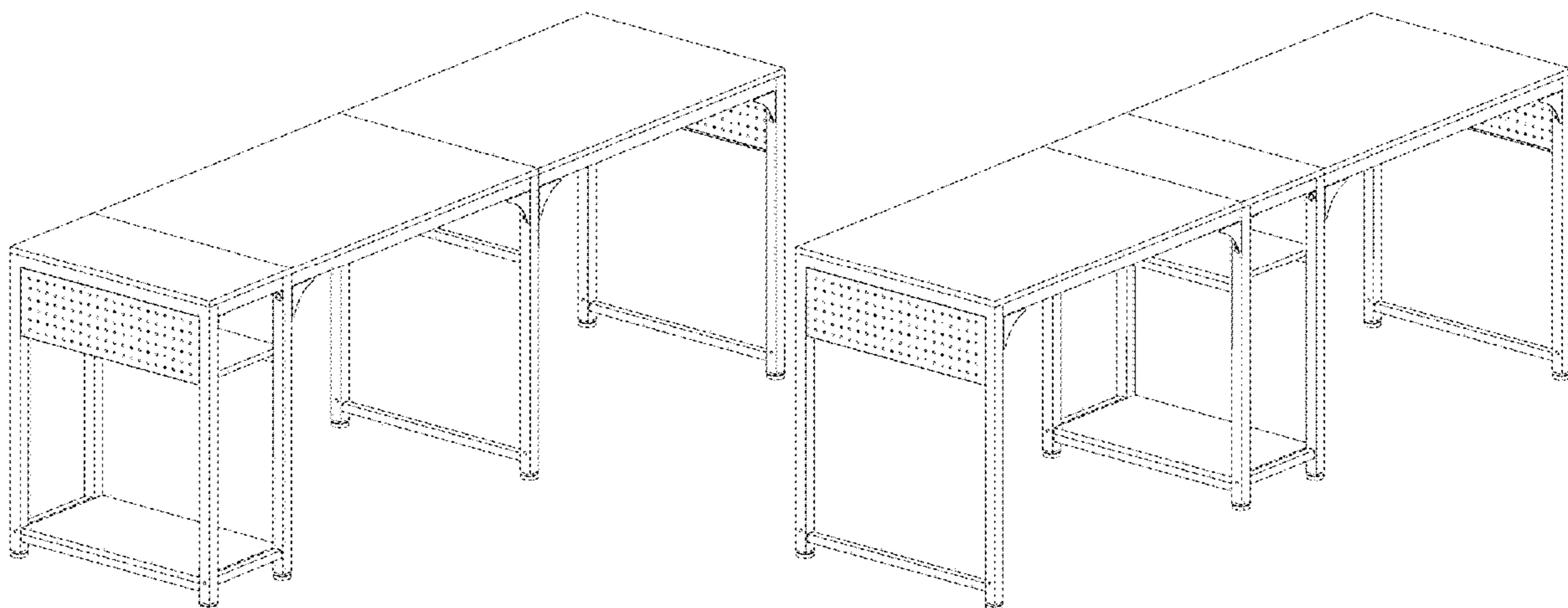
(57) **CLAIM**

The ornamental design for a composite desk, as shown and described.

**DESCRIPTION**

FIG. 1 is a perspective view of a composite desk of Embodiment One, showing my new design;  
FIG. 2 is a front view thereof;  
FIG. 3 is a bottom view thereof;  
FIG. 4 is a top view thereof;  
FIG. 5 is a right side view thereof;  
FIG. 6 is a perspective view of a composite desk of Embodiment Two;  
FIG. 7 is a front view thereof;  
FIG. 8 is a bottom view thereof; and,  
FIG. 9 is a top view thereof.

**1 Claim, 9 Drawing Sheets**



(56)

**References Cited**

OTHER PUBLICATIONS

Tribesigns Two Person Desk with Bookshelf—Amazon, first available Dec. 17, 2019 <https://www.amazon.com/Tribesigns-Bookshelf-Computer-Writing-Workstation/dp/B082V23YXM> retrieved from the internet on Oct. 31, 2022.\*

Mainstays Garrett Metal Student Computer Desk in Blue—Amazon, first available Jun. 29, 2018 <https://www.amazon.com/Mainstays-Basic-Metal-Student-Desk/dp/B07F57465Z> retrieved from the internet on Oct. 17, 2022.\*

\* cited by examiner

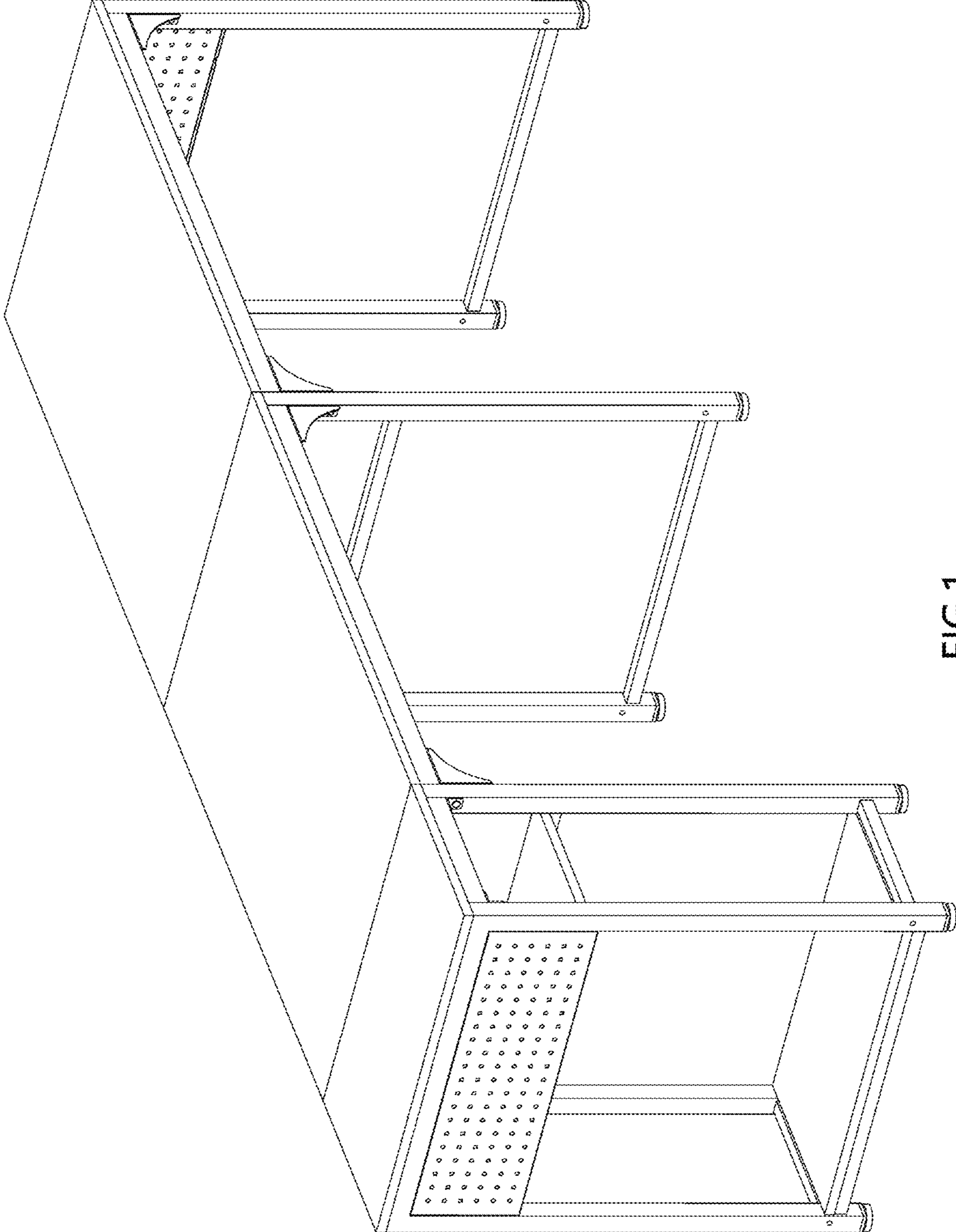


FIG.1

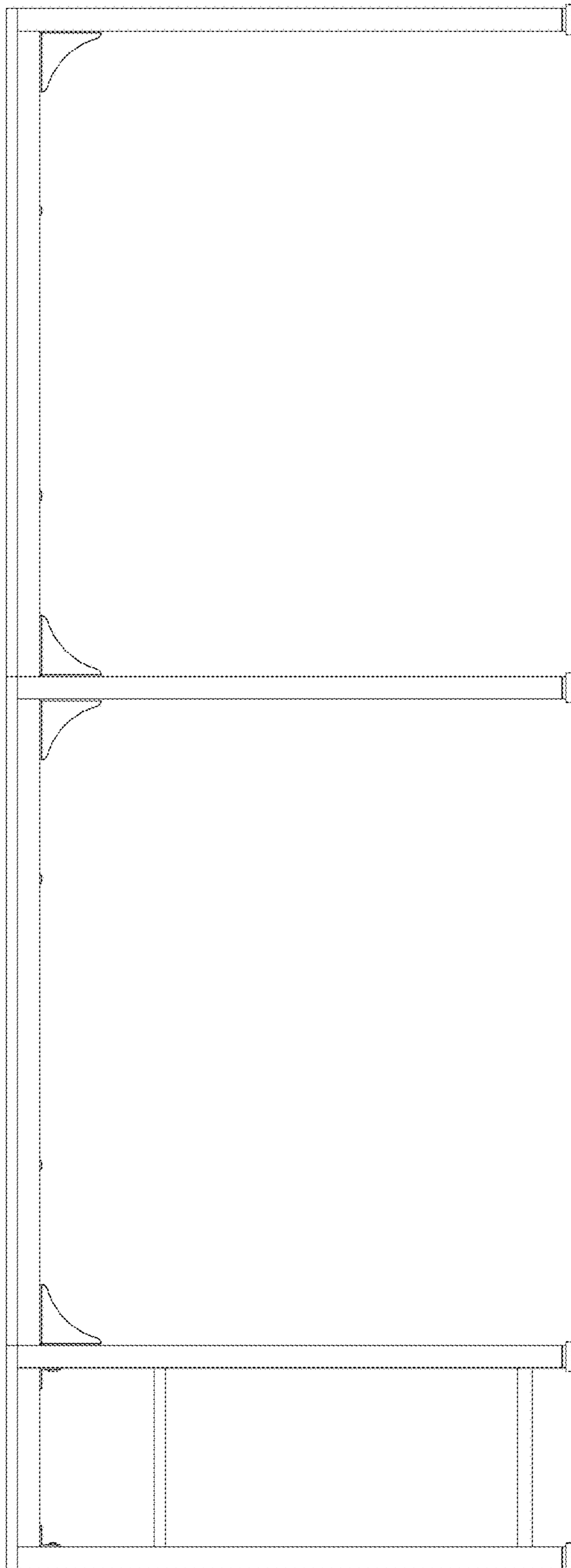


FIG.2

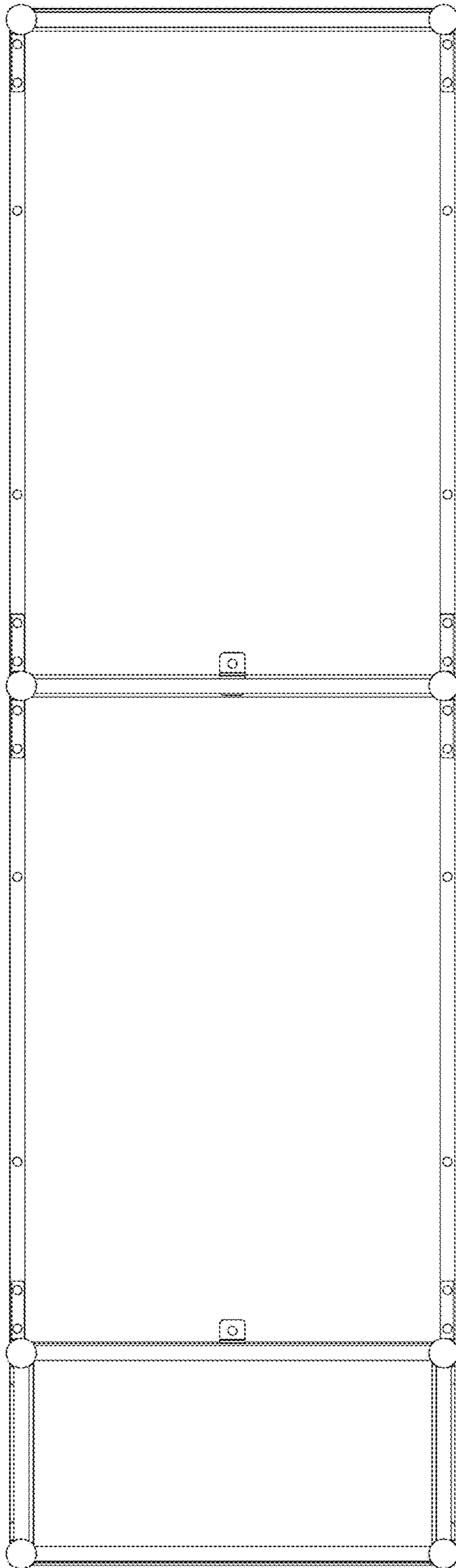


FIG.3

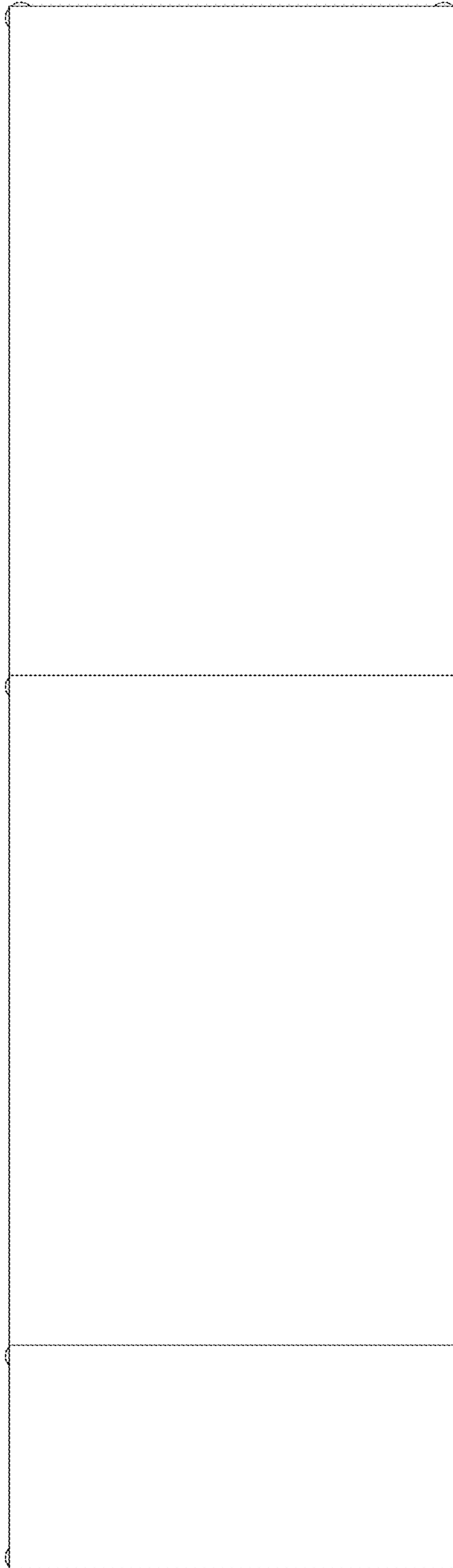


FIG.4

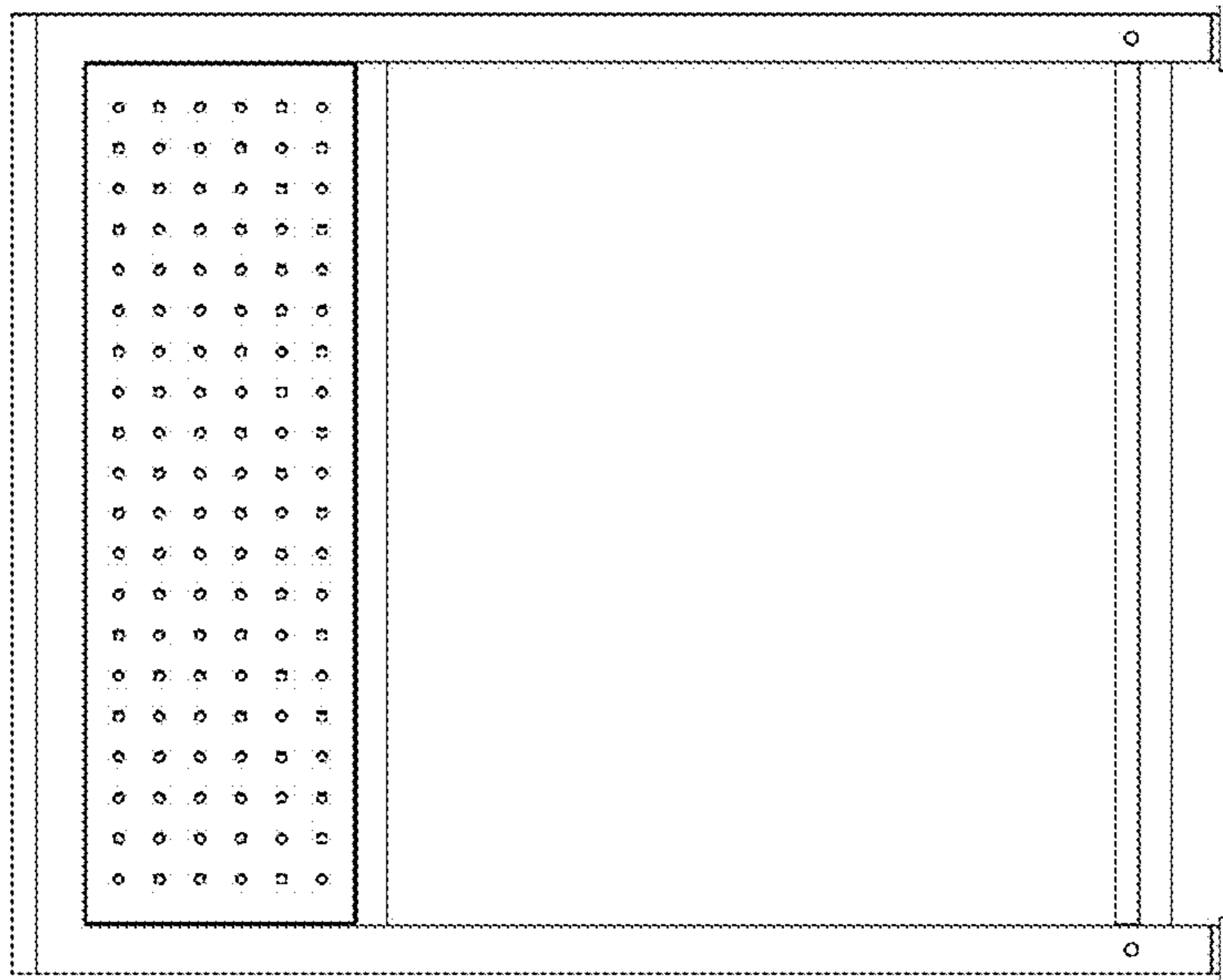


FIG.5

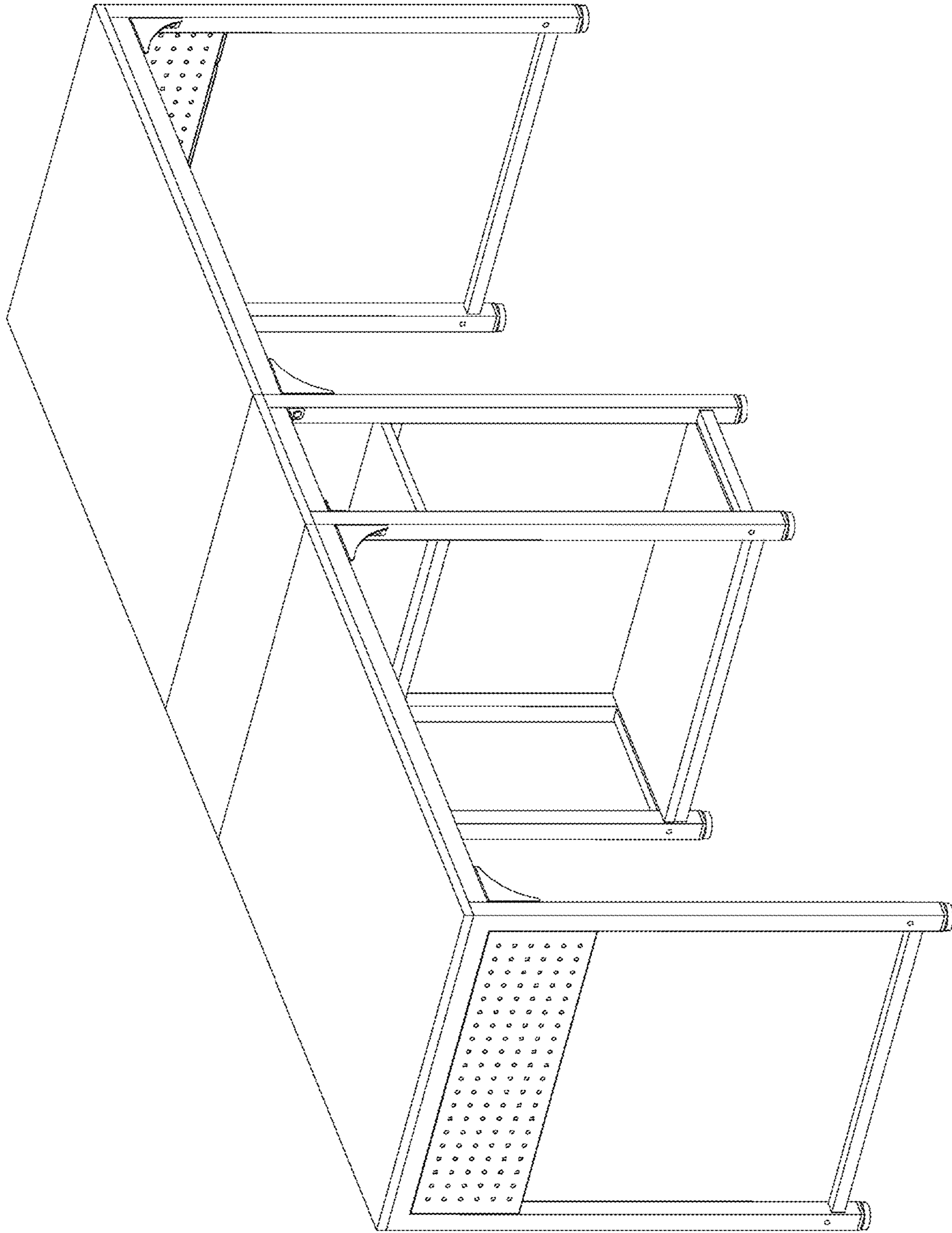


FIG.6



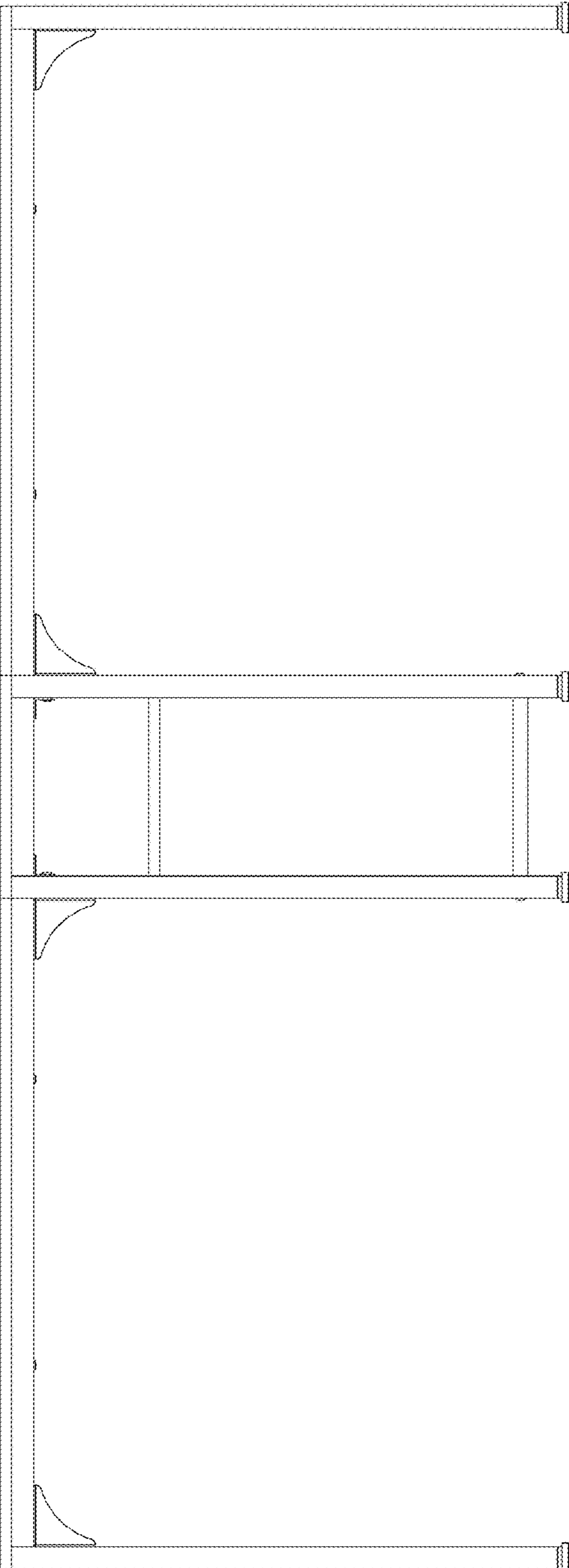


FIG.7

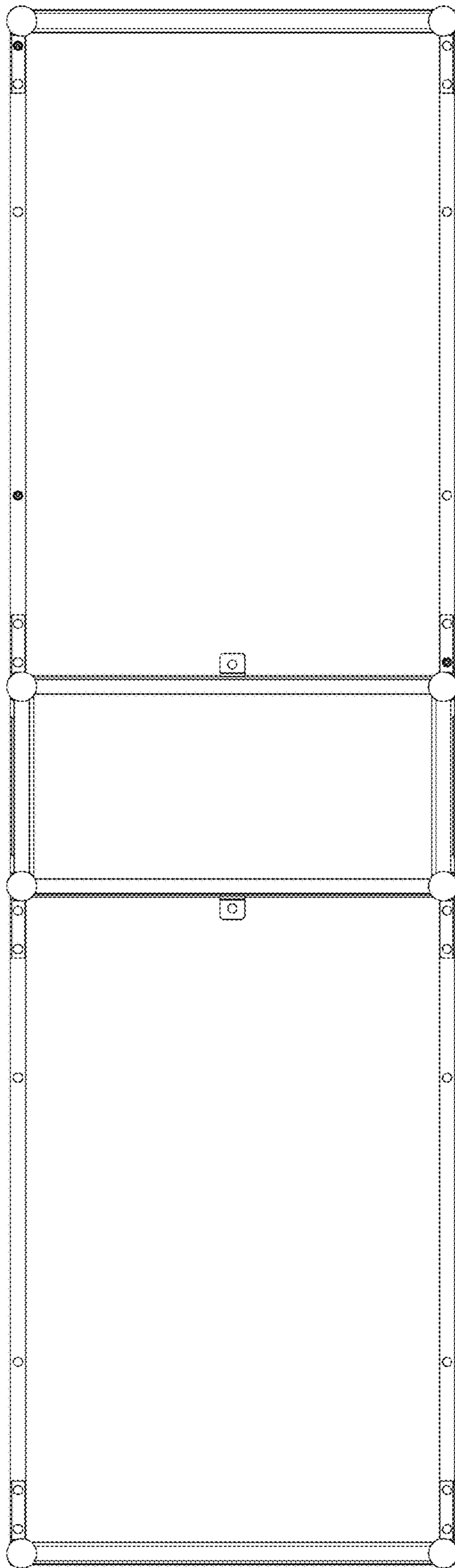


FIG.8

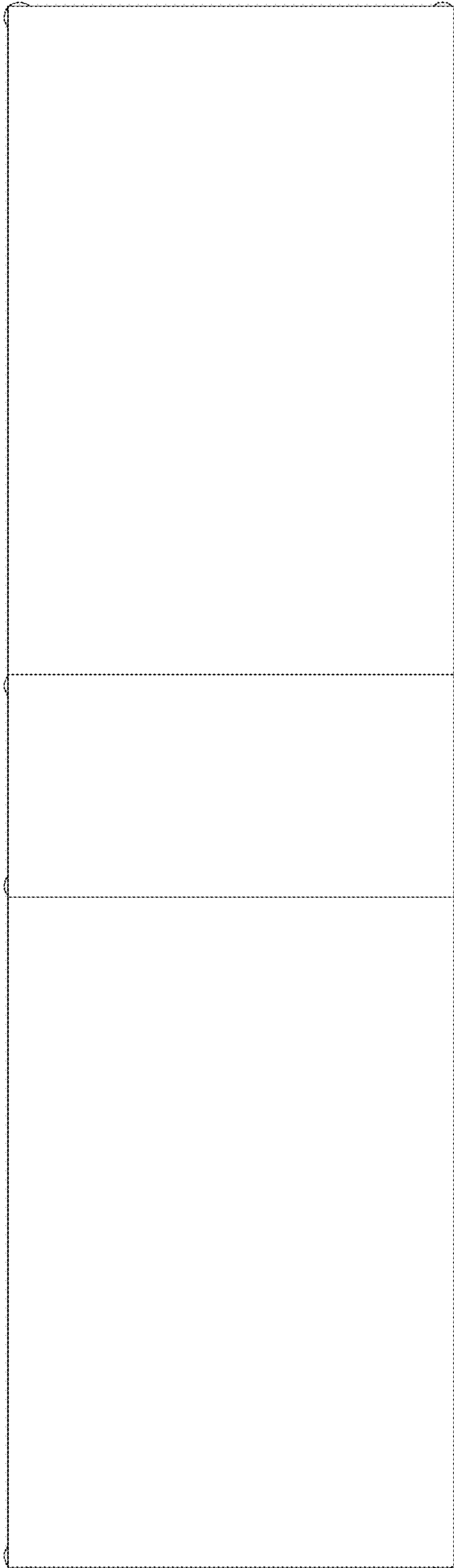


FIG.9