

US00D974080S

(12) **United States Design Patent** (10) **Patent No.:** **US D974,080 S**
Roost et al. (45) **Date of Patent:** **** Jan. 3, 2023**

(54) **MATTRESS BAG**
(71) Applicant: **Better Habitat LLC**, Mahwah, NJ (US)
(72) Inventors: **Andrew Roost**, Fanwood, NJ (US); **Jeff Nelson**, Mahwah, NJ (US)
(73) Assignee: **BETTER HABITAT, LLC**, Mahwah, NJ (US)

D307,811 S * 5/1990 Branco D3/289
D360,712 S * 7/1995 Bush D6/601
D368,160 S * 3/1996 Carretta D3/289
D393,779 S * 4/1998 Cabey D7/607
5,735,608 A * 4/1998 Branco A45C 3/00
383/41
D403,155 S * 12/1998 Liu D3/289
D434,609 S * 12/2000 Yu D7/607

(Continued)

(**) Term: **15 Years**

CN 304256528 * 8/2017
CN 304372514 * 11/2017

FOREIGN PATENT DOCUMENTS

(21) Appl. No.: **29/668,049**

OTHER PUBLICATIONS

(22) Filed: **Oct. 26, 2018**

TechCrunch: "Purple a Utah mattress startup . . .", article published Apr. 13, 2017, [online], [site visited Feb. 24, 2022]. Available from Internet, <URL:https://techcrunch.com/2017/04/13/purple-a-utah-mattress-startup-youve-probably-never-heard-of-is-on-track-to-unicorn/ (Year: 2017).*

(51) **LOC (14) Cl.** **06-09**

(52) **U.S. Cl.**
USPC **D6/606**

(58) **Field of Classification Search**
USPC D6/595, 596, 601, 604, 605, 606, 607, D6/608, 609; 5/413 AM, 690, 706, 961, 5/716, 717, 718, 721, 495, 496, 497, 498, 5/499, 490, 491
CPC A47C 19/00; A47C 23/00; A47C 21/026; A47C 27/00; A47C 27/06; A47C 27/08; A47C 27/081; A47C 27/082; A47G 9/10; A47G 9/1009; A47G 9/1027; A47G 9/1045; A47G 9/1063; A47G 9/1072; A47G 9/1081; A47G 27/00; A47G 27/0225; A47G 27/0231; A47G 27/0275; A47G 27/0287

(Continued)

Primary Examiner — Sanjeev Paul
(74) *Attorney, Agent, or Firm* — Myers Wolin, LLC

See application file for complete search history.

(57) **CLAIM**

The ornamental design for a mattress bag, as shown and described.

(56) **References Cited**

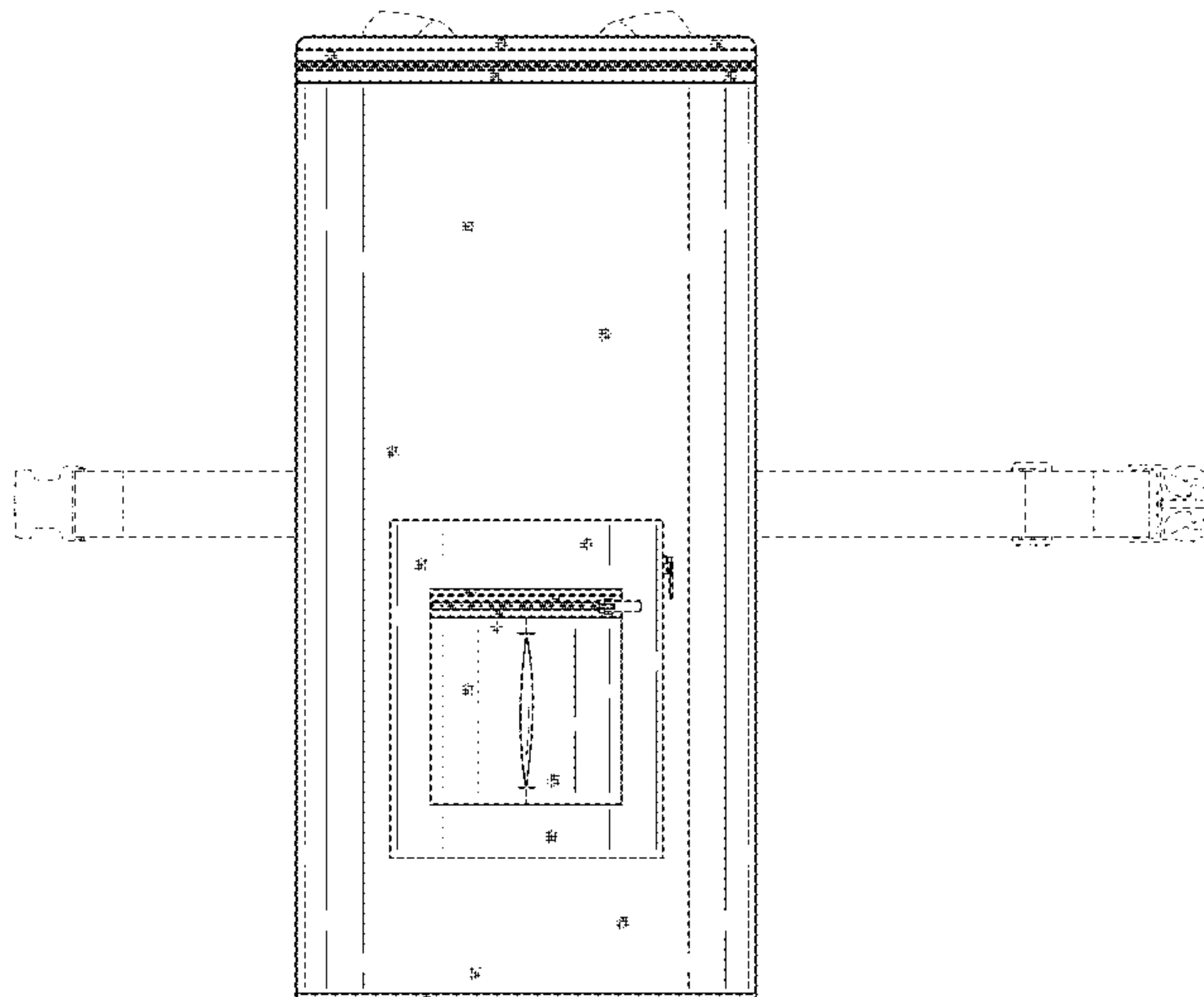
U.S. PATENT DOCUMENTS

1,949,677 A * 3/1934 Crawford B65D 81/3886
383/110
2,954,891 A * 10/1960 Imber B65D 81/3834
220/592.2
3,019,952 A * 2/1962 Brewster A45C 3/00
294/142

DESCRIPTION

FIG. 1 is a front elevation view of a mattress bag showing our new design;
FIG. 2 is a rear elevation view thereof;
FIG. 3 is a top plan view thereof;
FIG. 4 is a bottom plan view thereof;
FIG. 5 is a left side elevation view thereof; and,
FIG. 6 is a right side elevation view thereof.
The broken lines shown in the drawings are included for the purpose of illustrating portions of the mattress bag that form no part of the claimed design.

1 Claim, 4 Drawing Sheets



(56)

References Cited

U.S. PATENT DOCUMENTS

D449,441 S * 10/2001 Jackson D3/276
 6,401,993 B1 * 6/2002 Andrino A45F 5/00
 D463,119 S * 9/2002 Kawai D3/276
 D465,922 S * 11/2002 Davis D3/289
 D476,477 S * 7/2003 DeChant D3/205
 D529,285 S * 10/2006 Limber D3/289
 D529,286 S * 10/2006 Limber D3/289
 7,153,025 B1 * 12/2006 Jackson A45C 7/0059
 D576,433 S * 9/2008 Che D30/153
 D577,483 S * 9/2008 Tagliati D3/202
 D601,796 S * 10/2009 Banks D3/279
 D620,708 S * 8/2010 Sanz D3/276
 D740,550 S * 10/2015 Shabou D3/229
 D740,551 S * 10/2015 Shabou D3/229
 D740,552 S * 10/2015 Shabou D3/229
 D740,565 S * 10/2015 Ludeman D3/307
 D749,320 S * 2/2016 Slimane D3/232
 D770,202 S * 11/2016 Scott-Gary D6/601
 D773,809 S * 12/2016 Lieser D3/232
 D778,082 S * 2/2017 Abbott D6/518
 D778,083 S * 2/2017 Abbott D6/518
 D779,227 S * 2/2017 Abbott D6/518
 D784,731 S * 4/2017 Pearce D6/601
 D786,555 S * 5/2017 Brungraber D3/902
 D836,911 S * 1/2019 Soto-Camacho D3/304
 D841,347 S * 2/2019 Kaufman D6/601
 D852,492 S * 7/2019 Anderson D3/217
 D853,725 S * 7/2019 Soto-Camacho D3/304
 D875,394 S * 2/2020 Komatick D6/601
 D901,176 S * 11/2020 Jusic D3/289
 D941,019 S * 1/2022 Wan

2006/0157366 A1* 7/2006 Jamie A45C 5/08
 206/389
 2011/0181081 A1* 7/2011 Williams A45C 9/00
 2/24
 2016/0345700 A1* 12/2016 Amago A45C 7/0095

OTHER PUBLICATIONS

Google Image Search: "Mattress Bag" [site visited Feb. 24, 2022]:
https://www.google.com/search?q=mattress+bag&sxsrf=APq-WBujHlon90PbZD5fxAR8yp_bzCN2iw:1645732065748&source=Inms&tbm=isch&sa=X&ved=2ahUKEwiawrHZjZn2AhUDhHIEHWIXDYwQ_AUoAnoECAEQBA&biw=1920&bih=937&dpr=1 (Year: 2022).*

Google Image Search: "mattress in a bag" [site visited Feb. 24, 2022]:
https://www.google.com/search?q=mattress+in+a+bag&sxsrf=APq-WBvh7BES6kbc2aWnOIVDUBjQf3gbdA:1645732053450&source=Inms&tbm=isch&sa=X&ved=2ahUKEwi9oMPTjZn2AhWmp3IEHeHGDFsQ_AUoAnoECAEQBA&biw=1920&bih=937&dpr=1 (Year: 2022).*

Google Image Search: "Purple mattress gag" [site visited Feb. 24, 2022]:
https://www.google.com/search?q=purple+mattress+bag&sxsrf=APq-WBsxFD9qe6Av8KAsTpS0qDmimWWV1g:1645732102226&source=Inms&tbm=isch&sa=X&ved=2ahUKEwiksOTqjZn2AhX2l3IEHRqFDDsQ_AUoAXoECAEQAw&biw=1920&bih=937&dpr=1 (Year: 2022).*

Better Habitat SleepReady Floor Bed, earliest pictured review Aug. 19, 2020, [online], [site visited Feb. 24, 2022]. Available from Internet, <URL:<https://www.amazon.com/Better-Habitat-CertiPUR-US-SleepReady-Waterproof/dp/B07V5WP9K2?th=1>> (Year: 2020).*

* cited by examiner

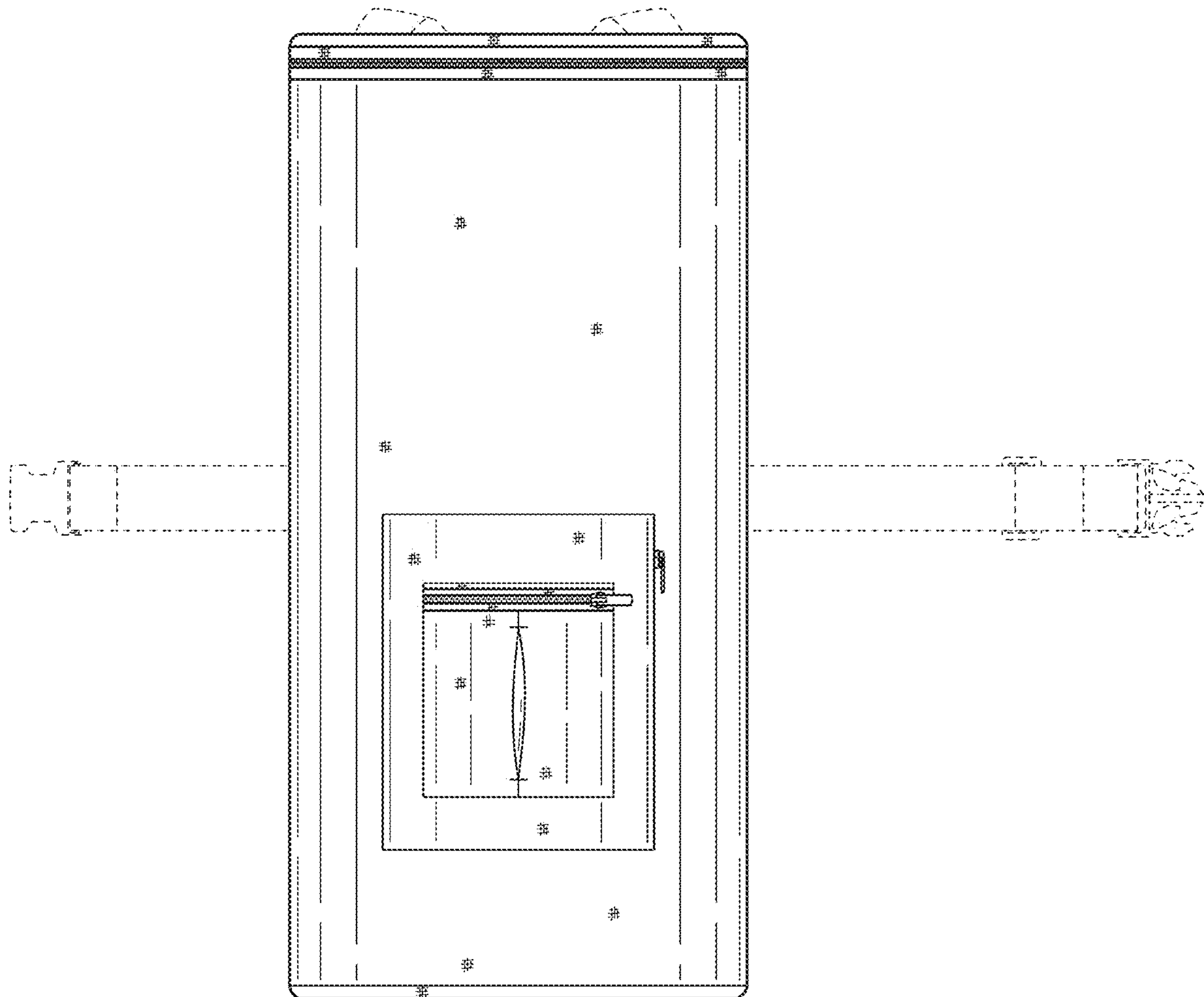


FIG. 1

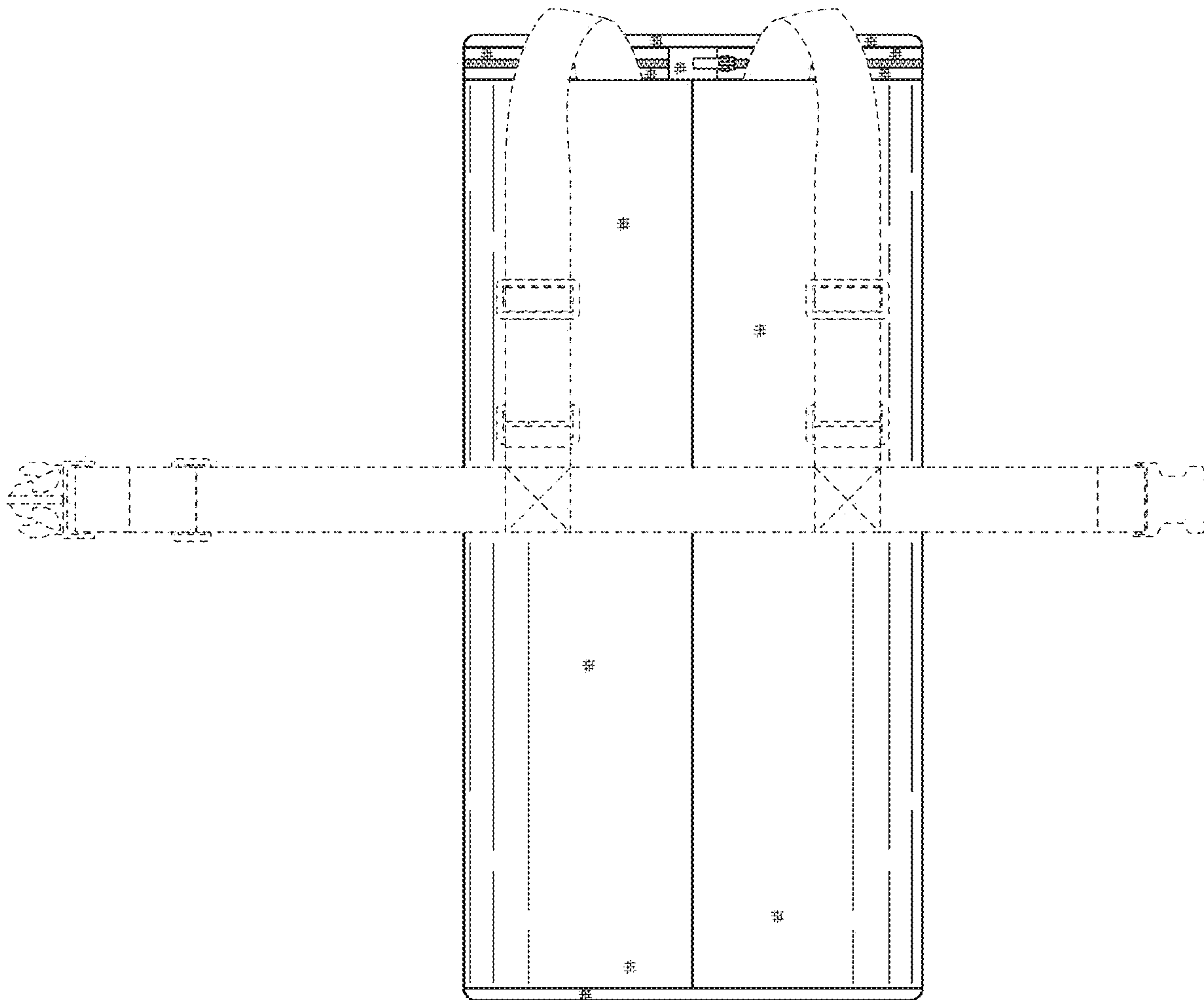


FIG. 2

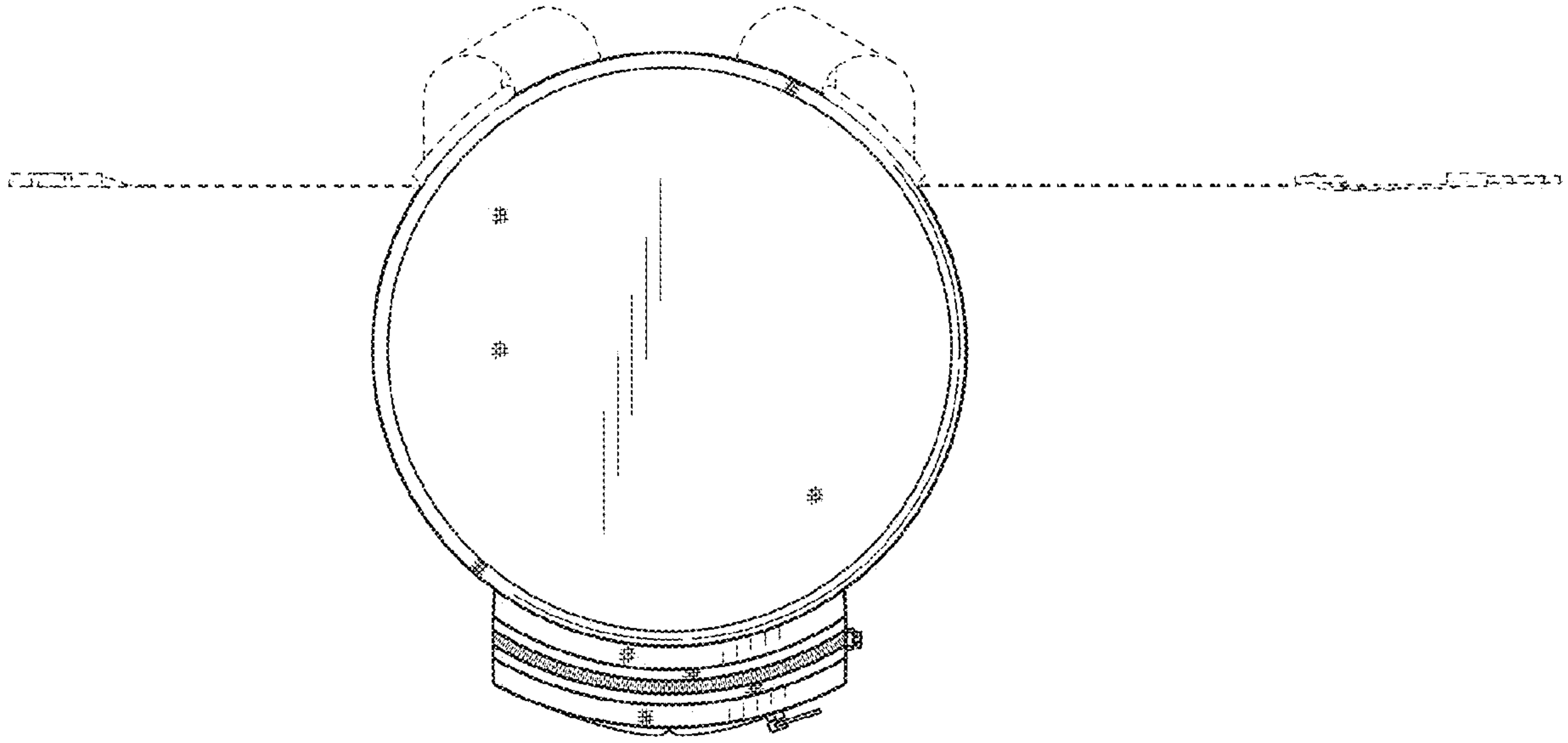


FIG. 3

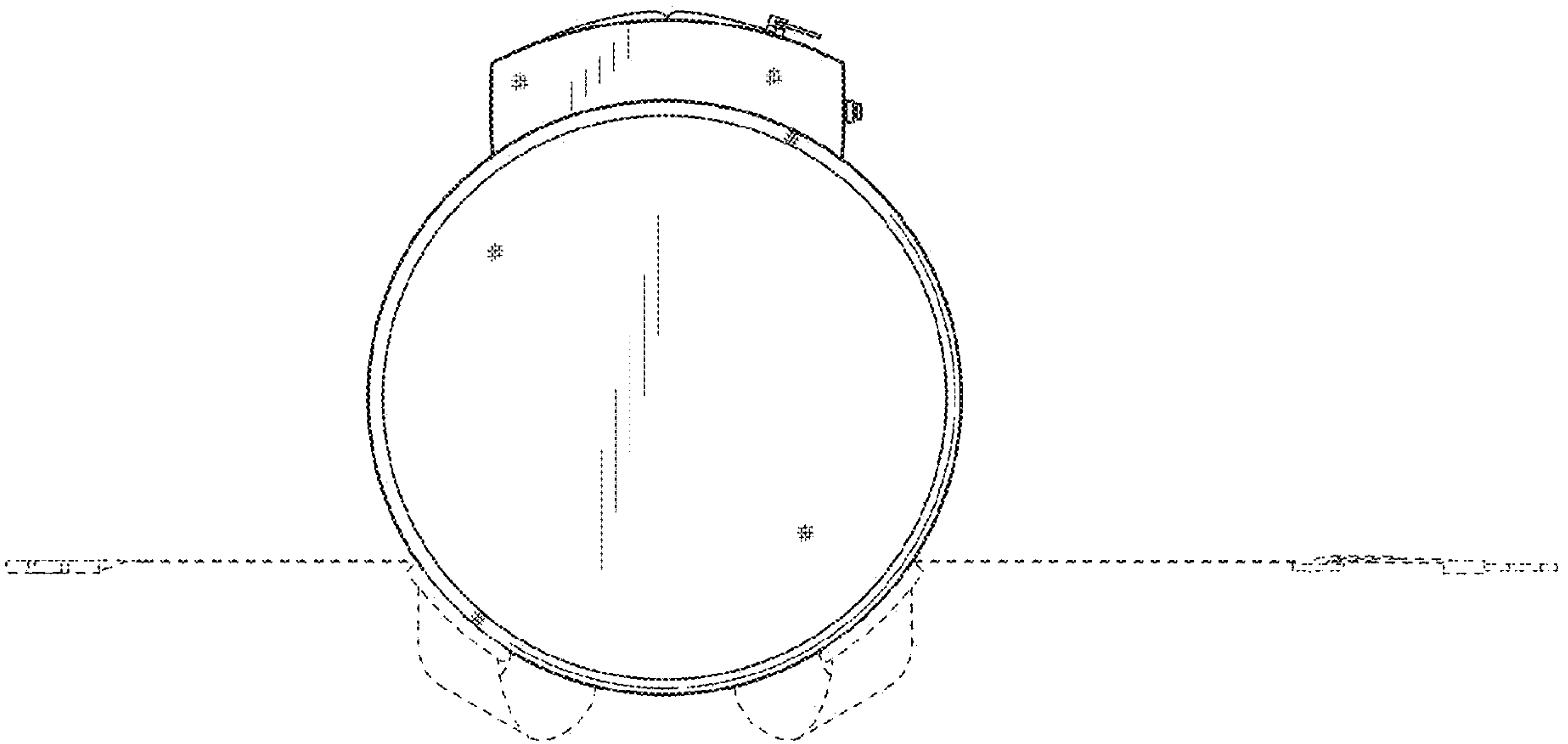


FIG. 4

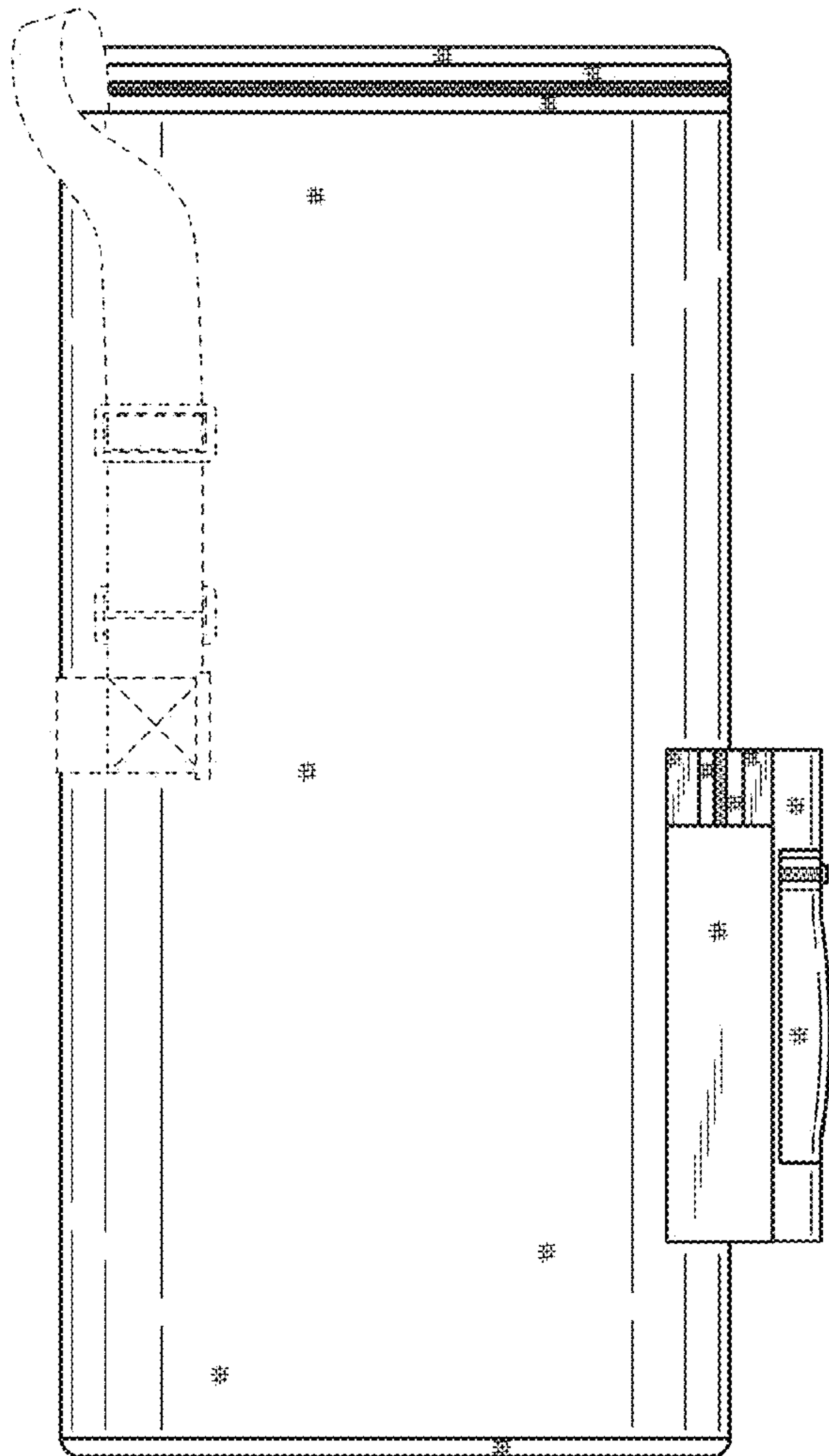


FIG. 5

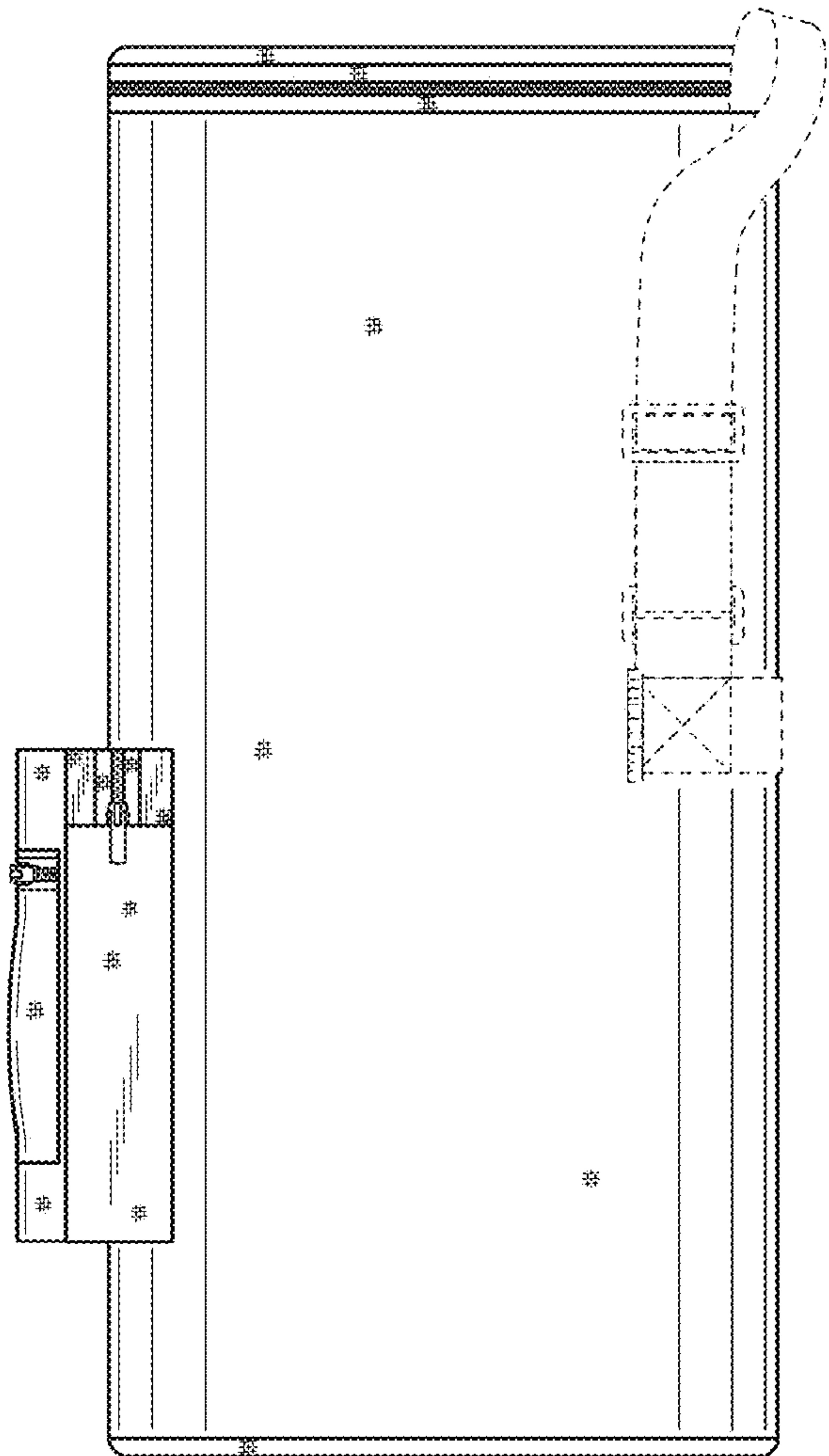


FIG. 6