



US00D974076S

(12) **United States Design Patent**  
**Wu**

(10) **Patent No.:** **US D974,076 S**  
(45) **Date of Patent:** **\*\* Jan. 3, 2023**

(54) **FLOATING SHELF**  
(71) Applicant: **Shanghai Mingran Wenhua Chuanmei Co., Ltd., Shanghai (CN)**  
(72) Inventor: **Zhuoran Wu, Shanghai (CN)**  
(\*\*) Term: **15 Years**  
(21) Appl. No.: **29/837,928**

D614,428 S 4/2010 Bauchet  
D621,193 S 8/2010 Bauchet  
D699,974 S 2/2014 Snider  
D730,080 S 5/2015 Henn  
D795,615 S \* 8/2017 Kitajima ..... D6/675  
D833,772 S 11/2018 Tuang  
D836,187 S \* 12/2018 Frasher ..... D23/332  
D850,166 S \* 6/2019 Chiang ..... D6/672  
D919,325 S 5/2021 Wang  
D919,326 S 5/2021 Wang

(22) Filed: **May 10, 2022**  
(51) **LOC (14) Cl.** ..... **06-04**  
(52) **U.S. Cl.**  
USPC ..... **D6/574**  
(58) **Field of Classification Search**  
USPC ..... D6/672, 675, 675.1, 675.2, 675.3, 683, D6/512, 513, 514, 524, 525, 527, 567, D6/570, 573, 574, 563, 564, 553, 304, D6/566, 675.5, 677.1, 675.4; D7/600.1, D7/600.4; D3/201, 304, 306, 310, 313, D3/318; D8/380, 381; 221/126.2, 126.9, 221/188, 15, 1; 211/12, 13.1, 85.3, 85.9, 211/30, 32, 85.31, 86.01, 87.01, 88.04, 211/90.03, 94.02, 106, 106.1, 119.009  
CPC ... A47K 5/03; A47K 5/04; A47K 5/02; A47K 5/00; A47K 5/18; A47F 5/00; A47F 5/0081; A47B 96/02; A47B 96/021; A47B 96/027; A47B 96/028  
See application file for complete search history.

**OTHER PUBLICATIONS**

Trapezoid Floating Wall Shelves. Trwrt (online) 11 pgs. Available Nov. 4, 2021.[Retrieved Aug. 19, 2022] <https://www.amazon.com/Trwrt-Trapezoid-Floating-Shelves-Bathroom/dp/B09L16TK33> (Year: 2021).\*

\* cited by examiner

*Primary Examiner* — Marie D. Fast Horse  
*Assistant Examiner* — Jennifer Sierra Yosinski  
(74) *Attorney, Agent, or Firm* — Rumit Ranjit Kanakia

(57) **CLAIM**

The ornamental design for a floating shelf, as shown and described.

**DESCRIPTION**

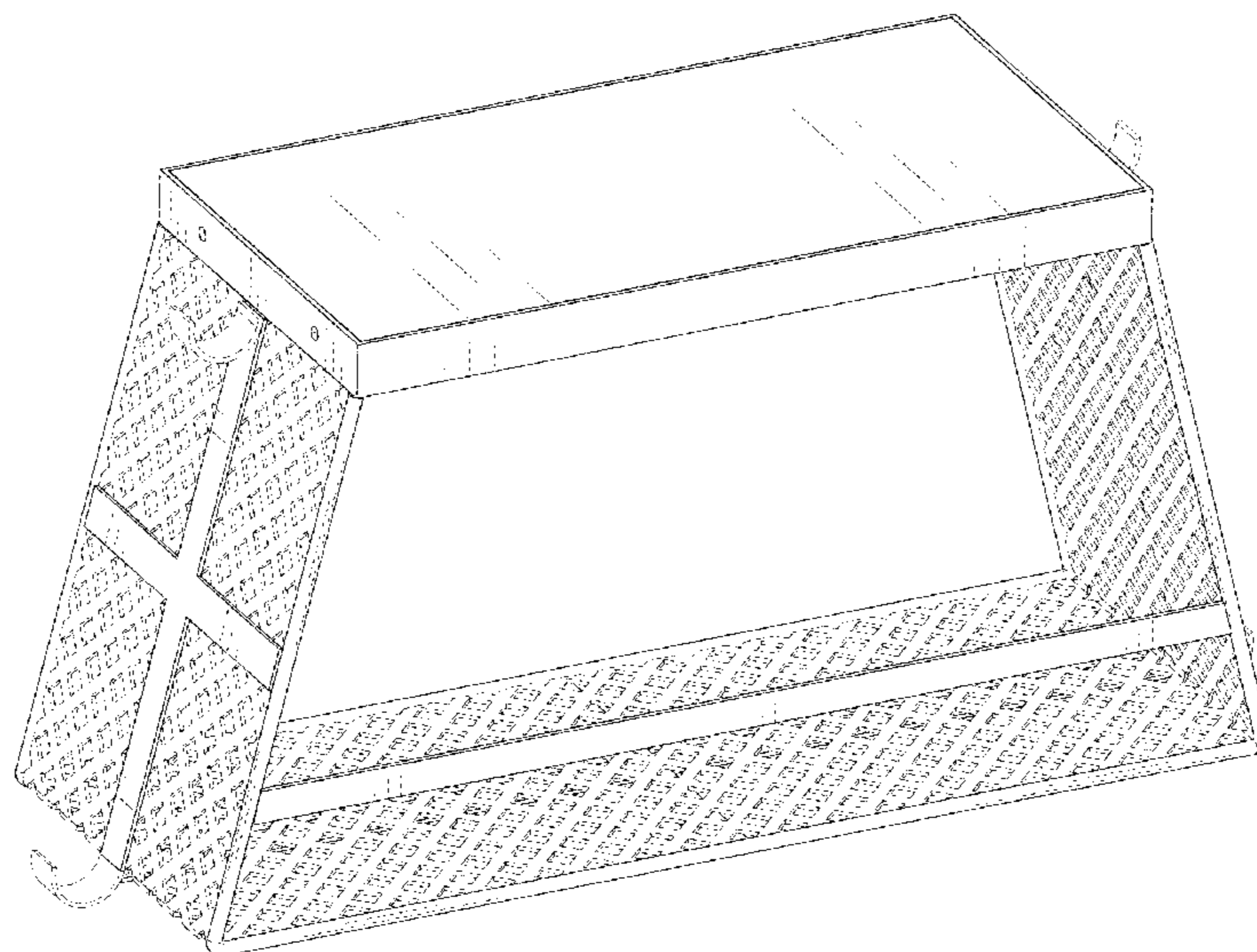
FIG. 1 is a perspective view of a floating shelf showing my new design;  
FIG. 2 is another perspective view thereof;  
FIG. 3 is a front elevational view thereof, the rear elevational view is identical;  
FIG. 4 is a left side view thereof, the right side view is identical;  
FIG. 5 is a top plan view thereof; and,  
FIG. 6 is a bottom plan view thereof.  
The broken lines in the figures are for the purposes of illustrating portions of the floating shelf, which form no part of the claimed design.

**1 Claim, 6 Drawing Sheets**

(56) **References Cited**

**U.S. PATENT DOCUMENTS**

D262,611 S \* 1/1982 Gonzales ..... D11/143  
5,388,024 A \* 2/1995 Galvagni ..... H01G 4/30  
29/25.42  
D454,731 S \* 3/2002 Niitsu ..... D6/678.1  
D468,947 S 1/2003 Rafoth  
D509,393 S 9/2005 Winig  
D517,348 S \* 3/2006 Niu ..... D6/675.3  
D520,795 S 5/2006 Kivett  
D611,728 S \* 3/2010 Nielsen ..... D6/675.1



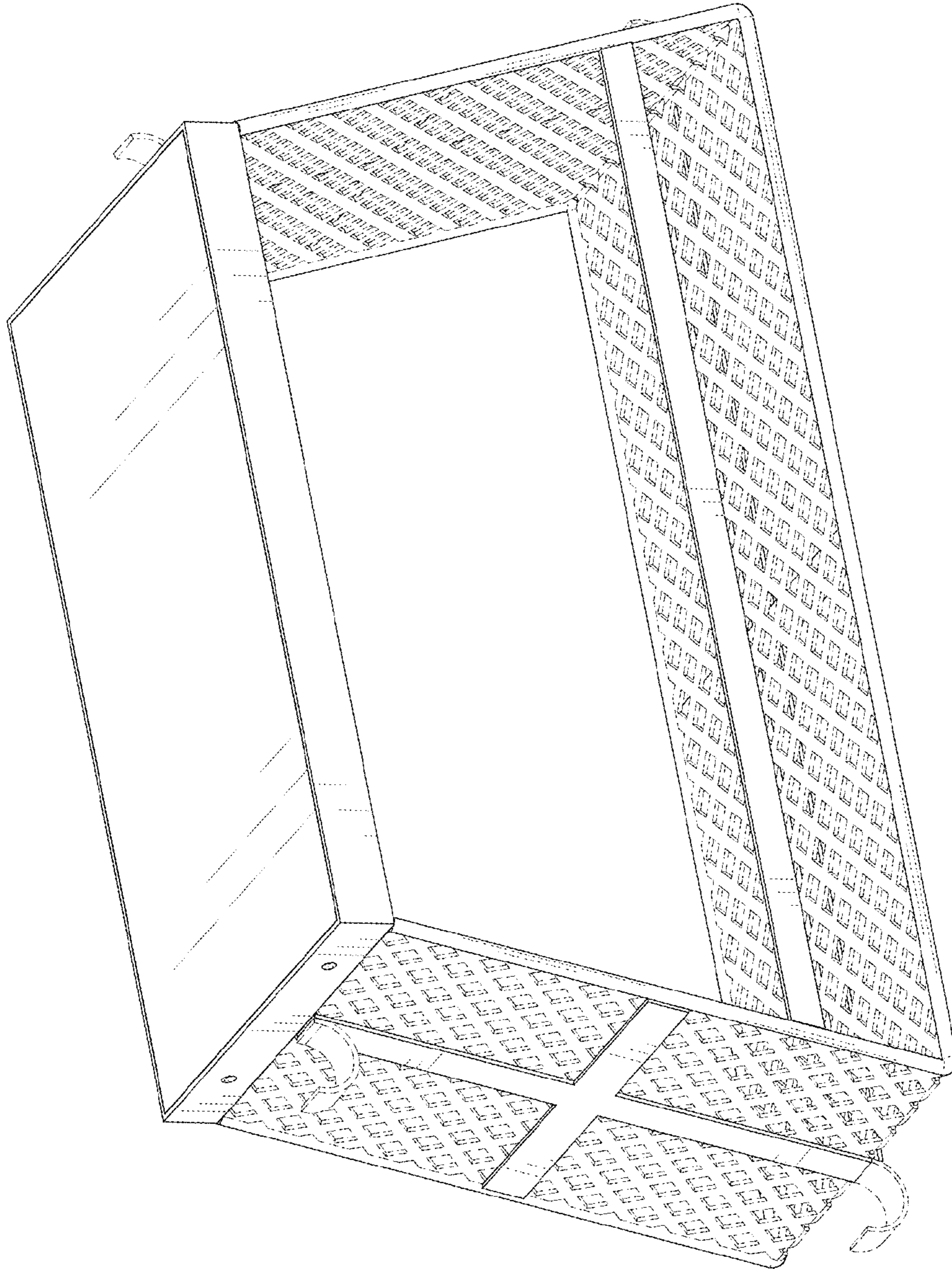


FIG. 1

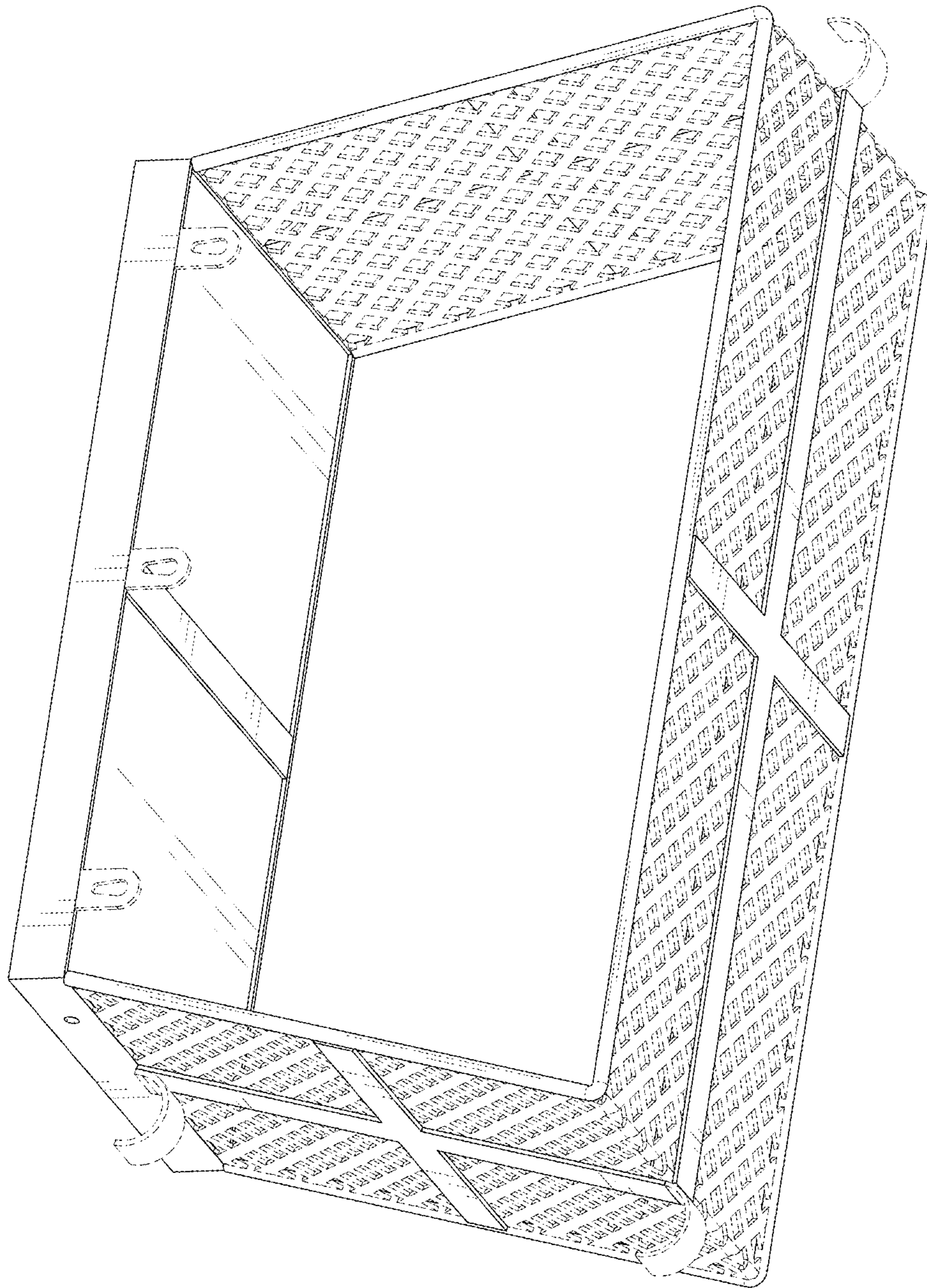


FIG. 2

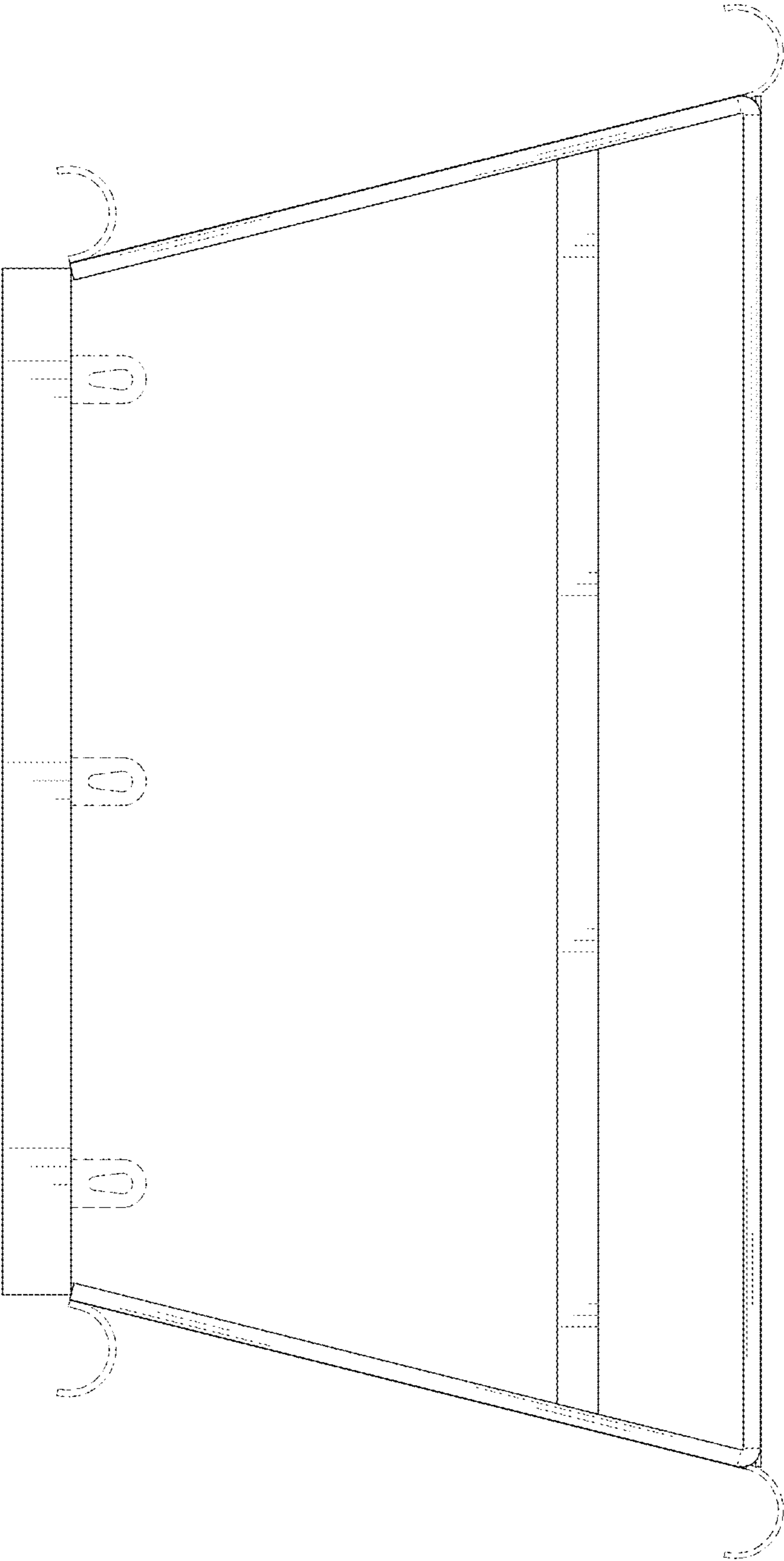


FIG. 3

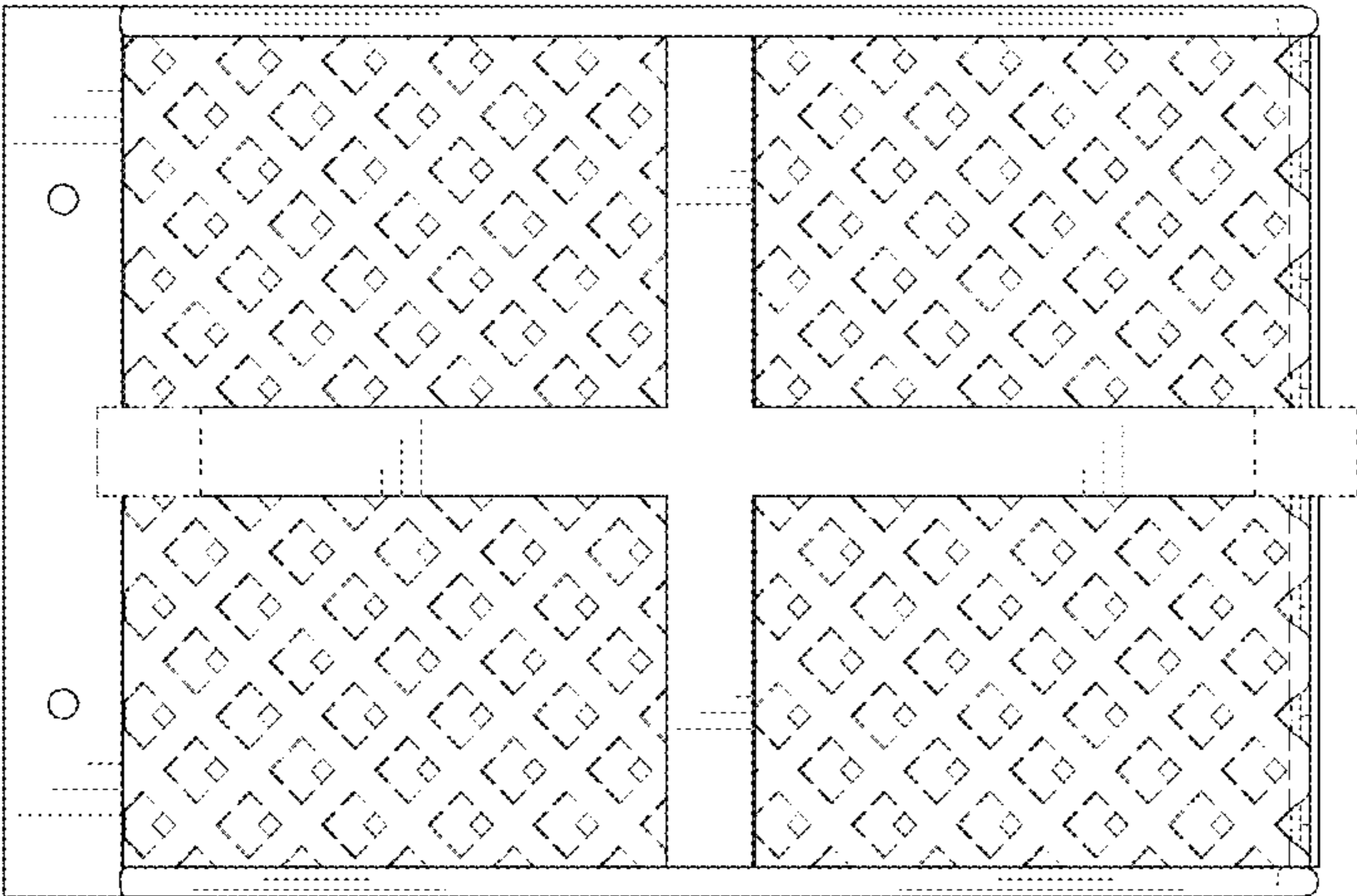


FIG. 4

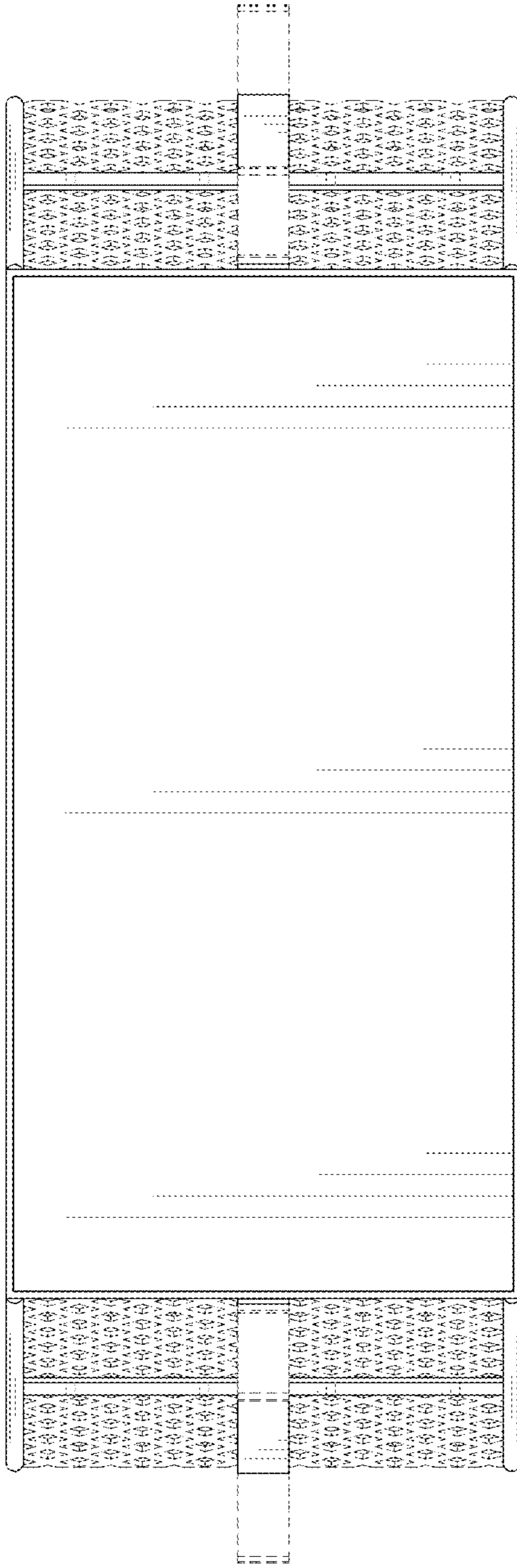


FIG. 5

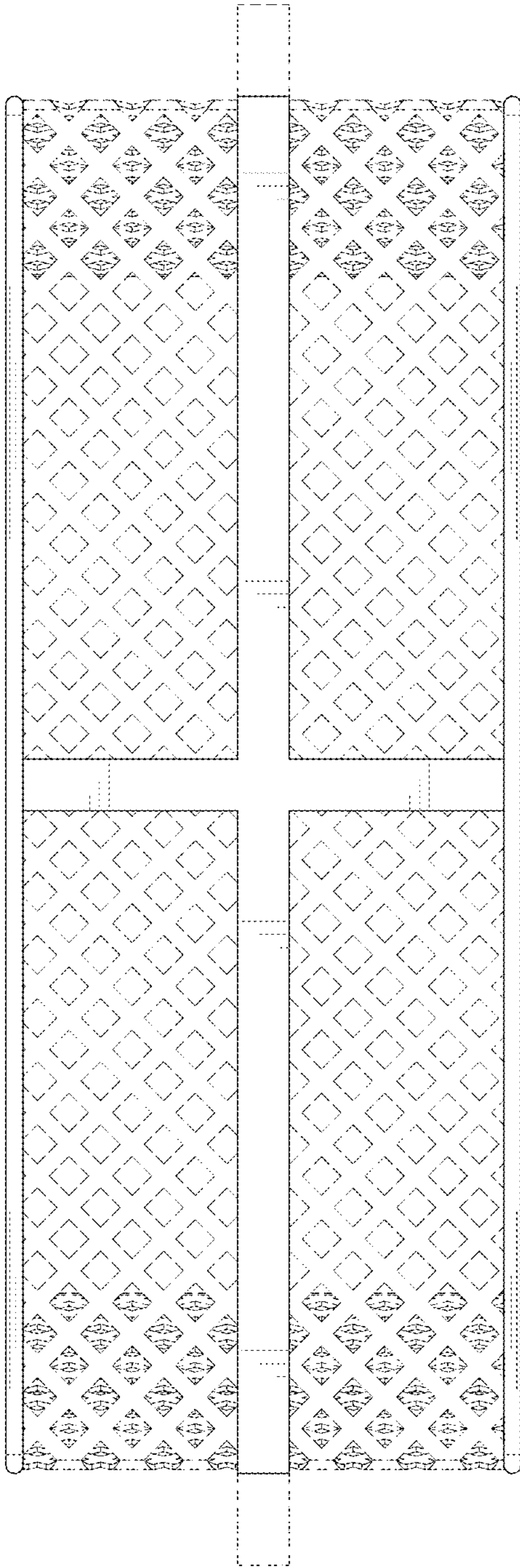


FIG. 6