



US00D974075S

(12) **United States Design Patent** (10) **Patent No.:** **US D974,075 S**
Li (45) **Date of Patent:** **** Jan. 3, 2023**

(54) **MAGNETIC GUN MOUNT**
(71) Applicant: **Shenzhen Haishitong Technology Co., Ltd.**, Guangdong (CN)
(72) Inventor: **Fei Li**, Guangdong (CN)
(73) Assignee: **Shenzhen Haishitong Technology Co., Ltd.**, Guangdong (CN)
(**) Term: **15 Years**
(21) Appl. No.: **29/807,431**
(22) Filed: **Sep. 10, 2021**

(30) **Foreign Application Priority Data**

Aug. 31, 2021 (CN) 202130570077.3

(51) **LOC (14) Cl.** **06-04**

(52) **U.S. Cl.**
USPC **D6/552**

(58) **Field of Classification Search**
USPC D6/552; D8/349; D22/108, 109, 110;
D14/263, 447; D13/108; 42/85, 106, 90,
42/99, 124; 89/37.01-41.22
CPC F41C 27/22; F41C 33/0236; B60R 7/14;
A47B 81/005; F41A 23/18; F41A 35/00
See application file for complete search history.

(56) **References Cited**

U.S. PATENT DOCUMENTS

D882,718 S 4/2020 Wu
D903,810 S 12/2020 Wu
D908,832 S * 1/2021 Qian D22/110
D917,002 S * 4/2021 Qian D22/110
D919,740 S * 5/2021 Wang D22/110
D923,132 S * 6/2021 Wang D22/109
D928,906 S * 8/2021 Jin D22/110
D931,970 S * 9/2021 Wu D22/108

D945,152 S * 3/2022 Wu D3/222
D963,781 S * 9/2022 Ye D22/110
2015/0013205 A1* 1/2015 Franklin F41A 23/02
42/94

FOREIGN PATENT DOCUMENTS

CN 307049847 * 1/2022

OTHER PUBLICATIONS

Double-Sided Gun Magnet Mount. Dingdoon (online) 7 pgs. Available Jan. 22, 2022. [Retrieved Oct. 20, 2022] <https://www.amazon.com/dp/B09QYSYRQ8> (Year: 2022).*

* cited by examiner

Primary Examiner — Marie D. Fast Horse
Assistant Examiner — Jennifer Sierra Yosinski
(74) *Attorney, Agent, or Firm* — True Shepherd, LLC;
Andrew Cheng

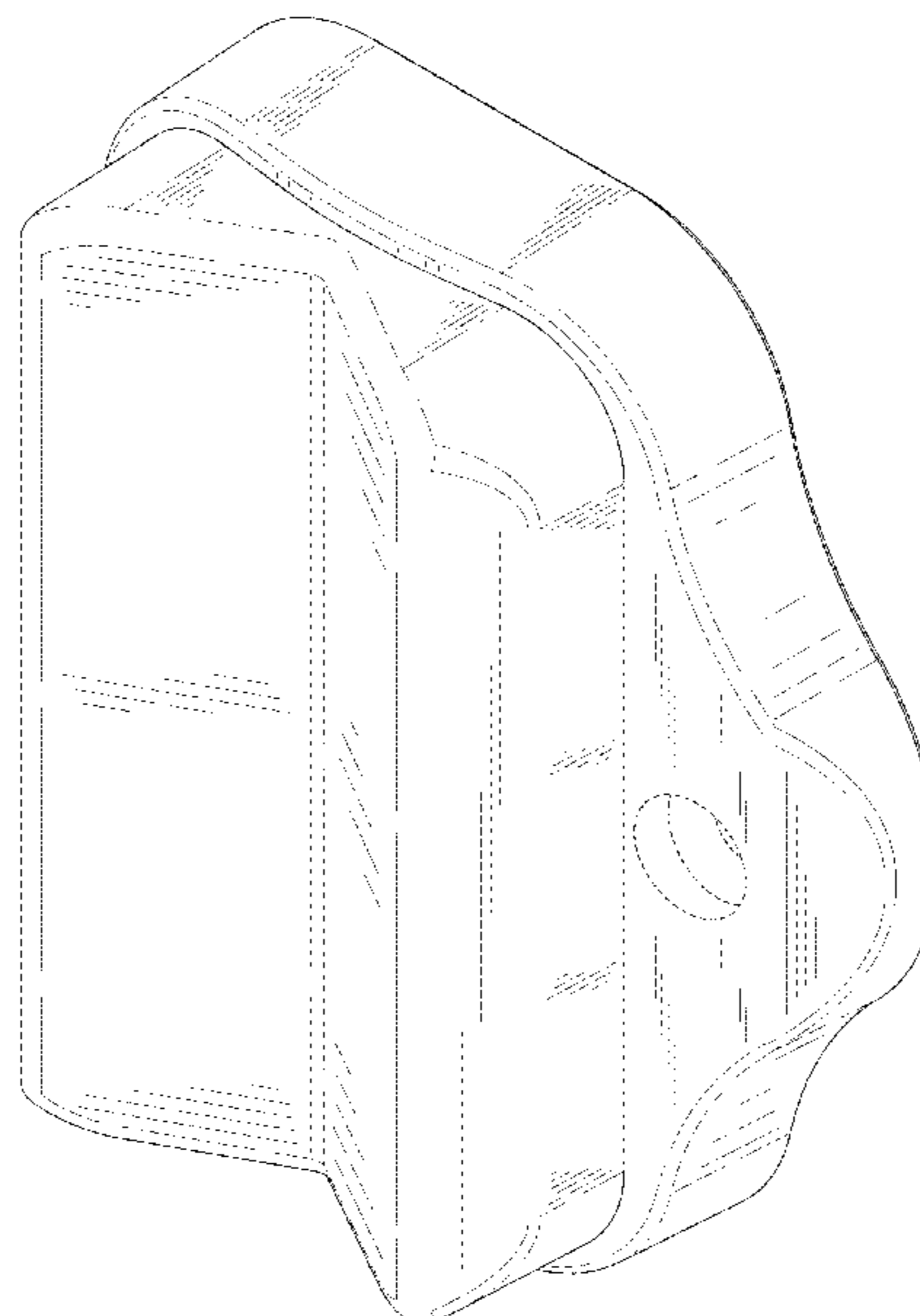
(57) **CLAIM**

The ornamental design for a magnetic gun mount, as shown and described.

DESCRIPTION

FIG. 1 is a front, right and top perspective view of a magnetic gun mount, showing my design.
FIG. 2 is a rear, left and bottom perspective view thereof.
FIG. 3 is a front elevation view thereof.
FIG. 4 is a rear elevation view thereof.
FIG. 5 is a left side elevation view thereof.
FIG. 6 is a right side elevation view thereof.
FIG. 7 is a top plan view thereof.
FIG. 8 is a bottom plan view thereof; and,
FIG. 9 is an exploded view thereof.
The broken lines shown in the drawings are included for the purpose of illustrating portions of the magnetic gun mount that form no part of the claimed design.

1 Claim, 9 Drawing Sheets



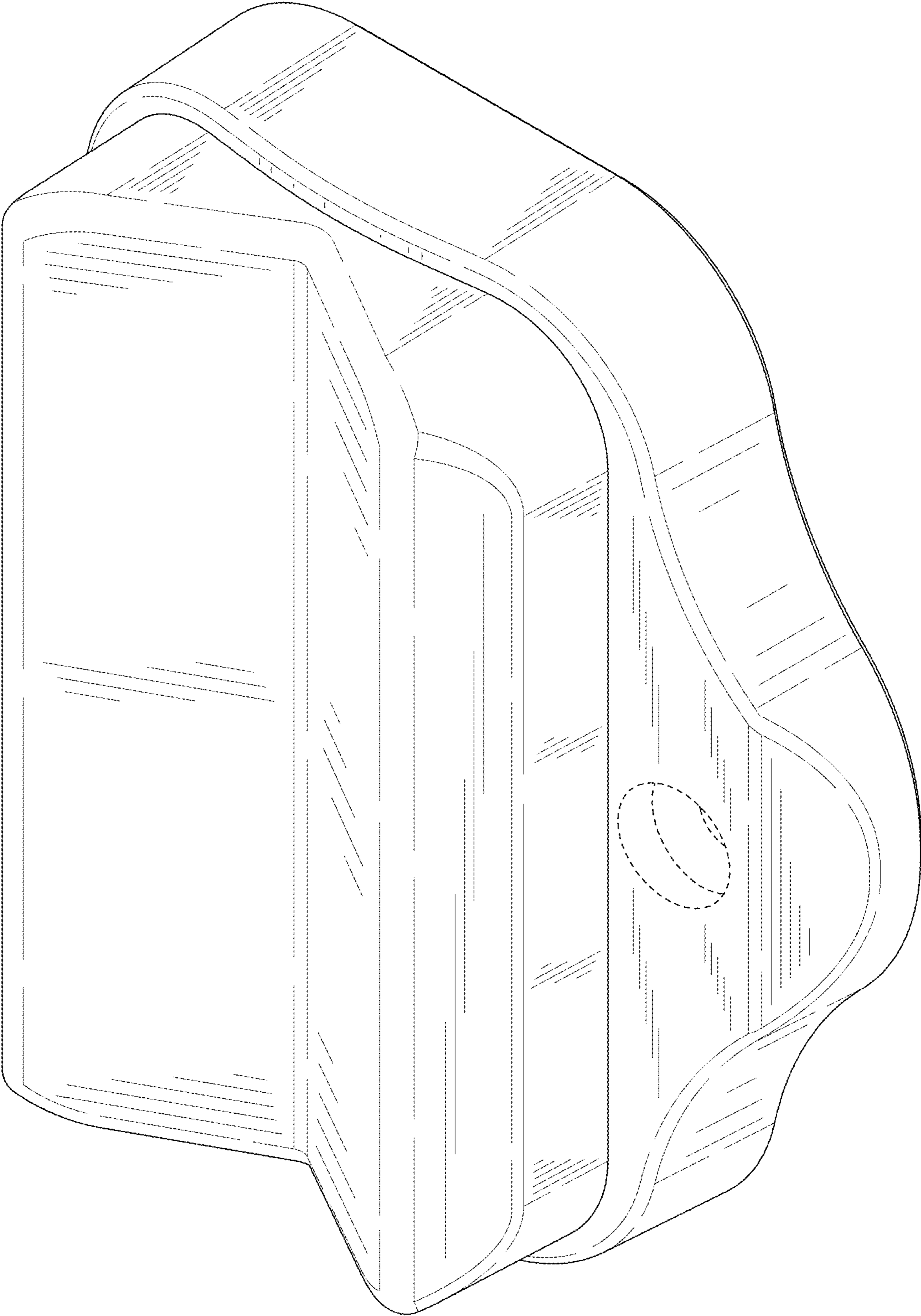


FIG. 1

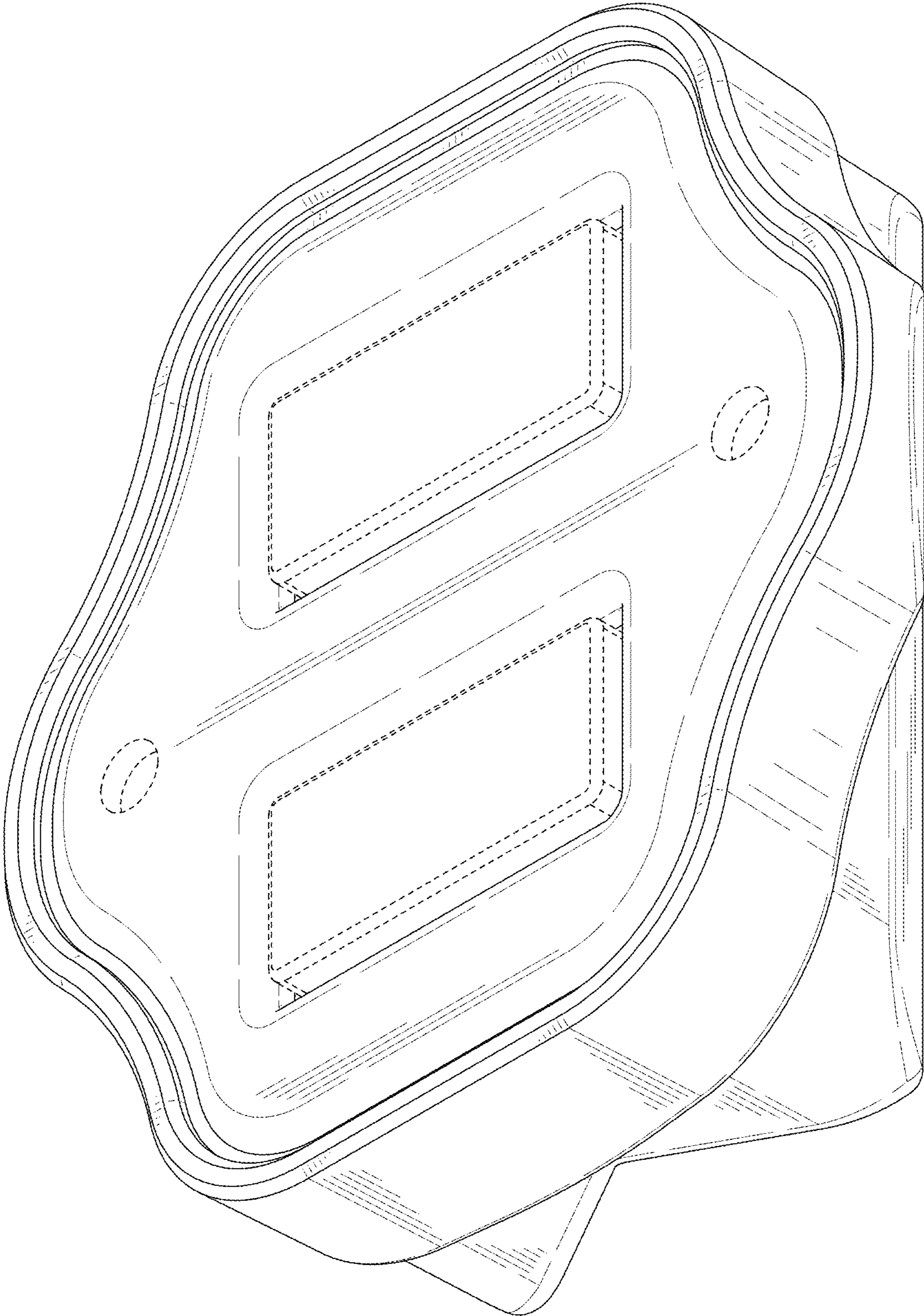


FIG. 2

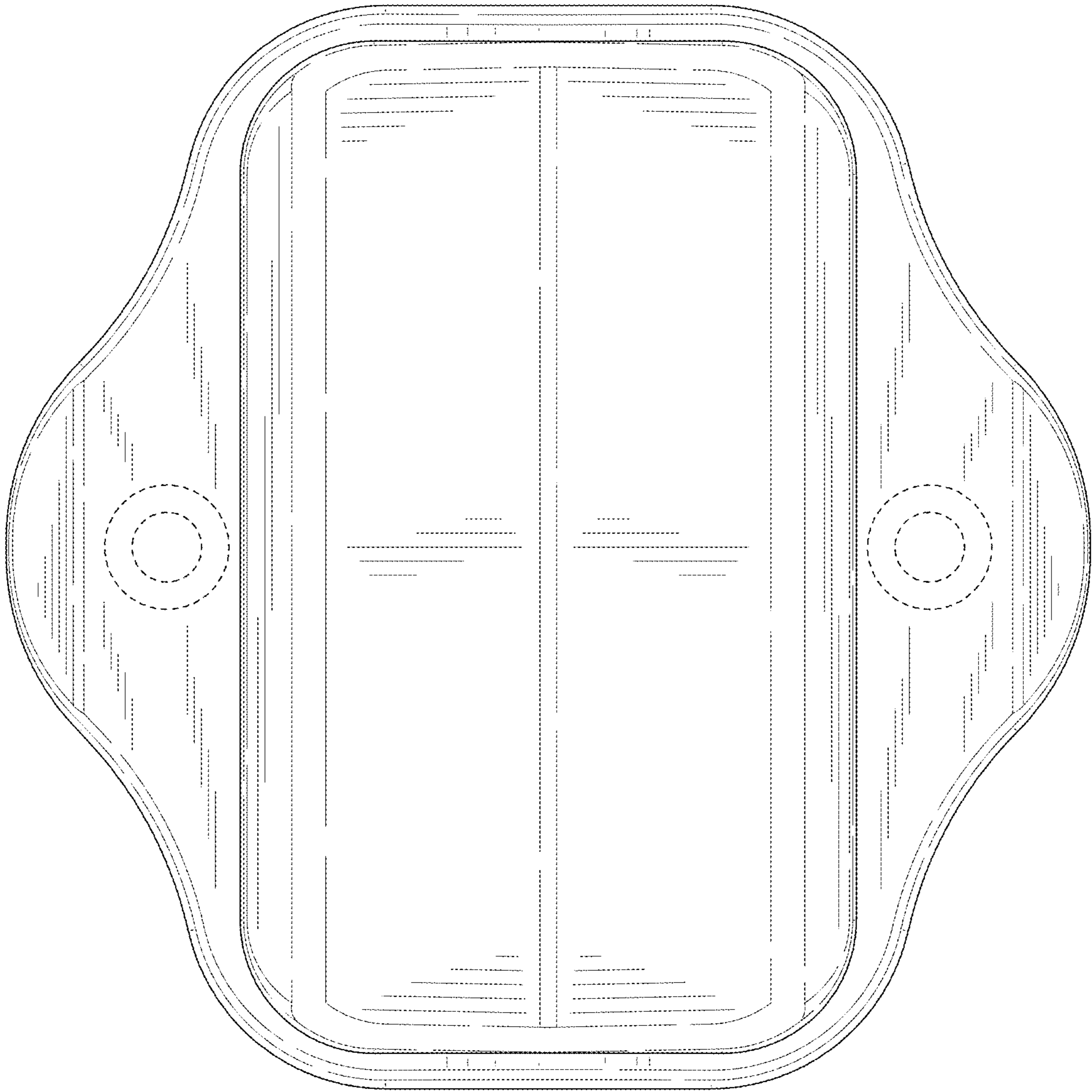


FIG. 3

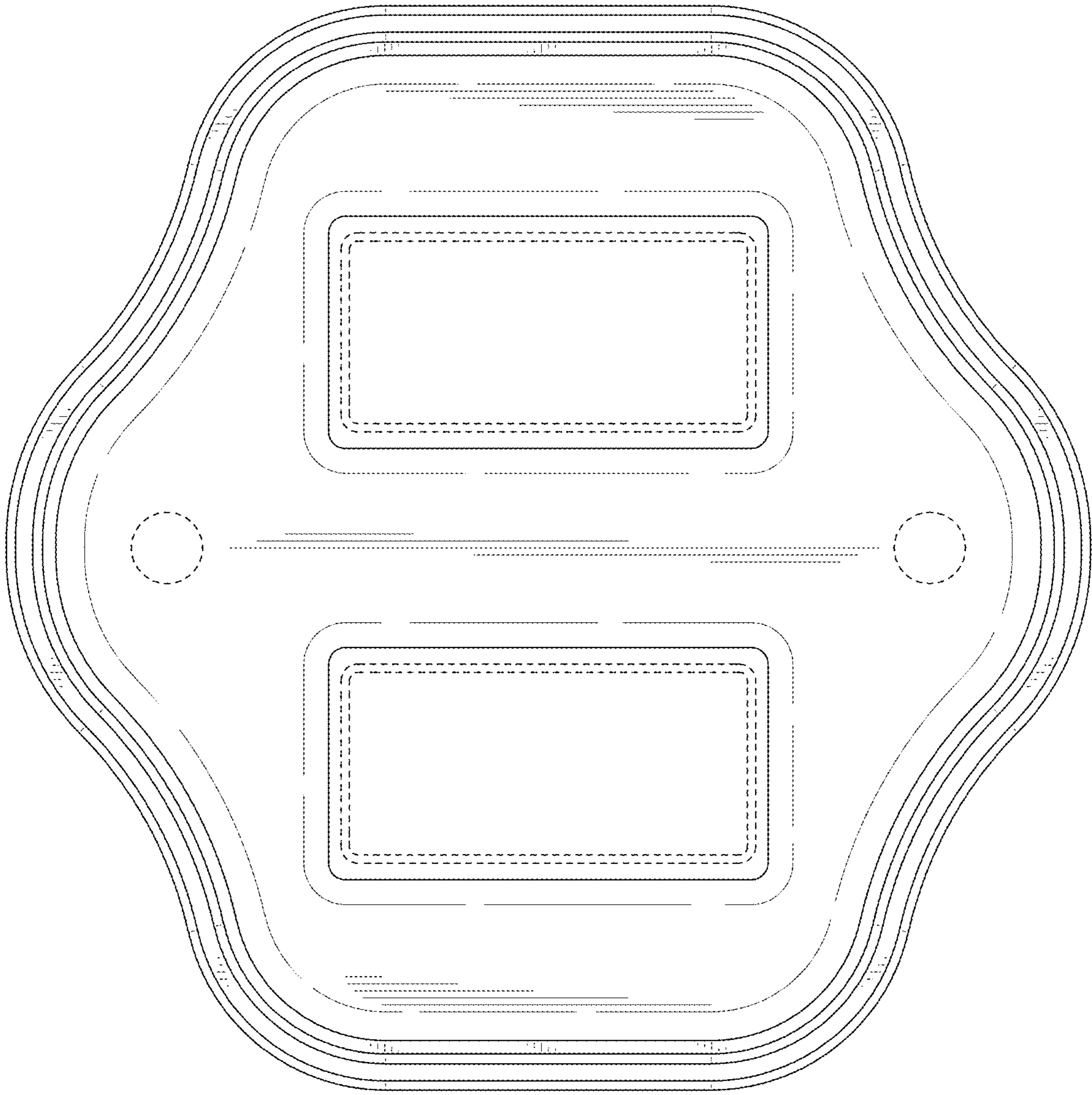


FIG. 4

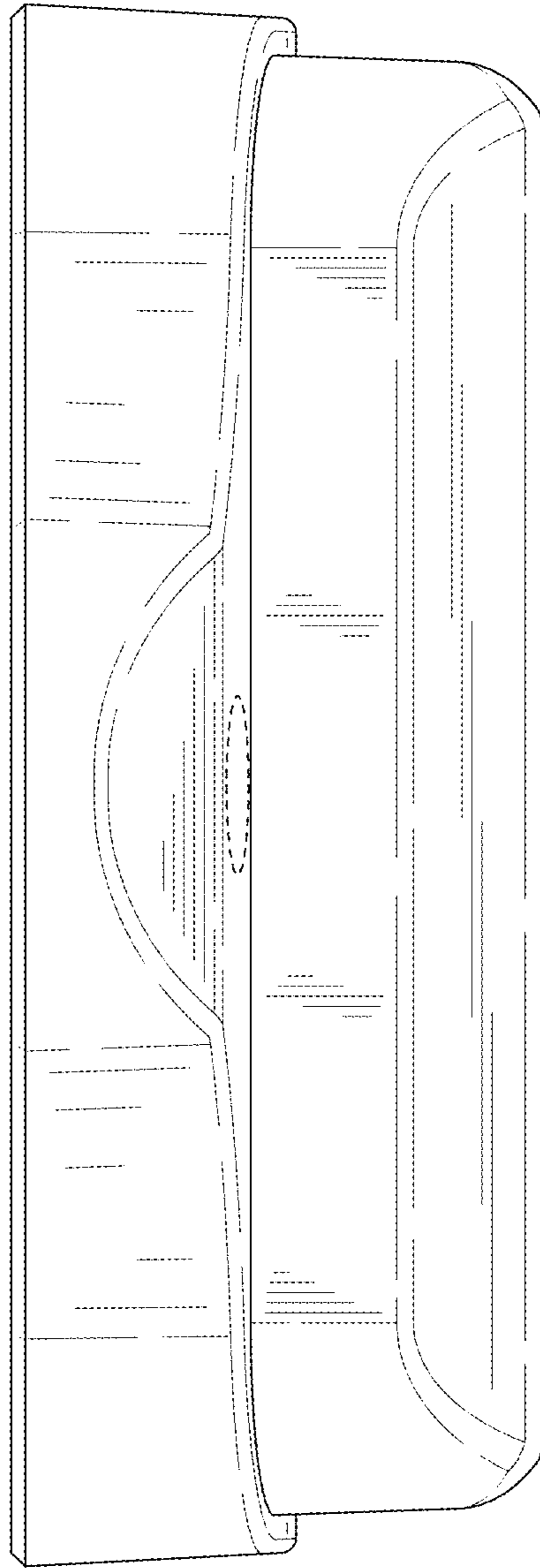


FIG. 5

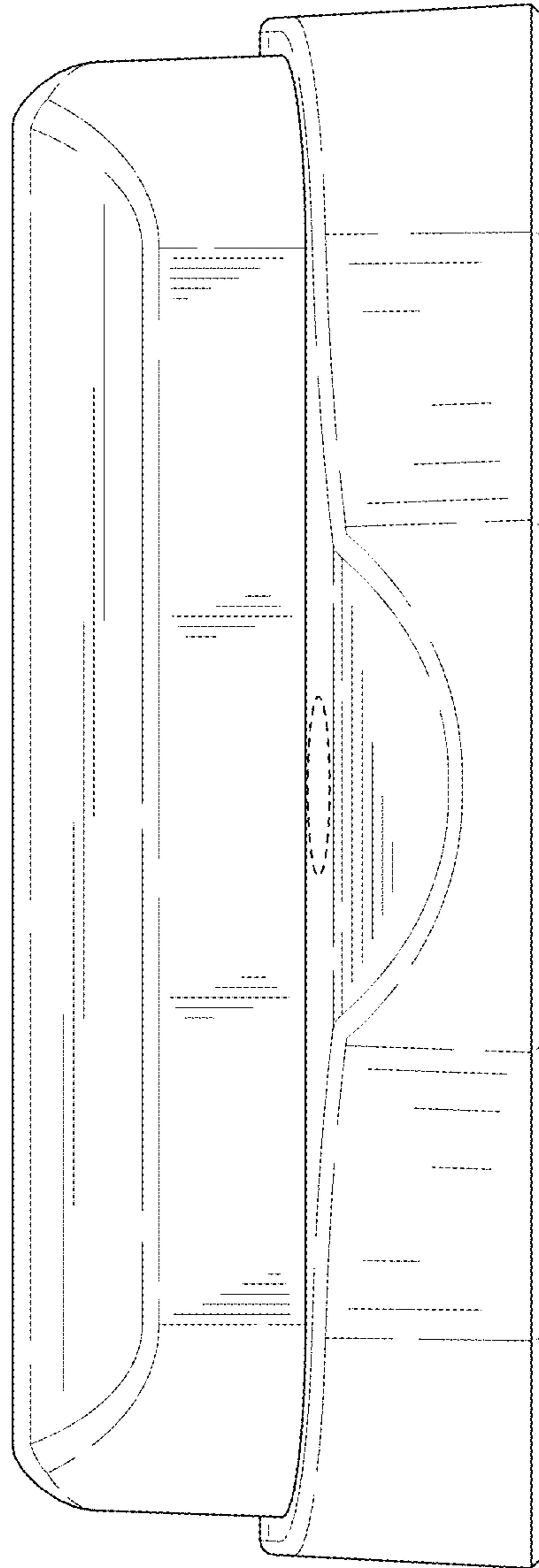


FIG. 6

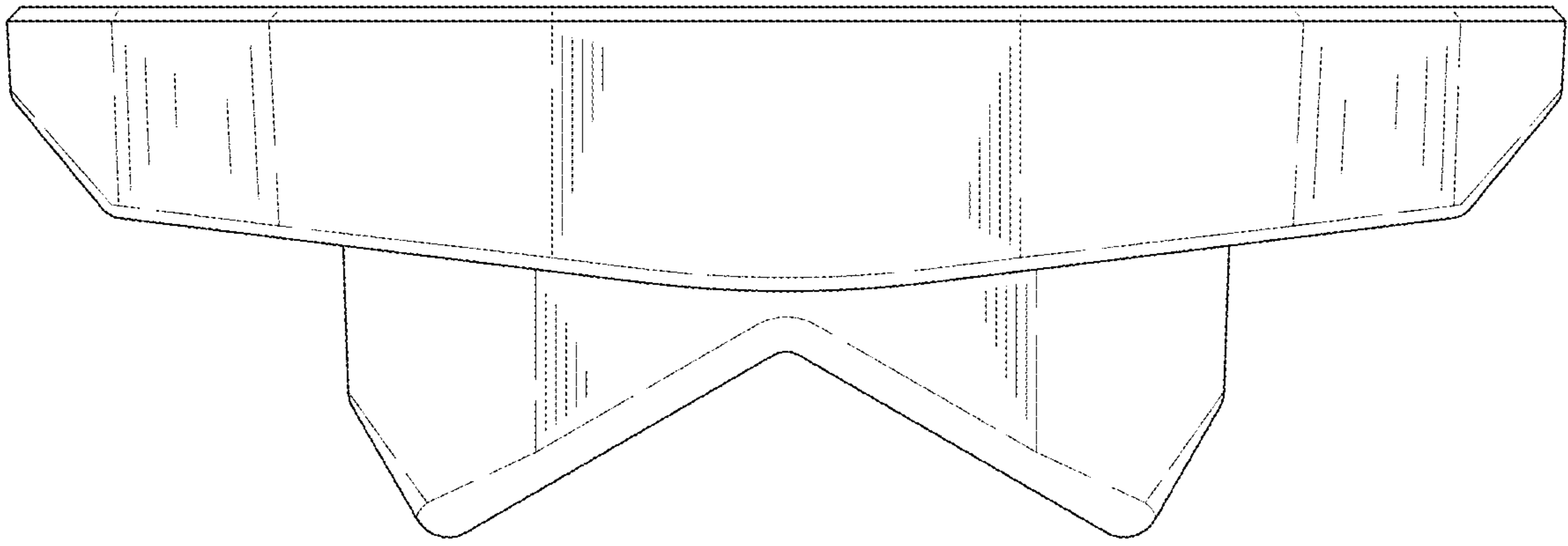


FIG. 7

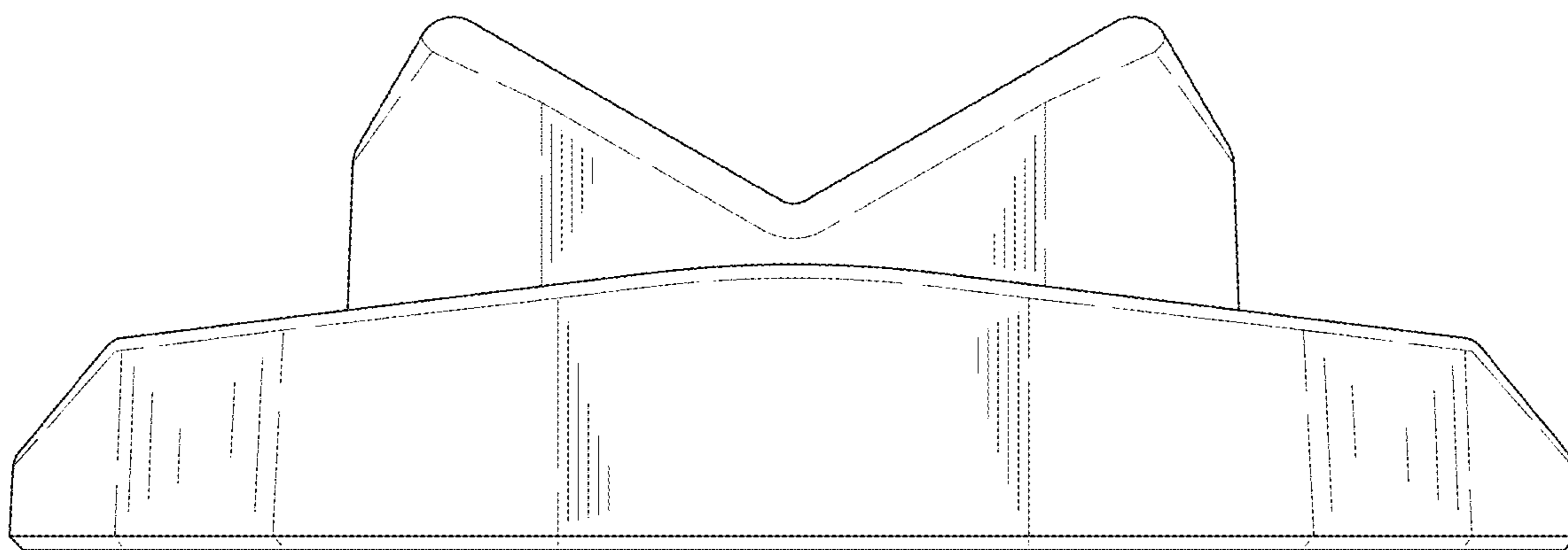


FIG. 8

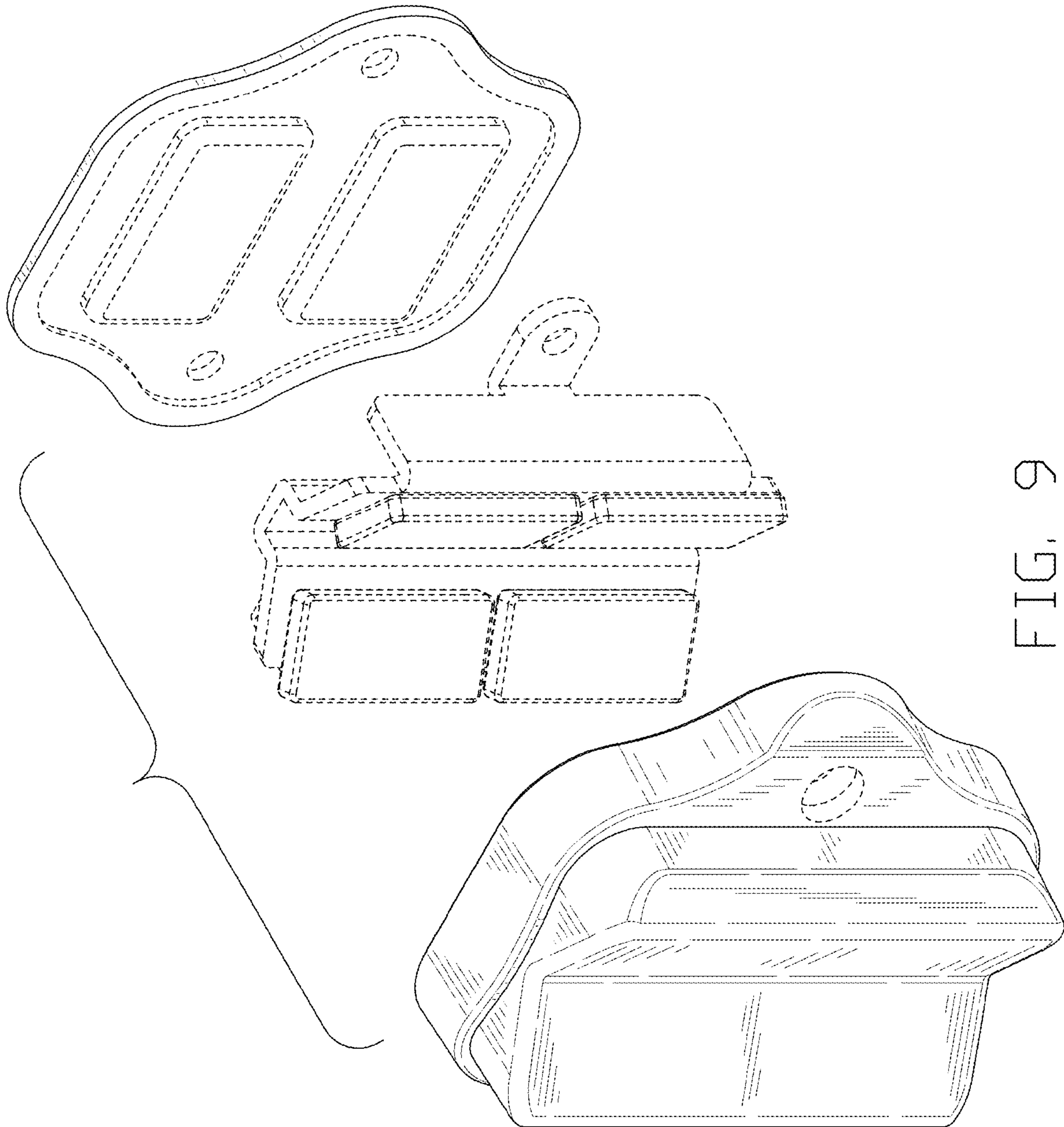


FIG. 9