



US00D974073S

(12) **United States Design Patent** (10) **Patent No.:** **US D974,073 S**
Zhou et al. (45) **Date of Patent:** **** Jan. 3, 2023**

(54) **SOAP DISPENSER**

D952,367 S * 5/2022 Li D6/542
D953,062 S * 5/2022 Wang D6/542
2022/0125249 A1* 4/2022 He A47K 5/1211

(71) Applicant: **Hangzhou Aike Appliance Co., Ltd.**,
Zhejiang (CN)

FOREIGN PATENT DOCUMENTS

(72) Inventors: **Yangyang Zhou**, Zhejiang (CN); **Haibo Wu**, Zhejiang (CN)

CN 306405091 * 3/2021
CN 306664936 * 7/2021
JP D1692204 * 8/2021
JP D1705535 * 1/2022

(73) Assignee: **HANGZHOU AIKE APPLIANCE CO., LTD.**, Zhejiang (CN)

OTHER PUBLICATIONS

(**) Term: **15 Years**

Secura foaming soap dispenser, posted Aug. 22, 2021 [online], [retrieved Sep. 14, 2022]. Retrieved from internet, <https://www.amazon.com/Secura-Dispenser-Touchless-Adjustable-Rechargeable/dp/B08ZKR4JRJ> (Year: 2021).*

(21) Appl. No.: **29/778,467**

(Continued)

(22) Filed: **Apr. 13, 2021**

(30) **Foreign Application Priority Data**

Primary Examiner — Cynthia Ramirez

Oct. 13, 2020 (CN) 202030605855.3

Assistant Examiner — Jeremy S. Swartz

(51) **LOC (14) Cl.** **23-08**

(74) *Attorney, Agent, or Firm* — Muncy, Geissler, Olds & Lowe, P.C.

(52) **U.S. Cl.**

USPC **D6/542**

(58) **Field of Classification Search**

USPC D6/542–545

CPC A47K 5/1217; A47K 5/1207; A47K 5/12

See application file for complete search history.

(57) **CLAIM**

The ornamental design for a soap dispenser, as shown and described.

DESCRIPTION

(56) **References Cited**

FIG. 1 is a perspective view of a soap dispenser showing our new design;

U.S. PATENT DOCUMENTS

D869,194 S * 12/2019 Joseph D6/542
D892,516 S * 8/2020 Yang D6/542
D894,631 S * 9/2020 Yang D6/542
D895,998 S * 9/2020 Li D6/542
D897,721 S * 10/2020 Jia D6/542
D906,723 S * 1/2021 Chen D6/542
D909,089 S * 2/2021 Hong D6/542
D911,739 S * 3/2021 Zhao D6/542
D916,501 S * 4/2021 Merrill D6/542
D937,606 S * 12/2021 Chen D6/542

FIG. 2 is a front elevational view thereof;

FIG. 3 is a rear elevational view thereof;

FIG. 4 is a left side elevational view thereof;

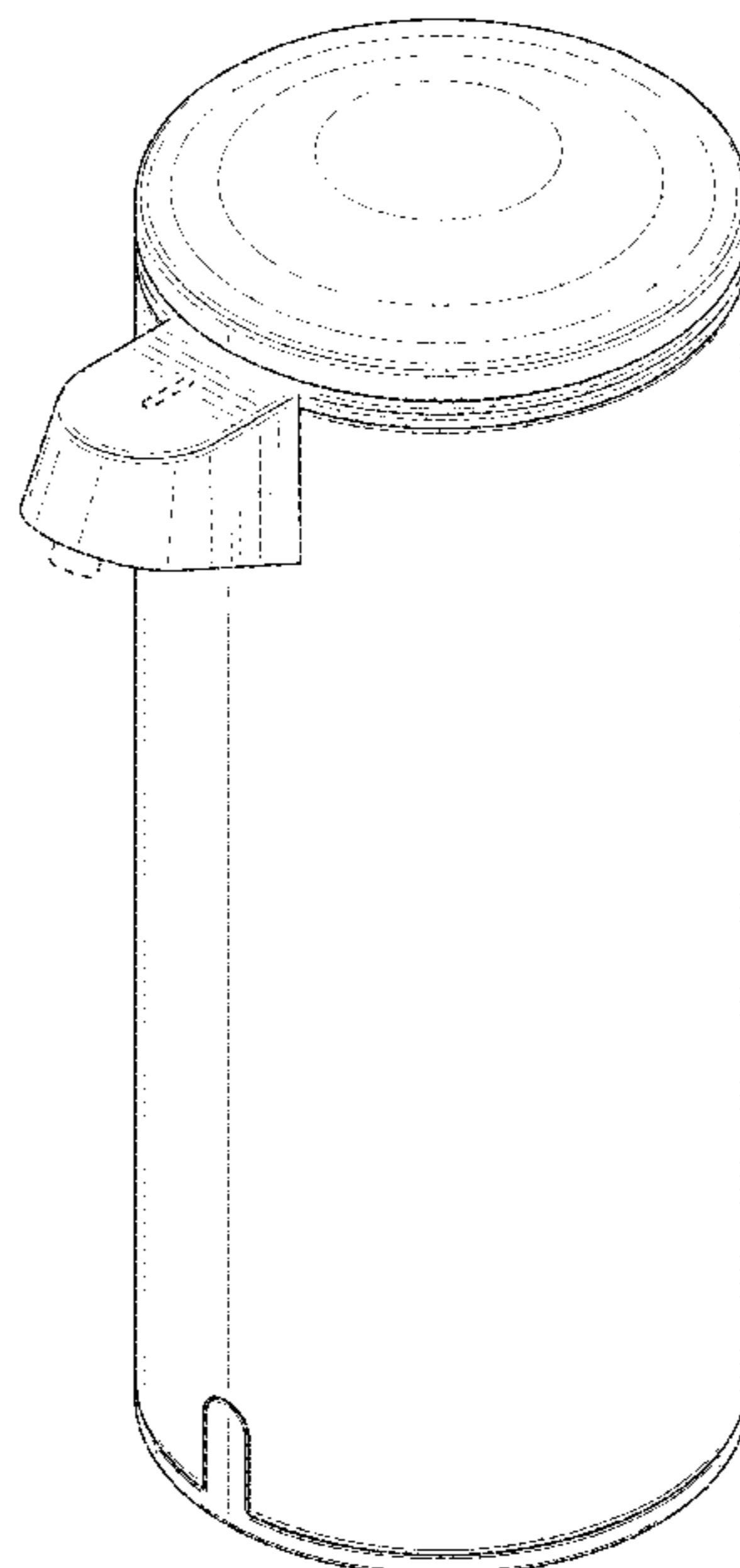
FIG. 5 is a right side elevational view thereof;

FIG. 6 is a top plan view thereof; and,

FIG. 7 is a bottom plan view thereof.

The broken lines illustrate portions of the soap dispenser which form no part of the claimed design.

1 Claim, 7 Drawing Sheets



(56)

References Cited

OTHER PUBLICATIONS

LAOPAO soap dispenser, posted unknown [online], [retrieved Sep. 14, 2022]. Retrieved from internet, <https://www.amazon.com/LAOPAO-Dispenser-Automatic-Rechargeable-Countertop/dp/B09CTVMRRT?th=1> (Year: 2022).*

Simplehuman soap dispenser, posted unknown [online], [retrieved Sep. 14, 2022]. Retrieved from internet, <https://www.amazon.com/simplehuman-Sensor-Brushed-Stainless-Steel/dp/B0758B1S5X?th=1> (Year: 2022).*

AIKE soap dispenser, posted unknown [May 28, 2021], [retrieved Sep. 14, 2022]. Retrieved from internet, <https://www.amazon.com/AIKE-Rechargeable-Automatic-Dispenser-Stainless/dp/B0963GWJPR?th=1> (Year: 2021).*

* cited by examiner

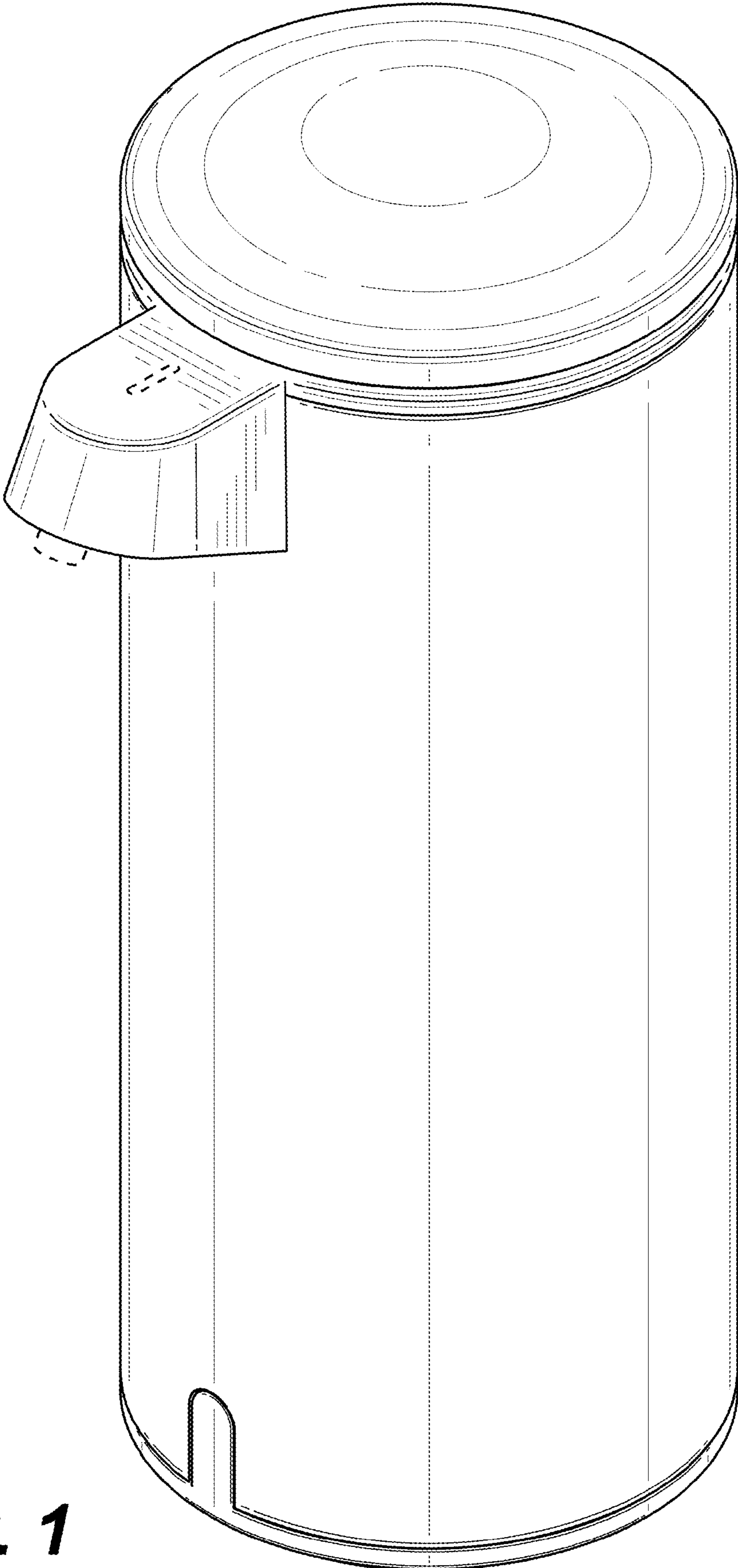


FIG. 1

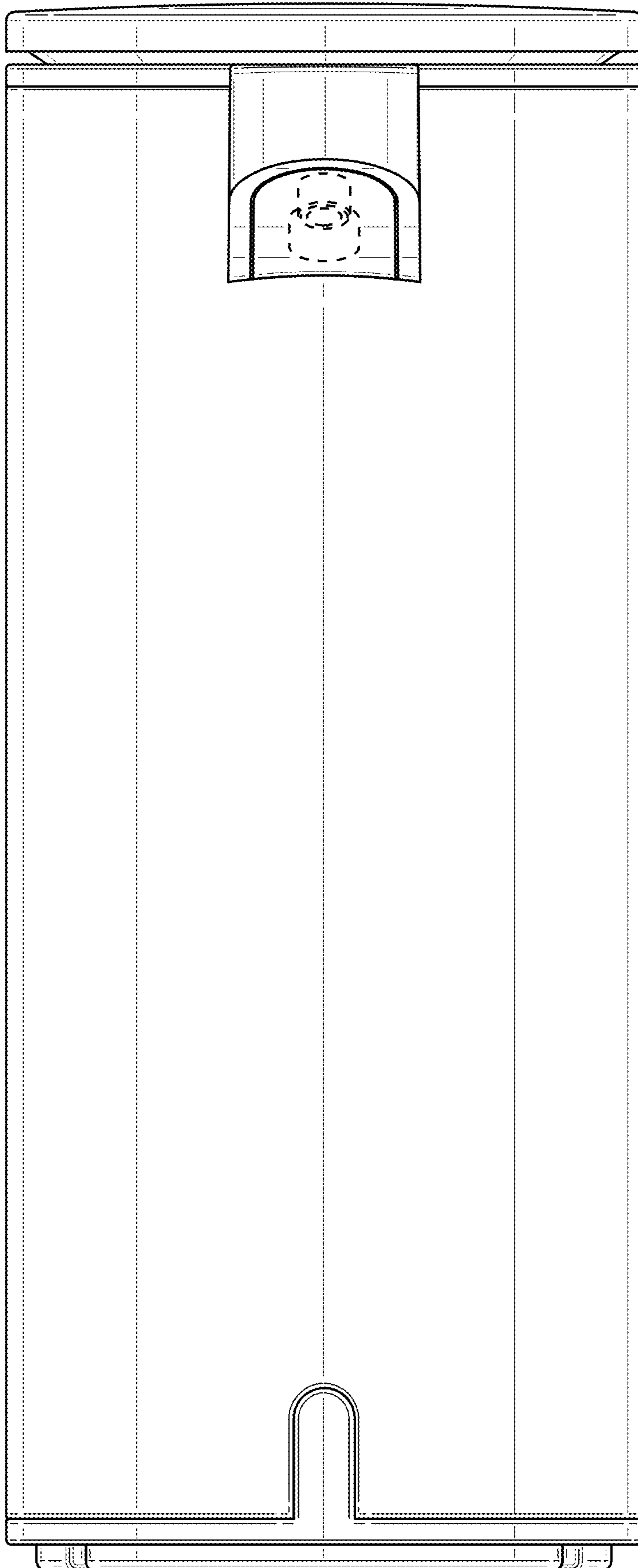


FIG. 2

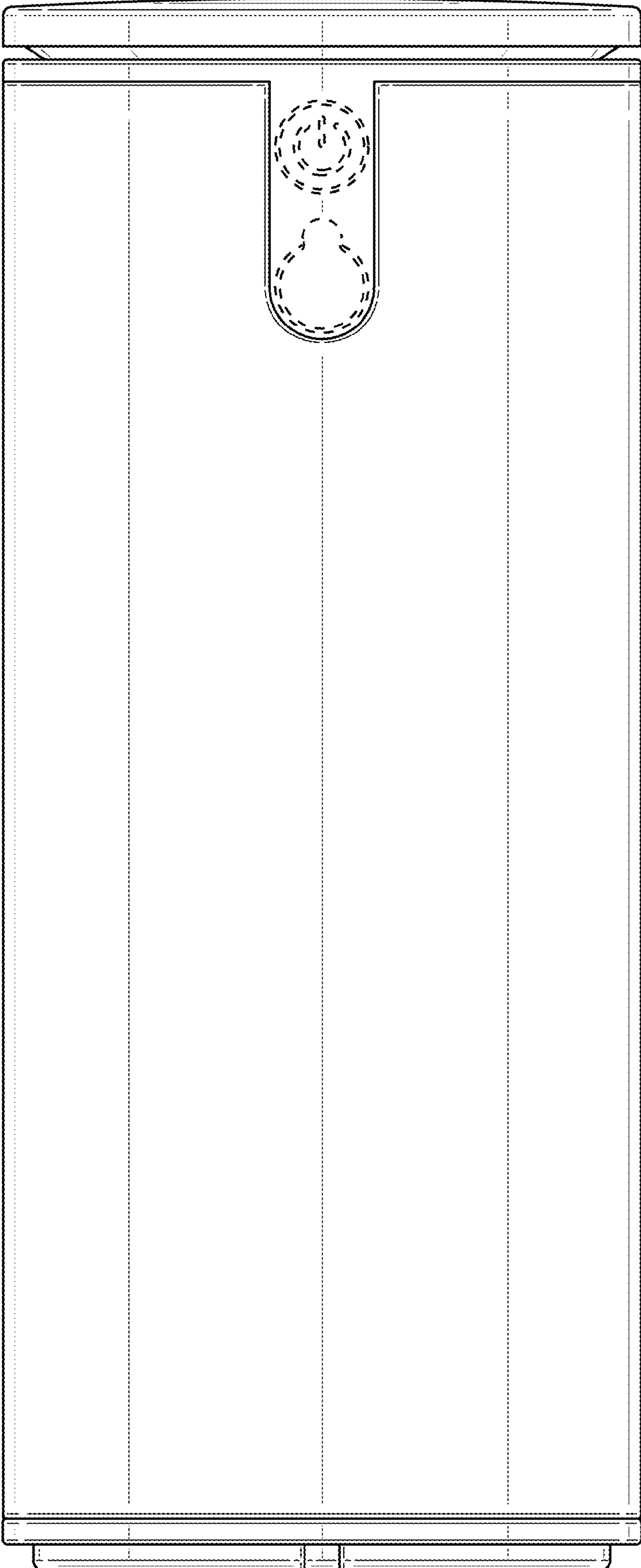


FIG. 3

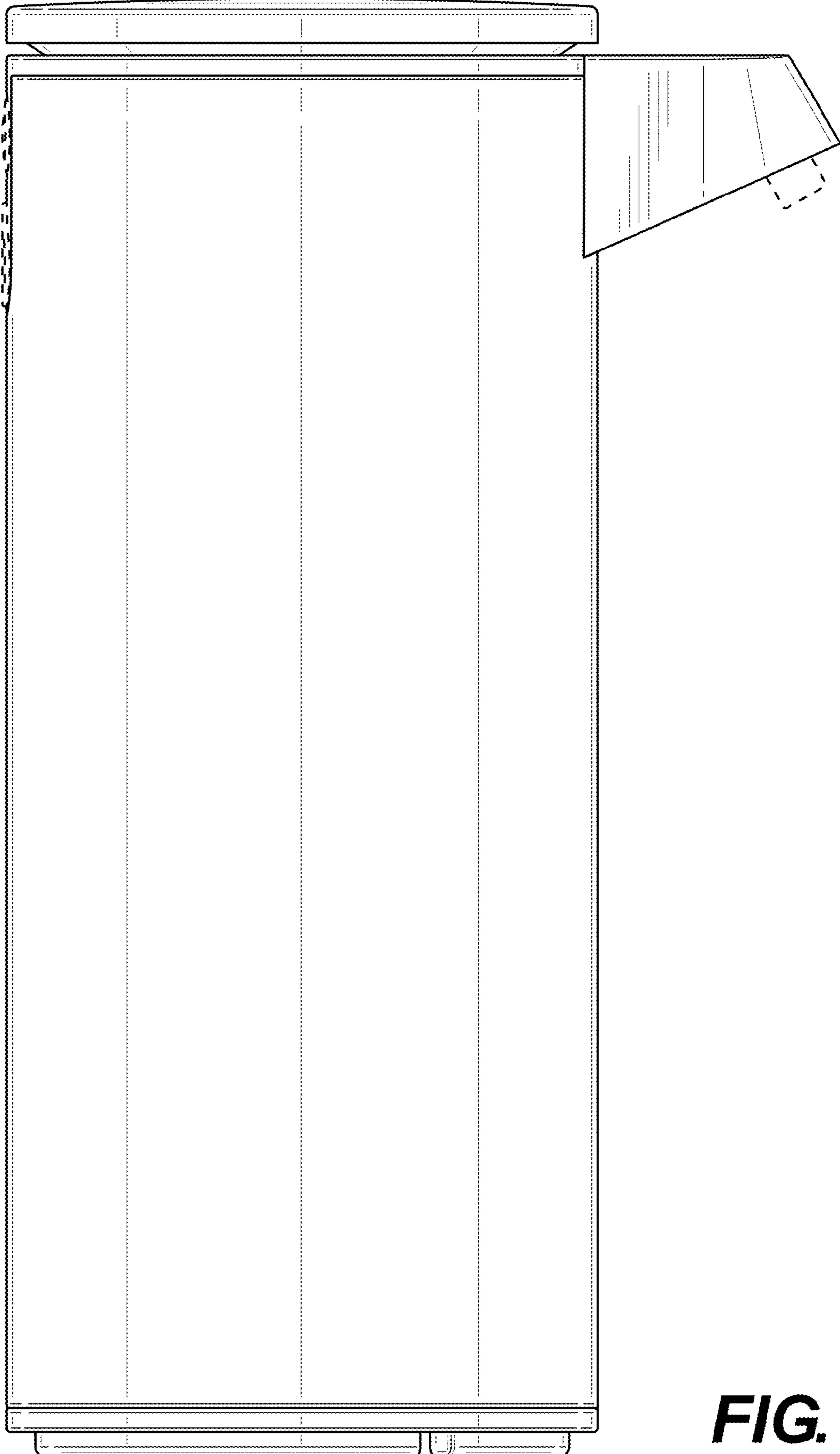


FIG. 4

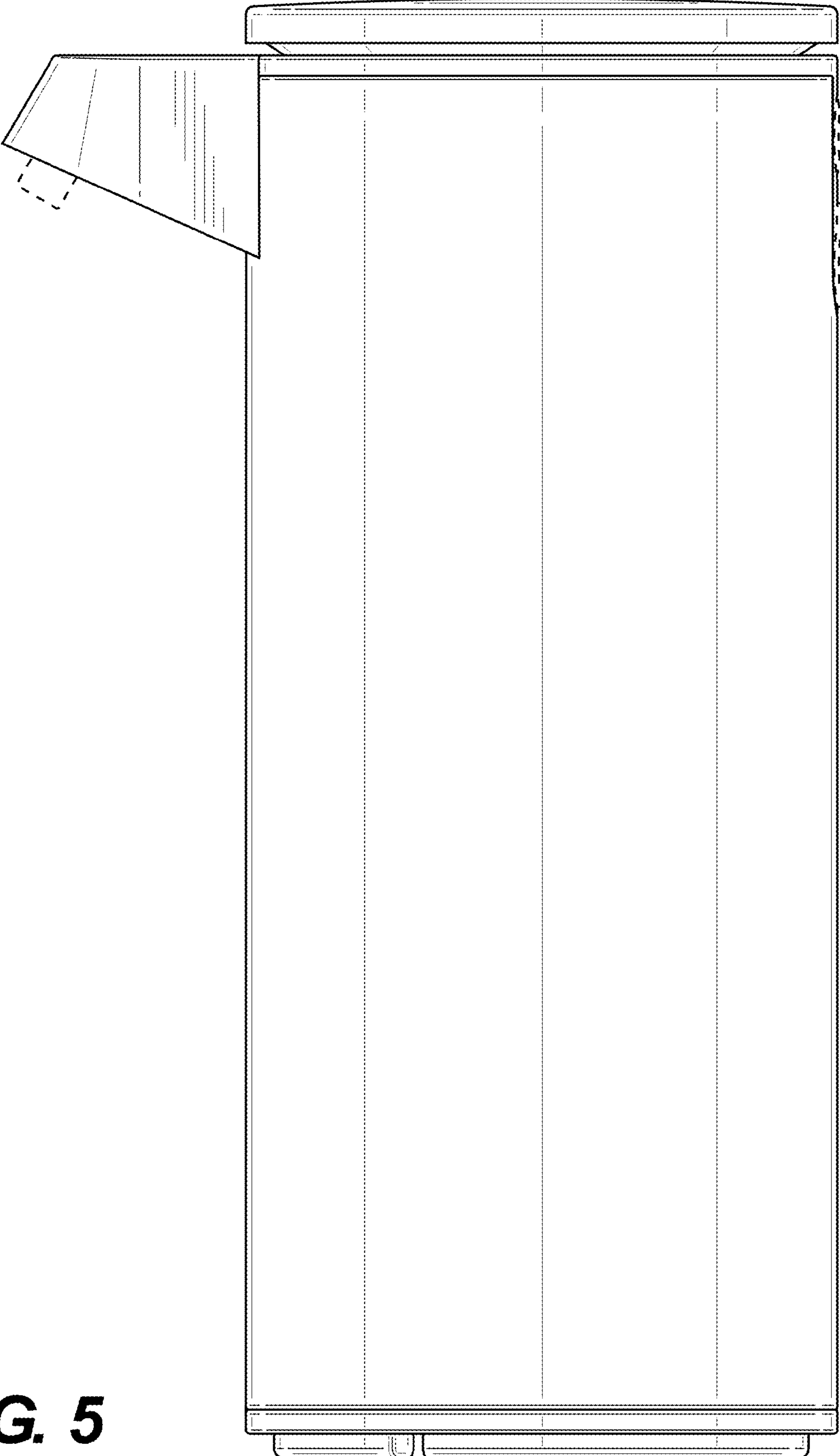


FIG. 5

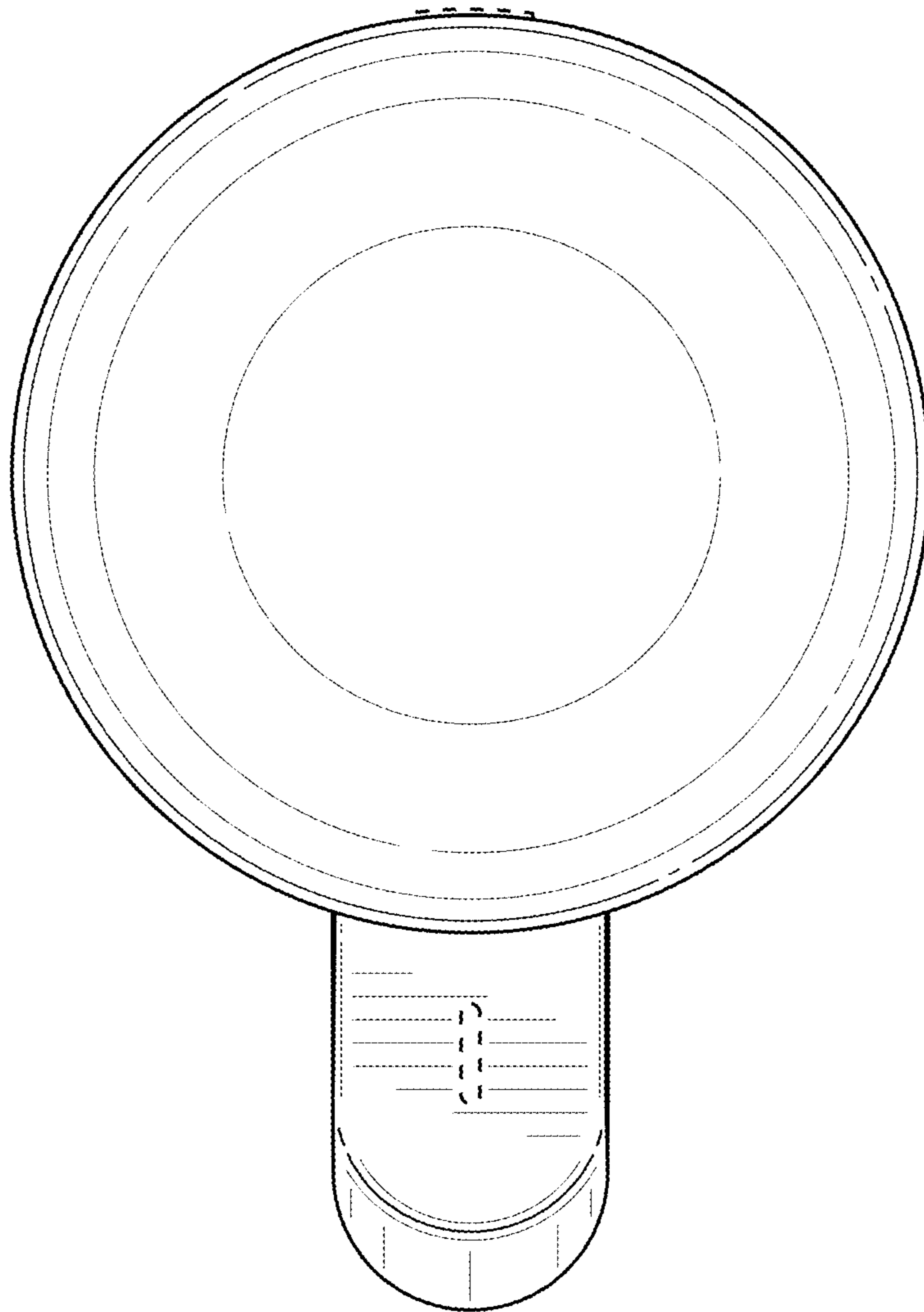


FIG. 6

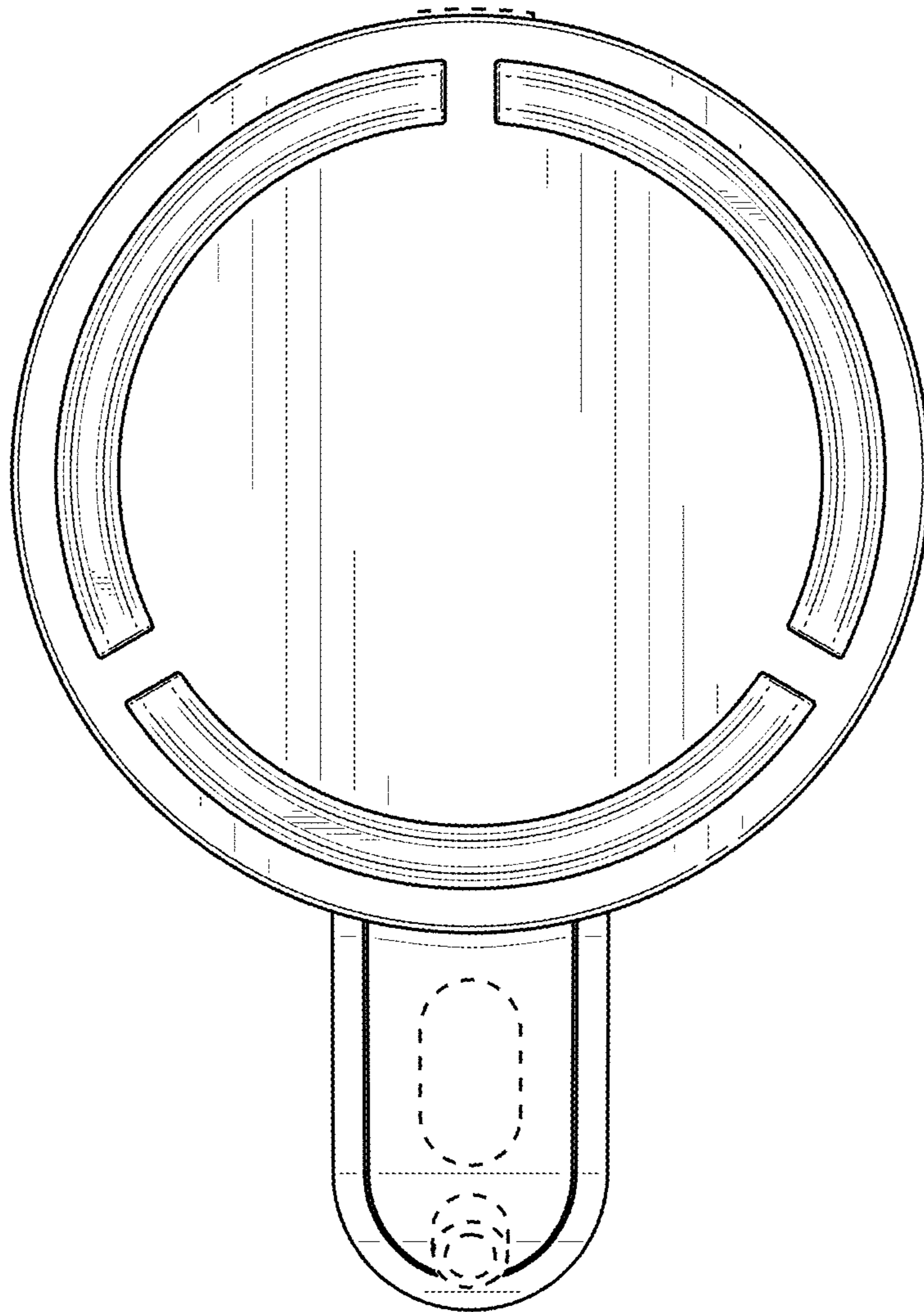


FIG. 7