



US00D974072S

(12) **United States Design Patent**  
**Zeng**

(10) **Patent No.:** **US D974,072 S**

(45) **Date of Patent:** **\*\* Jan. 3, 2023**

(54) **TISSUE HOLDER**

(71) Applicant: **Jinming Zeng**, Chaozhou (CN)

(72) Inventor: **Jinming Zeng**, Chaozhou (CN)

(\*\*) Term: **15 Years**

(21) Appl. No.: **29/795,172**

(22) Filed: **Jun. 17, 2021**

(30) **Foreign Application Priority Data**

Jan. 19, 2021 (CN) ..... 202130036049.3

(51) **LOC (14) Cl.** ..... **23-02**

(52) **U.S. Cl.**  
USPC ..... **D6/523**

(58) **Field of Classification Search**  
USPC ..... D6/523, 546-550, 518-522; D8/300,  
D8/303, 315, 321  
CPC ..... A45F 2005/025; A45F 2005/027; A47K  
2010/3253; A47K 10/22; A47K 10/3836;  
A47K 10/16; A47K 10/3818; A47K  
2010/3233; B60R 7/084  
See application file for complete search history.

(56) **References Cited**

**U.S. PATENT DOCUMENTS**

D249,854 S \* 10/1978 Baldini ..... D6/546  
D263,549 S \* 3/1982 Bennett ..... D8/1  
D264,932 S \* 6/1982 Miller ..... D8/302

D488,539 S \* 4/2004 McKeone ..... D23/255  
D683,987 S \* 6/2013 Bickler ..... D6/523  
D718,839 S \* 12/2014 Garland ..... D23/252  
D718,841 S \* 12/2014 Garland ..... D23/252  
D763,411 S \* 8/2016 Garland ..... D23/252  
D763,412 S \* 8/2016 Garland ..... D23/252  
D853,747 S 7/2019 Bahler  
D857,418 S 8/2019 Garland et al.  
D911,735 S 3/2021 Spangler

\* cited by examiner

*Primary Examiner* — Nathan M Johnston

(74) *Attorney, Agent, or Firm* — Rumi Ranjit Kanakia

(57) **CLAIM**

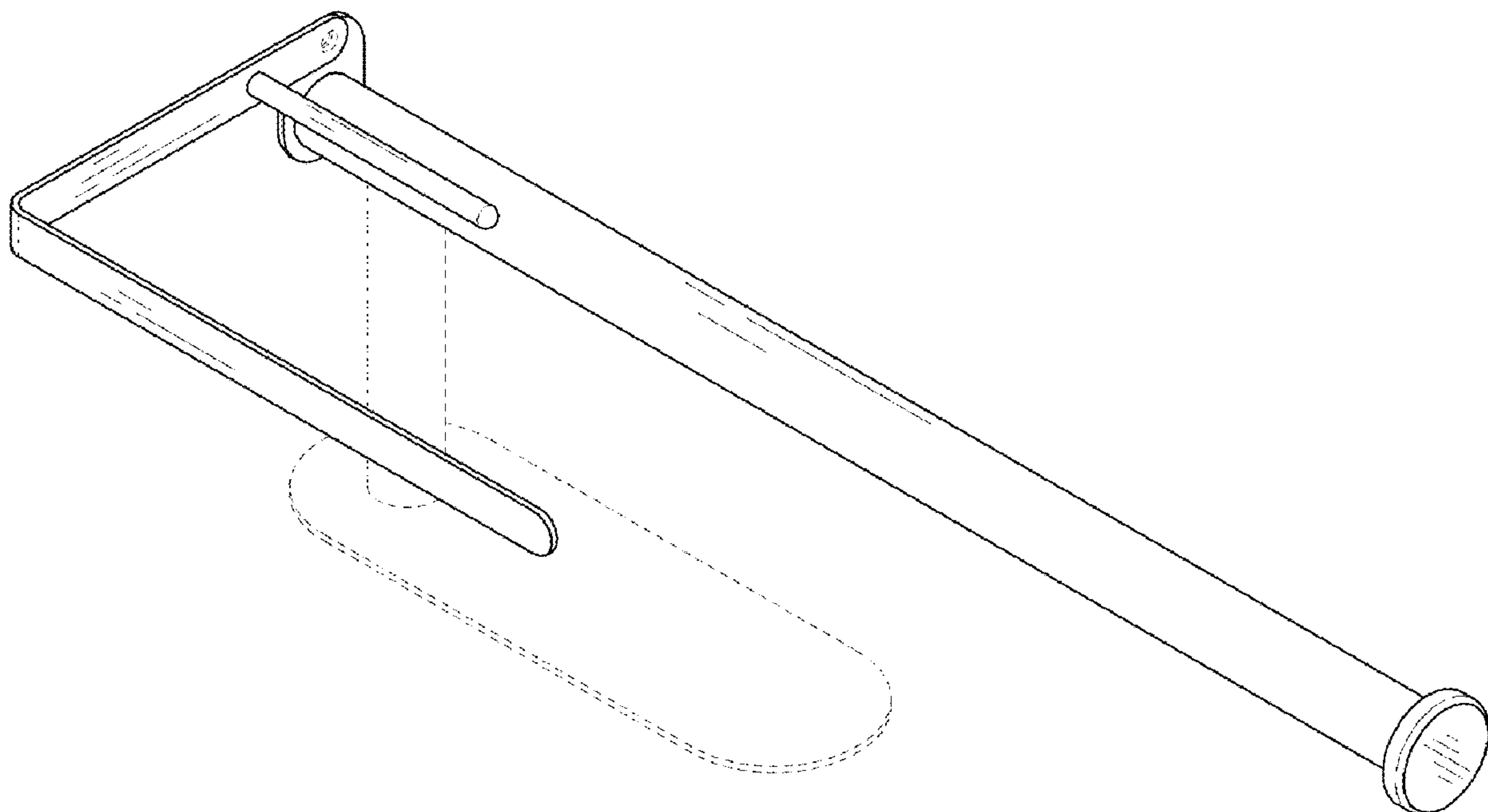
The ornamental design for a tissue holder, as shown and described.

**DESCRIPTION**

FIG. 1 is a first perspective view of a tissue holder showing my new design;  
FIG. 2 is a second perspective view thereof;  
FIG. 3 is a front view thereof;  
FIG. 4 is a back view thereof;  
FIG. 5 is a left side view thereof;  
FIG. 6 is a right side view thereof;  
FIG. 7 is a top view thereof; and,  
FIG. 8 is a bottom view thereof.

The broken lines shown in the drawings depict portions of the tissue holder in which the design is embodied that form no part of the claimed design.

**1 Claim, 8 Drawing Sheets**



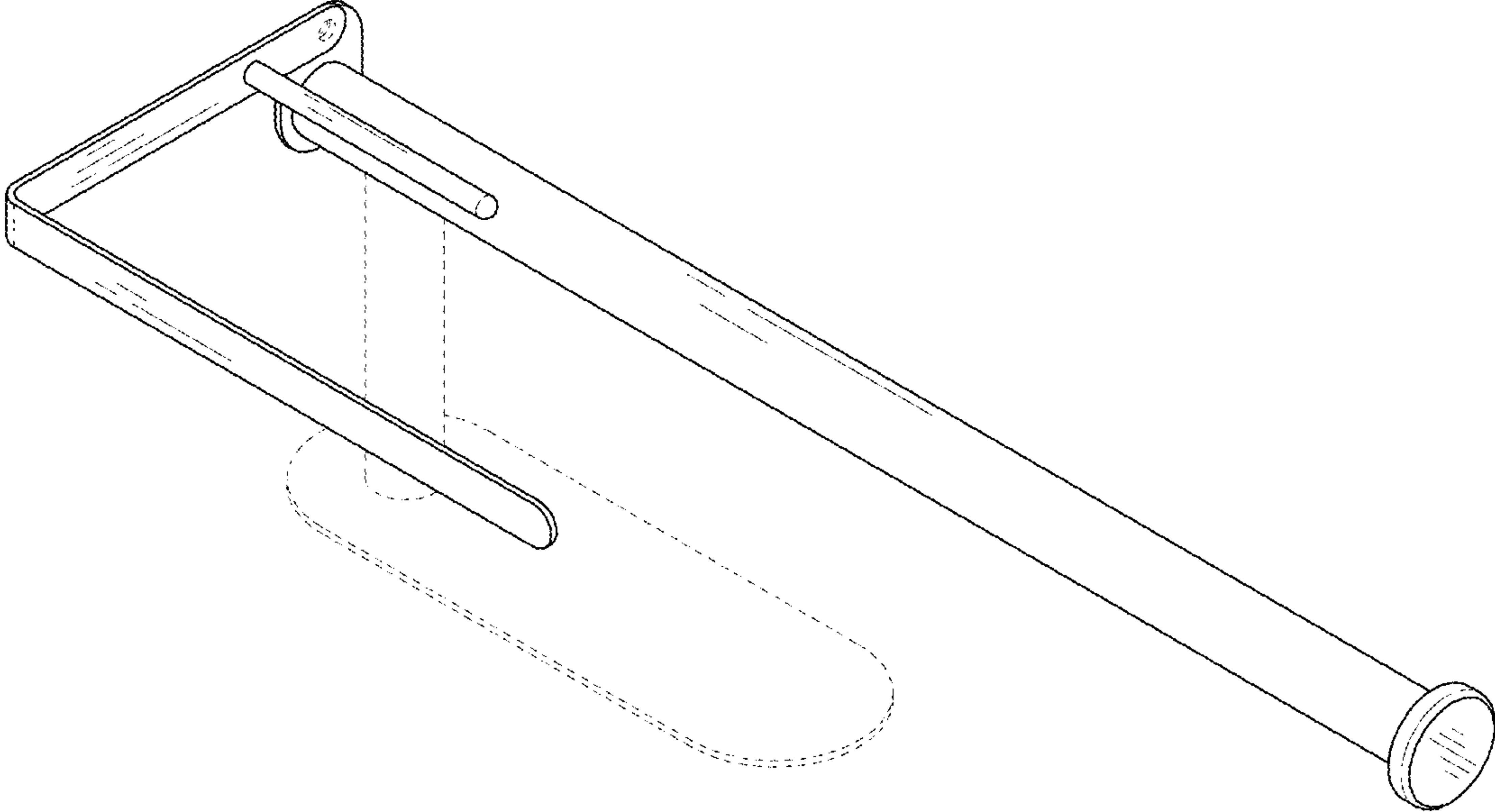


FIG. 1

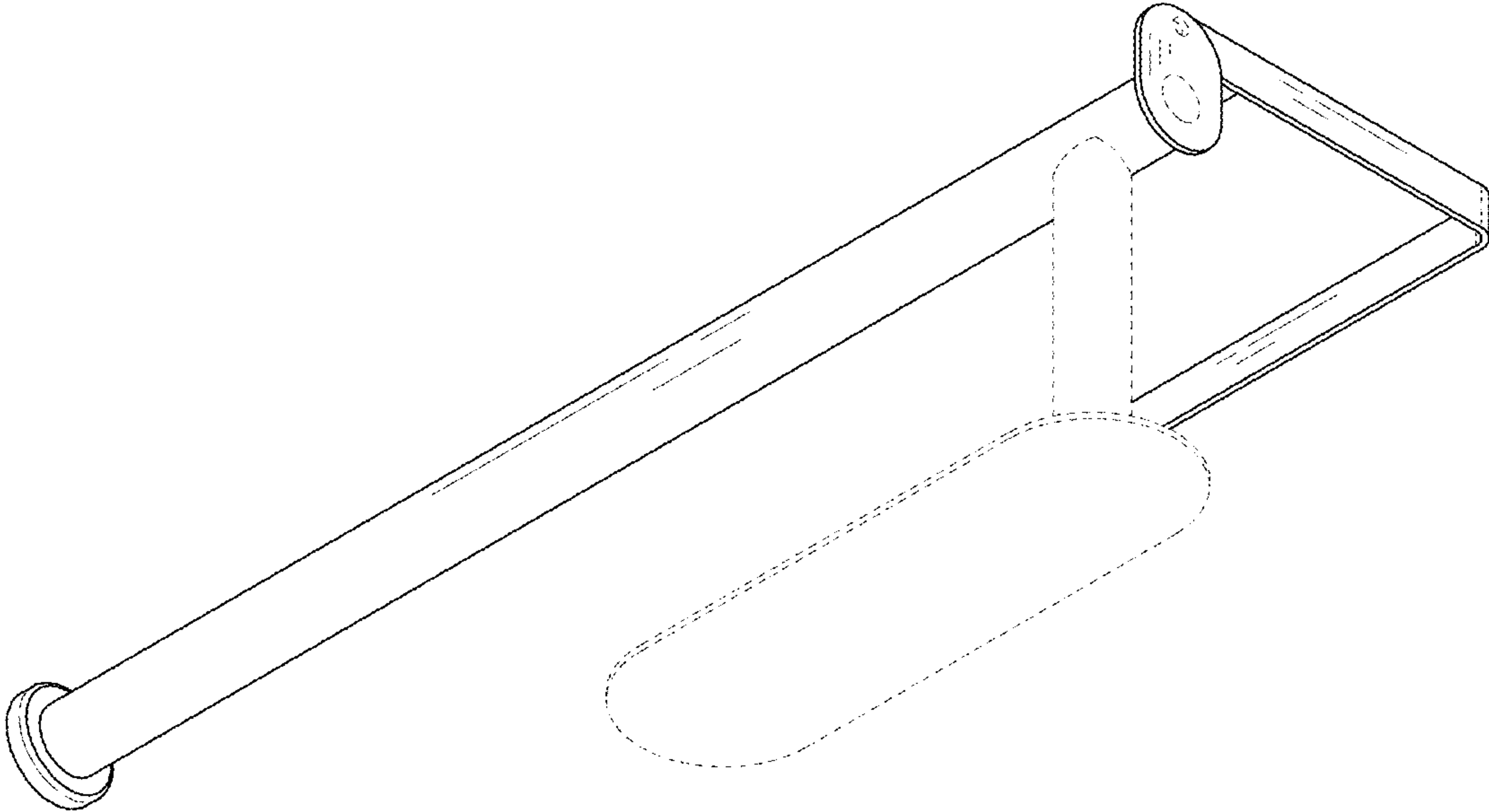


FIG. 2

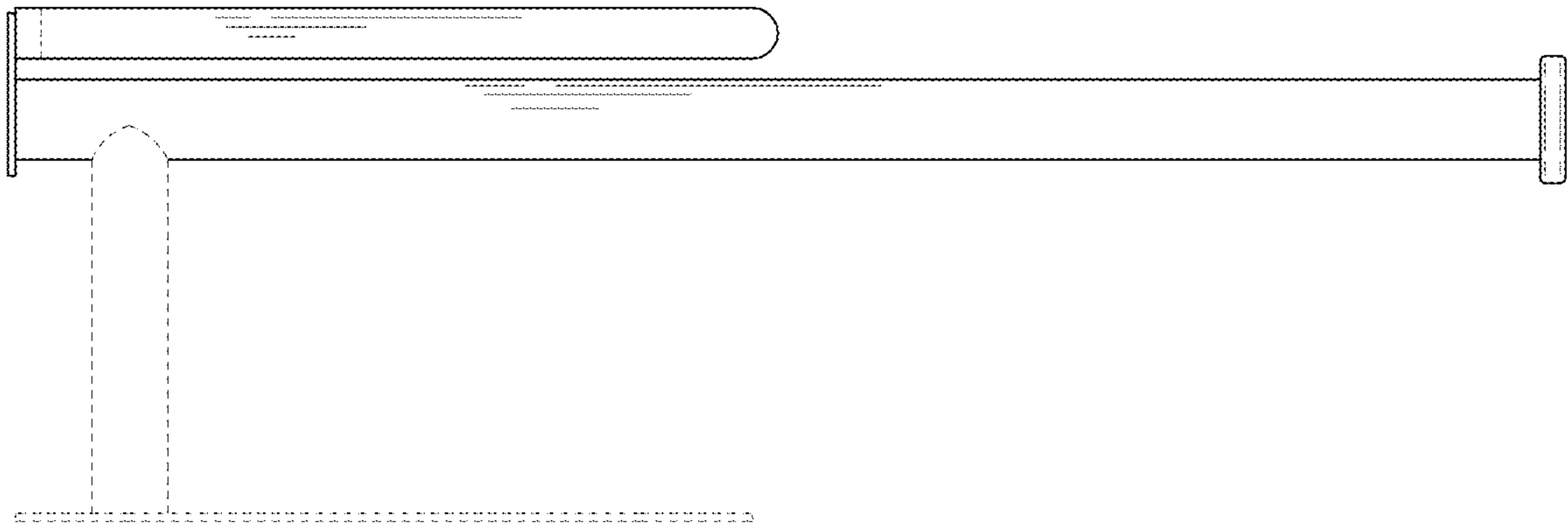


FIG. 3



FIG. 4

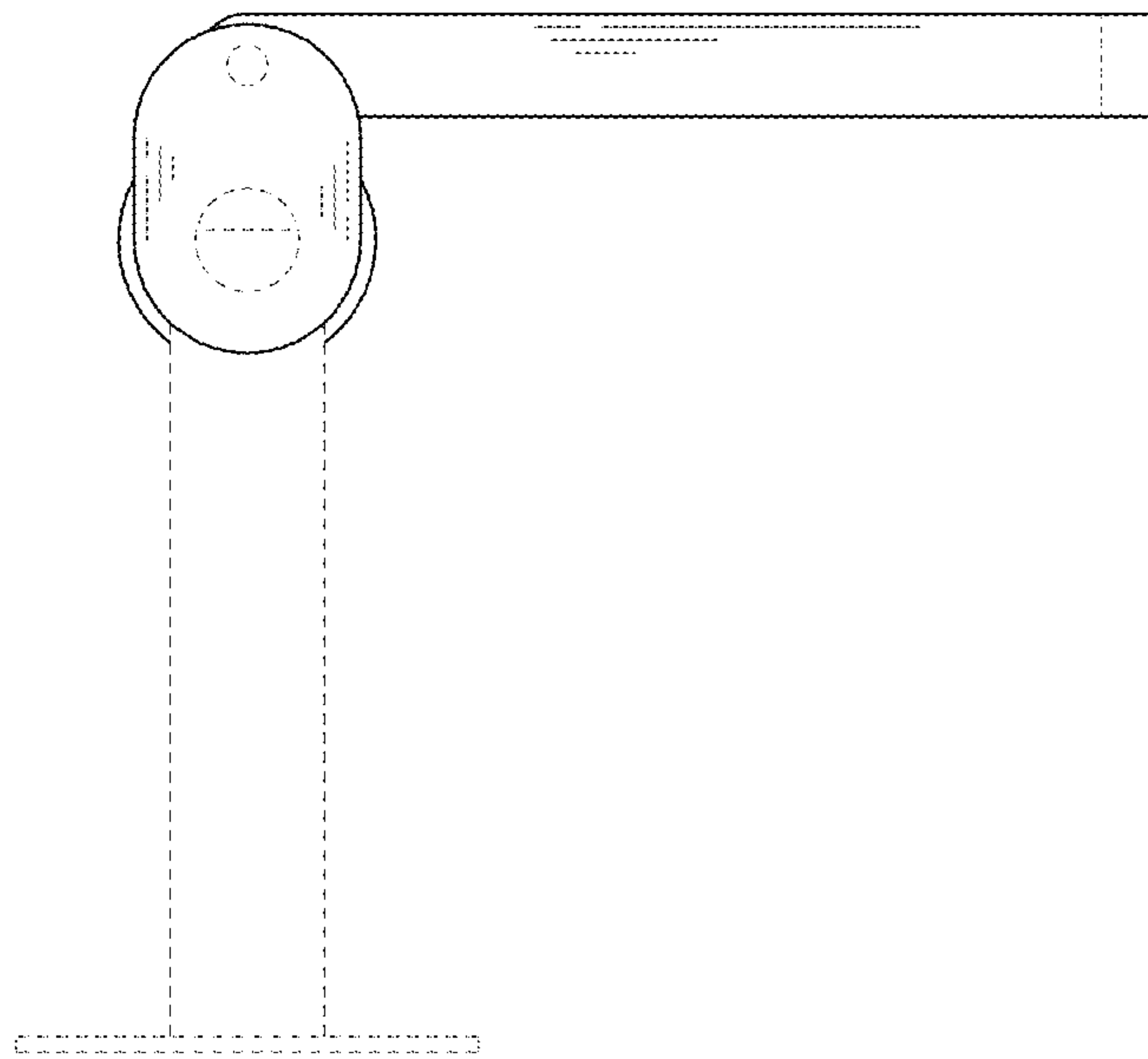


FIG. 5

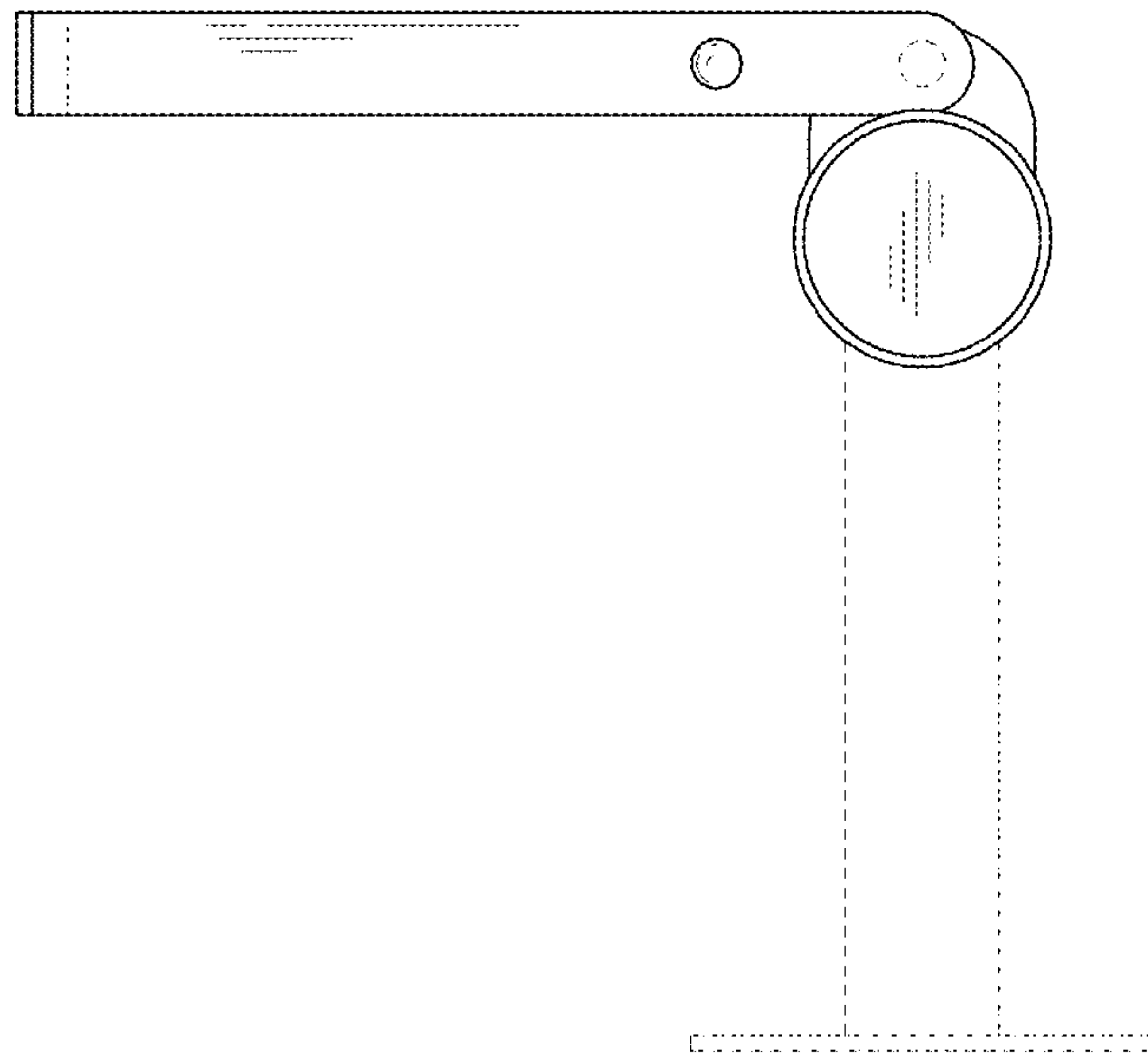


FIG. 6

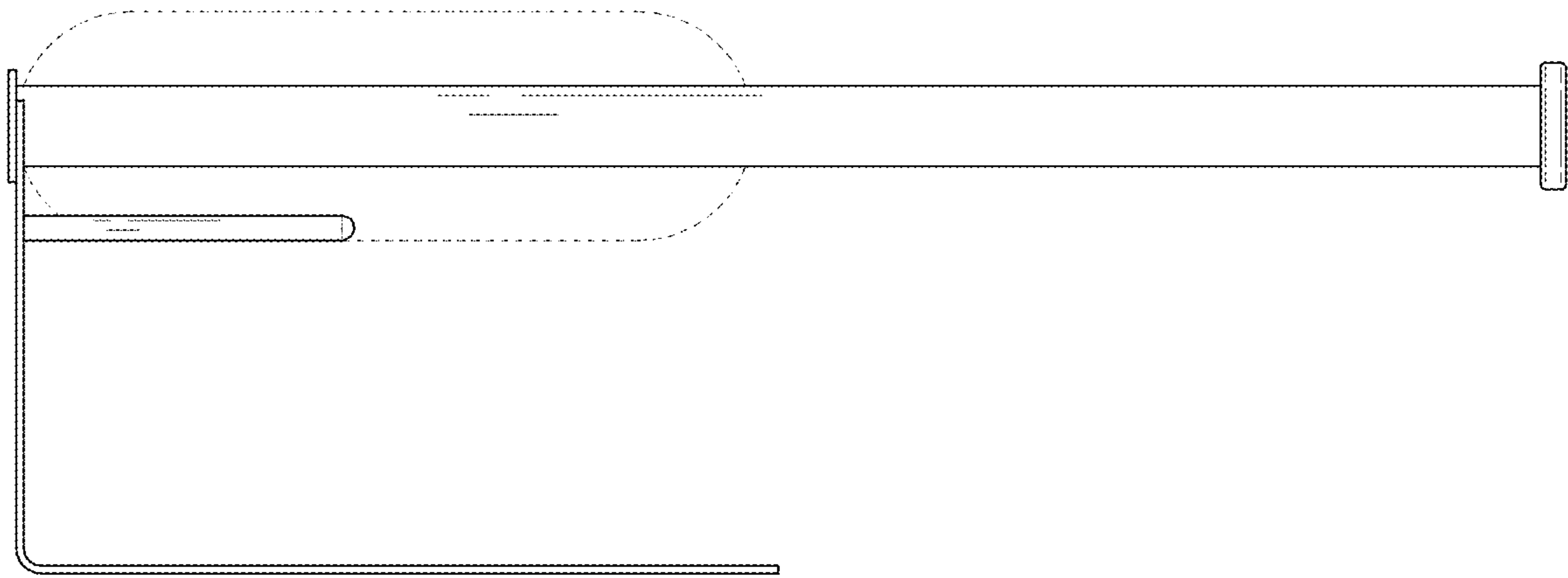


FIG. 7



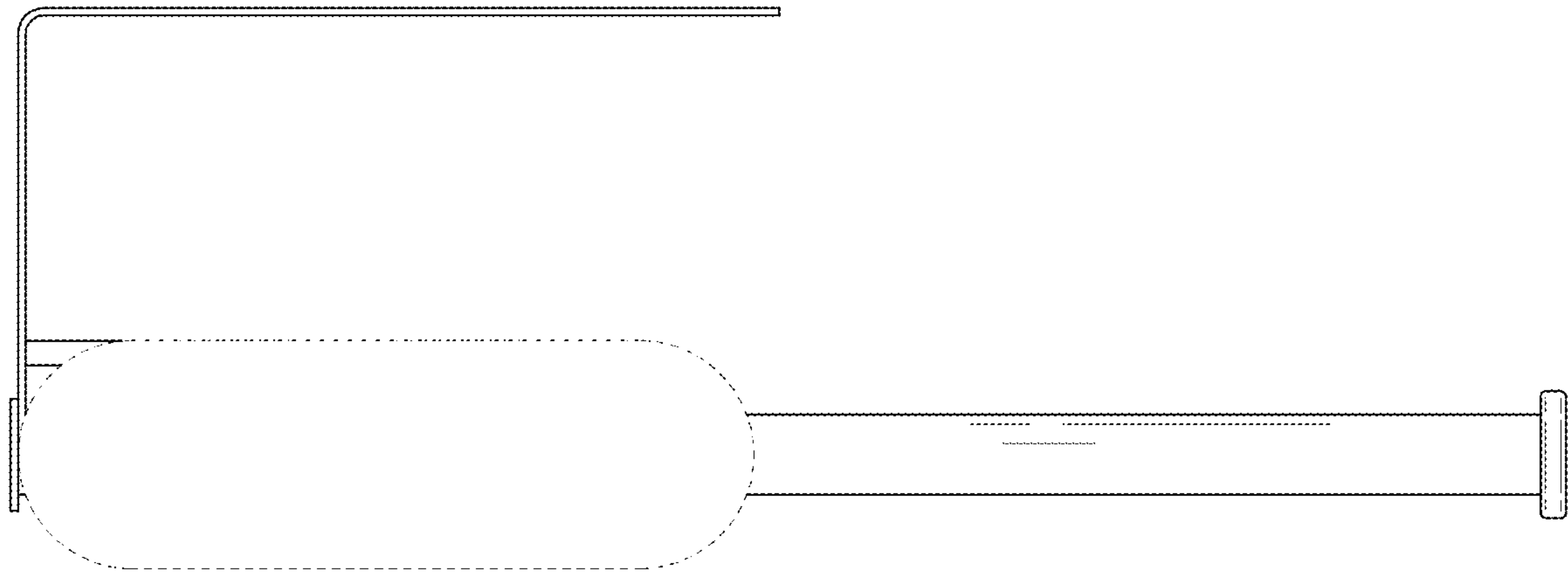


FIG. 8