



US00D974069S

(12) **United States Design Patent**
Kong et al.

(10) **Patent No.:** **US D974,069 S**
(45) **Date of Patent:** **** Jan. 3, 2023**

- (54) **FOLDABLE LAPTOP TABLE**
- (71) Applicant: **SHENZHEN BESTQI INNOVATION TECHNOLOGY CO., LTD**, Shenzhen (CN)
- (72) Inventors: **Decui Kong**, Shenzhen (CN); **Yingpeng Li**, Shenzhen (CN)
- (73) Assignee: **SHENZHEN BESTQI INNOVATION TECHNOLOGY CO., LTD**, Shenzhen (CN)
- (**) Term: **15 Years**
- (21) Appl. No.: **29/817,724**
- (22) Filed: **Dec. 3, 2021**
- (51) **LOC (14) Cl.** **06-06**
- (52) **U.S. Cl.**
USPC **D6/406.6; D6/656.16**
- (58) **Field of Classification Search**
USPC D6/406.1, 406.3, 406.5, 406.6, 512, D6/685-686, 691, 704, 705, 656.15, D6/656.16; D7/550.1, 552.2, 554.3, 555; D14/439, 447
CPC A47G 23/06; A47G 23/08; A47G 29/093; A47B 23/00; A47B 23/002; G06F 1/1613
See application file for complete search history.

(56) **References Cited**

U.S. PATENT DOCUMENTS

D134,456 S *	12/1942	Hillenbrand	D6/406.1
D147,414 S *	9/1947	Maynard et al.	D6/406.6
D236,058 S *	7/1975	Kramer	D6/691.5
D299,798 S *	2/1989	Sottsas	D6/656.16
D303,882 S *	10/1989	Sottsas	D6/652
D319,358 S *	8/1991	Giugiaro	D6/406.1
D322,729 S *	12/1991	Diffrient	D6/691.5
D330,299 S *	10/1992	Saotome	D6/656.17
D336,393 S *	6/1993	Saotome	D6/656.17

D428,729 S *	8/2000	Weitzman	D6/406.5
D536,193 S *	2/2007	Sapp	D14/305
D557,522 S *	12/2007	Stapleton	D6/656.17
D563,697 S *	3/2008	Glass	D6/708.16
D619,822 S *	7/2010	Damgaard-Sorensen	D6/406.1
D644,044 S *	8/2011	Kitajima	D6/656.17
D644,855 S *	9/2011	Saito	D6/656.17
D679,921 S *	4/2013	Kiechler	D6/406.5
D710,133 S *	8/2014	Scharer	D6/656.17
D719,767 S *	12/2014	Scharer	D6/656.17
D732,317 S *	6/2015	Chang	D6/656.17
D776,961 S *	1/2017	Yamamoto	D6/656.16
D846,917 S *	4/2019	Hu	D6/656.17
D862,129 S *	10/2019	Hu	D6/656.17
D862,937 S *	10/2019	Störiko	D6/691.5
D875,442 S *	2/2020	Duan	D6/656.16
D877,544 S *	3/2020	Hu	D6/656.16
D879,514 S *	3/2020	Goldberg	D6/656.16

(Continued)

Primary Examiner — Kelley A Donnelly

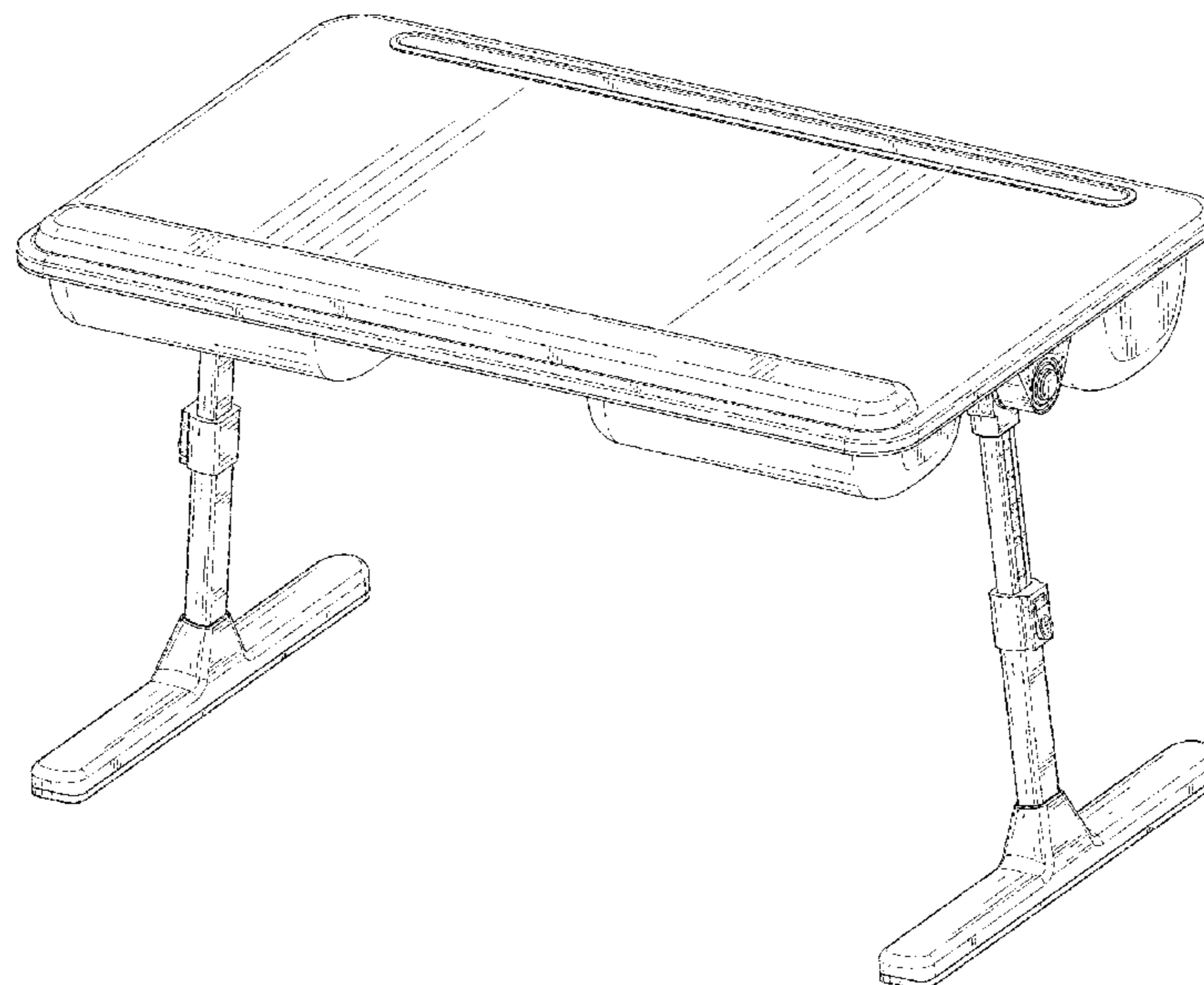
(57) **CLAIM**

The ornamental design for a foldable laptop table, as shown and described.

DESCRIPTION

FIG. 1 is a perspective view of a foldable laptop table showing our new design;
 FIG. 2 is another perspective view thereof;
 FIG. 3 is a front elevational view thereof;
 FIG. 4 is a rear elevational view thereof;
 FIG. 5 is a left side elevational view thereof;
 FIG. 6 is a right side elevational view thereof;
 FIG. 7 is a top plan view thereof;
 FIG. 8 is a bottom plan view thereof; and,
 FIG. 9 is a perspective view of the foldable laptop table where the foldable laptop table is in a folded state.
 The broken lines in the drawings depict portions of the foldable laptop table that form no part of the claimed design.

1 Claim, 9 Drawing Sheets



(56)

References Cited

U.S. PATENT DOCUMENTS

D879,515 S * 3/2020 Goldberg D6/656.16
D887,183 S * 6/2020 Ying D6/656.17
D892,515 S * 8/2020 Wang D6/406.5
D901,946 S * 11/2020 Egger D6/656.17
D909,786 S 2/2021 Wavomba
D916,532 S * 4/2021 Chen D6/656.16
D916,533 S * 4/2021 Huang D6/656.16
D917,935 S * 5/2021 Huang D6/656.17
D920,009 S * 5/2021 Liu D6/656.17
D924,602 S * 7/2021 Wang D6/656.19
D926,498 S * 8/2021 Hu D6/656.16
D931,660 S * 9/2021 Hu D6/656.16
D931,661 S * 9/2021 Hu D6/656.17
D942,188 S * 2/2022 Hu D6/656.17
D947,579 S * 4/2022 Chen D6/656.16
D948,236 S * 4/2022 Wu D6/406.5
D950,986 S * 5/2022 Hu D6/656.16
D957,159 S * 7/2022 Sun D6/656.16
D960,612 S * 8/2022 Iwasaki D6/656.16
2005/0235886 A1 * 10/2005 Koning A47B 3/0818
108/132
2007/0256611 A1 * 11/2007 Huang A47B 3/08
108/116
2011/0247530 A1 * 10/2011 Coffman A47B 9/14
108/116
2017/0251806 A1 * 9/2017 Newman A47B 21/02
2020/0275772 A1 * 9/2020 Goldberg A47B 3/0815
2020/0337453 A1 * 10/2020 Wang A47B 21/04

* cited by examiner



FIG. 1

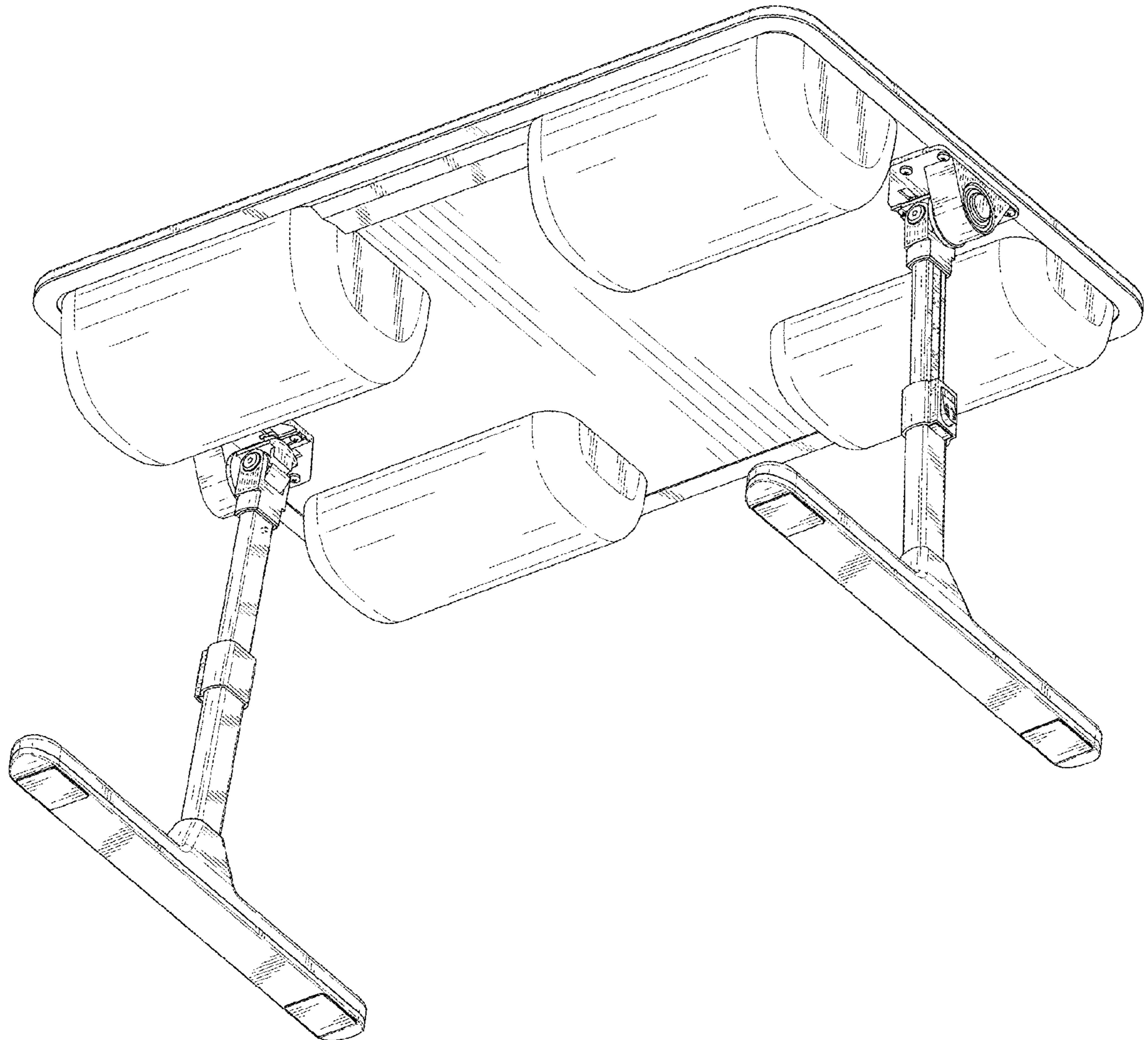


FIG. 2

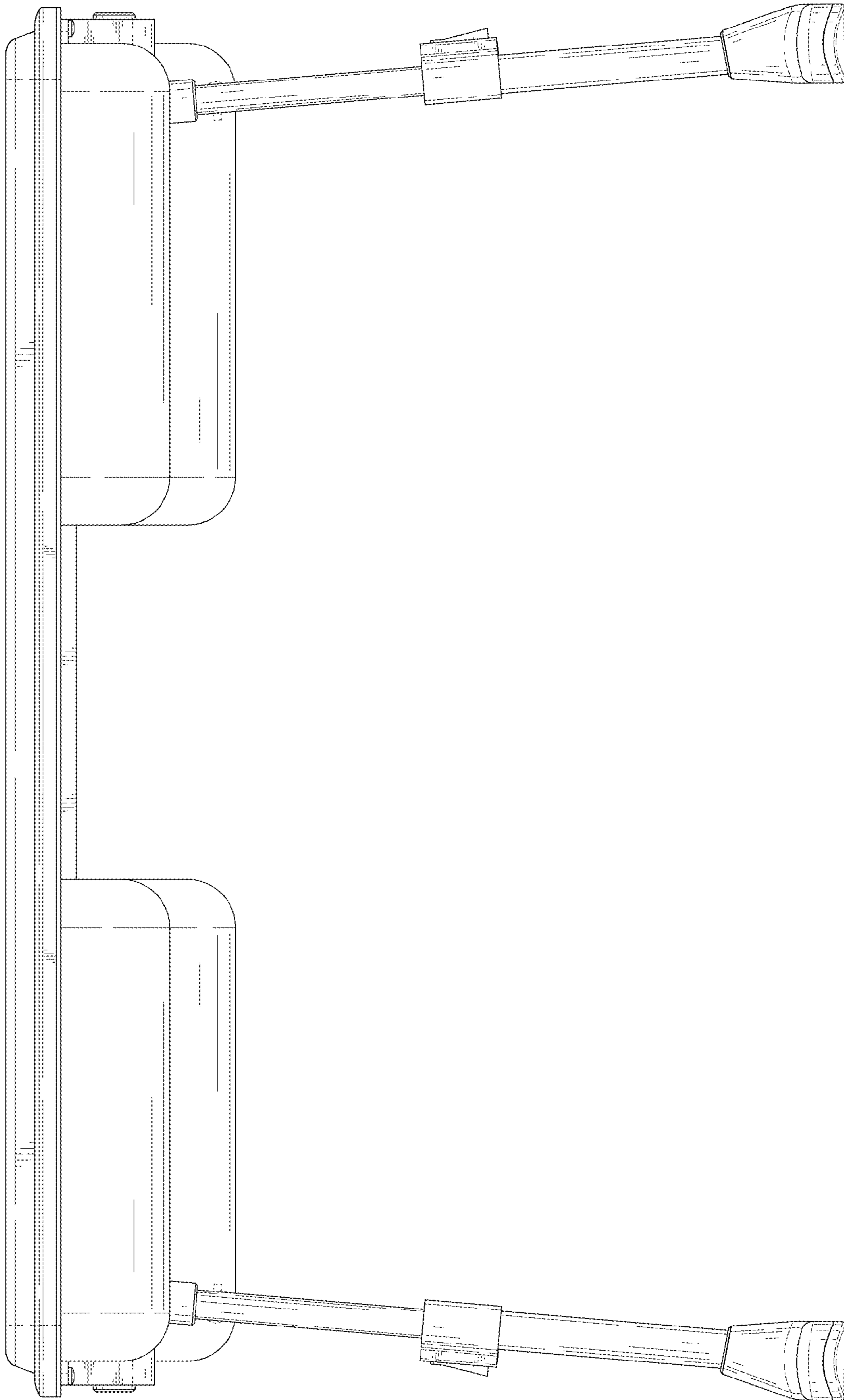


FIG. 3

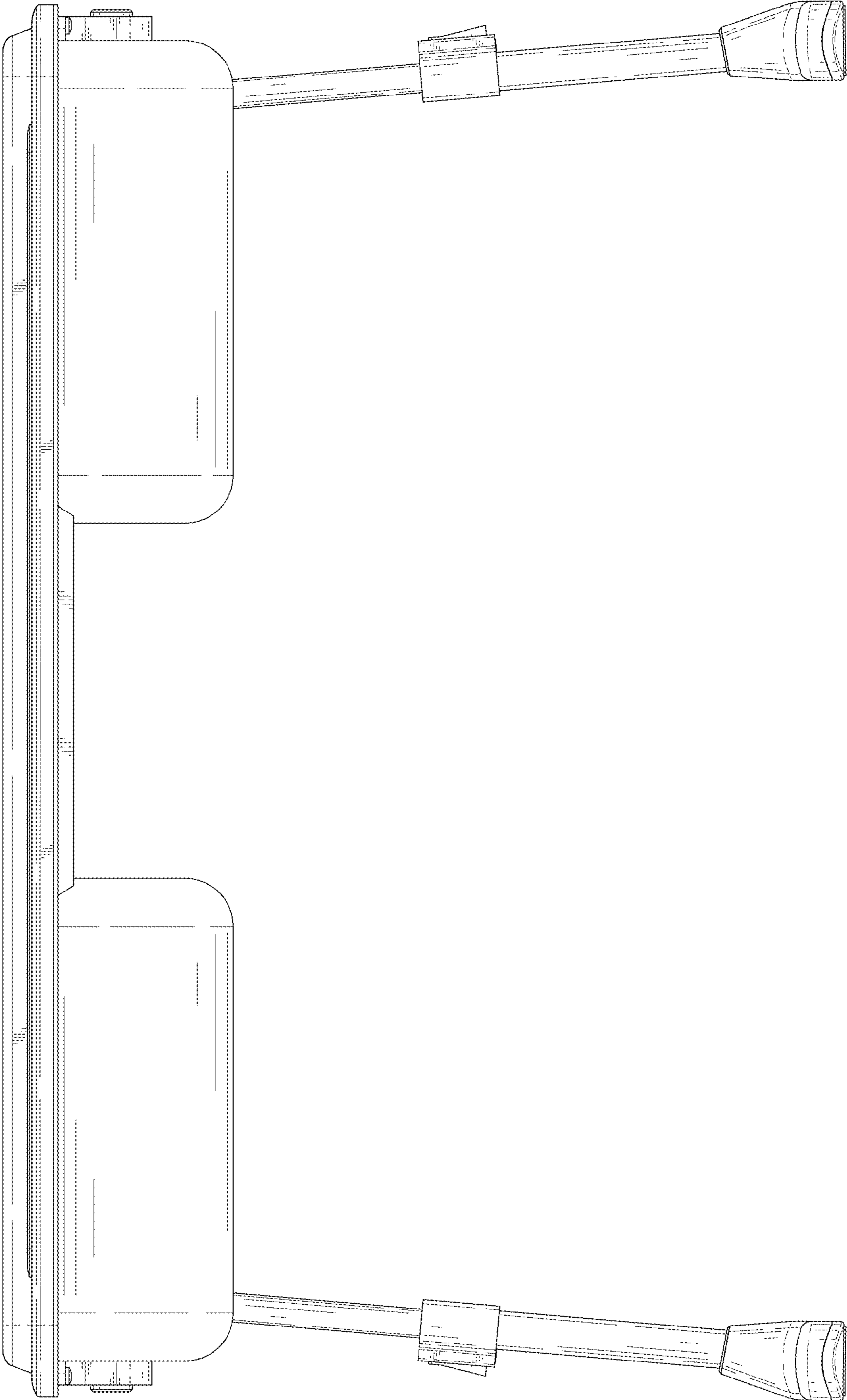


FIG. 4

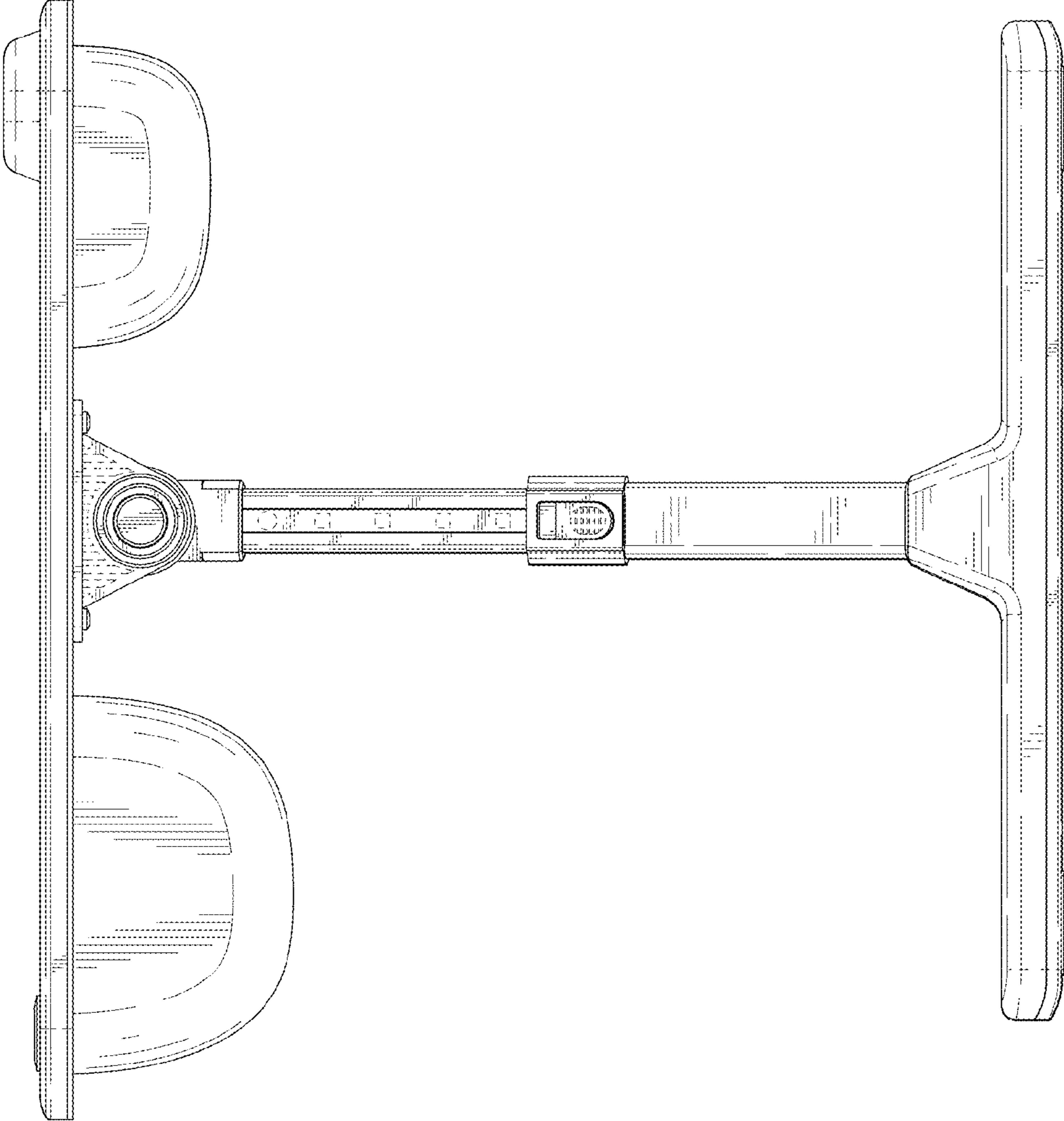


FIG. 5

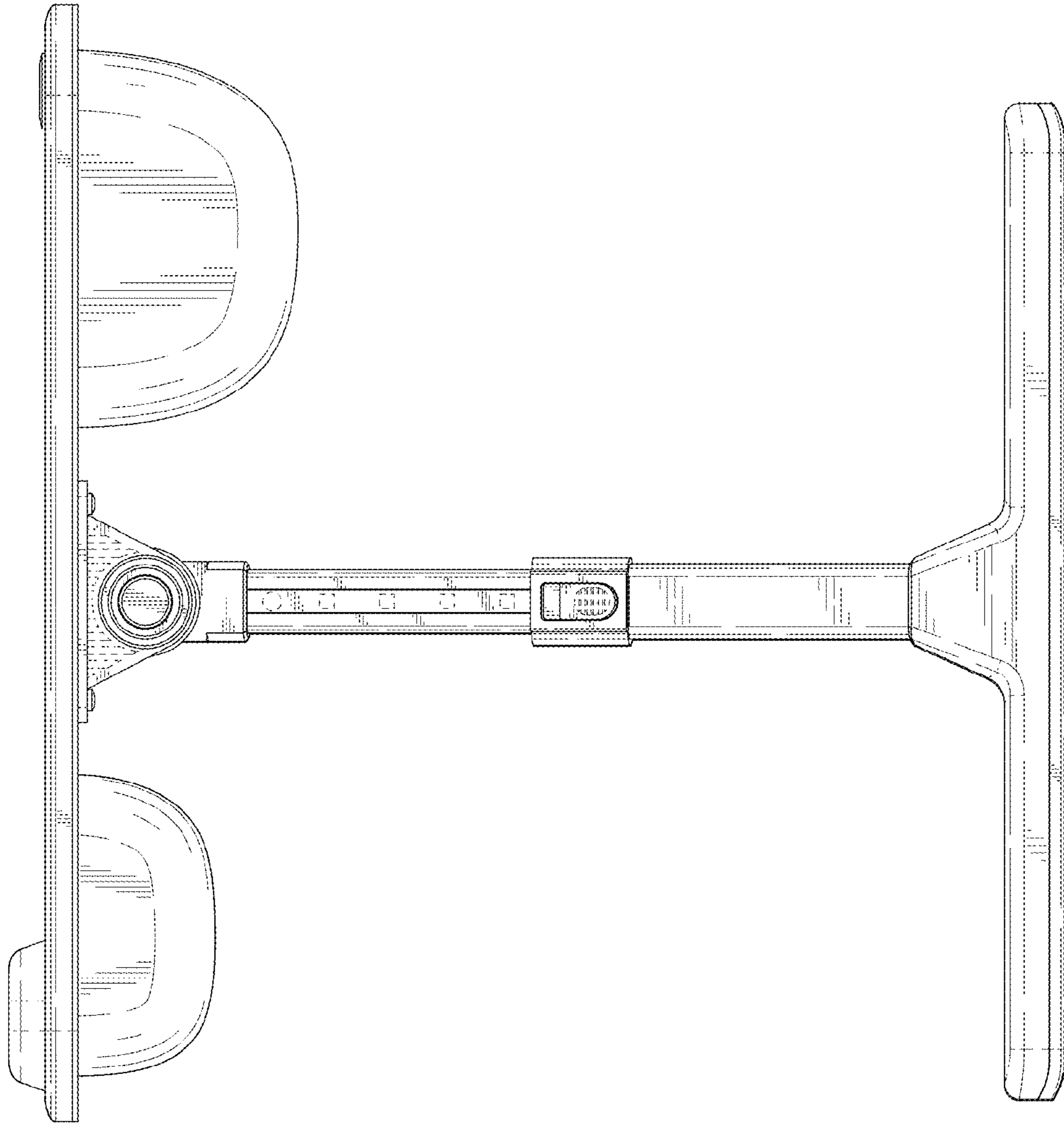


FIG. 6

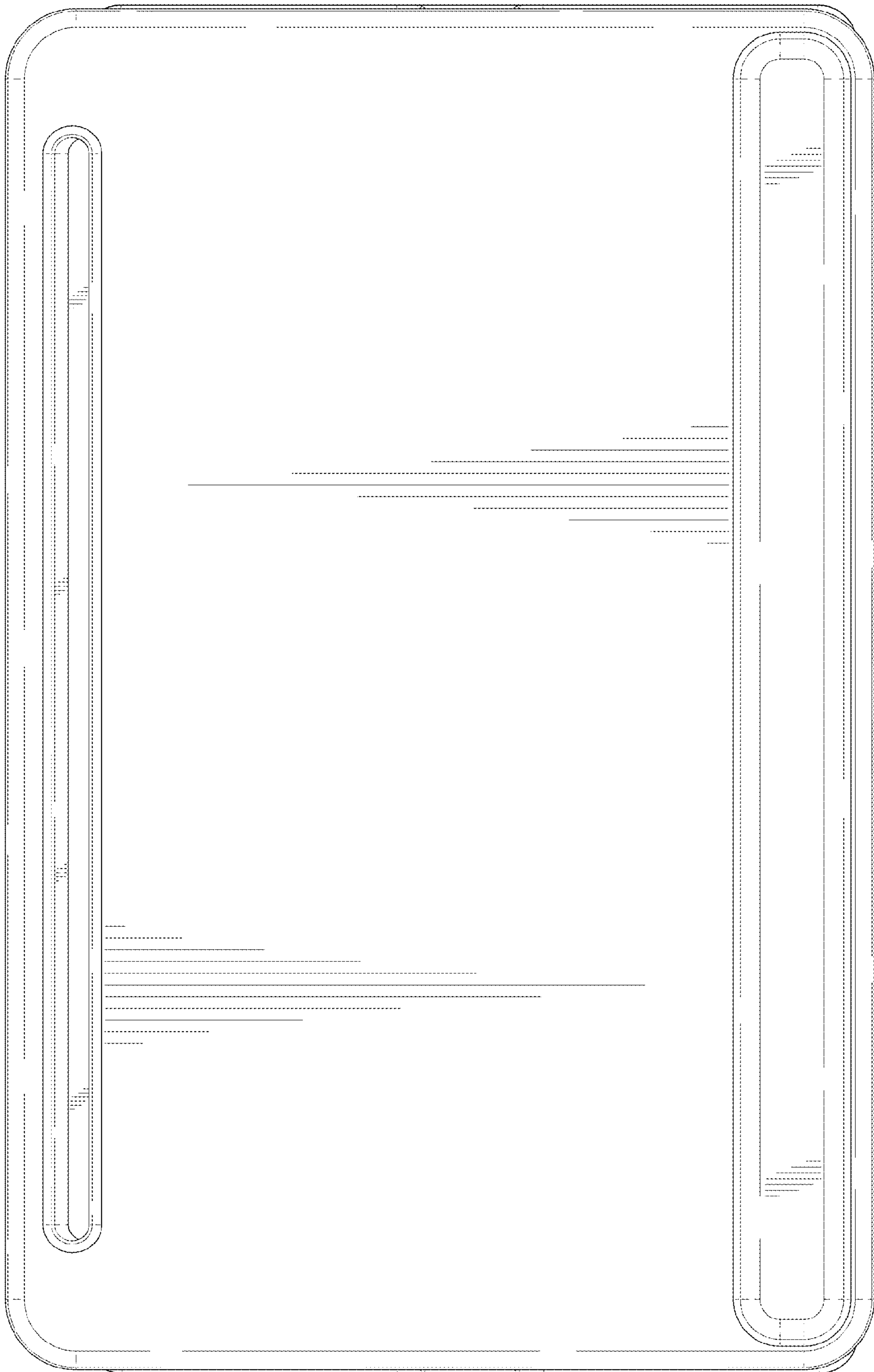


FIG. 7

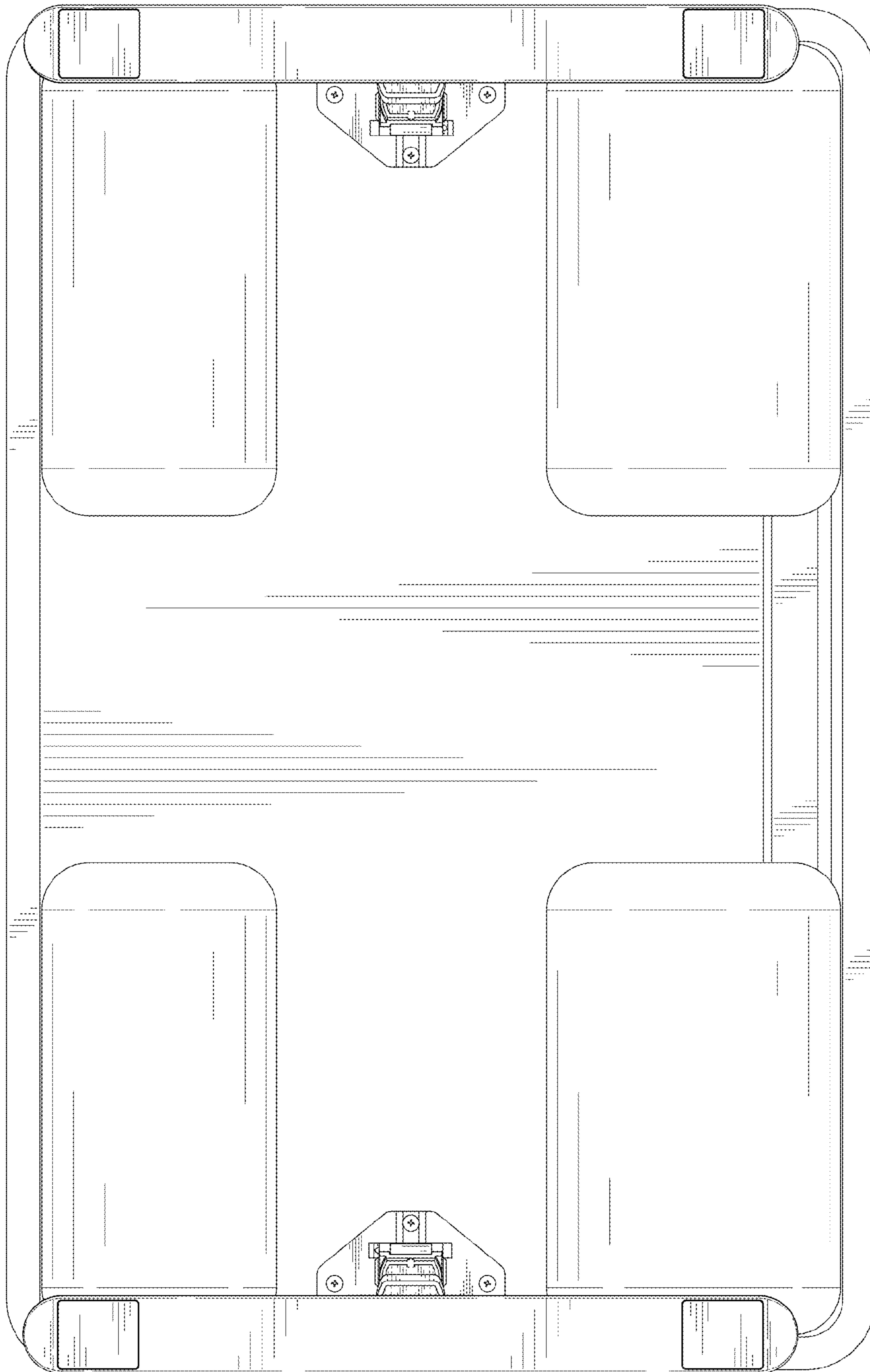


FIG. 8

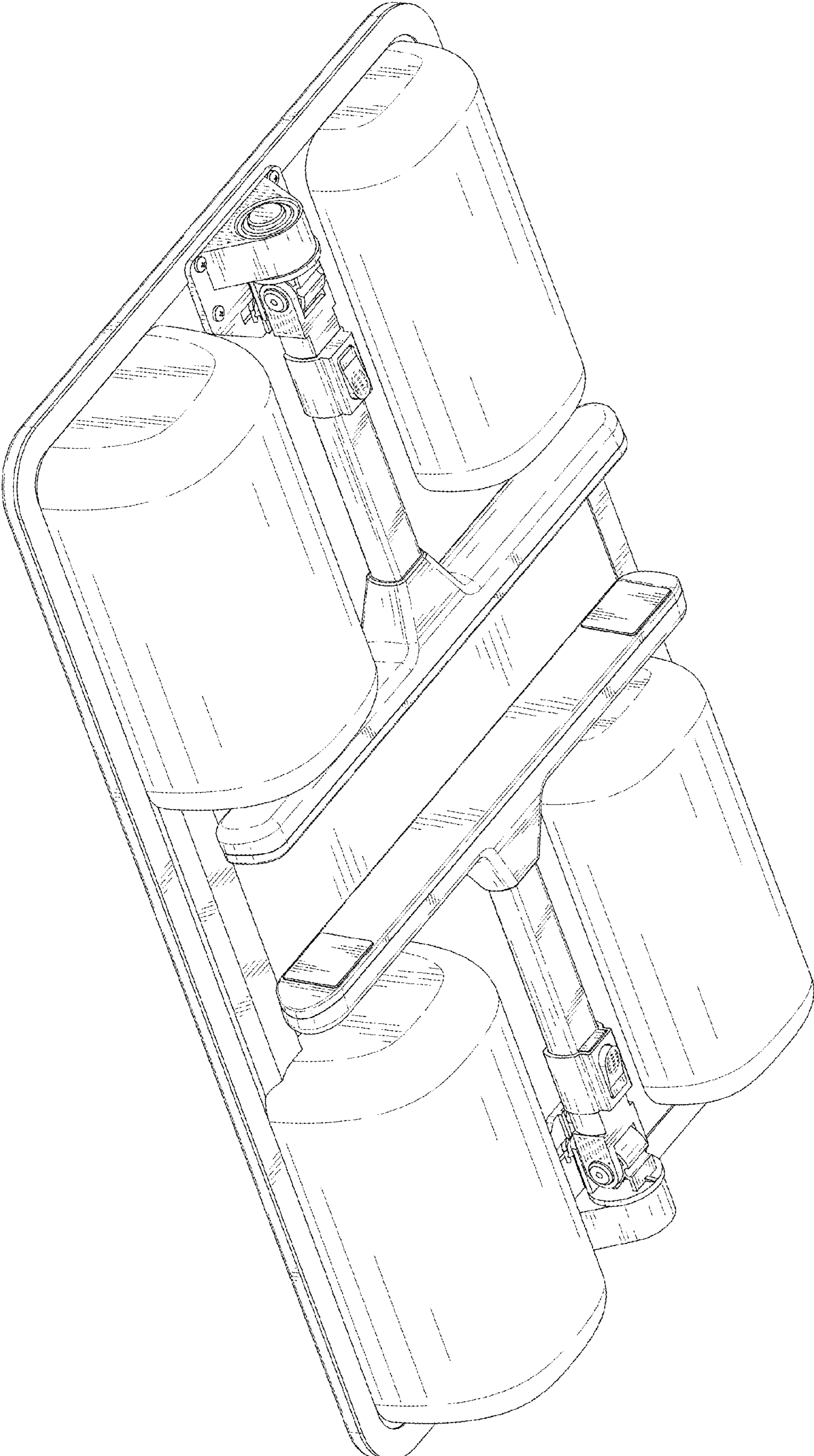


FIG. 9