



US00D974063S

(12) **United States Design Patent**
Ranco

(10) **Patent No.:** **US D974,063 S**
(45) **Date of Patent:** **** Jan. 3, 2023**

- (54) **DECK CHAIR**
- (71) Applicant: **PLAST-MECCANICA SOCIETA' PER AZIONI**, Castelbellino (IT)
- (72) Inventor: **Giuseppe Sandro Ranco**, Maiolati Spontini (IT)
- (**) Term: **15 Years**
- (21) Appl. No.: **29/755,091**
- (22) Filed: **Oct. 16, 2020**
- (51) **LOC (14) Cl.** **06-01**
- (52) **U.S. Cl.**
USPC **D6/361**
- (58) **Field of Classification Search**
USPC D6/360, 361, 367, 368, 369, 370, 382
CPC .. A47C 1/02; A47C 1/028; A47C 1/14; A47C 3/143; A47C 4/04; A47C 4/08; A47C 4/18; A47C 5/02
See application file for complete search history.

- D823,014 S * 7/2018 Guggenbichler A47C 3/04 D6/361
- D825,944 S * 8/2018 Vermeulen D6/361
- D845,657 S * 4/2019 Balliu Falgueras D6/361
- D939,229 S * 12/2021 Shemer D6/361

* cited by examiner

Primary Examiner — R. Johnson

(74) *Attorney, Agent, or Firm* — Egbert, McDaniel & Swartz, PLLC

(57) **CLAIM**

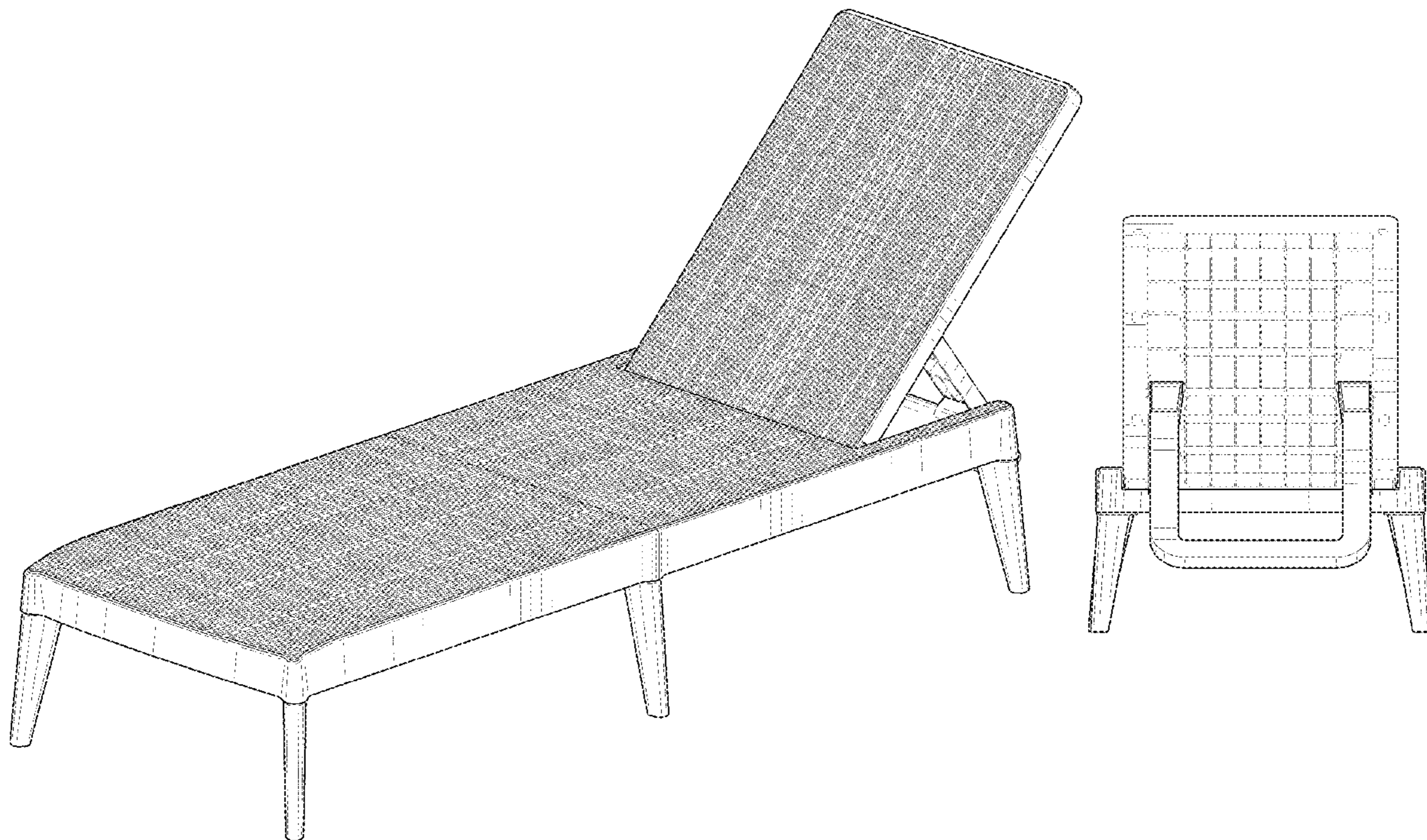
The ornamental design for a deck chair, as shown and described.

DESCRIPTION

FIG. 1 is a perspective view of a deck chair showing my new design.
 FIG. 2 is a front view thereof;
 FIG. 3 is an enlarged, partial view illustrating a surface of the deck chair;
 FIG. 4 is a rear view thereof;
 FIG. 5 is a side view thereof;
 FIG. 6 is an opposite side view thereof;
 FIG. 7 is a top view thereof;
 FIG. 8 an enlarged, partial view illustrating a surface of the deck chair; and,
 FIG. 9 is a bottom view thereof.
 The features presented in broken lines illustrate portions of the deck chair that form no part of the claimed design.

1 Claim, 5 Drawing Sheets

- (56) **References Cited**
U.S. PATENT DOCUMENTS
- D344,415 S * 2/1994 Gibbs D6/361
- D405,967 S * 2/1999 Lewis D6/369
- D418,684 S * 1/2000 van Rhienen D6/369
- D515,324 S * 2/2006 Grosfillex D6/361
- D517,333 S * 3/2006 Grosfillex D6/361
- D531,828 S * 11/2006 Frinier D6/369
- D545,581 S * 7/2007 Gower D6/361
- D707,049 S * 6/2014 Asner D6/361
- D802,313 S * 11/2017 Bernardi D6/361



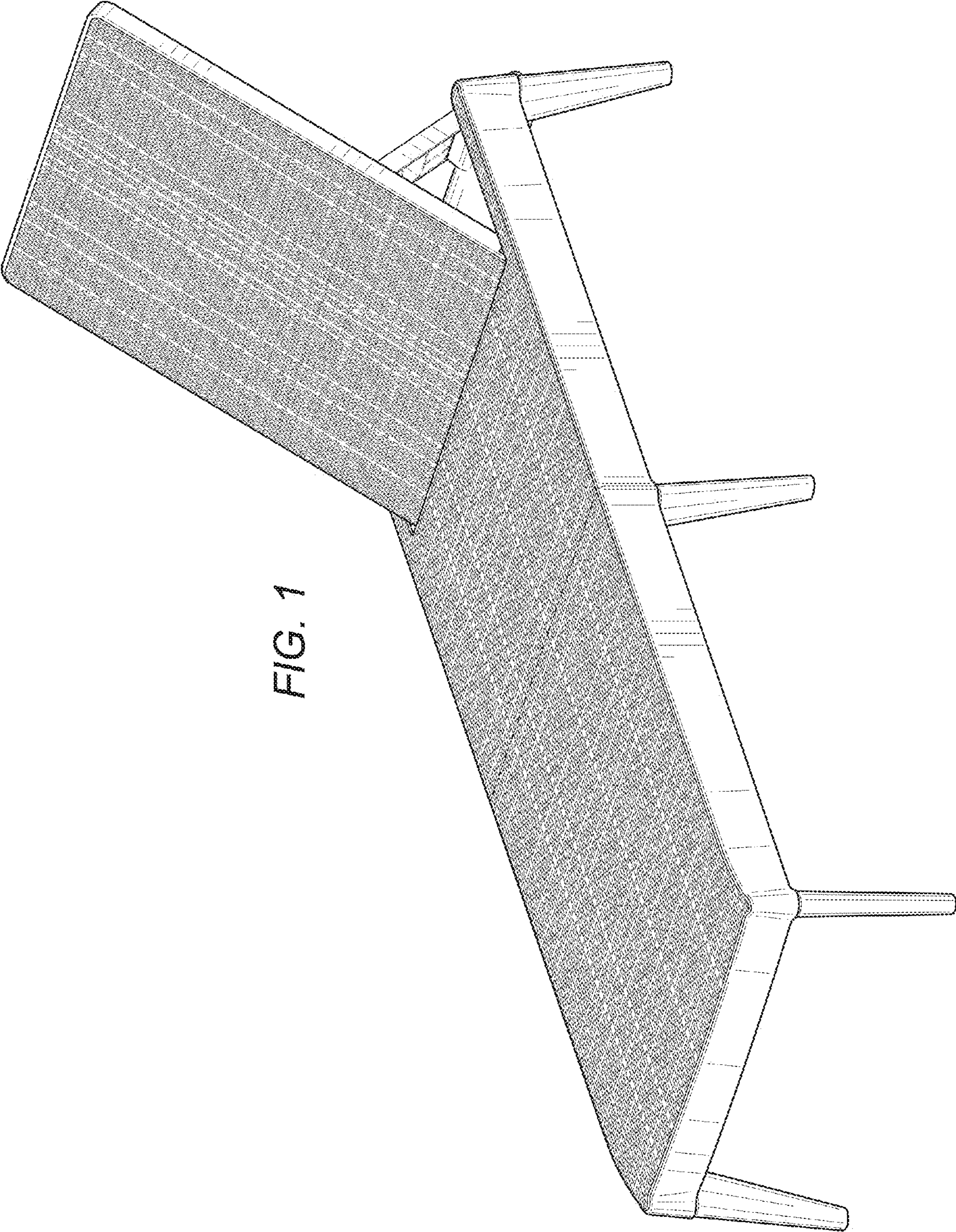


FIG. 1

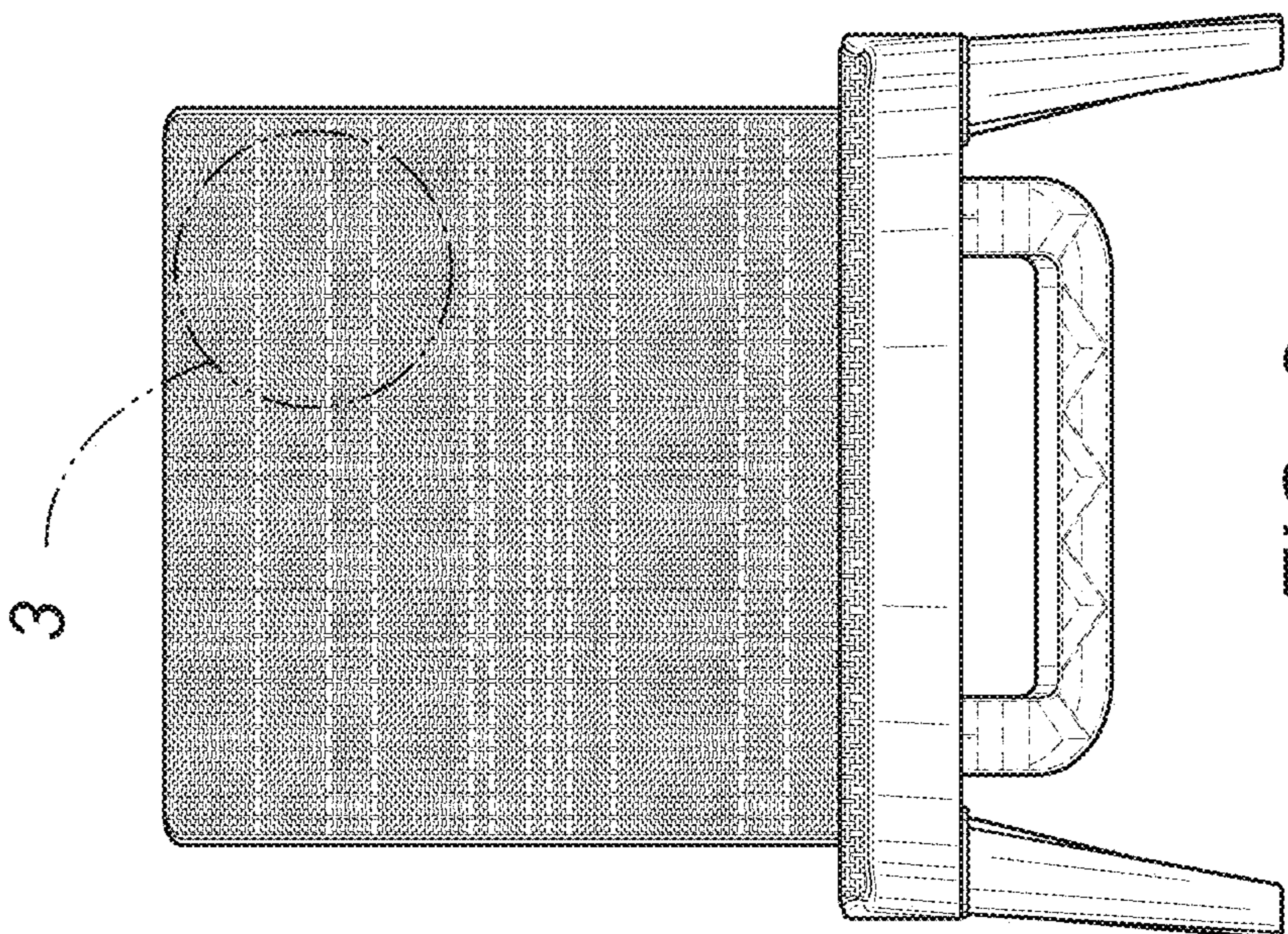


FIG. 2

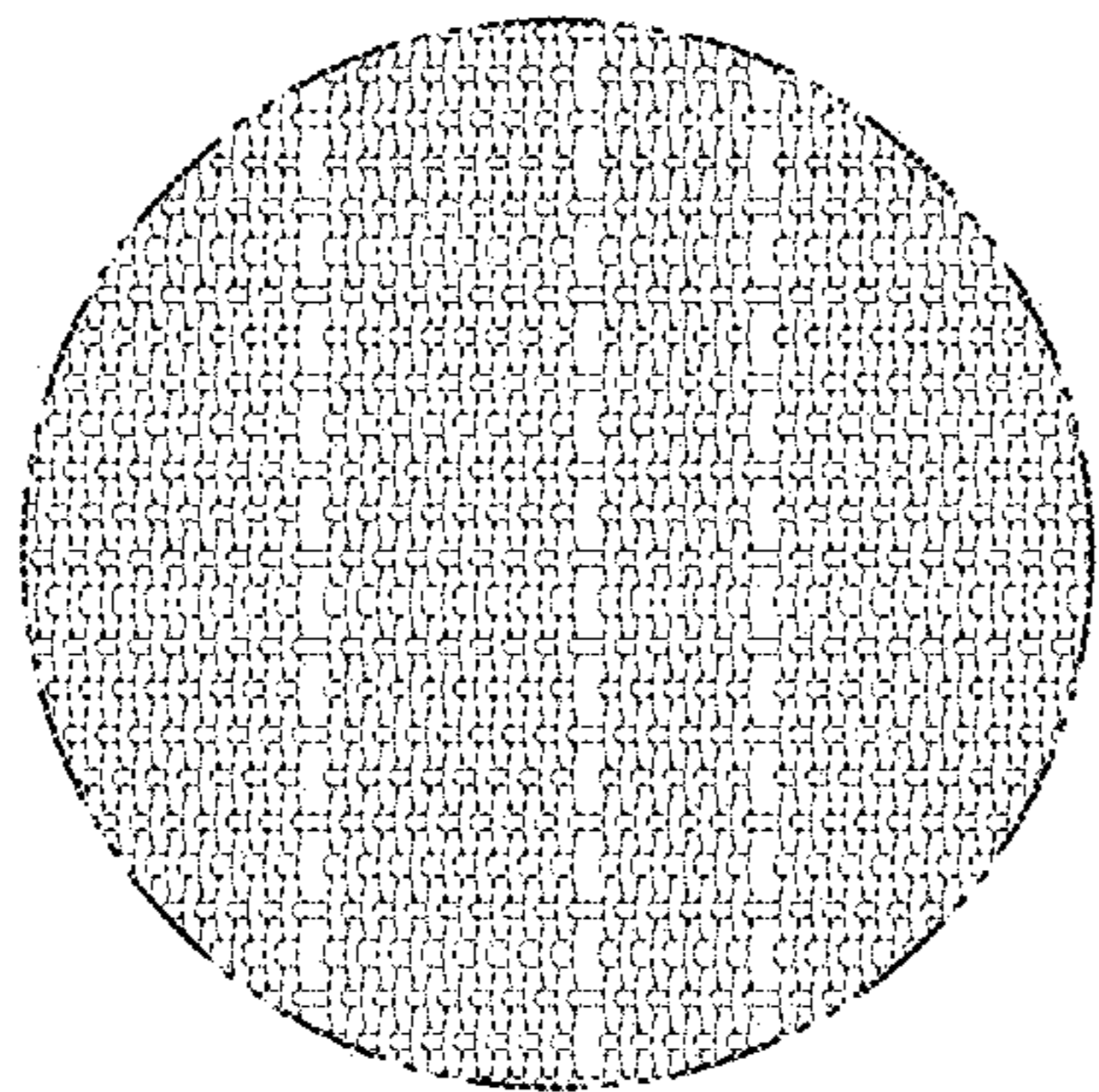


FIG. 3

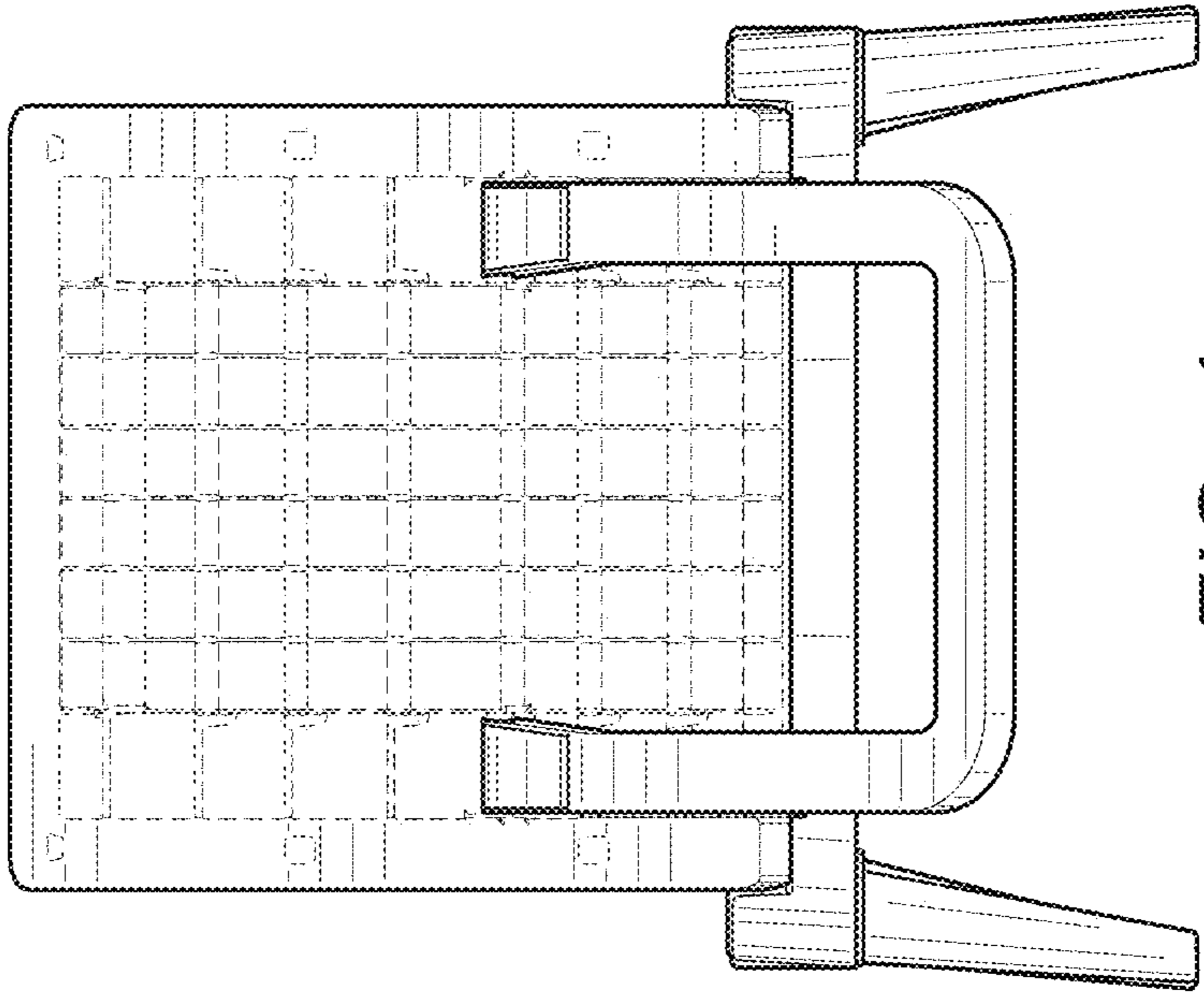


FIG. 4

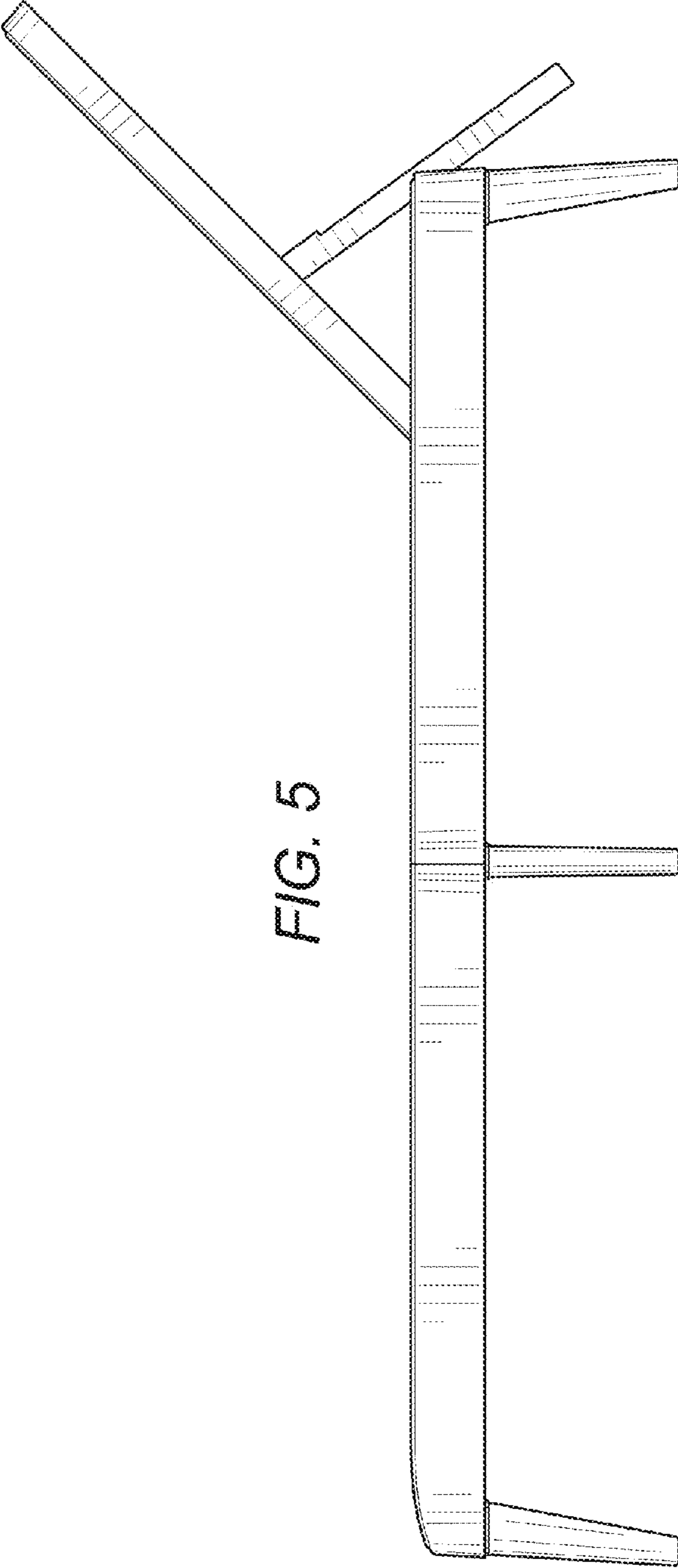


FIG. 5

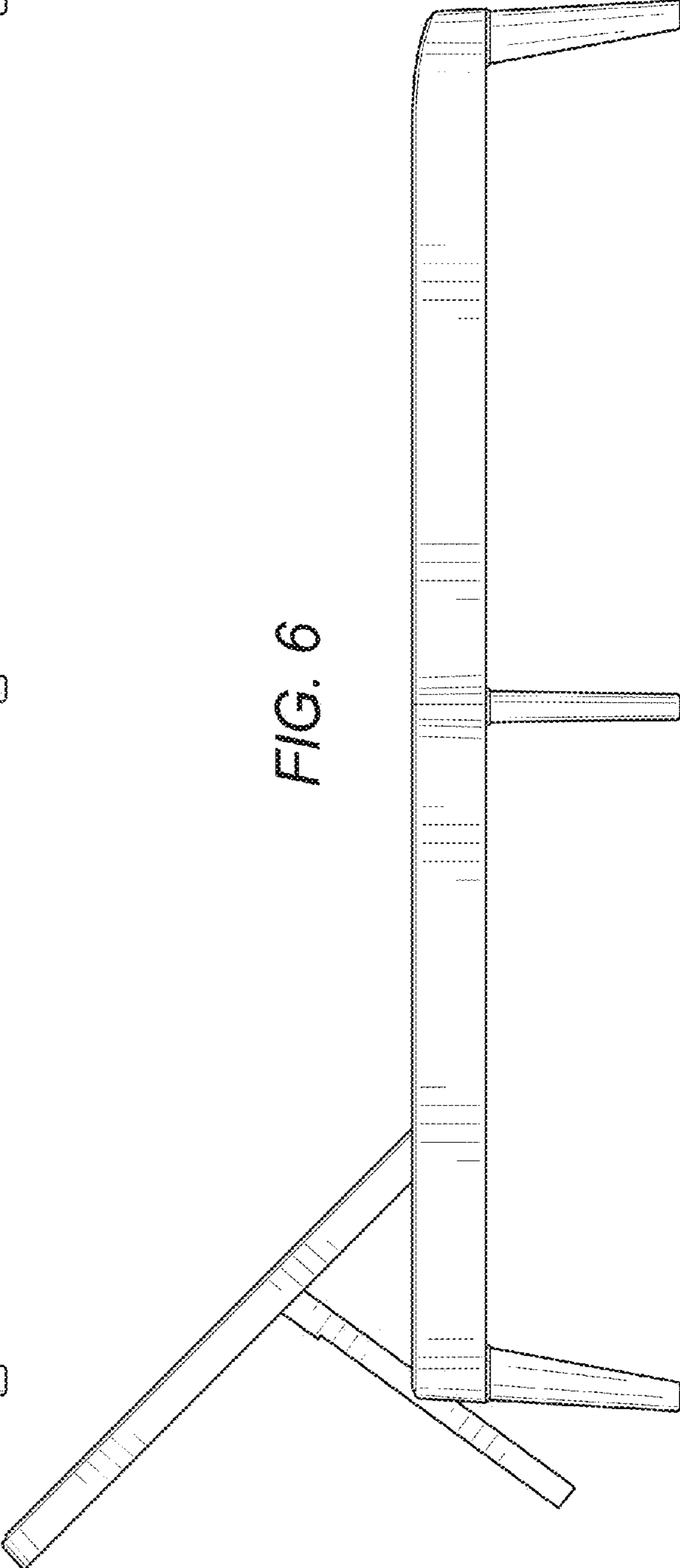


FIG. 6

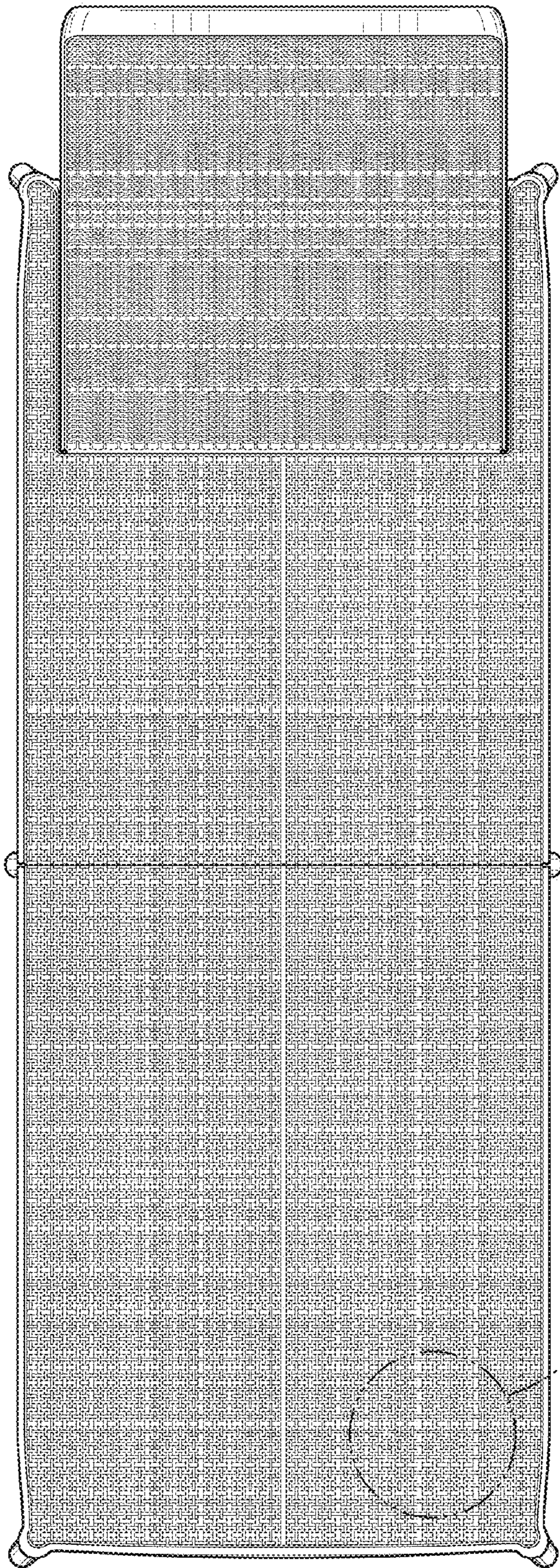


FIG. 7

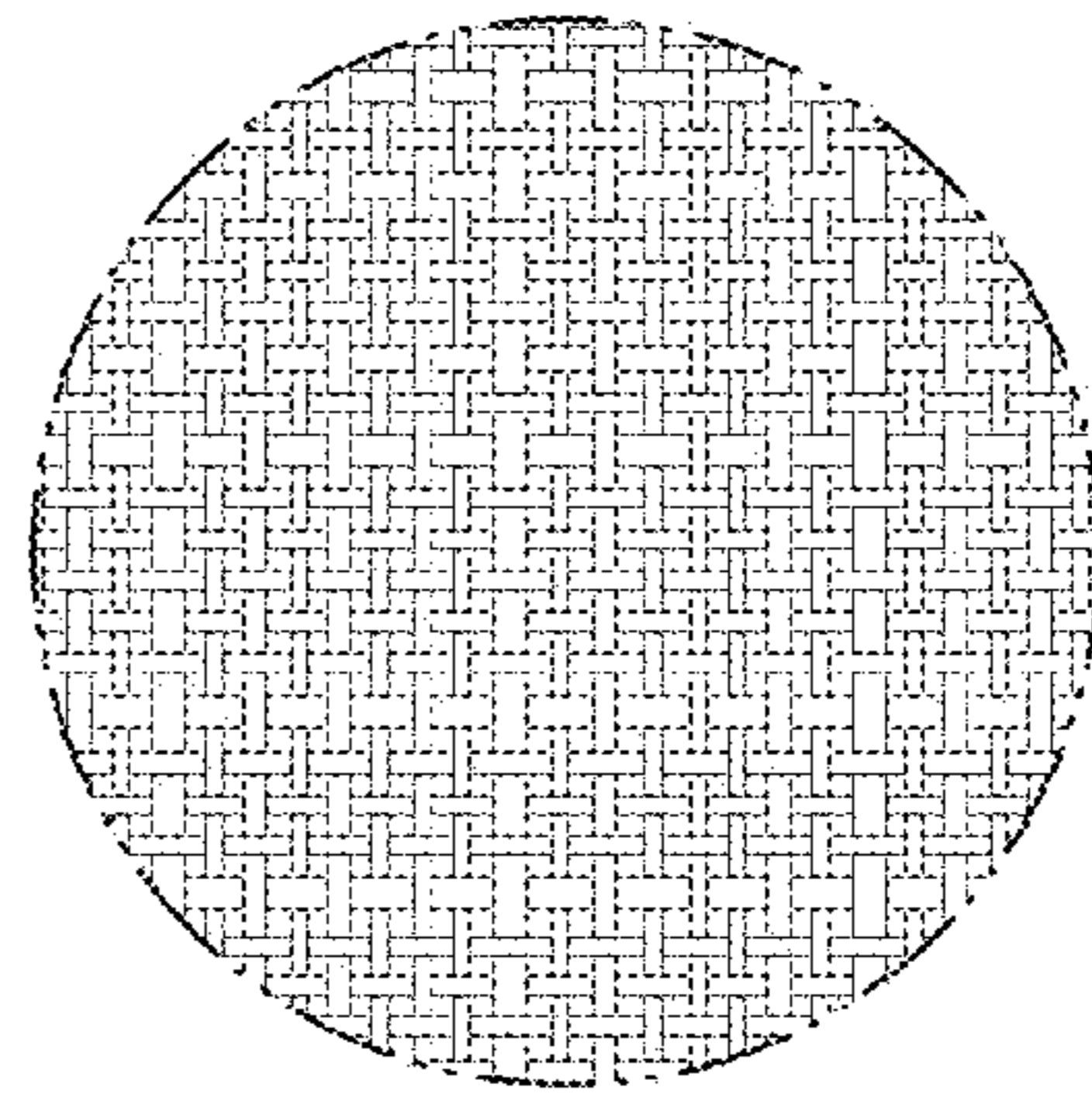


FIG. 8

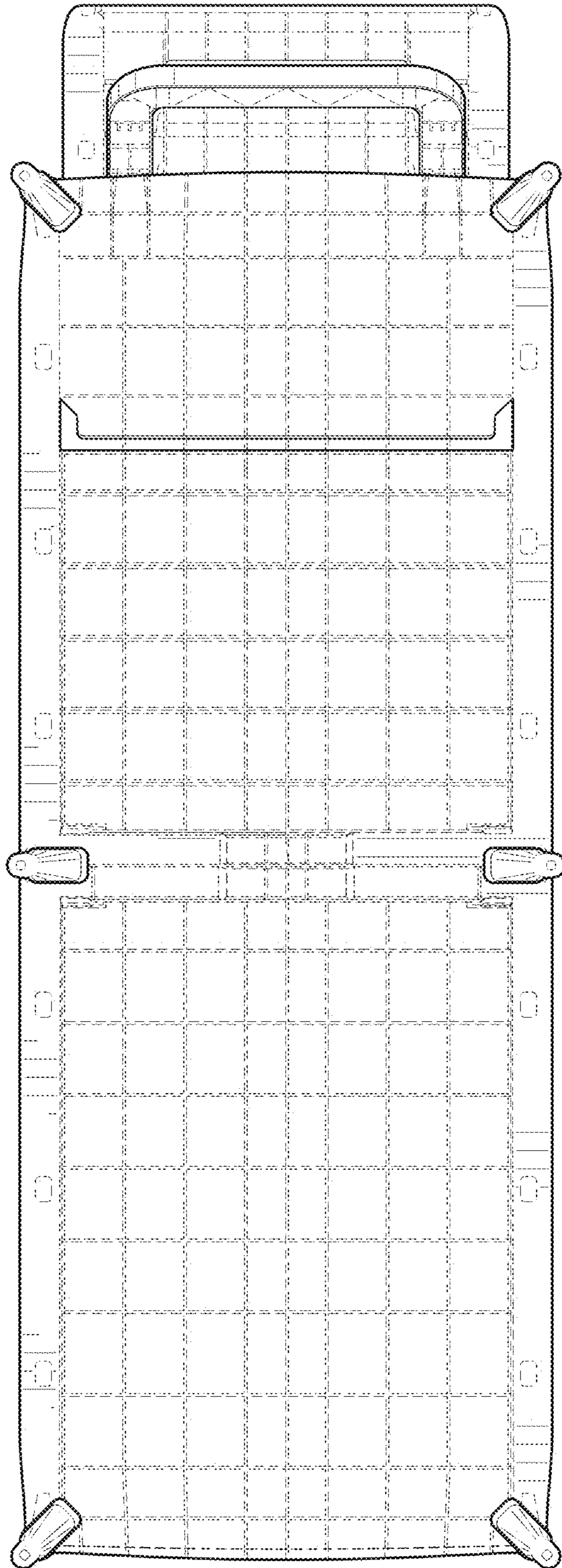


FIG. 9