



US00D974061S

(12) **United States Design Patent** (10) **Patent No.:** **US D974,061 S**  
**Kentley-Klay et al.** (45) **Date of Patent:** **\*\* Jan. 3, 2023**

(54) **VEHICLE SEAT**  
(71) Applicant: **Zoox, Inc.**, Foster City, CA (US)  
(72) Inventors: **Timothy David Kentley-Klay**, Stanford, CA (US); **Nahuel Elias Battaglia**, Stanford, CA (US); **Herman Francisco Delos Santos**, Redwood City, CA (US); **Richard Luke Osellame**, Redwood City, CA (US); **Christopher John Stoffel**, San Carlos, CA (US)

4,600,241 A \* 7/1986 Fujii ..... A47C 9/06  
297/452.19  
D331,896 S \* 12/1992 Pickering ..... D12/221  
5,464,273 A \* 11/1995 Makoto ..... B60N 2/242  
297/232  
D591,520 S \* 5/2009 Orson ..... D6/356  
7,611,184 B1 \* 11/2009 Bisson ..... B60R 5/006  
296/37.15  
D630,987 S \* 1/2011 Edwards ..... D12/195  
D686,423 S \* 7/2013 Salzberger ..... D6/356  
D695,033 S \* 12/2013 Salzberger ..... D6/356  
(Continued)

(73) Assignee: **Zoox, Inc.**, Foster City, CA (US)  
(\*\*) Term: **15 Years**  
(21) Appl. No.: **29/655,128**  
(22) Filed: **Jun. 29, 2018**  
(51) **LOC (14) Cl.** ..... **06-01**  
(52) **U.S. Cl.**  
USPC ..... **D6/356**  
(58) **Field of Classification Search**  
USPC ..... D6/334, 335, 349, 353, 354, 356, 360,  
D6/361, 362, 364, 365, 366, 371, 374,  
D6/375, 377, 379, 380, 381  
CPC .... A47C 4/02; A47C 4/04; A47C 4/52; A47C  
11/00; A47C 15/002; A47C 1/03; A47C  
7/002  
See application file for complete search history.

**OTHER PUBLICATIONS**

Amazon Zoox, Dec. 14, 2020, found on Jul. 22, 2021 at <https://electrek.co/2020/12/14/amazons-zoox-unveils-autonomous-electric-vehicle-battery-pack/> (Year: 2020).\*  
(Continued)

*Primary Examiner* — Karen S Acker  
(74) *Attorney, Agent, or Firm* — Lee & Hayes, P.C.

(57) **CLAIM**

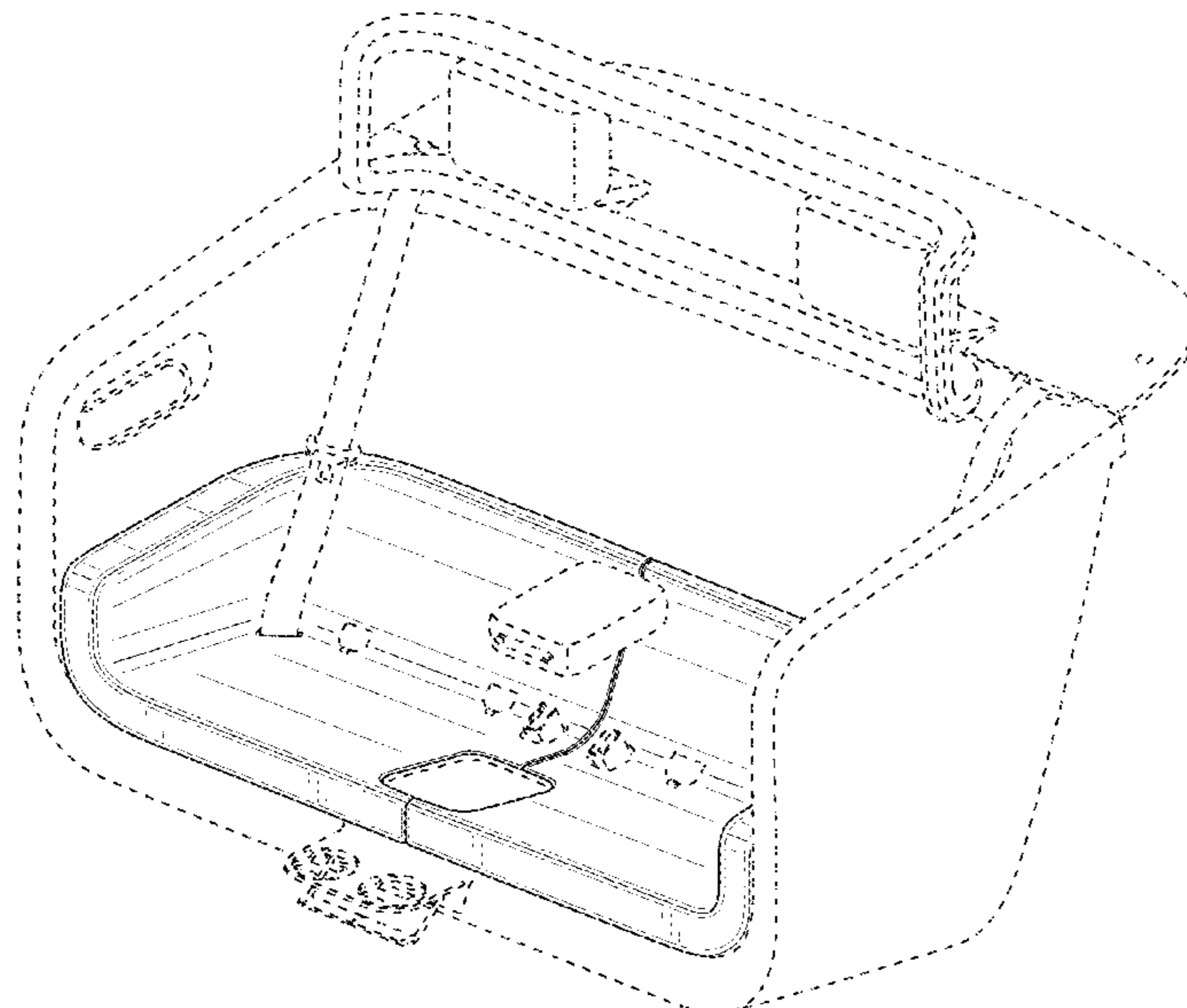
The ornamental design for a vehicle seat, as shown and described.

**DESCRIPTION**

FIG. 1 is a top perspective view of a vehicle seat;  
FIG. 2 is a bottom perspective view thereof;  
FIG. 3 is a front view thereof;  
FIG. 4 is a back view thereof;  
FIG. 5 is a right-side view thereof;  
FIG. 6 is a left-side view thereof;  
FIG. 7 is a top view thereof; and,  
FIG. 8 is a bottom view thereof.  
The broken lines and unshaded areas within the broken lines and the unshaded areas adjacent to continuous solid lines depict portions of the vehicle seat that form no part of the claimed design.

**1 Claim, 8 Drawing Sheets**

(56) **References Cited**  
U.S. PATENT DOCUMENTS  
D182,063 S \* 2/1958 Dean ..... D6/356  
3,625,565 A \* 12/1971 Barecki ..... B60N 2/242  
297/350  
3,737,198 A \* 6/1973 Barecki ..... B61D 33/00  
297/450.1  
3,944,283 A \* 3/1976 Molzon ..... B60N 2/242  
297/452.39



(56)

**References Cited**

U.S. PATENT DOCUMENTS

D744,935	S	*	12/2015	Ahn	.....	B60N 2/853
						D12/425
D770,349	S	*	11/2016	Ahn	.....	A47B 31/06
						D12/195
D846,901	S	*	4/2019	Jelec	.....	D6/356
D891,133	S	*	7/2020	Klein	.....	D6/356
10,875,435	B1	*	12/2020	Battaglia	.....	B60N 2/853
D917,907	S	*	5/2021	Mignot	.....	B60N 2/242
						D6/356
D924,583	S	*	7/2021	Kang	.....	A47C 9/06
						D6/356
D936,981	S	*	11/2021	Kentley-Klay	.....	B61D 33/00
						D6/356
2008/0271645	A1	*	11/2008	Swales	.....	A47B 31/06
						108/44
2020/0391629	A1	*	12/2020	Jost	.....	B60N 2/646

OTHER PUBLICATIONS

Stir World, Anmol Ahuja, Dec. 23, 2020, found on Jul. 22, 2021 at <https://www.stirworld.com/see-features-the-zoox-robotaxi-is-a-fully-autonomous-electric-vehicle-built-for-the-urban-rider2> (Year: 2020).\*

The Chinese Office Action dated Feb. 19, 2020 for Chinese Patent Application No. 201830771115.X, a counterpart of U.S. Appl. No. 29/655,128, 2 pages.

\* cited by examiner

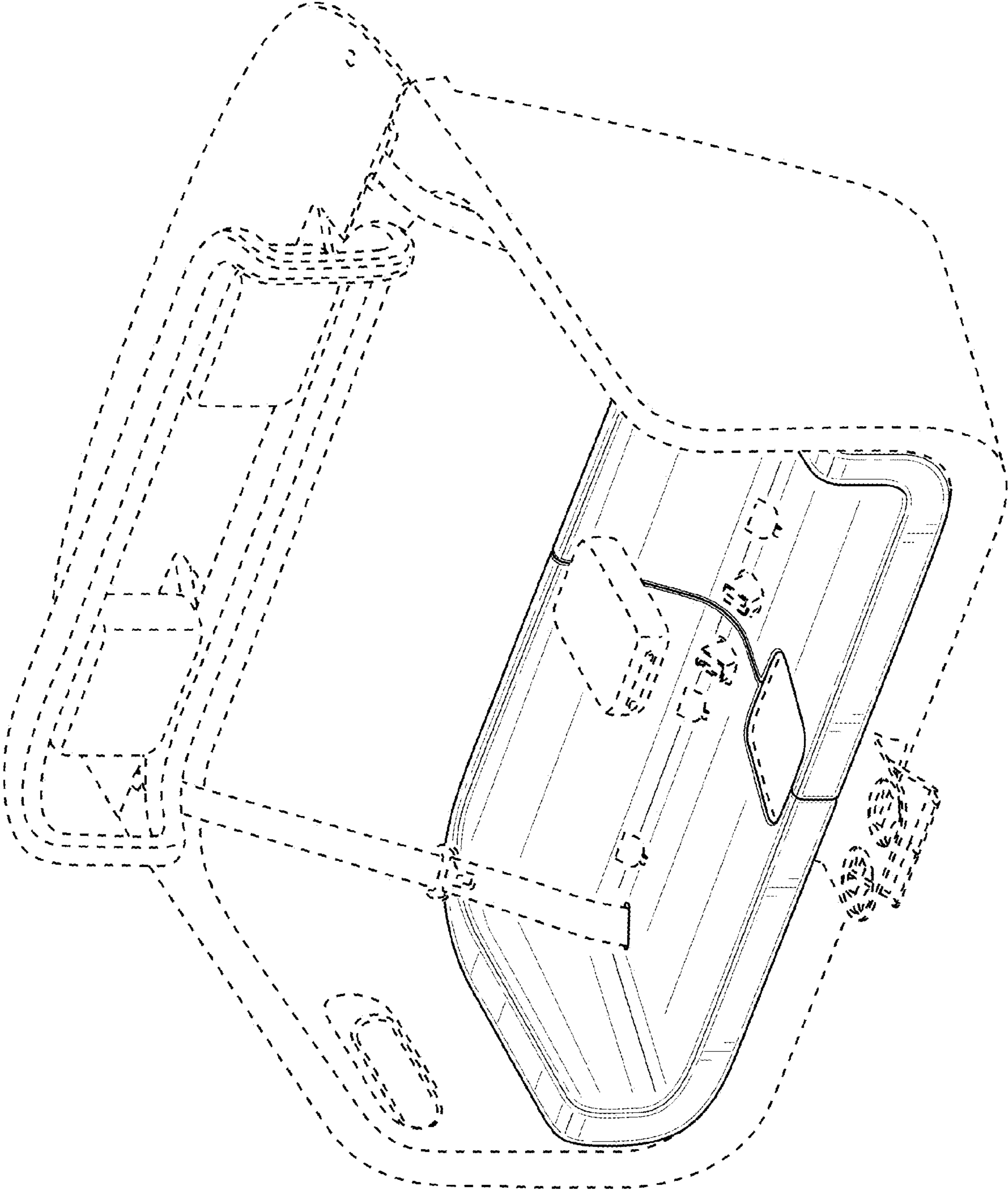


FIG. 1

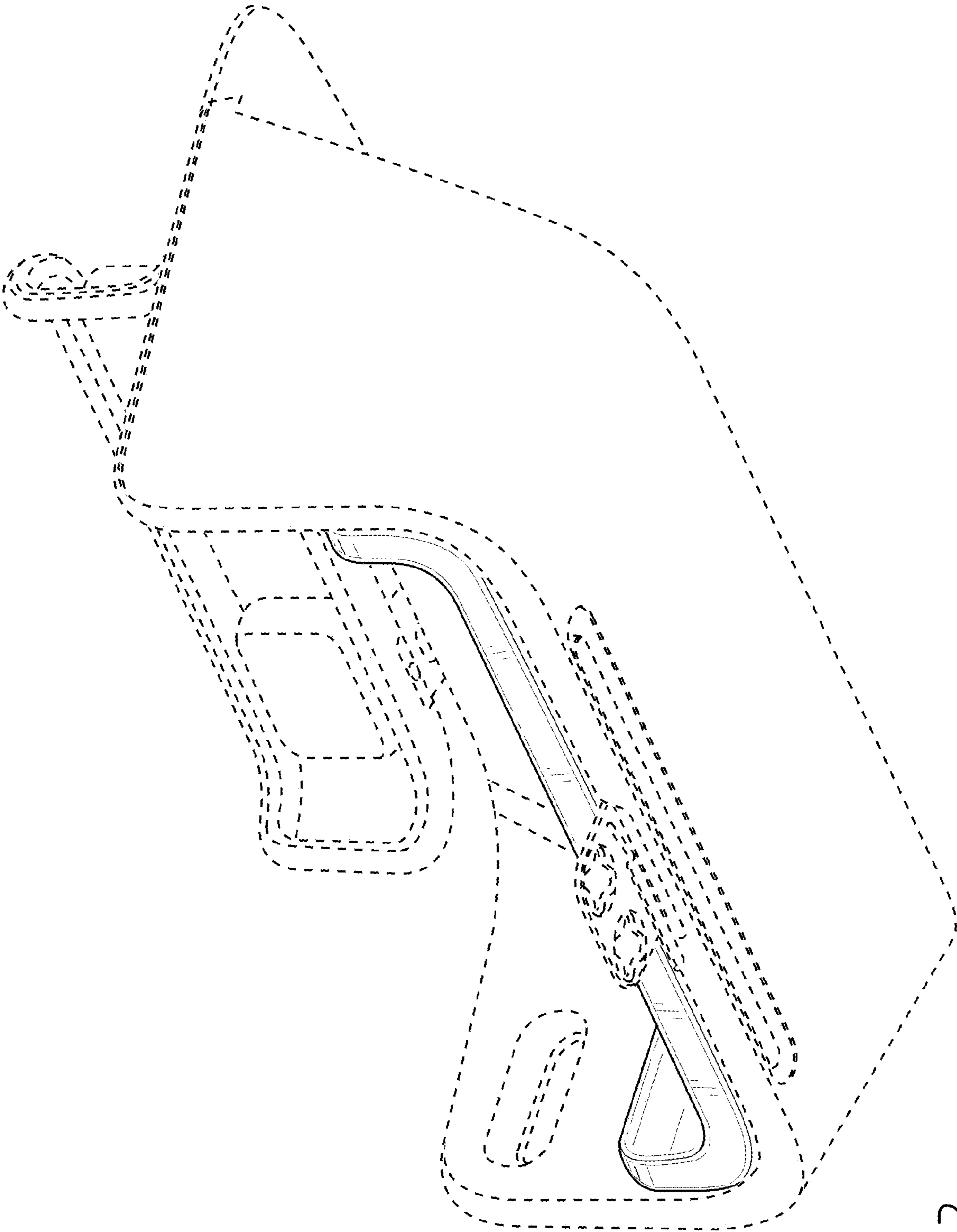


FIG. 2

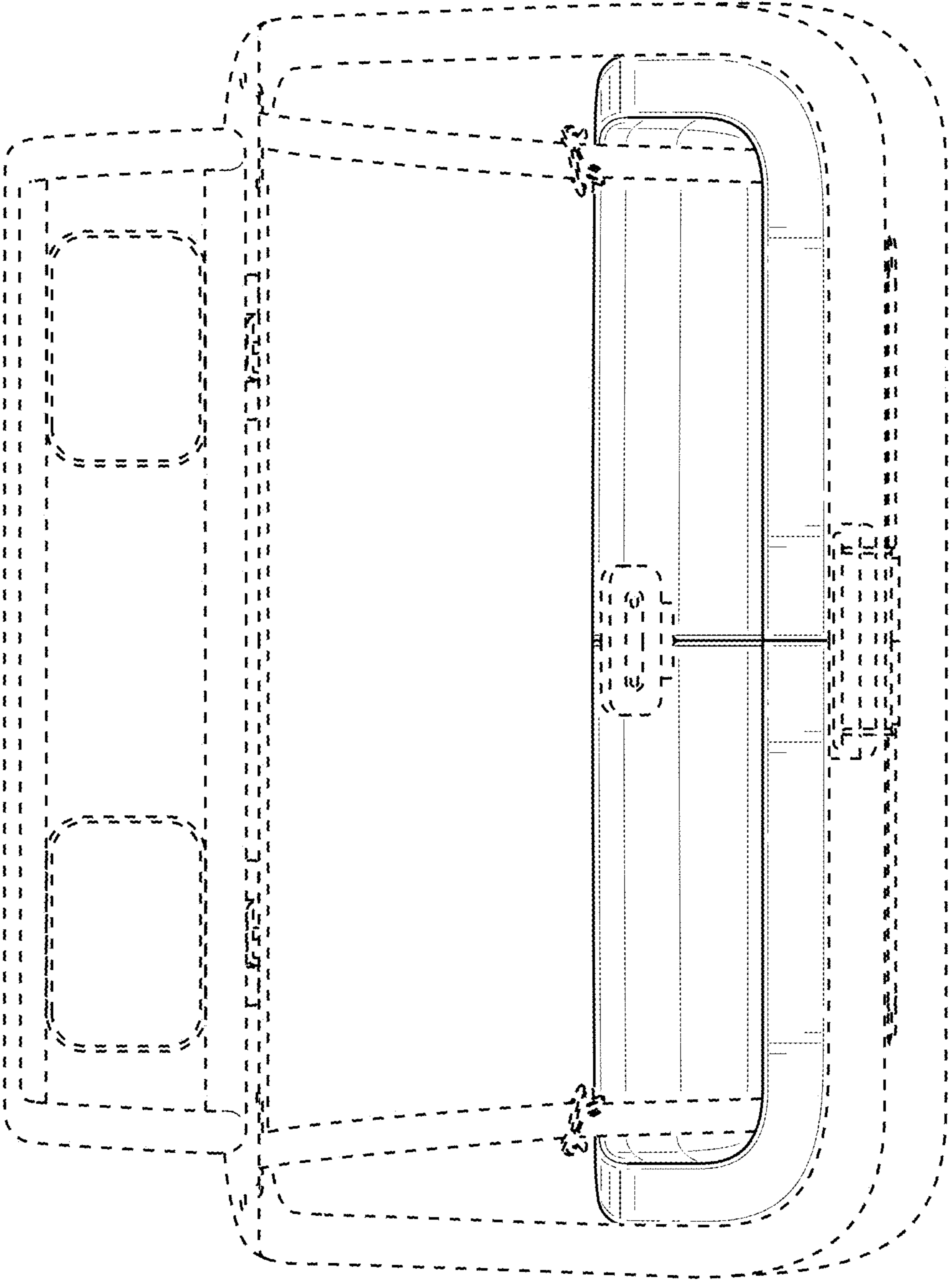


FIG. 3

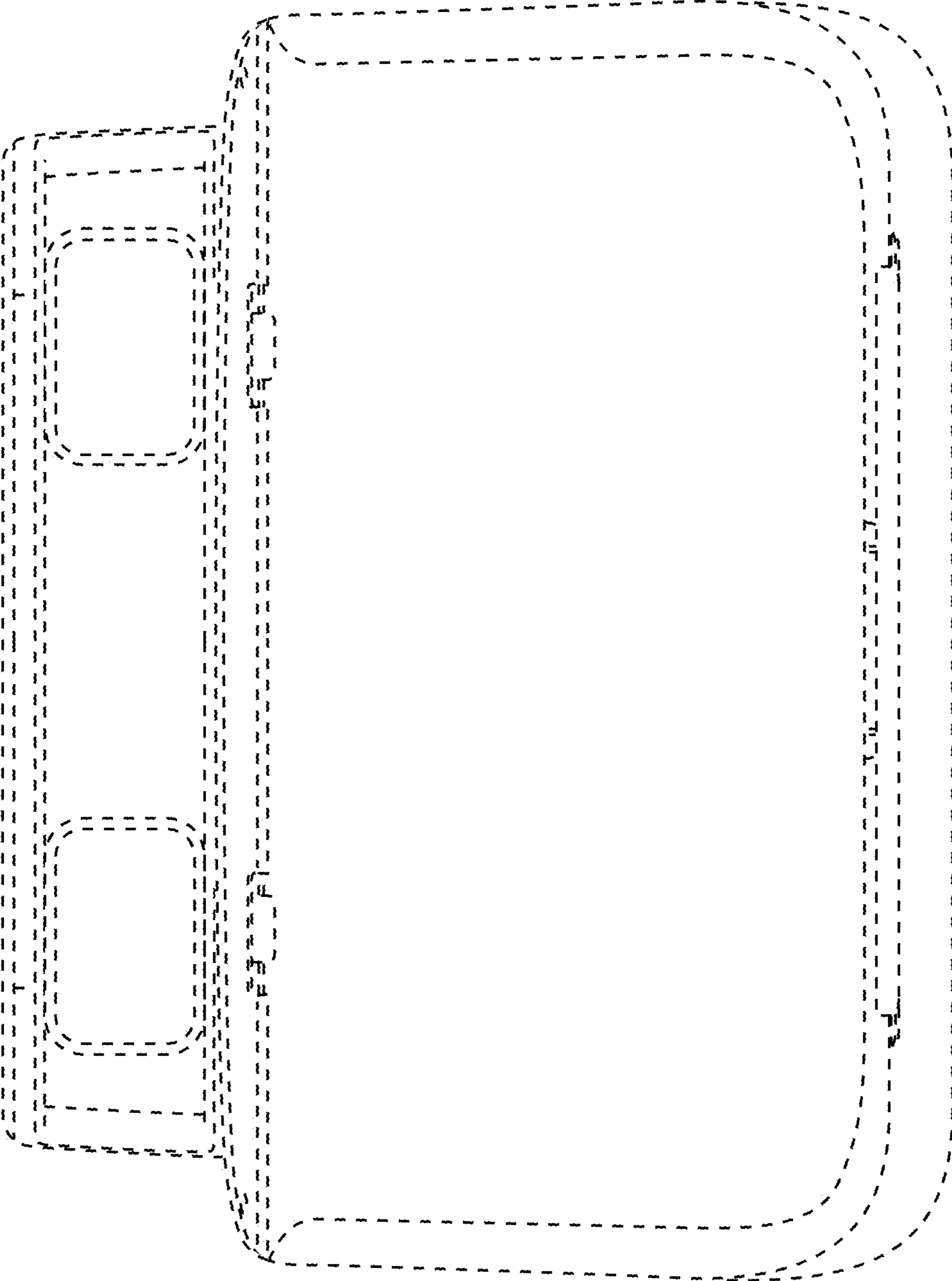


FIG. 4

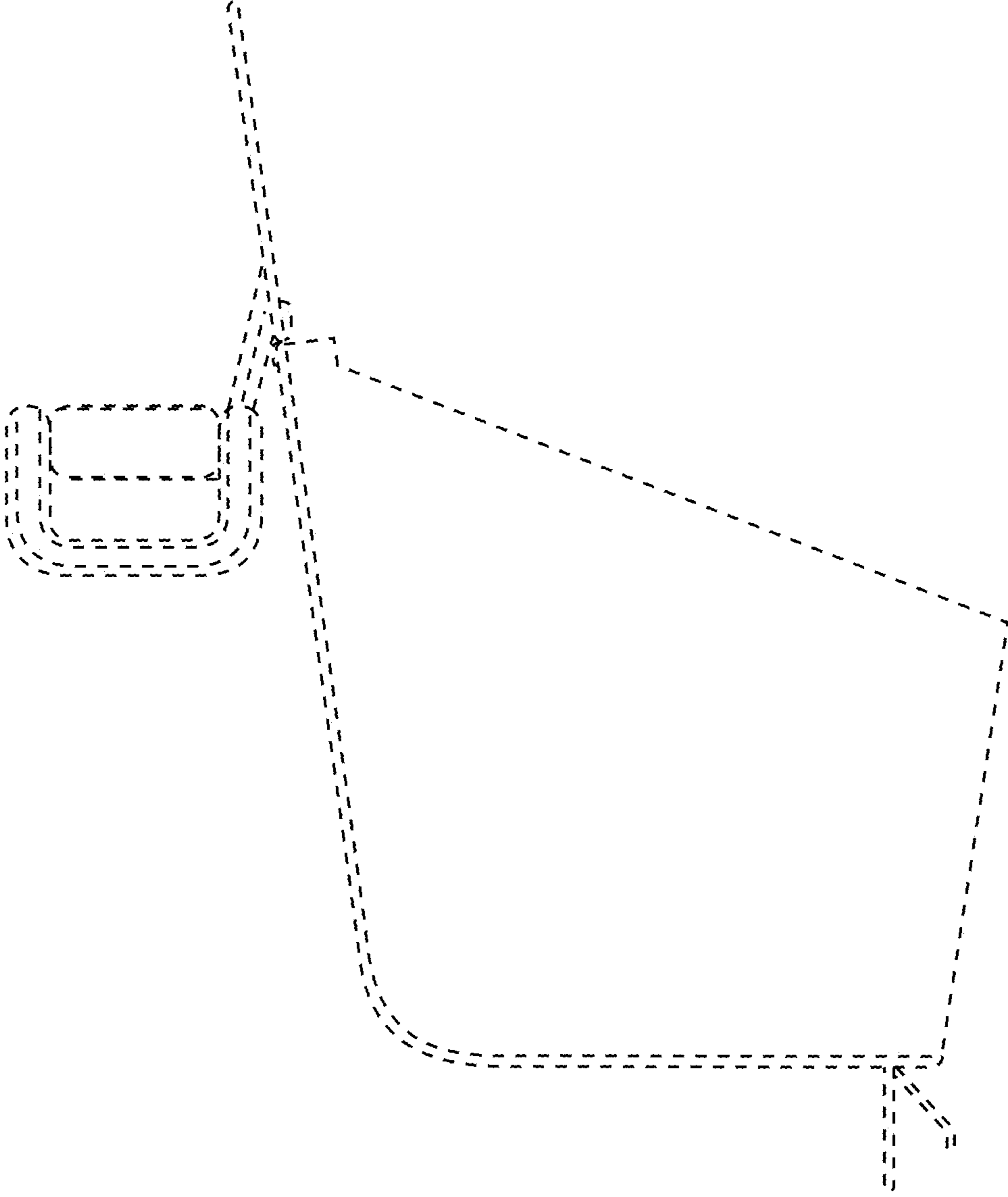


FIG. 5

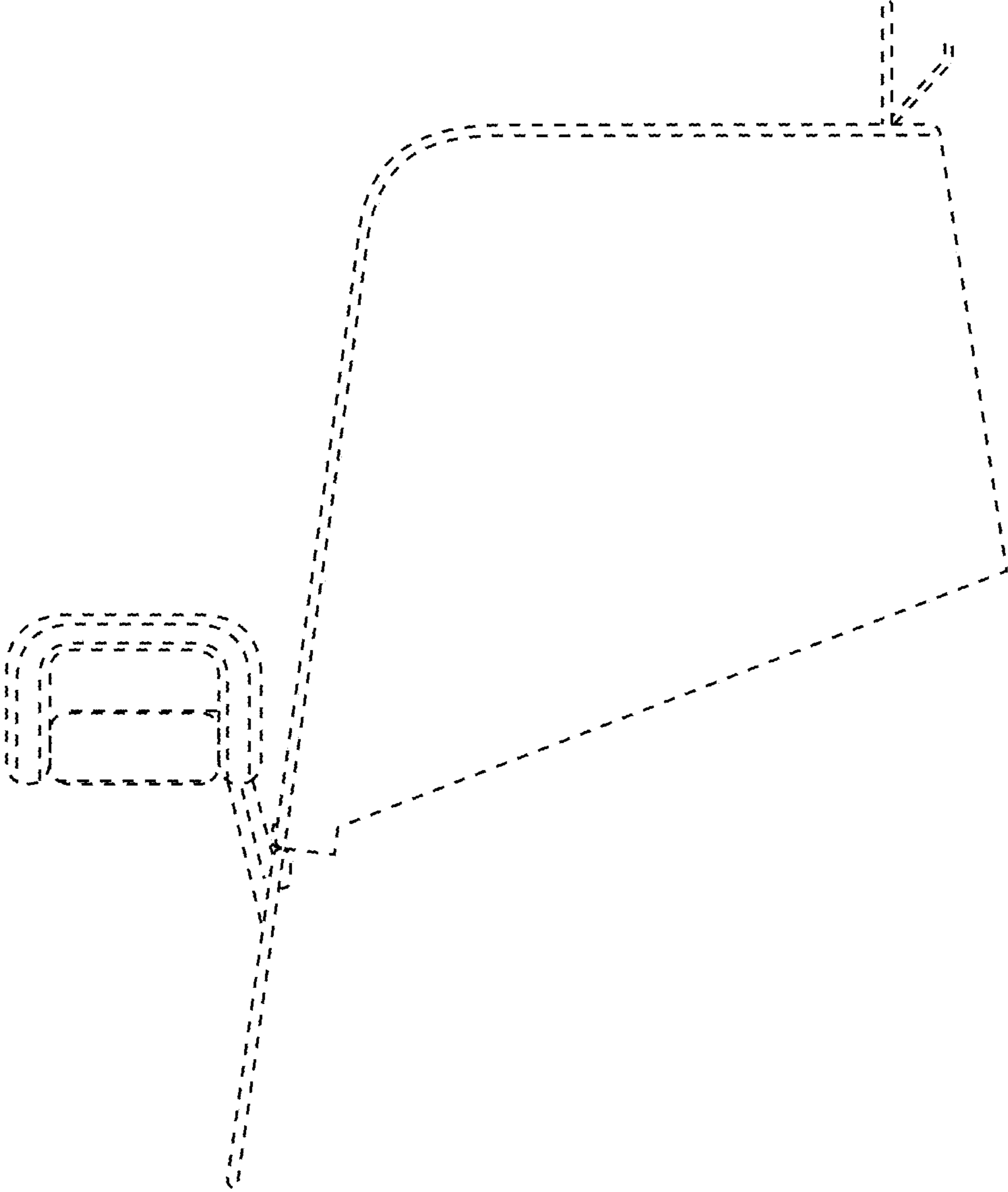


FIG. 6



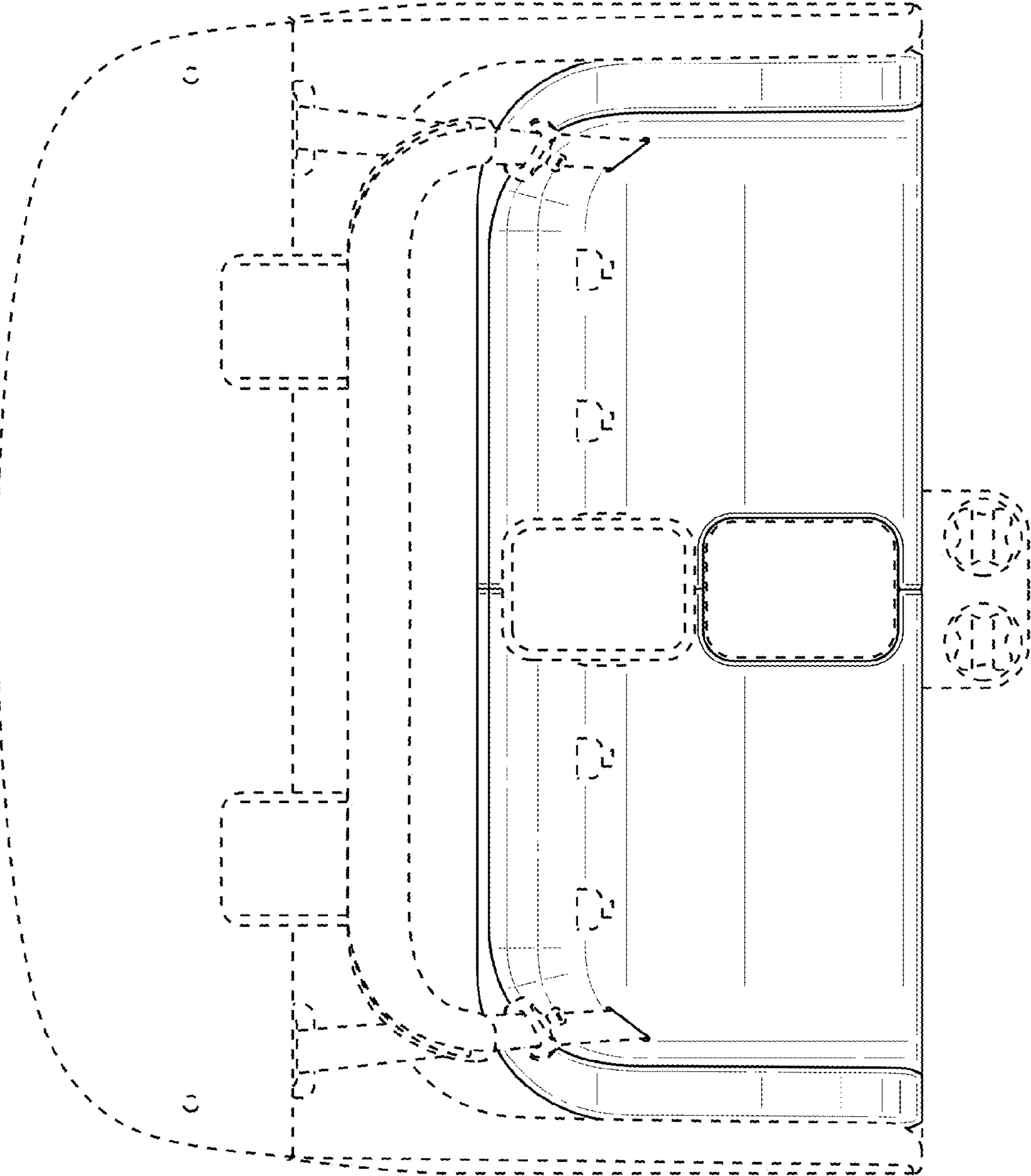


FIG. 7

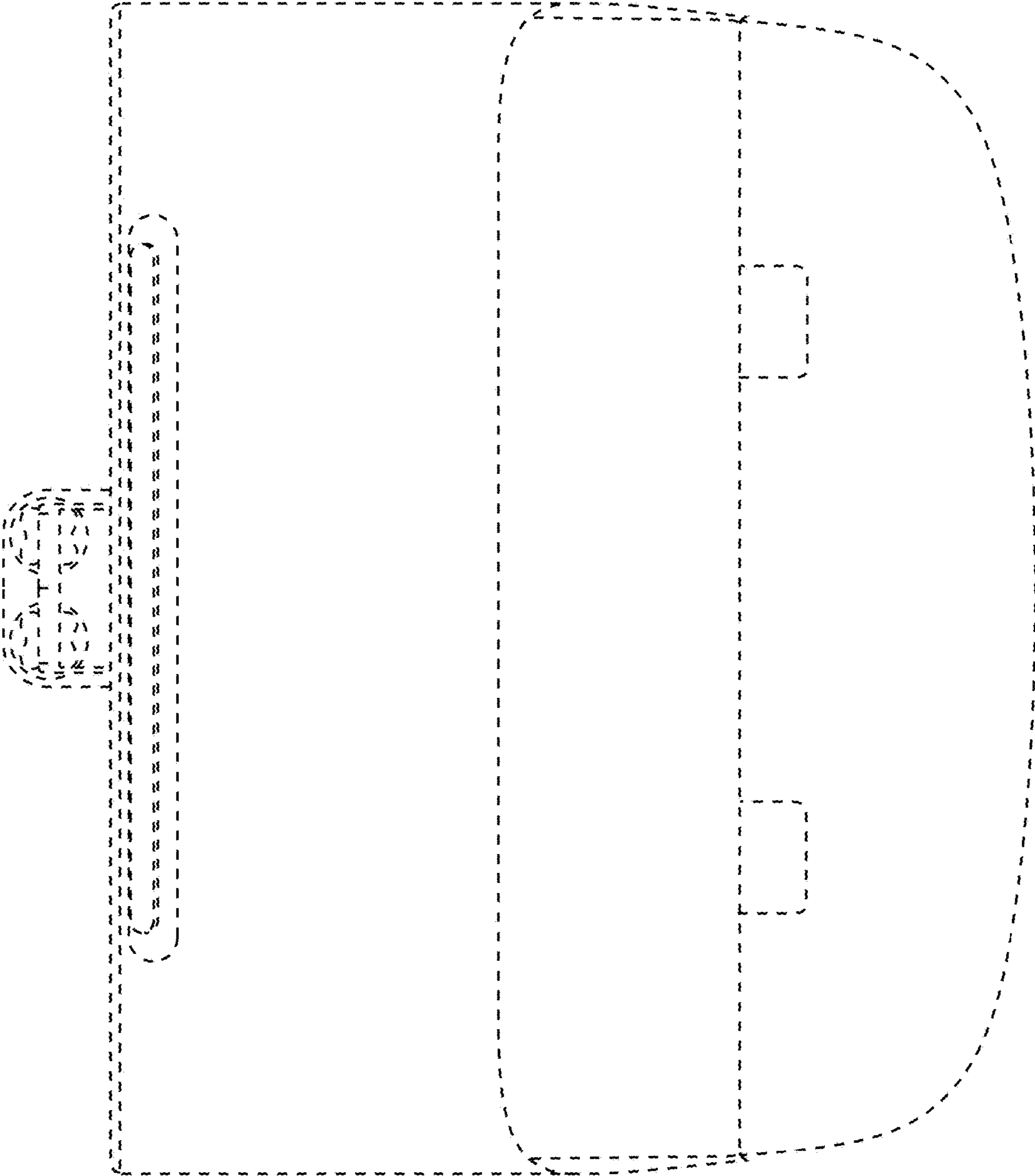


FIG. 8