



US00D974060S

(12) **United States Design Patent**  
**Liu**

(10) **Patent No.:** **US D974,060 S**  
(45) **Date of Patent:** **\*\* Jan. 3, 2023**

(54) **BED END STOOL**

D621,174 S 8/2010 Kanthasamy  
D847,528 S \* 5/2019 Furuland ..... D30/118  
D915,085 S 4/2021 Kanthasamy

(71) Applicant: **Yihui Liu**, Huizhou (CN)

(72) Inventor: **Yihui Liu**, Huizhou (CN)

(\*\*) Term: **15 Years**

(21) Appl. No.: **29/833,735**

(22) Filed: **Apr. 6, 2022**

(51) **LOC (14) Cl.** ..... **06-01**

(52) **U.S. Cl.**  
USPC ..... **D6/355**

(58) **Field of Classification Search**  
USPC ..... D6/336, 349, 350, 352, 355, 370, 374,  
D6/381  
CPC .... A47C 3/04; A47C 3/12; A47C 3/14; A47C  
3/34; A47C 4/028; A47C 4/02; A47C  
7/506; A47C 9/007; A47C 13/023; A47C  
15/002; A47C 17/02; A47C 19/021; A63B  
2023/006

See application file for complete search history.

(56) **References Cited**

**U.S. PATENT DOCUMENTS**

D64,348 S \* 4/1924 Folsom ..... D6/355  
D177,919 S \* 6/1956 Mints ..... D6/360  
D457,333 S \* 5/2002 Walters, III ..... D6/355  
D485,692 S \* 1/2004 Wanek ..... D6/349  
D618,929 S 7/2010 Yeong

**OTHER PUBLICATIONS**

“AOWOW Storage Bench for Bedroom End . . .” Nov. 20, 2021, amazon.com, site visited Aug. 24, 2022 <[https://www.amazon.com/Storage-Bedroom-Ottoman-Sitting-Fireplace/dp/B09M7F3MY6/ref=cm\\_cr\\_ar\\_p\\_d\\_product\\_top?ie=UTF8](https://www.amazon.com/Storage-Bedroom-Ottoman-Sitting-Fireplace/dp/B09M7F3MY6/ref=cm_cr_ar_p_d_product_top?ie=UTF8)> (Year: 2021).\*

\* cited by examiner

*Primary Examiner* — Kevin K Rudzinski

*Assistant Examiner* — Paul D Bohannon

(74) *Attorney, Agent, or Firm* — Che-Yang Chen; Law Office of Michael Chen

(57) **CLAIM**

The ornamental design for a bed end stool, as shown and described.

**DESCRIPTION**

FIG. 1 is a perspective view of the bed end stool showing my new design;

FIG. 2 is a perspective view thereof from another angle;

FIG. 3 is a front elevational view thereof;

FIG. 4 is a rear elevational view thereof;

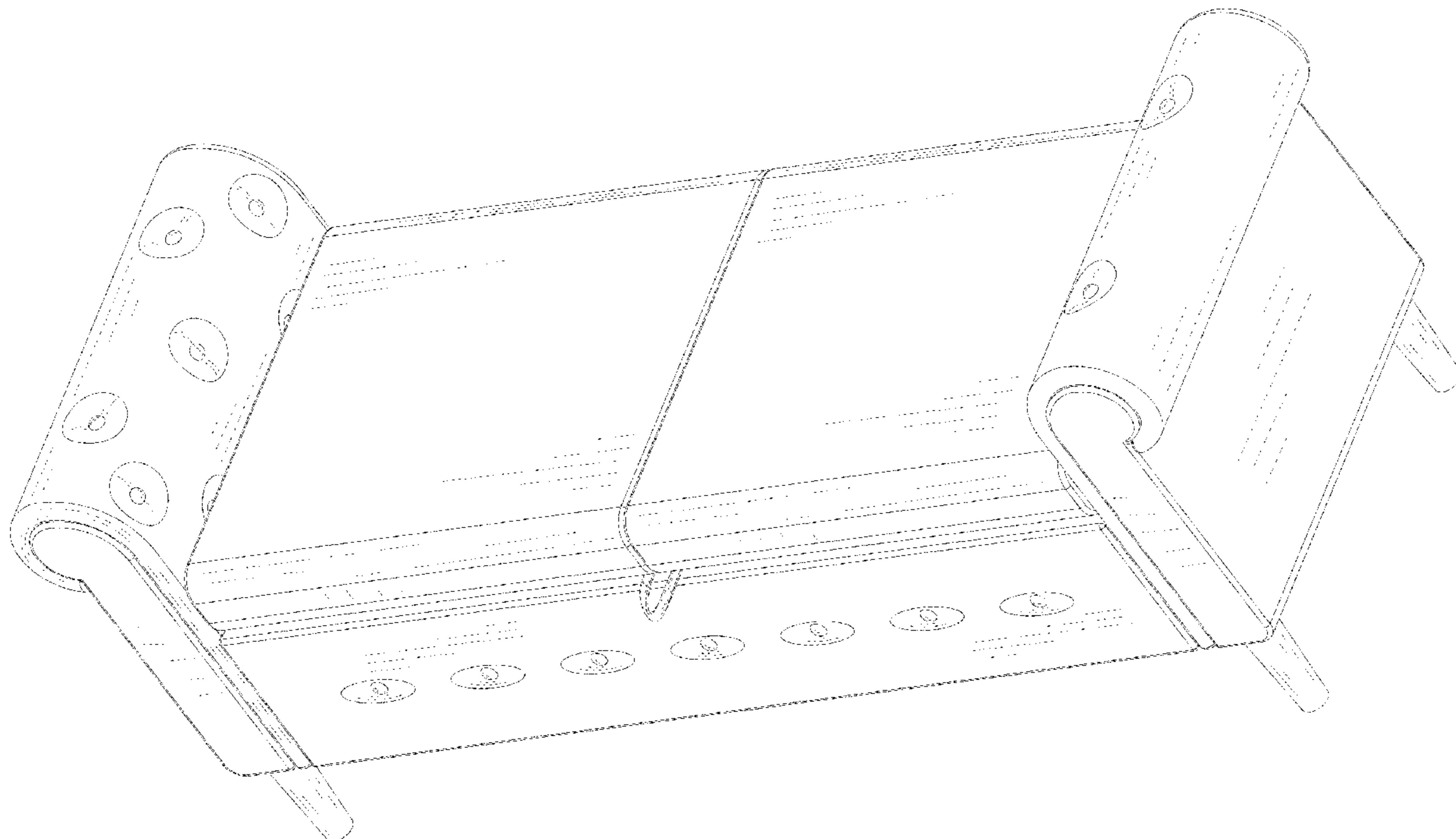
FIG. 5 is a left side elevational view thereof;

FIG. 6 is a right side elevational view thereof;

FIG. 7 is a top plan view thereof; and,

FIG. 8 is a bottom plan view thereof.

**1 Claim, 8 Drawing Sheets**



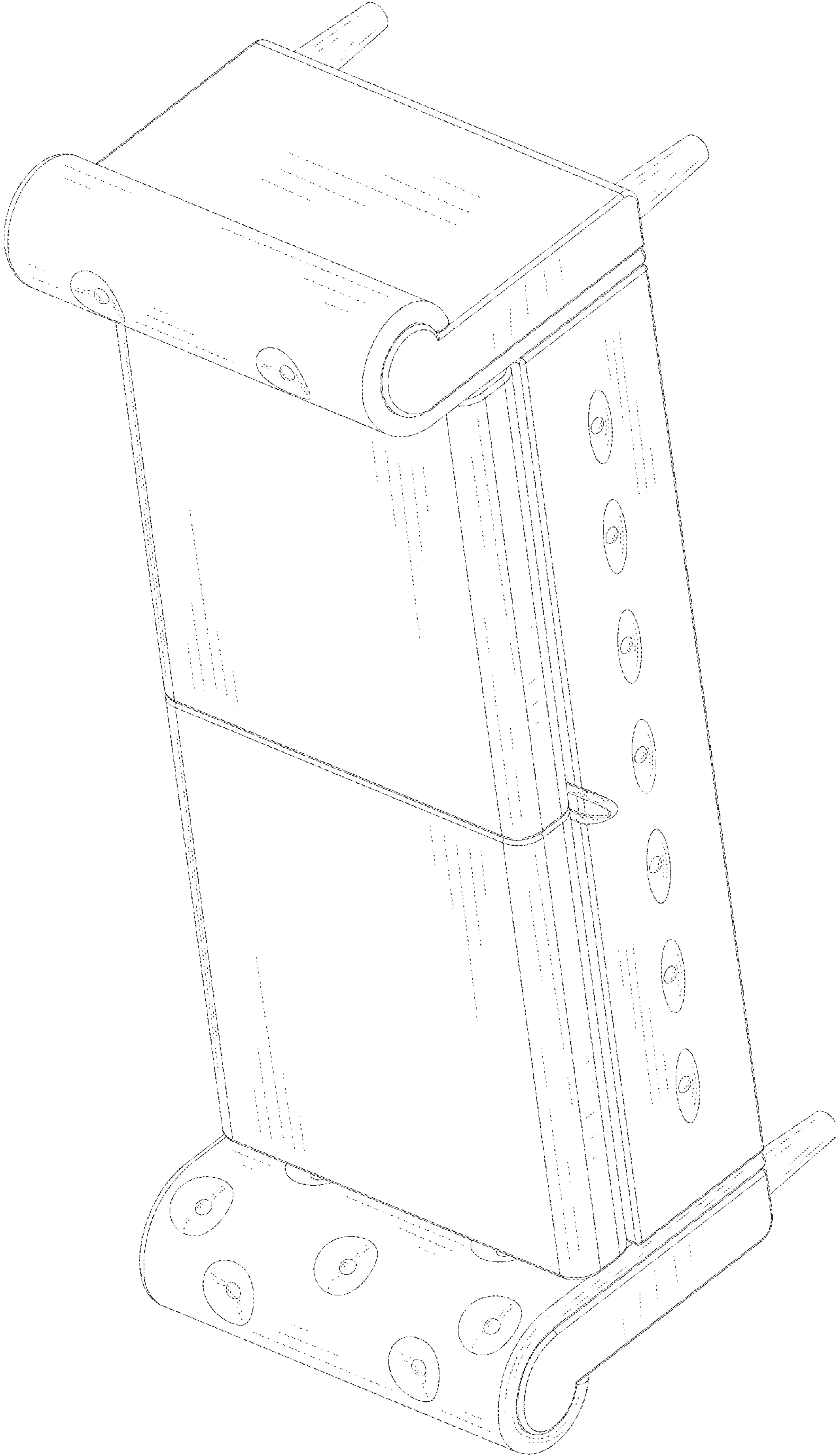


FIG. 1

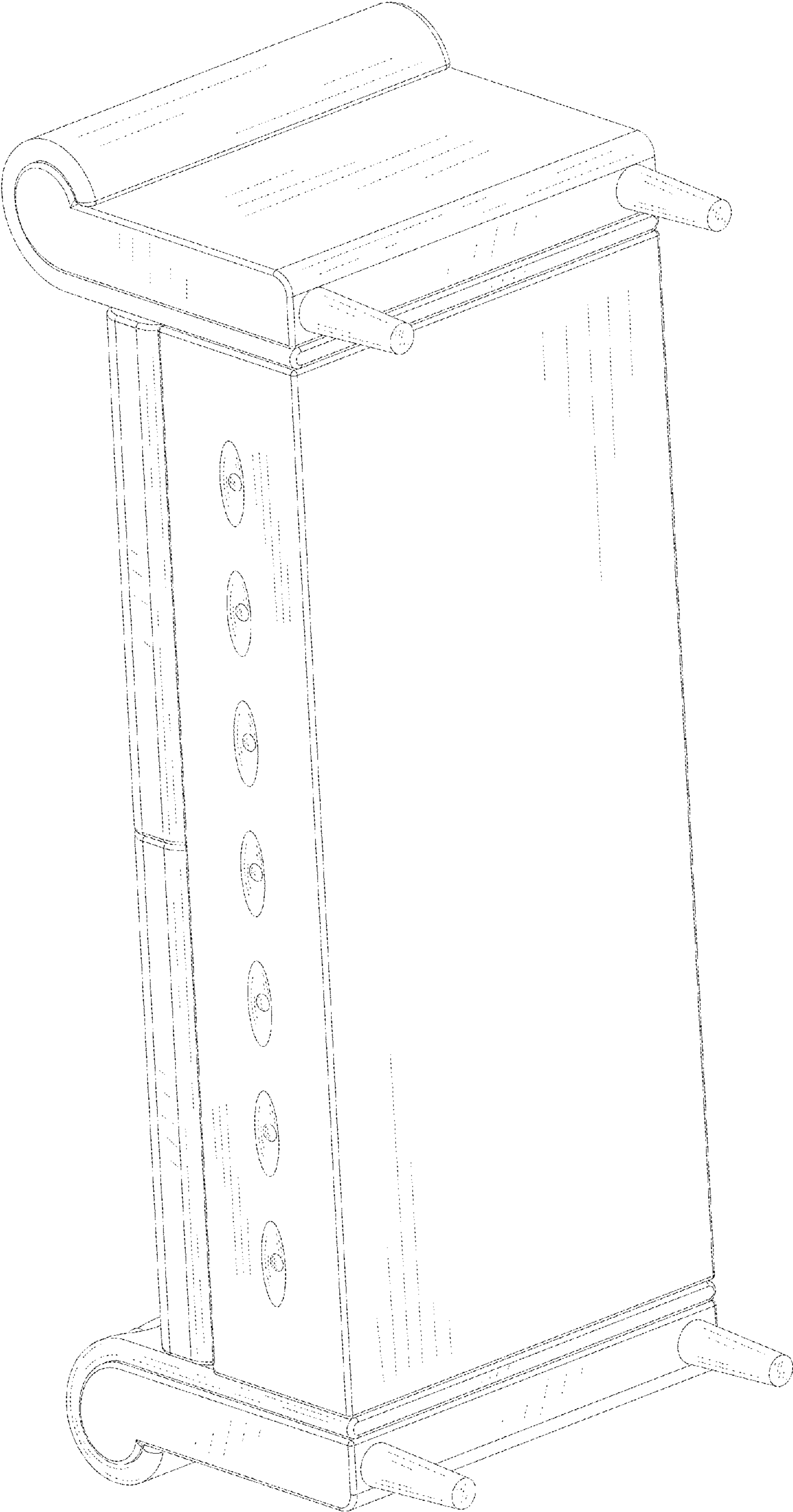


FIG. 2

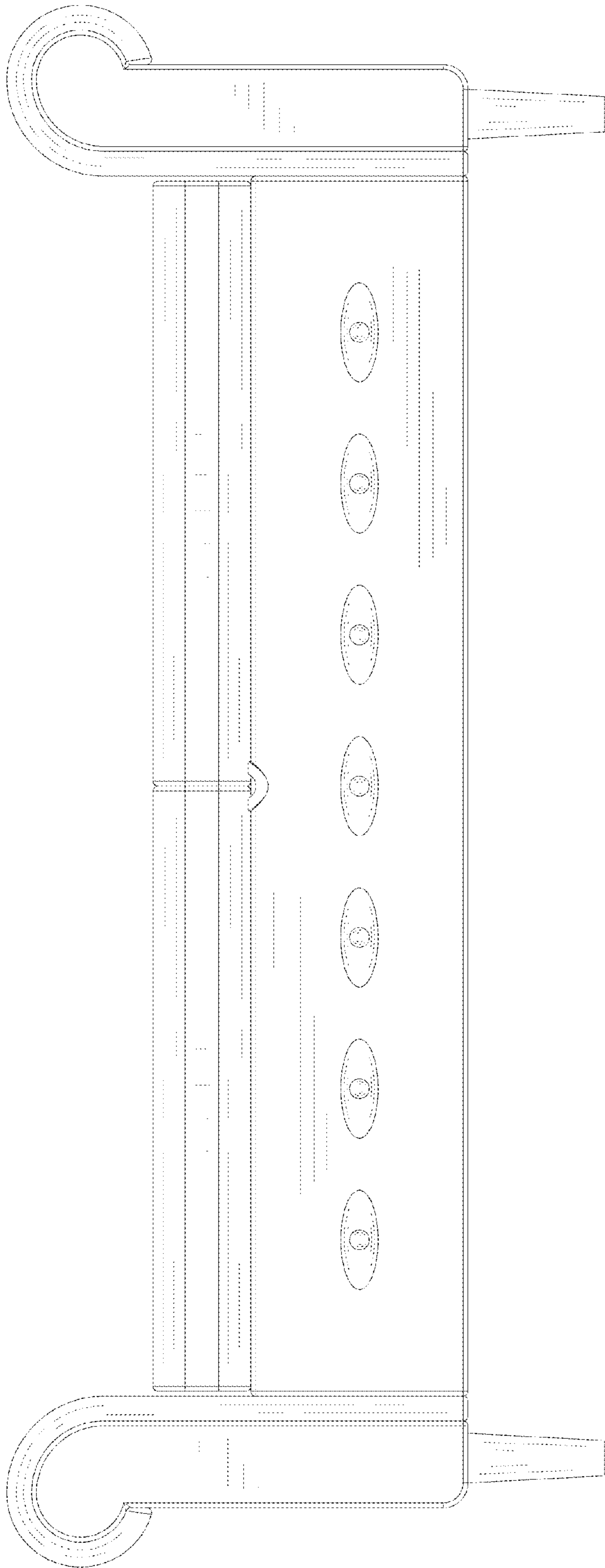


FIG. 3

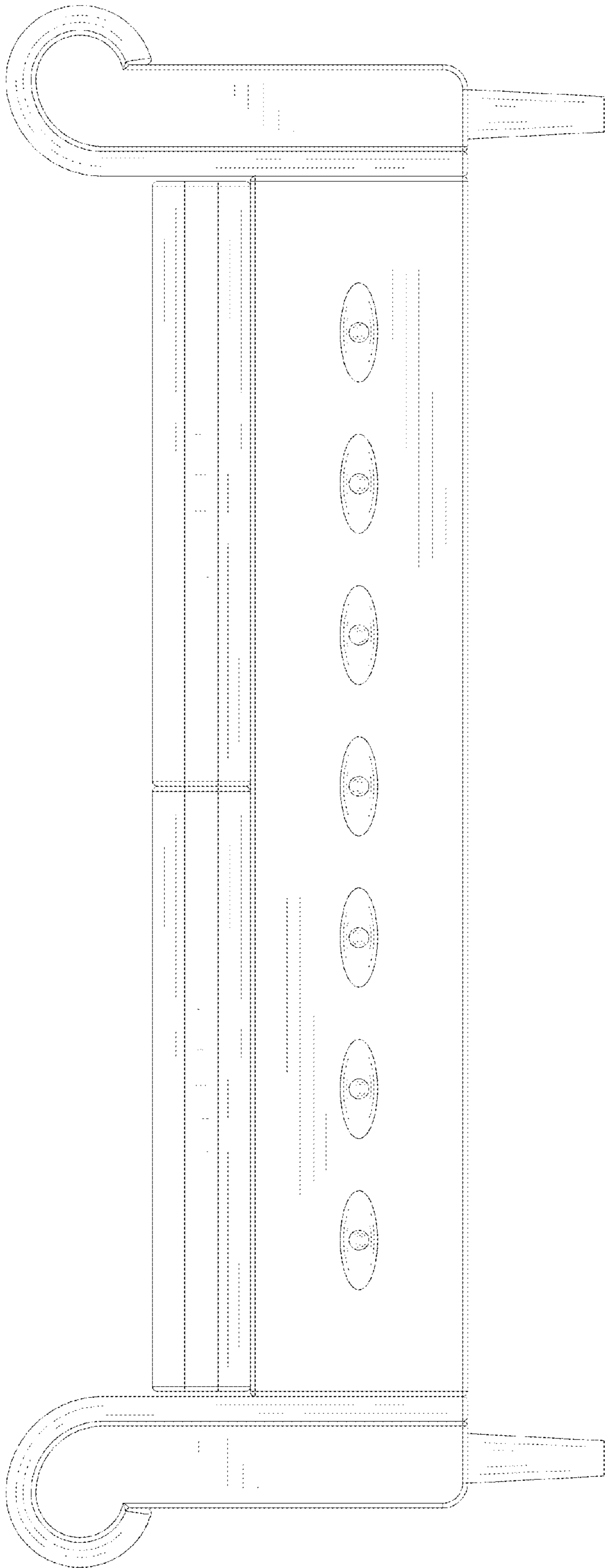


FIG. 4

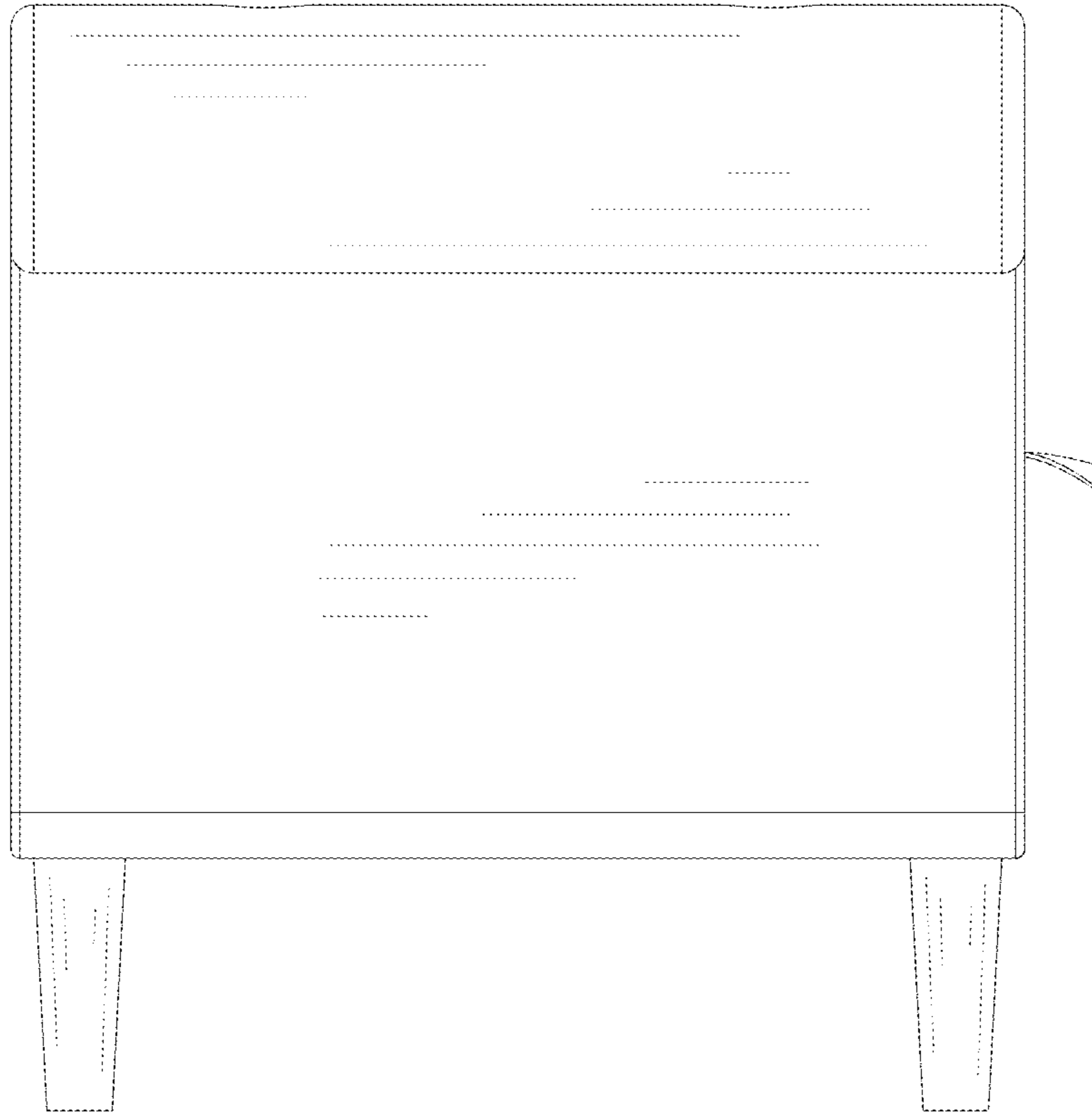


FIG. 5

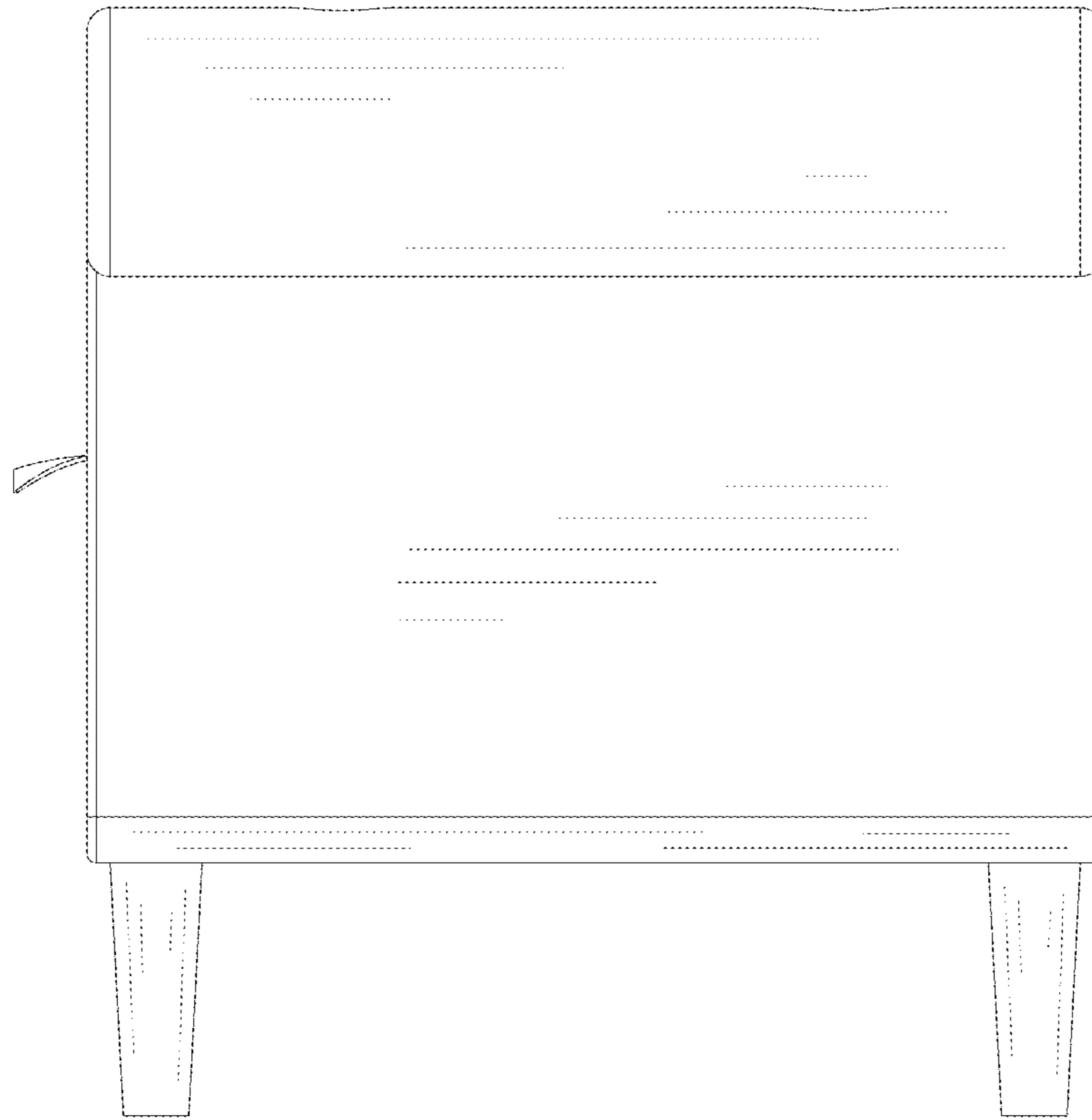


FIG. 6

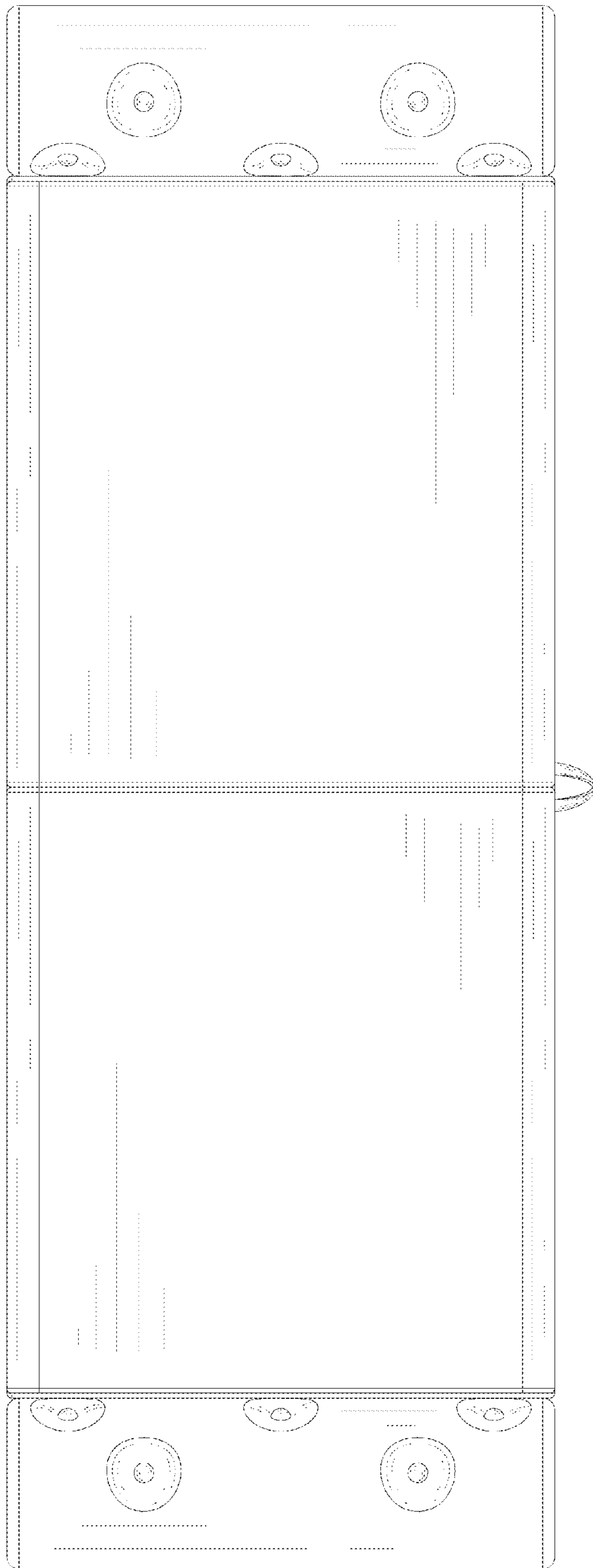


FIG. 7



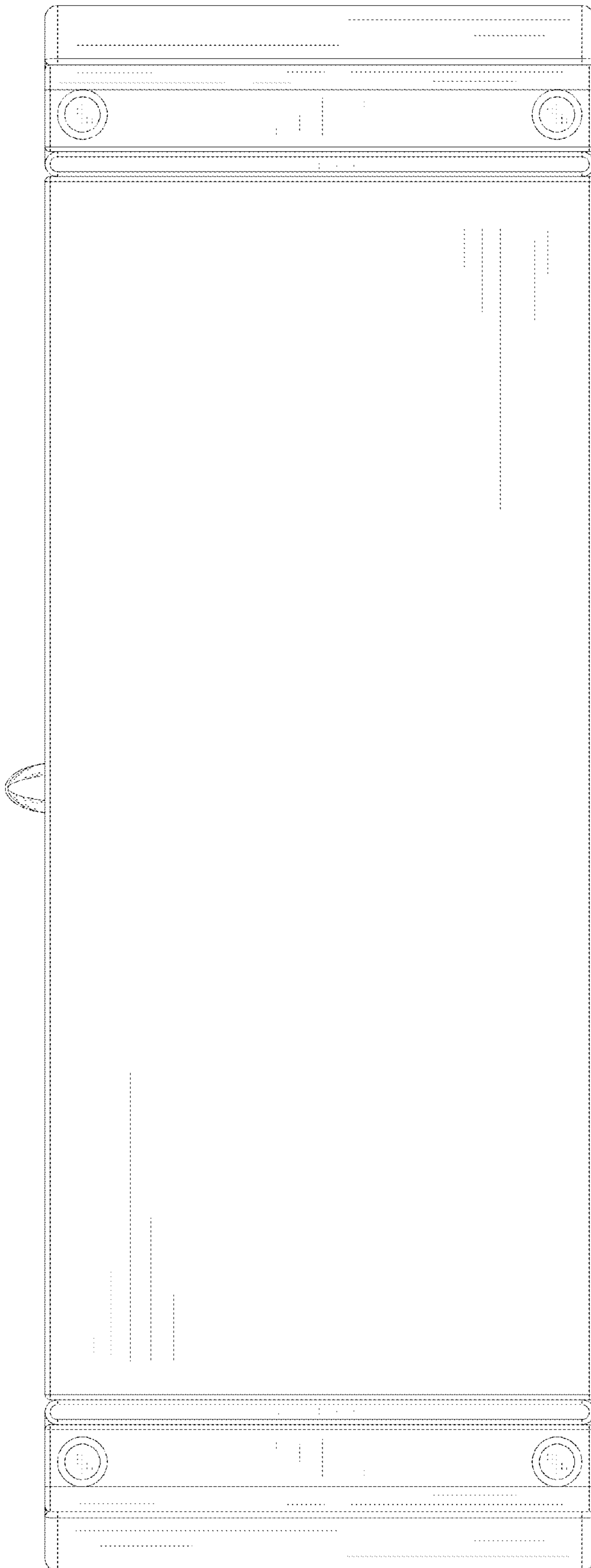


FIG. 8