



US00D974056S

(12) **United States Design Patent**
Leng

(10) **Patent No.:** **US D974,056 S**
(45) **Date of Patent:** **** Jan. 3, 2023**

(54) **SOFA BED**

(71) Applicant: **NEW-TEC INTEGRATION (XIAMEN) CO., LTD.**, Fujian (CN)

(72) Inventor: **Luhao Leng**, Fujian (CN)

(73) Assignee: **NEW-TEC INTEGRATION (XIAMEN) CO., LTD.**, Xiamen (CN)

(**) Term: **15 Years**

(21) Appl. No.: **29/774,764**

(22) Filed: **Mar. 18, 2021**

(30) **Foreign Application Priority Data**

Jan. 15, 2021 (CN) 202130029343.1

(51) **LOC (14) Cl.** **06-01**

(52) **U.S. Cl.**
USPC **D6/335**

(58) **Field of Classification Search**
USPC D6/334-337, 349, 369, 374, 375, 377, D6/381

(Continued)

(56) **References Cited**

U.S. PATENT DOCUMENTS

2,111,415 A * 3/1938 Arton A47C 17/16 5/58

5,528,778 A 6/1996 Shrock et al.
(Continued)

FOREIGN PATENT DOCUMENTS

CN 306556058 * 5/2021

OTHER PUBLICATIONS

Mainstay Metal Arm Futon [online], [site visited Sep. 00, 2022]. Available from internet, URL: <<https://www.amazon.com/Mainstay-Metal-Futon-Mattress-Black/dp/B013U1QXJM/>> (Year: 2015).*

Primary Examiner — Cynthia Ramirez

Assistant Examiner — Xavier Marti-Santos

(74) *Attorney, Agent, or Firm* — Perkins Coie LLP

(57) **CLAIM**

The ornamental design of a sofa bed, as shown and described.

DESCRIPTION

FIG. 1 is a perspective view of a sofa bed showing my new design.

FIG. 2 is a front elevation view of the sofa bed shown in FIG. 1.

FIG. 3 is a back elevation view of the sofa bed shown in FIG. 1.

FIG. 4 is a left side view of the sofa bed shown in FIG. 1.

FIG. 5 is a right side view of the sofa bed shown in FIG. 1.

FIG. 6 is a top plan view of the sofa bed shown in FIG. 1.

FIG. 7 is a bottom plan view of the sofa bed shown in FIG. 1.

FIG. 8 is a perspective view of the sofa bed of FIG. 1 in an alternate configuration.

FIG. 9 is a front elevation view of the sofa bed shown in FIG. 8.

FIG. 10 is a back elevation view of the sofa bed shown in FIG. 8.

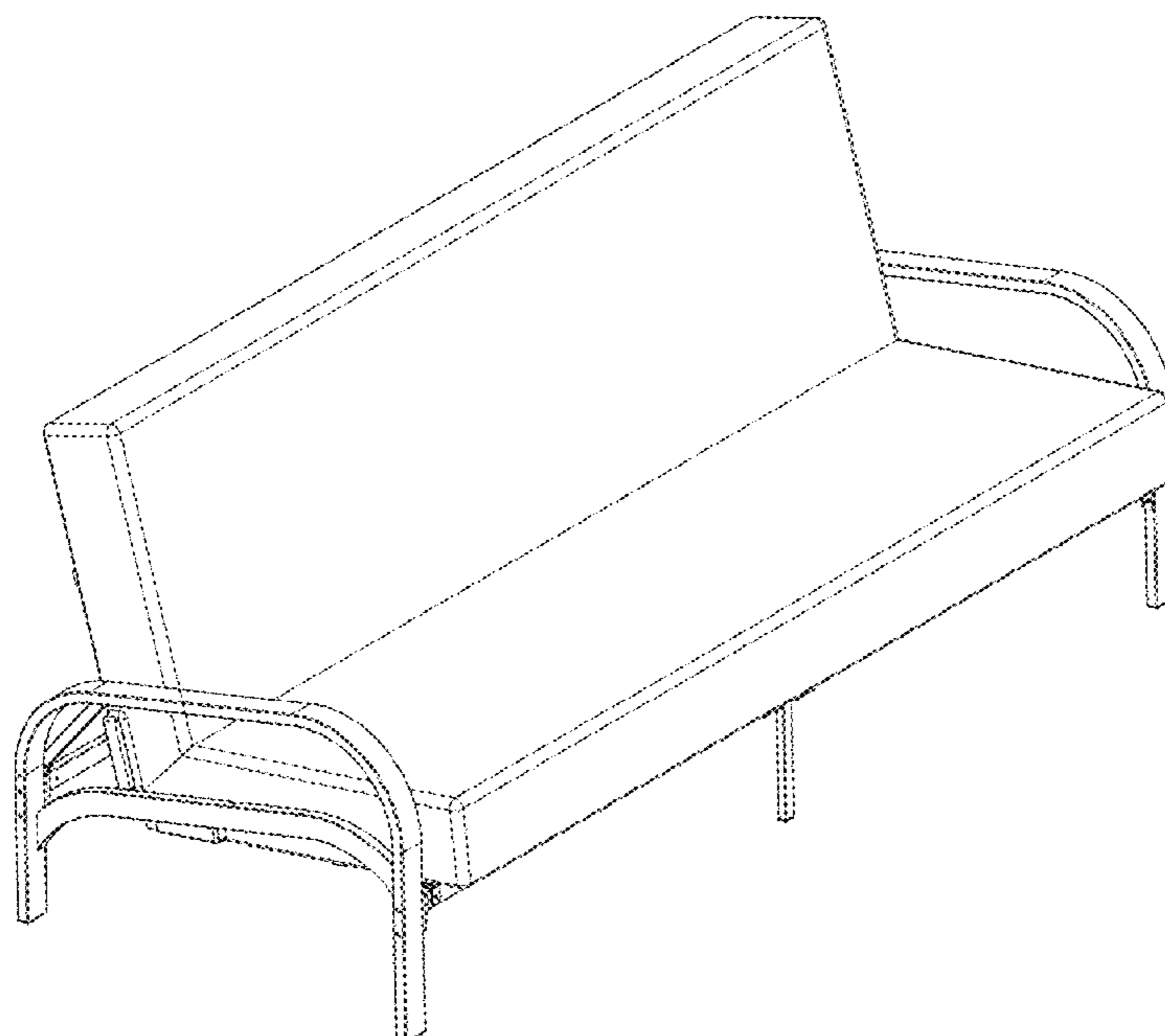
FIG. 11 is a left side view of the sofa bed shown in FIG. 8.

FIG. 12 is a right side view of the sofa bed shown in FIG. 8.

FIG. 13 is a top plan view of the sofa bed shown in FIG. 8; and,

FIG. 14 is a bottom plan view of the sofa bed shown in FIG. 8.

1 Claim, 6 Drawing Sheets



(58) **Field of Classification Search**

CPC A47C 17/00; A47C 17/045; A47C 17/12;
A47C 17/136

See application file for complete search history.

(56) **References Cited**

U.S. PATENT DOCUMENTS

6,209,154	B1	4/2001	Huang	
D455,281	S *	4/2002	Andersen	D6/381
D591,970	S *	5/2009	Weiss	D6/381
D603,617	S *	11/2009	Weiss	D6/381
D603,618	S *	11/2009	Weiss	D6/381
D604,957	S *	12/2009	Weiss	D6/381
D649,367	S *	11/2011	Andersen	D6/335
9,259,093	B2	2/2016	Leng	
D811,100	S *	2/2018	Andersen	D6/381
10,512,337	B2	12/2019	Leng	
2015/0196128	A1 *	7/2015	Leng	A47C 17/1756 5/37.1
2018/0035816	A1 *	2/2018	Leng	A47C 17/17

* cited by examiner

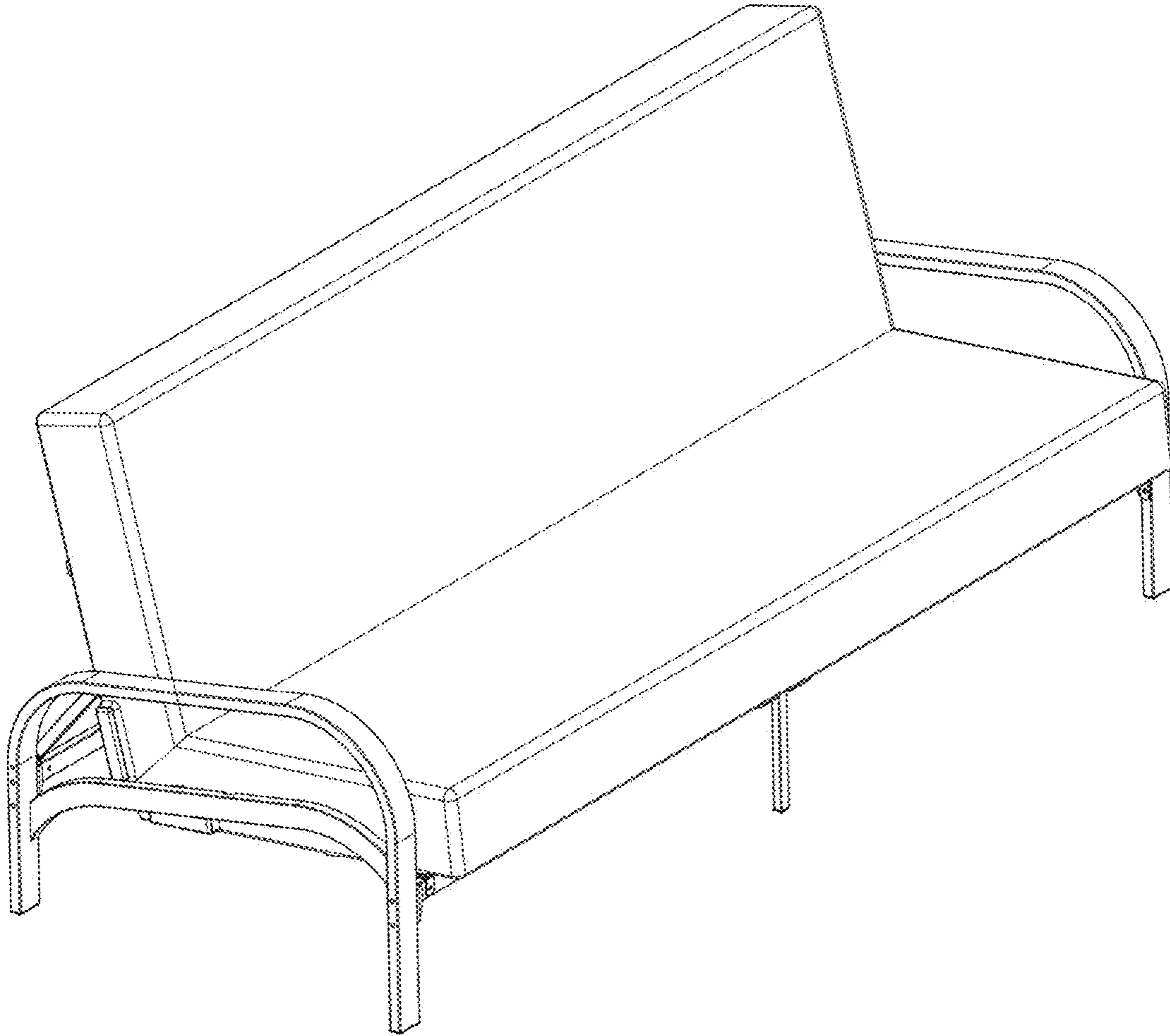


FIG. 1

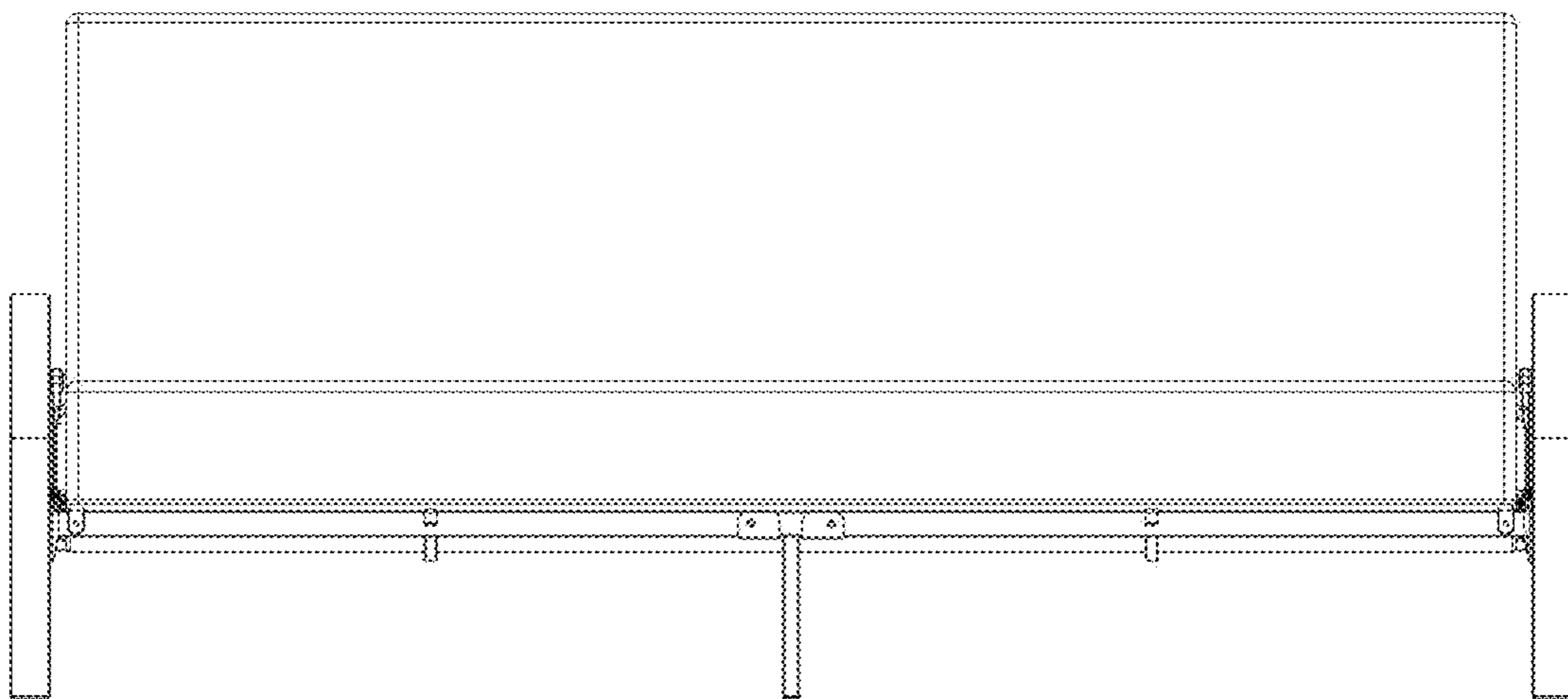


FIG. 2

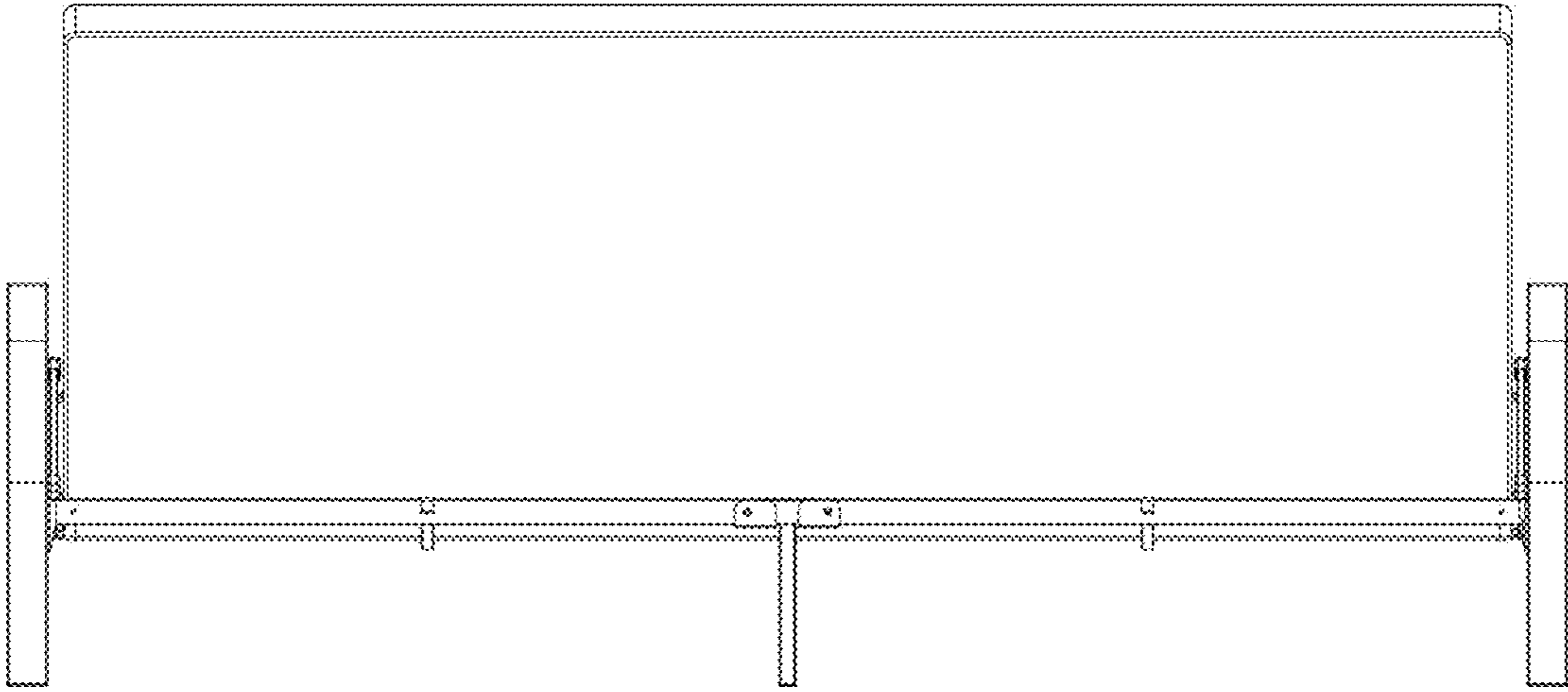


FIG. 3

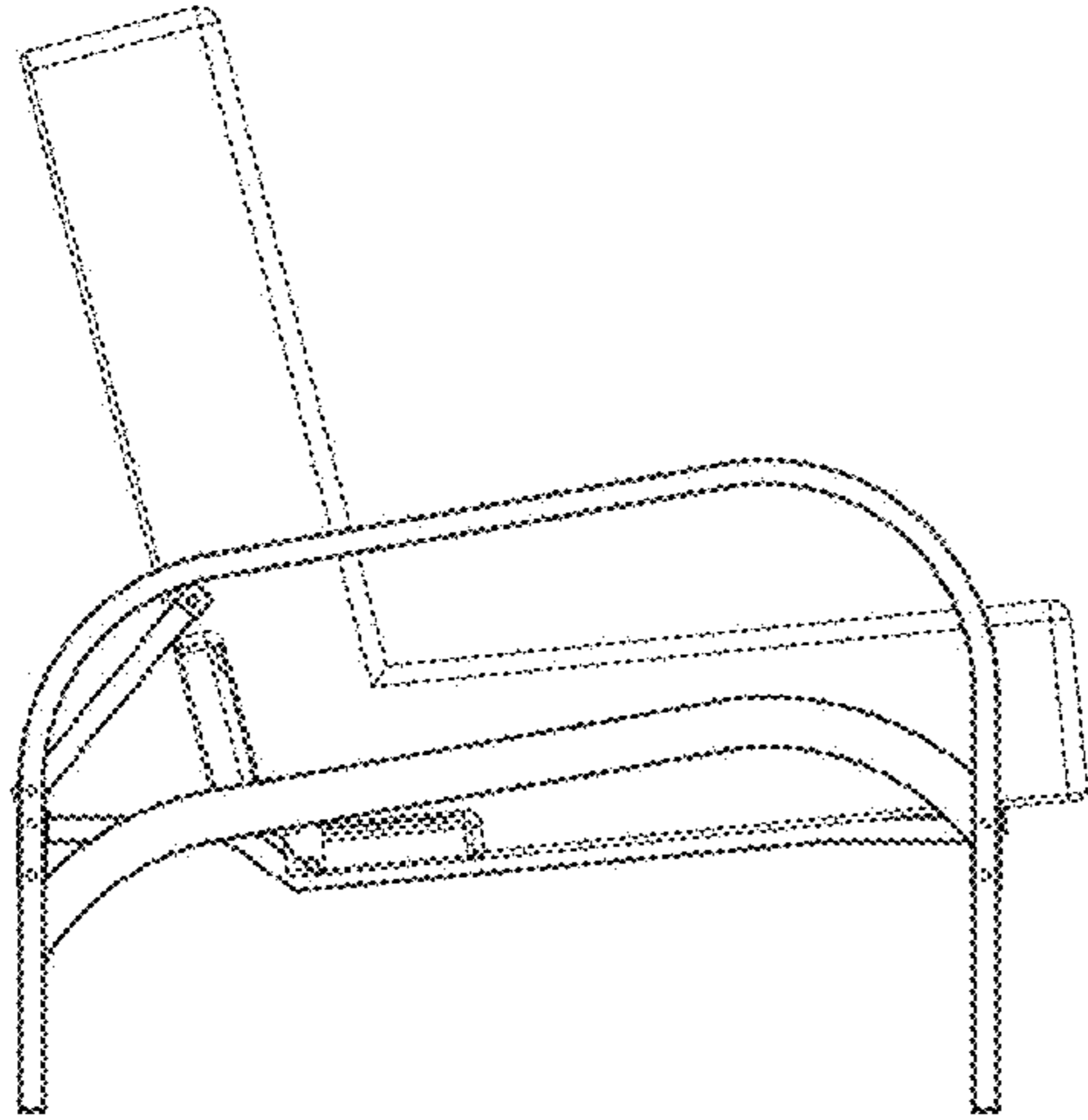


FIG. 4

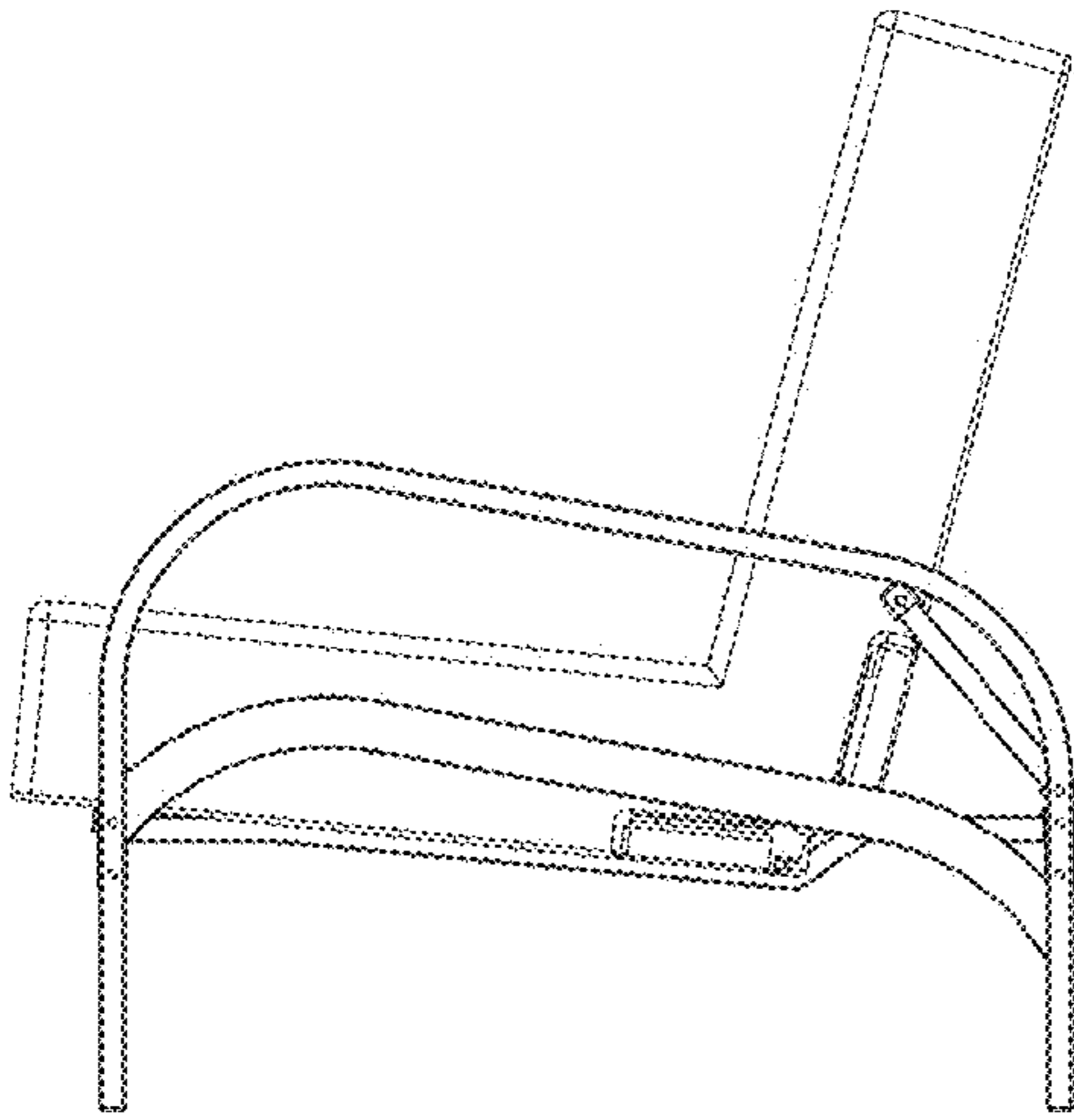


FIG. 5

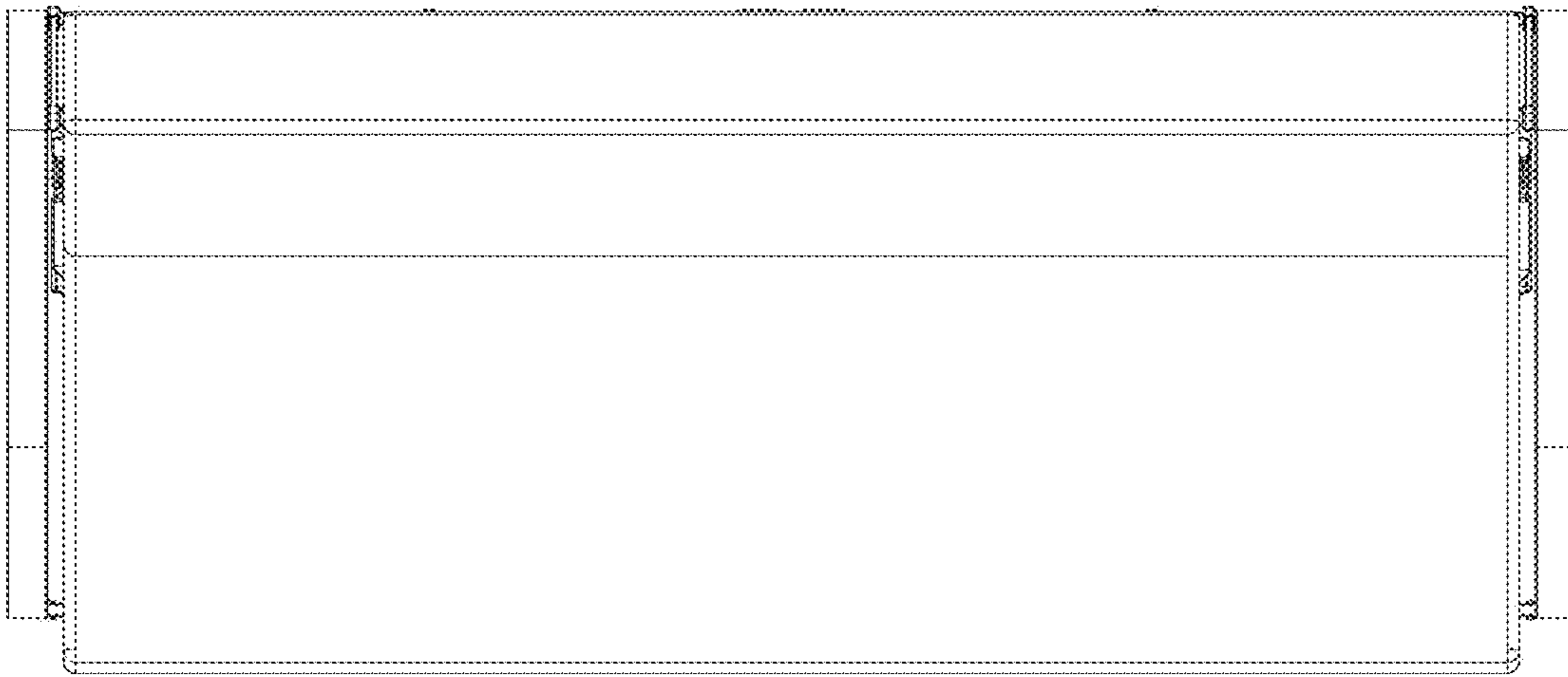


FIG. 6

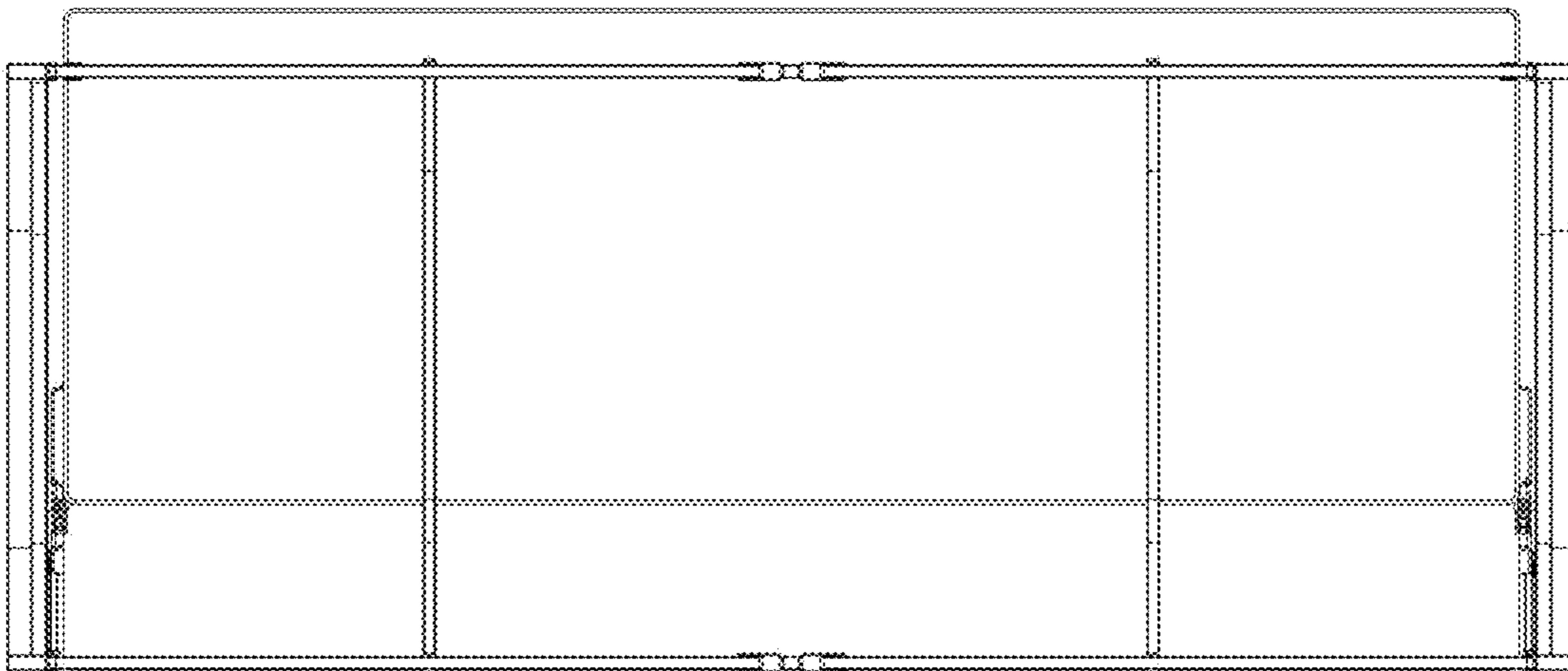


FIG. 7

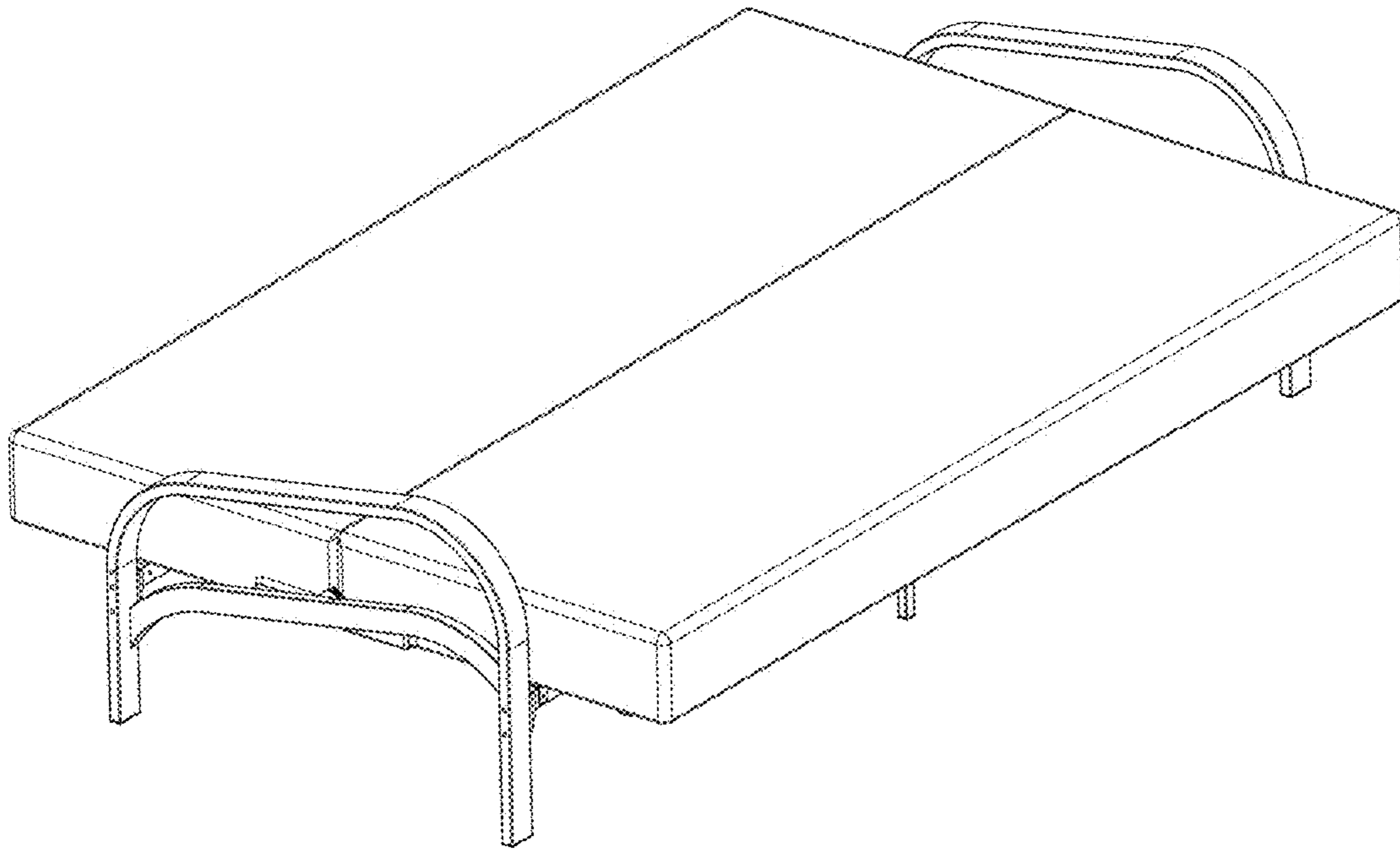


FIG. 8

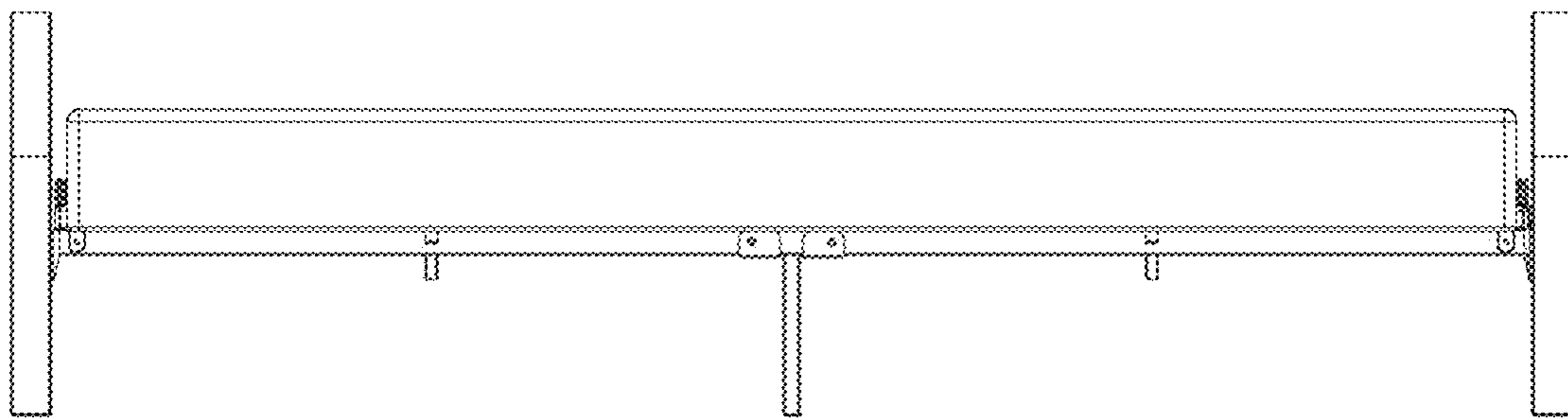


FIG. 9

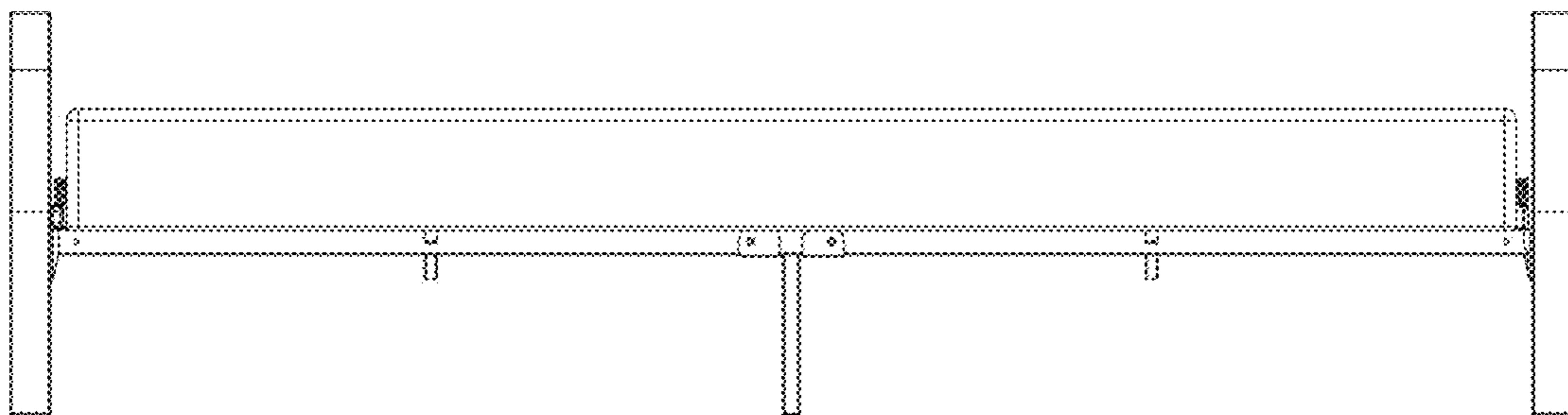


FIG. 10

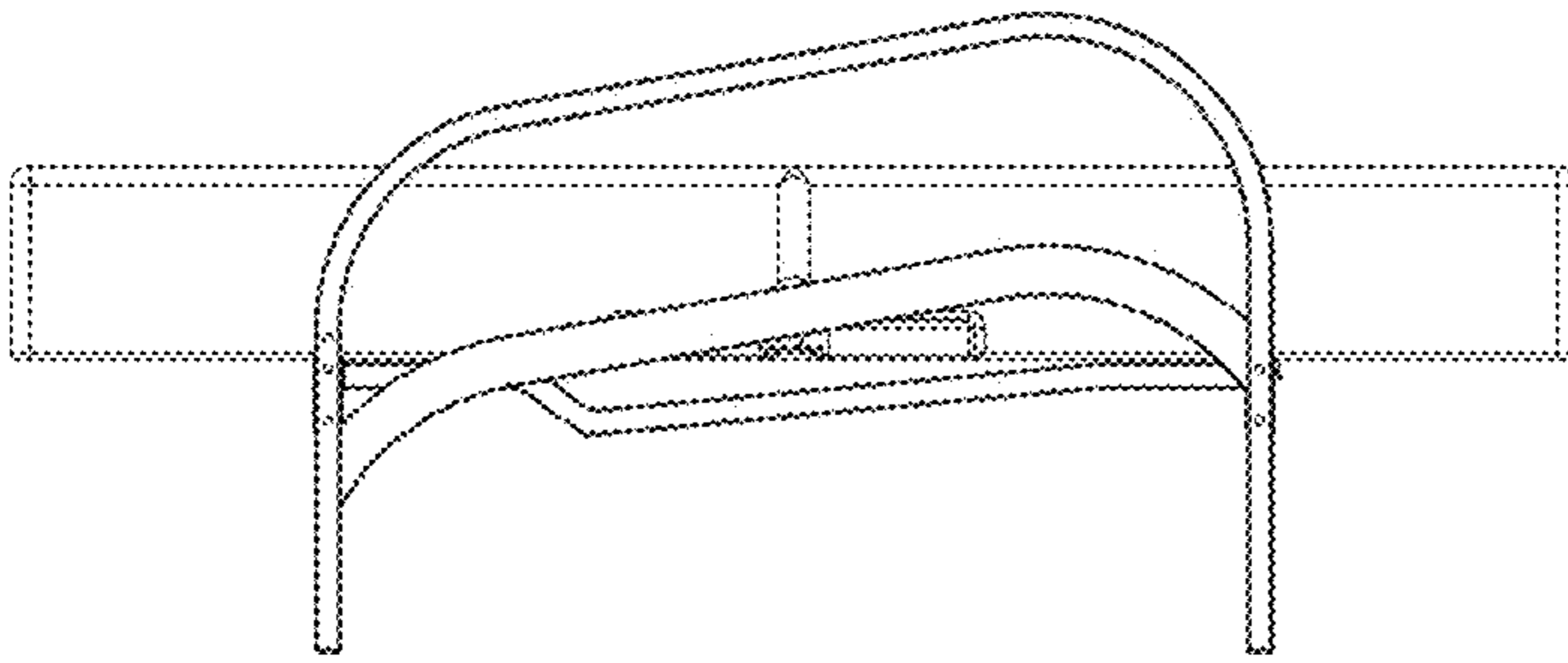


FIG. 11

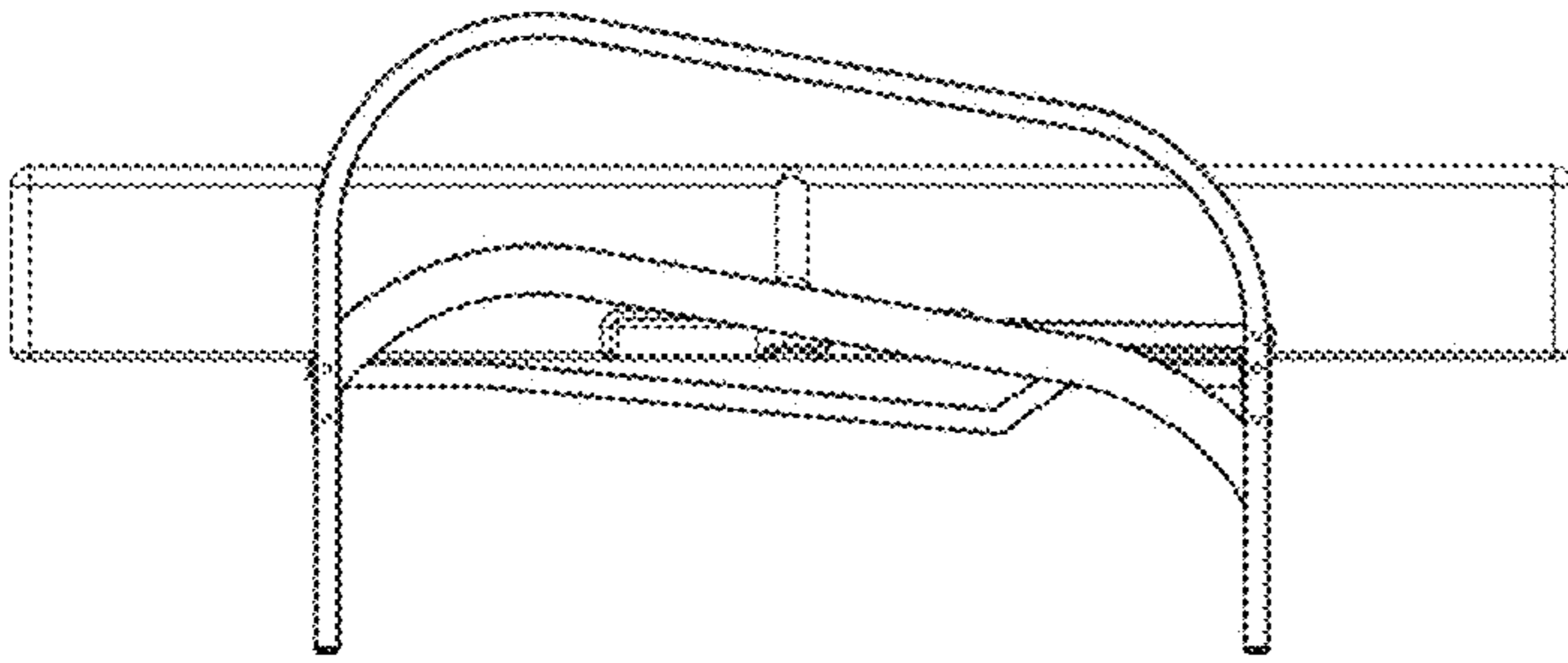


FIG. 12

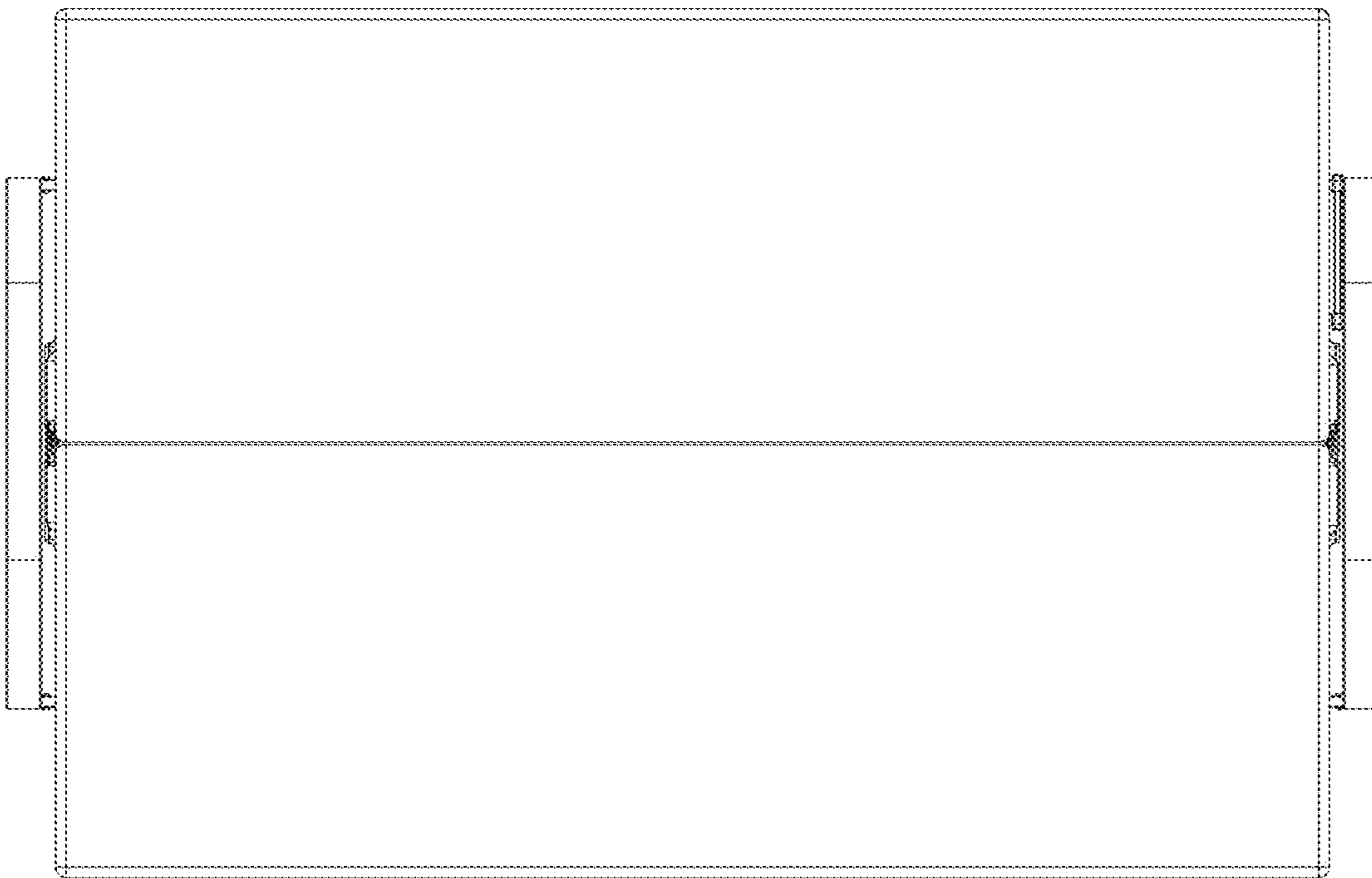


FIG. 13

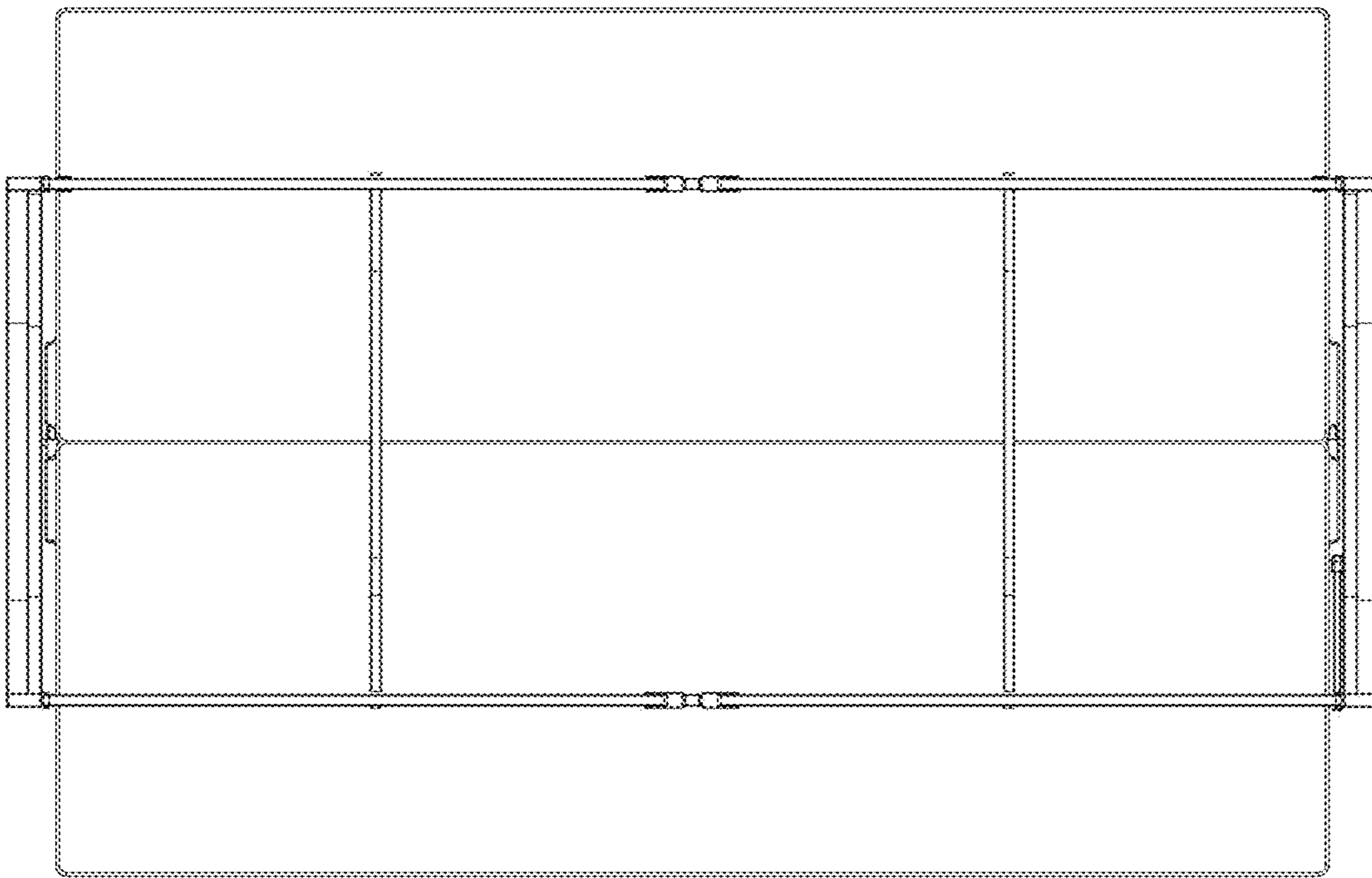


FIG. 14