



US00D974053S

(12) **United States Design Patent** (10) **Patent No.:** **US D974,053 S**
Ma et al. (45) **Date of Patent:** **** Jan. 3, 2023**

(54) **MIRROR** 8,356,908 B1 * 1/2013 Zadro F21V 33/004
362/135
(71) Applicant: **InterDesign, Inc.**, Solon, OH (US) D707,454 S * 6/2014 Pitot D6/309
D730,065 S * 5/2015 Tsai D6/310
(72) Inventors: **Yiping Ma**, Beachwood, OH (US); D738,118 S * 9/2015 Gyanendra D23/370
Gary David Dempsey, Lakewood, OH D779,836 S * 2/2017 Bailey D6/309
(US) D816,350 S * 5/2018 Yang D6/309
D830,706 S * 10/2018 Pitot D6/309
D874,162 S * 2/2020 Greenwalt D6/309
(73) Assignee: **InterDesign, Inc.**, Solon, OH (US) 10,652,447 B1 * 5/2020 Pestl A45D 42/10
(Continued)

(**) Term: **15 Years**

(21) Appl. No.: **29/812,850**

(22) Filed: **Oct. 25, 2021**

Related U.S. Application Data

(63) Continuation-in-part of application No. 29/713,379, filed on Nov. 15, 2019, now abandoned, which is a continuation of application No. 29/602,133, filed on Apr. 28, 2017, now Pat. No. Des. 867,015, which is a continuation of application No. 29/499,664, filed on Aug. 18, 2014, now Pat. No. Des. 787,227.

(51) **LOC (14) Cl.** **06-07**

(52) **U.S. Cl.**
USPC **D6/309**

(58) **Field of Classification Search**
USPC D6/300-314
CPC A47G 1/00; A47G 2001/002; A45D 42/10;
F21V 33/004
See application file for complete search history.

(56) **References Cited**

U.S. PATENT DOCUMENTS

D379,125 S * 5/1997 Simjian D6/309
D509,369 S * 9/2005 Snell D6/310
D540,549 S * 4/2007 Yue D6/312
D574,159 S * 8/2008 Howard D6/310
D657,576 S * 4/2012 Pitot D6/309
8,162,502 B1 * 4/2012 Zadro F21V 33/004
362/427

Primary Examiner — Nathan M Johnston

(74) *Attorney, Agent, or Firm* — Calfee, Halter & Griswold LLP

(57) **CLAIM**

We claim the ornamental design for a mirror, as shown and described.

DESCRIPTION

FIG. 1 is a front/right/top perspective view of a mirror in one configuration (a front/left/top perspective view would be a mirror image thereof);

FIG. 2 is a rear/left/bottom perspective view thereof (a rear/right/bottom perspective view would be a mirror image thereof);

FIG. 3 is a front elevational view thereof;

FIG. 4 is a right side elevational view thereof;

FIG. 5 is a top plan view thereof;

FIG. 6 is a bottom plan view thereof;

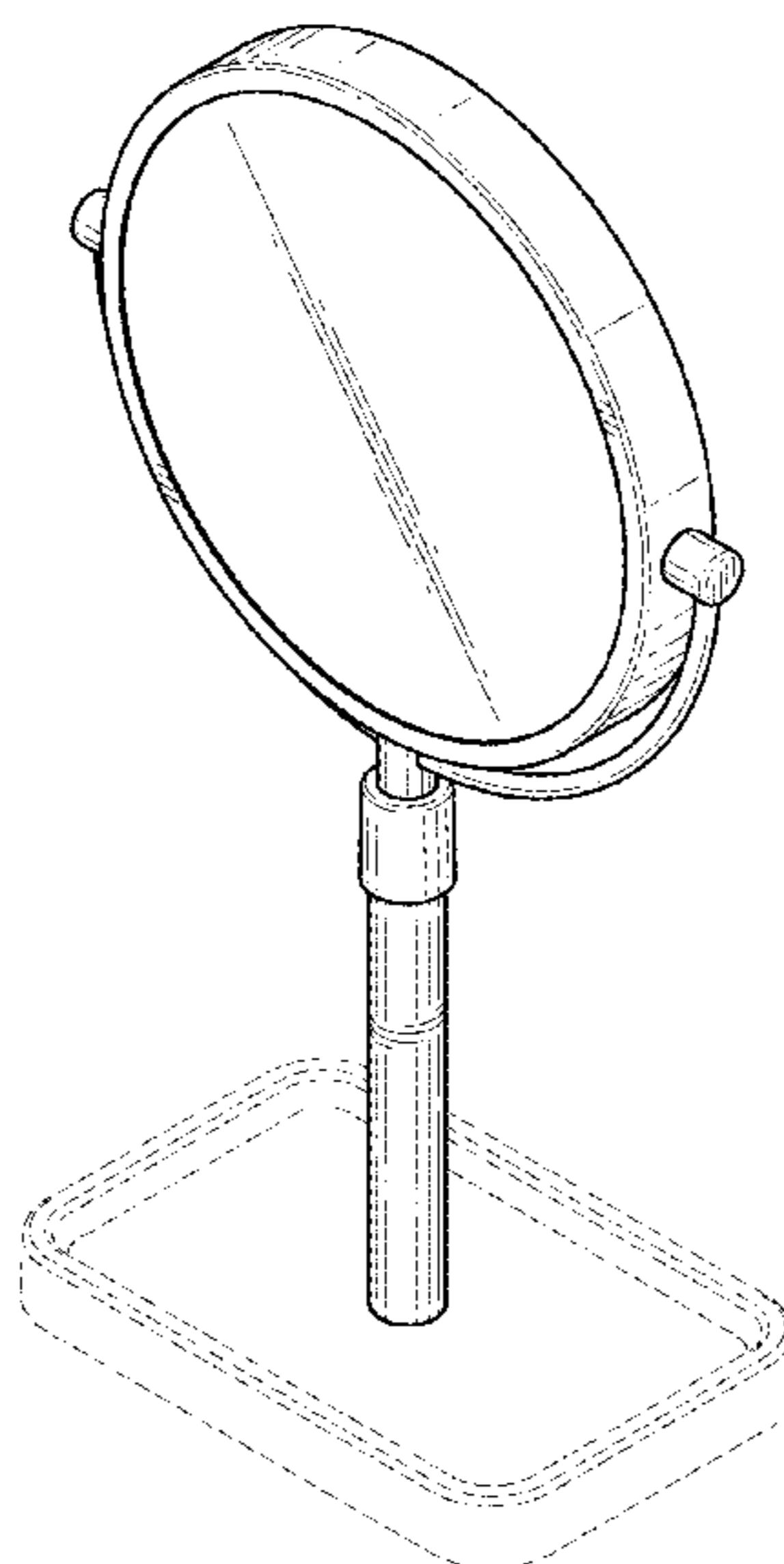
FIG. 7 is a front/right/top perspective view thereof in an extended configuration (a front/left/top perspective view would be a mirror image thereof);

FIG. 8 is a rear/left/bottom perspective view thereof (a rear/right/bottom perspective view would be a mirror image thereof); and,

FIG. 9 is a front elevational view thereof.

The broken lines show portions of the mirror that form no part of the claimed design.

1 Claim, 8 Drawing Sheets



(56)

References Cited

U.S. PATENT DOCUMENTS

D891,121 S * 7/2020 Zhao D6/309
D891,125 S * 7/2020 Liu D6/310
D897,694 S * 10/2020 Lin D6/309
D925,928 S * 7/2021 Yang D6/309
D932,781 S * 10/2021 Liu D6/309
D942,160 S * 2/2022 Jiang D6/309
D946,911 S * 3/2022 Yu D6/309
2013/0026512 A1* 1/2013 Tsai F21V 33/004
257/91
2014/0362562 A1* 12/2014 Fung A45D 42/08
362/135
2020/0333934 A1* 10/2020 Pestl F21V 33/0056
2021/0364892 A1* 11/2021 Copeland A45D 42/00

* cited by examiner

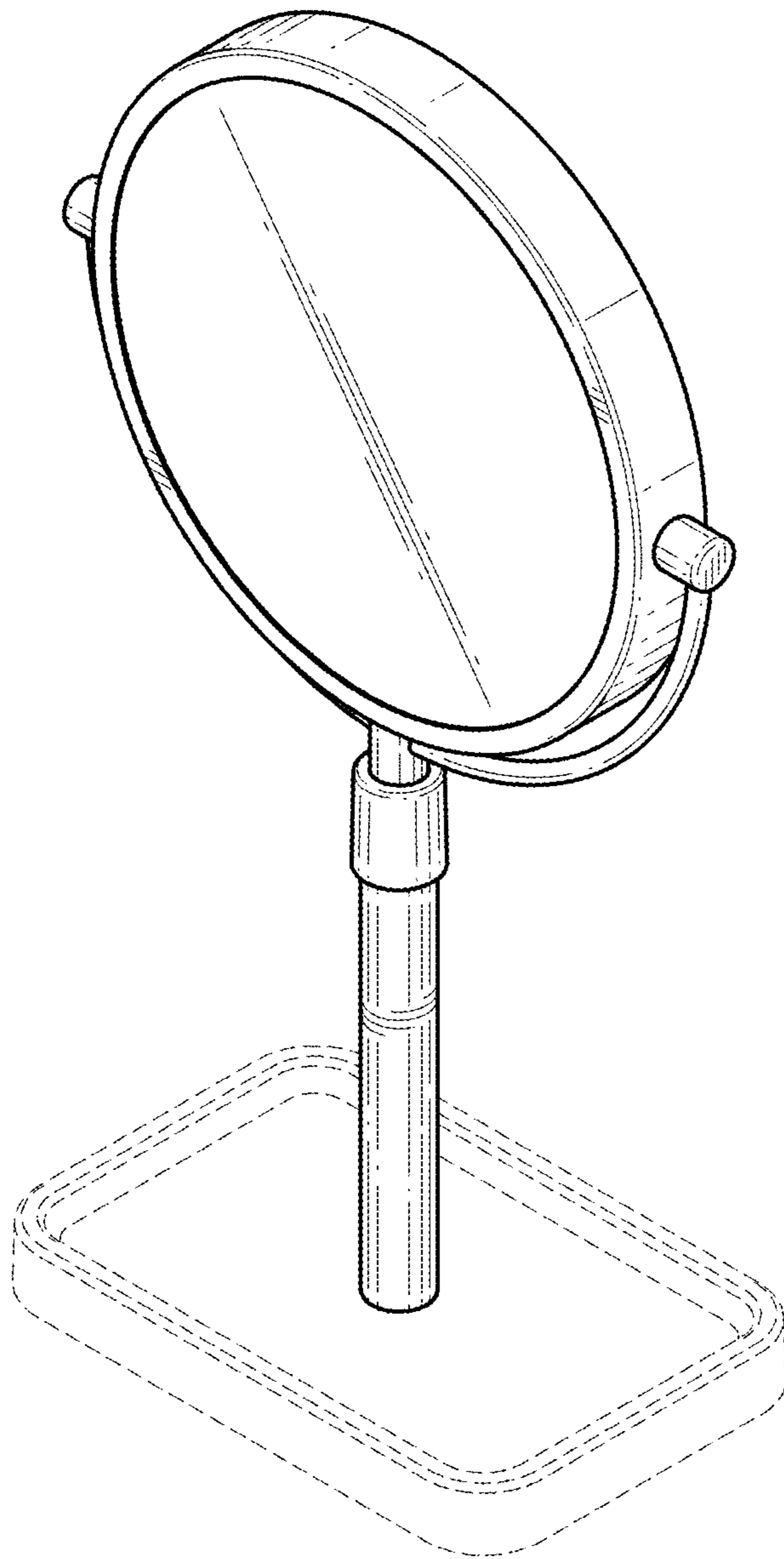


FIG. 1

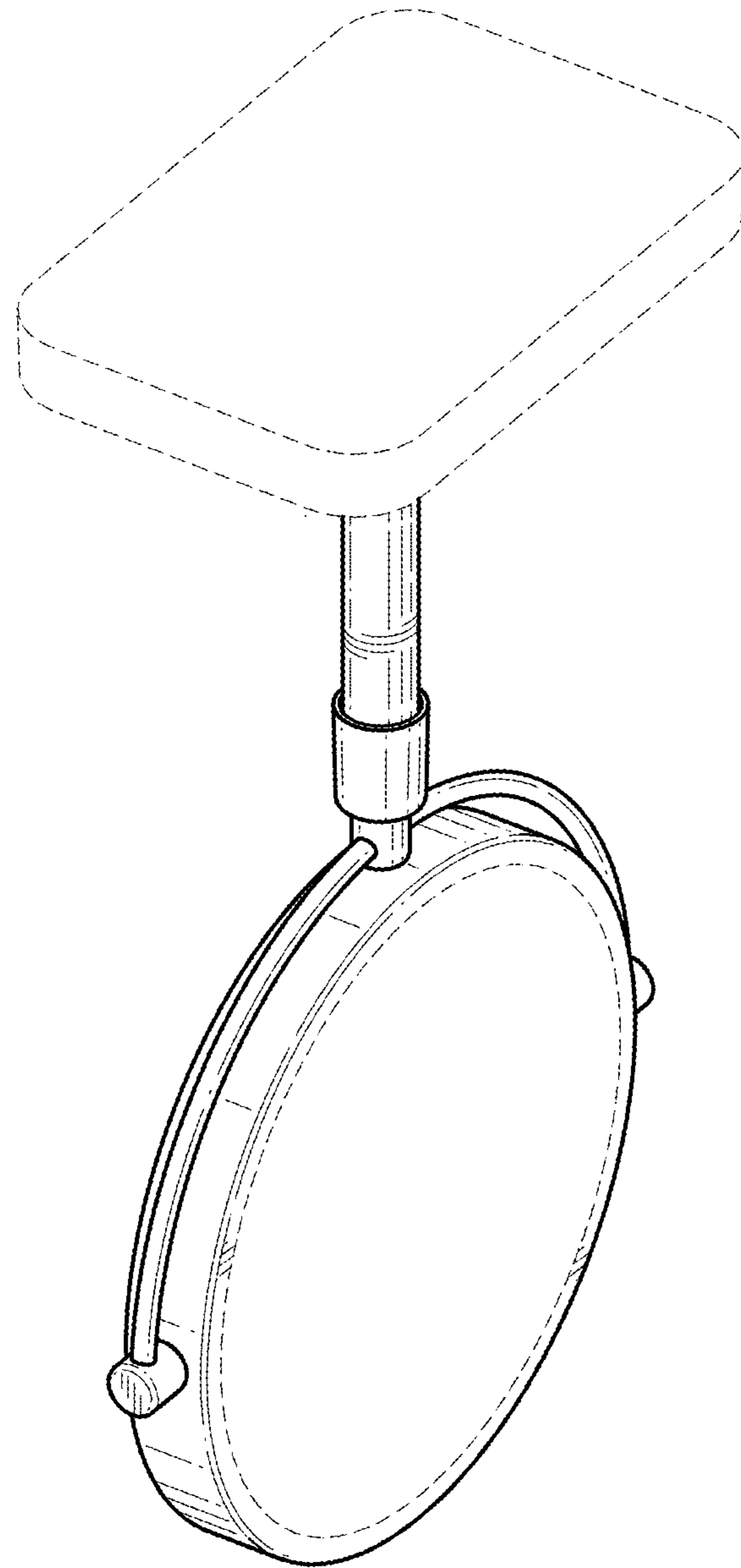


FIG. 2

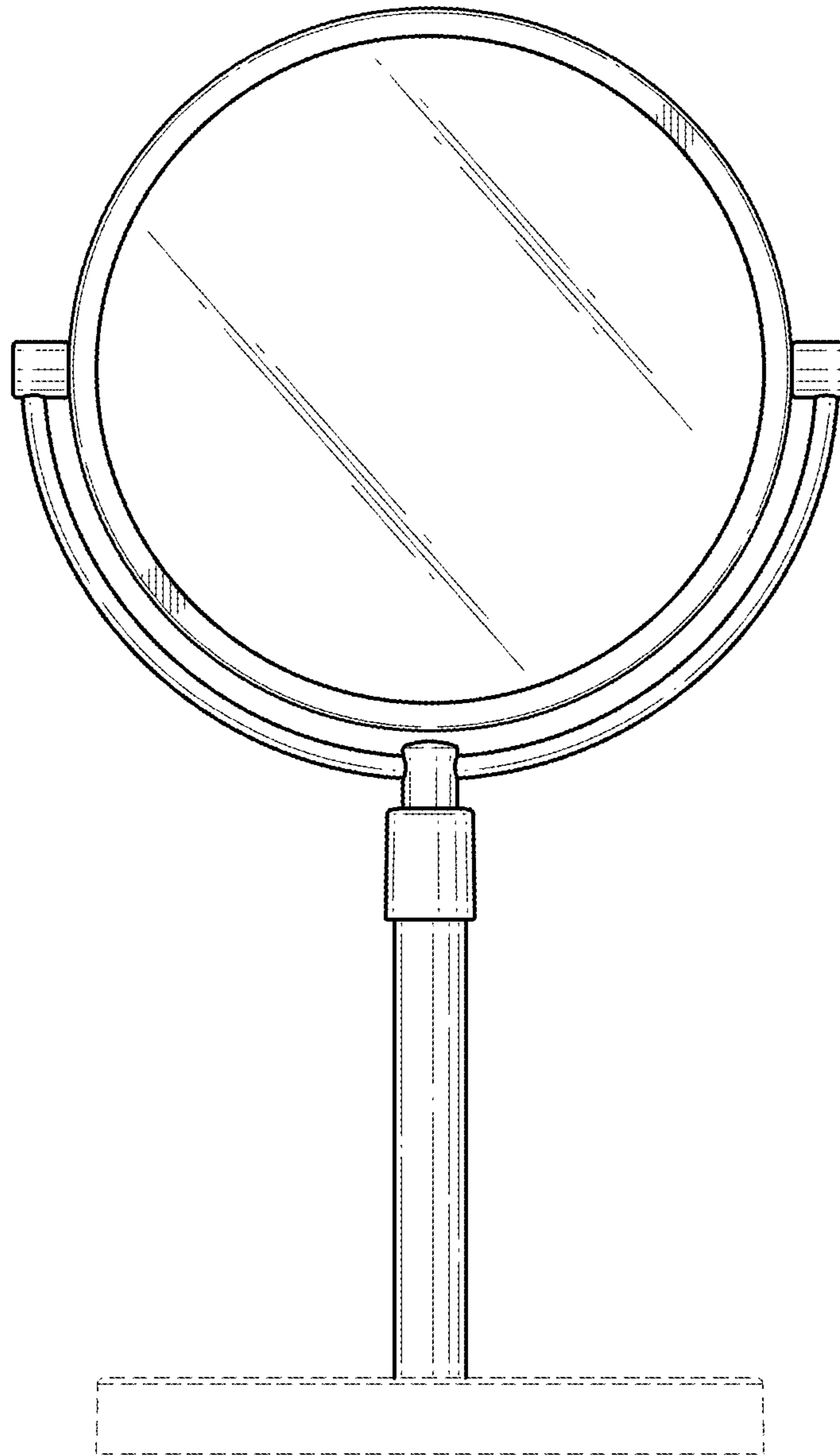


FIG. 3

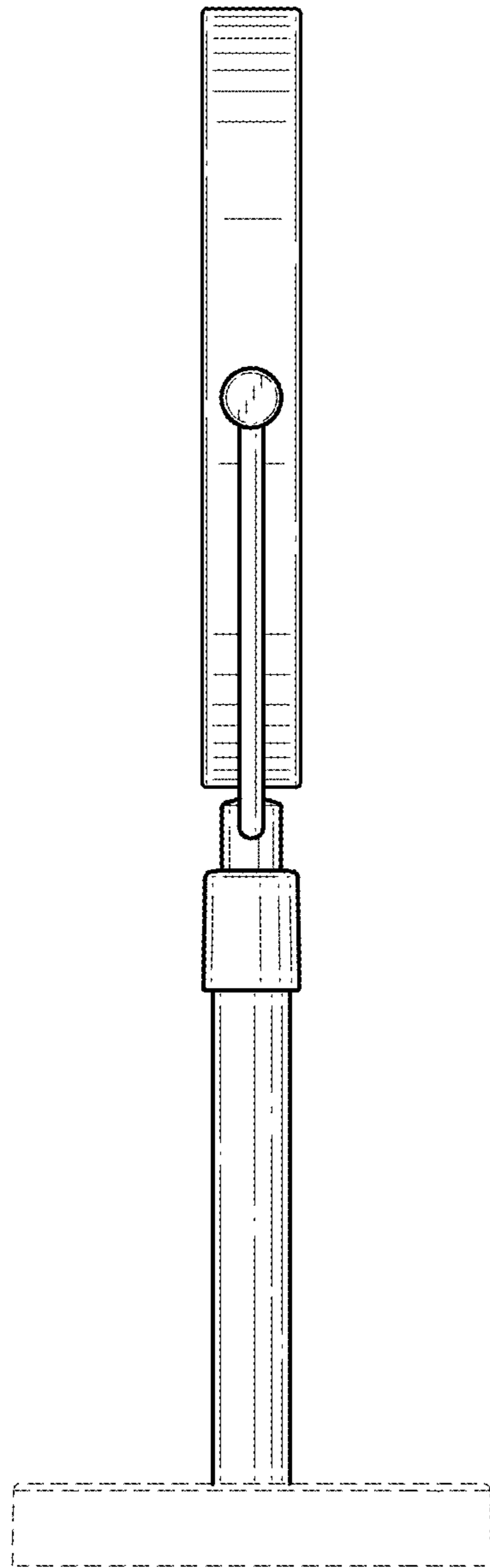


FIG. 4

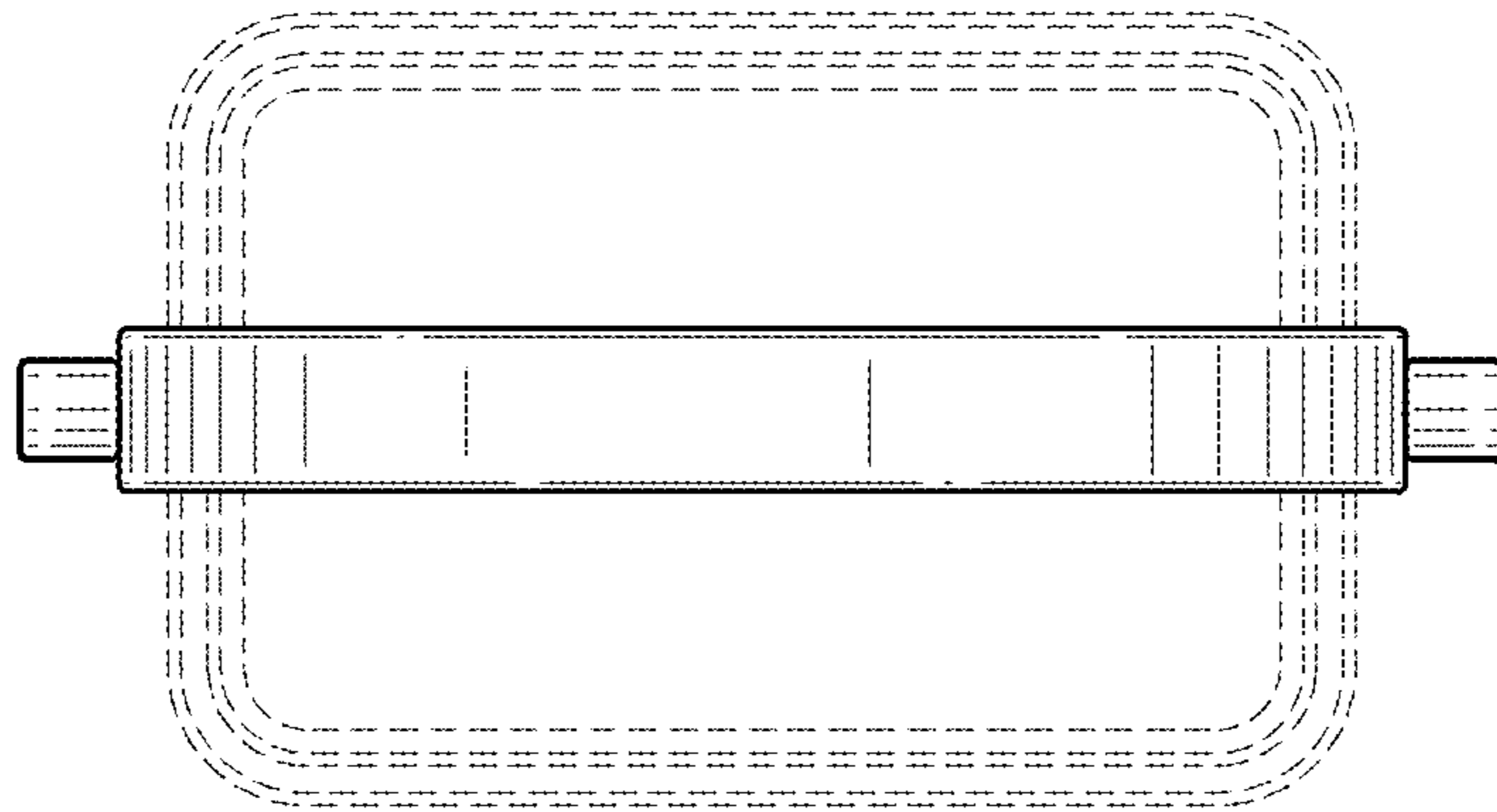


FIG. 5



FIG. 6

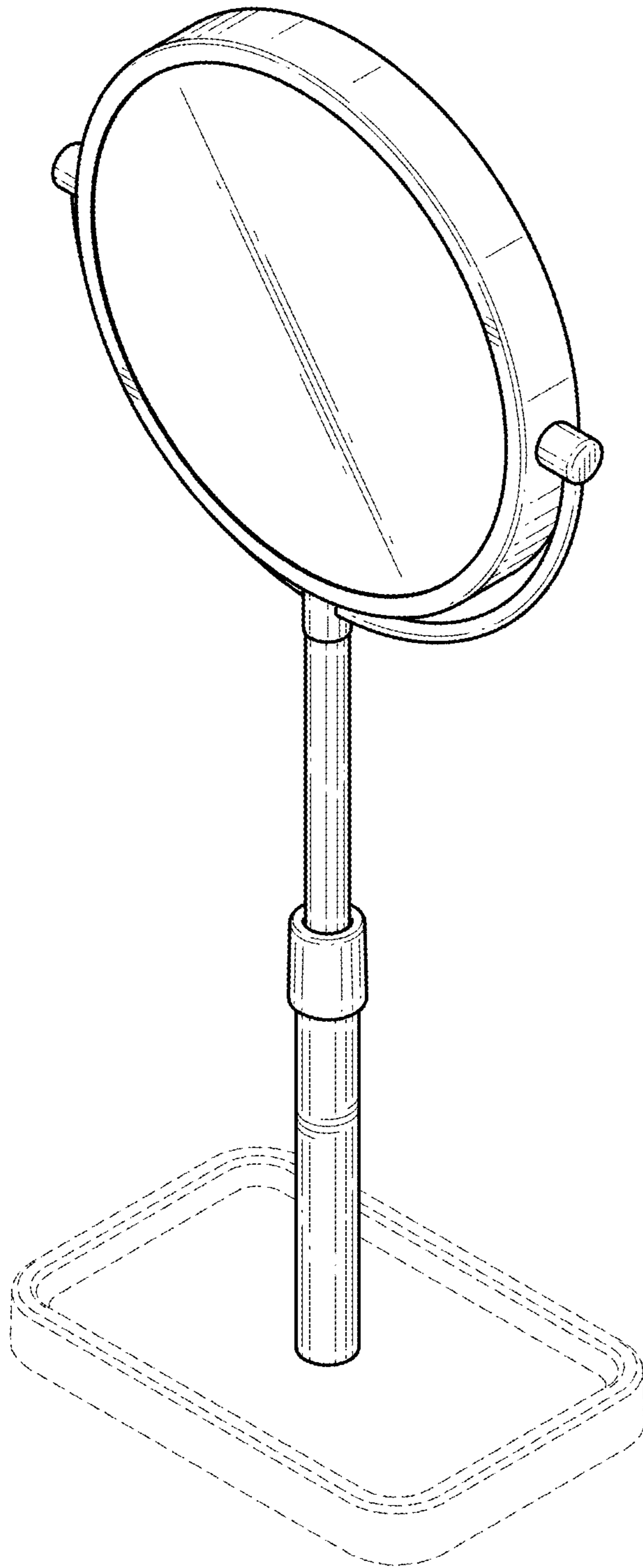


FIG. 7

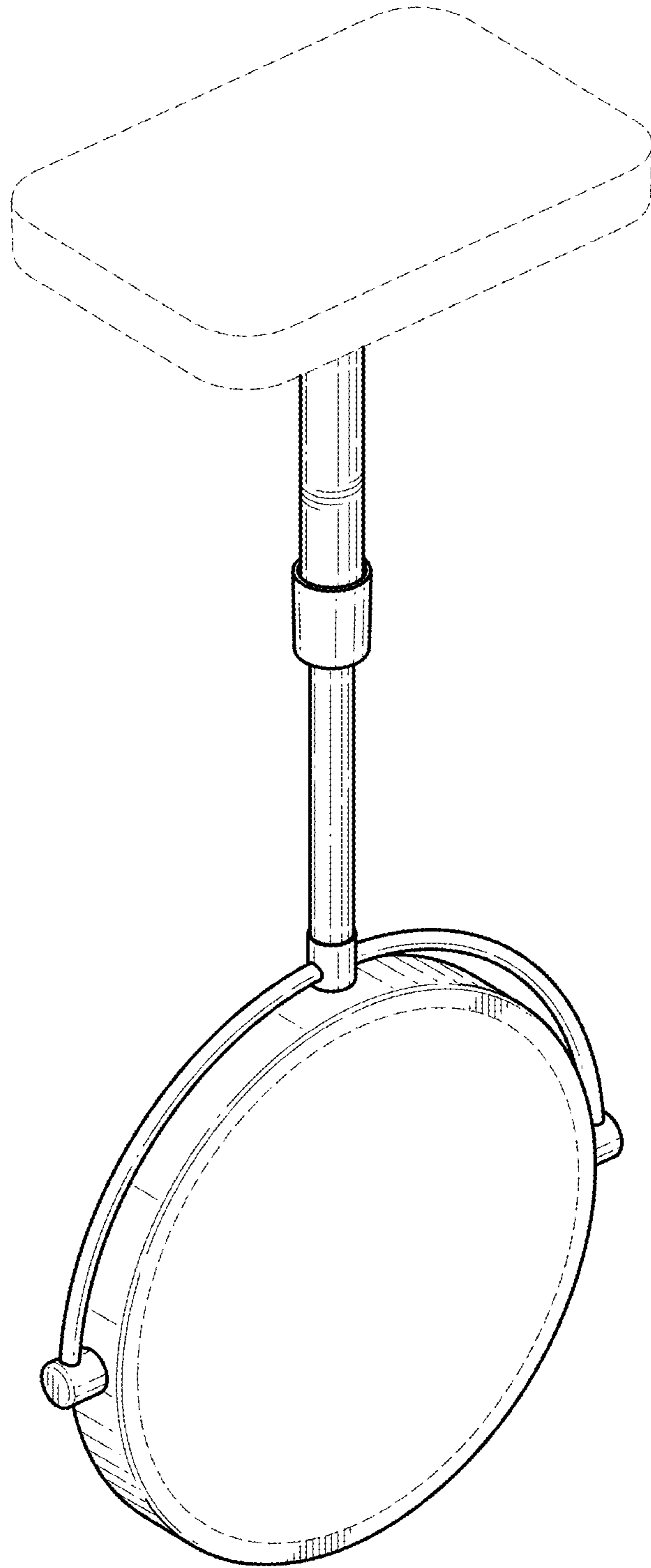


FIG. 8

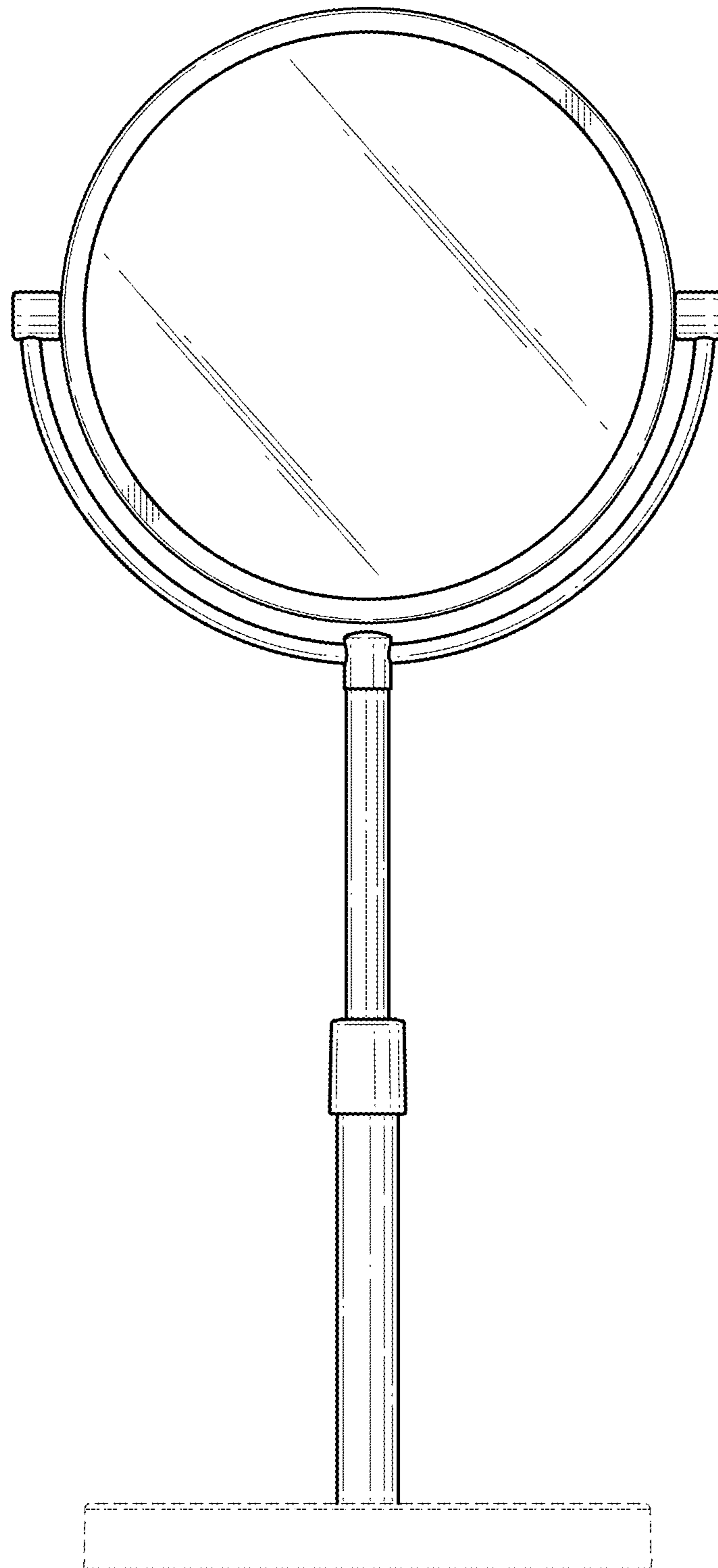


FIG. 9