



US00D974052S

(12) **United States Design Patent** (10) **Patent No.:** **US D974,052 S**
Liu (45) **Date of Patent:** **** Jan. 3, 2023**

(54) **MIRROR**

FOREIGN PATENT DOCUMENTS

(71) Applicant: **Xiaoyan Liu**, Shenzhen (CN)

CN 306508321 * 5/2021
CN 306740833 * 8/2021

(72) Inventor: **Xiaoyan Liu**, Shenzhen (CN)

(**) Term: **15 Years**

OTHER PUBLICATIONS

(21) Appl. No.: **29/808,127**

Fascinate Handheld Mirror, product availability unknown [online], picture review May 11, 2022 [online], [site visited Oct. 17, 2022]: URL:<https://us.amazon.com/gp/product/B09WD2RYW9/ref=sw_img_1?smid=A1RQF4MTE46TO3&psc=1> (Year: 2022).*
Shein Basic Living 1pc LED Portable Mirror, product availability unknown [online], picture review Oct. 15, 2022 [online], [site visited Oct. 17, 2022]:URL:<https://id.shein.com/BASIC-LIVING-1pc-LED-Portable-Mirror-Without-Battery-p-10650811-cat-3049.html> (Year: 2022).*

(22) Filed: **Sep. 17, 2021**

(51) **LOC (14) Cl.** **06-07**

(52) **U.S. Cl.**

USPC **D6/309**; D28/64.6

(58) **Field of Classification Search**

USPC D6/300-314, 321, 568; D16/135;
D28/64.1-64.7

CPC A47G 1/02; A47G 1/04; A47G 2001/007;
A47G 2200/08; A47G 2200/085; A45D
42/00; A45D 42/02; A45D 42/04; A45D
42/06; A45D 42/08; A45D 42/10; A45D
42/12; A45D 42/14; A45D 42/16; A45D
42/18

See application file for complete search history.

* cited by examiner

Primary Examiner — Bao-Yen T Nguyen

Assistant Examiner — Loryn K. Leblanc

(57) **CLAIM**

The ornamental design for a mirror, as shown and described.

DESCRIPTION

FIG. 1 is a perspective view of a mirror showing my new design;

FIG. 2 is another perspective view thereof;

FIG. 3 is a front elevational view thereof;

FIG. 4 is a rear elevational view thereof;

FIG. 5 is a left side elevational view thereof;

FIG. 6 is a right side elevational view thereof;

FIG. 7 is a top plan view thereof;

FIG. 8 is a bottom plan view thereof; and,

FIG. 9 is a perspective view of the mirror where the mirror is in a folded state.

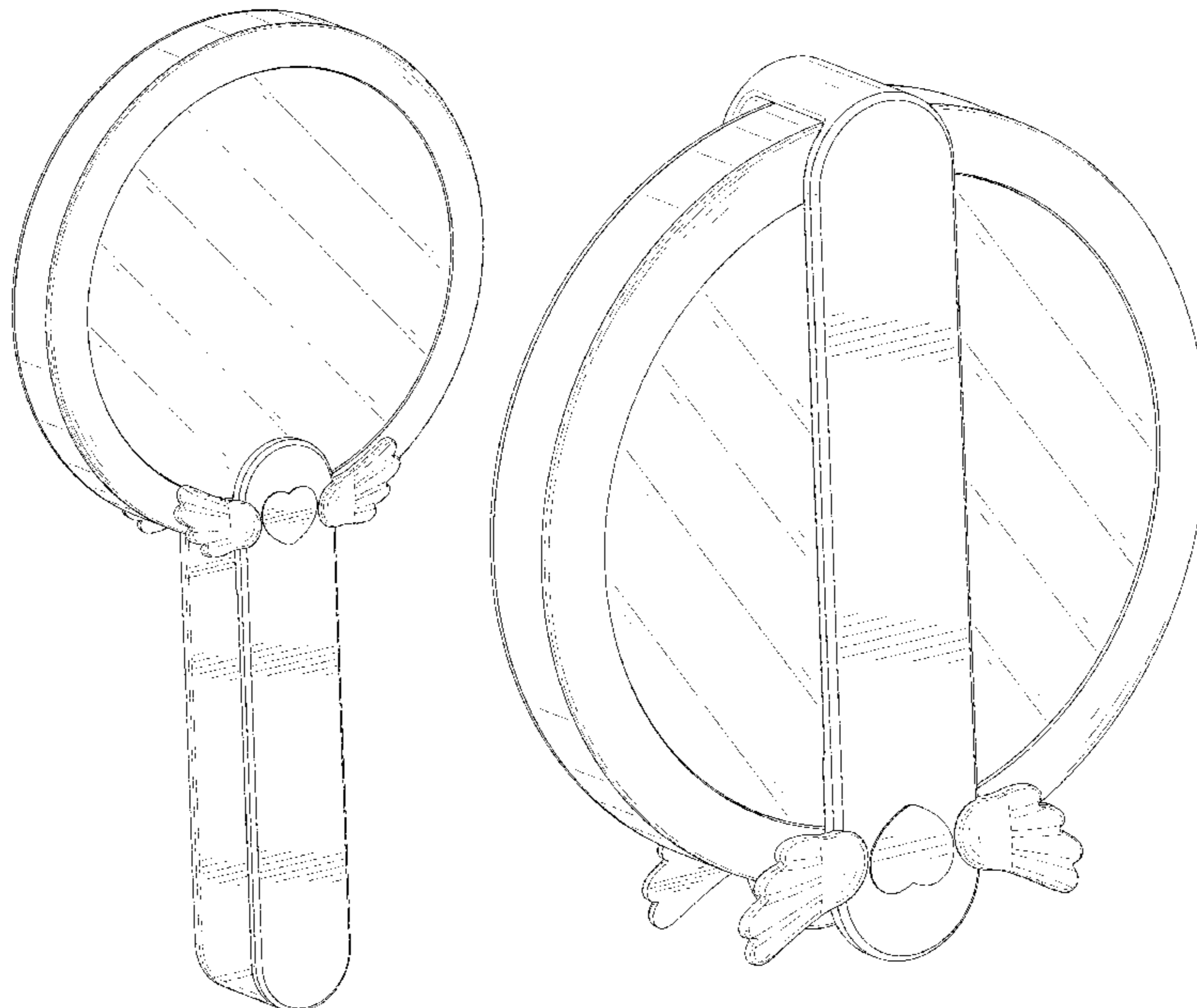
The broken lines in the drawings depict portions of the mirror that form no part of the claimed design.

(56) **References Cited**

U.S. PATENT DOCUMENTS

D241,684 S * 9/1976 Rose D12/189
D275,972 S * 10/1984 Bahier 273/144 B
D324,060 S * 2/1992 Huang D16/135
D463,824 S * 10/2002 Kan D6/309
D546,567 S * 7/2007 Bhavnani D6/309
D637,220 S * 5/2011 Levine D16/135
D665,438 S * 8/2012 Jim D16/135
D742,275 S * 11/2015 Huang D11/43
D878,776 S * 3/2020 Liu D6/309
D894,615 S 9/2020 Yang
D895,305 S 9/2020 Yang
D948,796 S * 4/2022 Liu D28/64.6

1 Claim, 9 Drawing Sheets



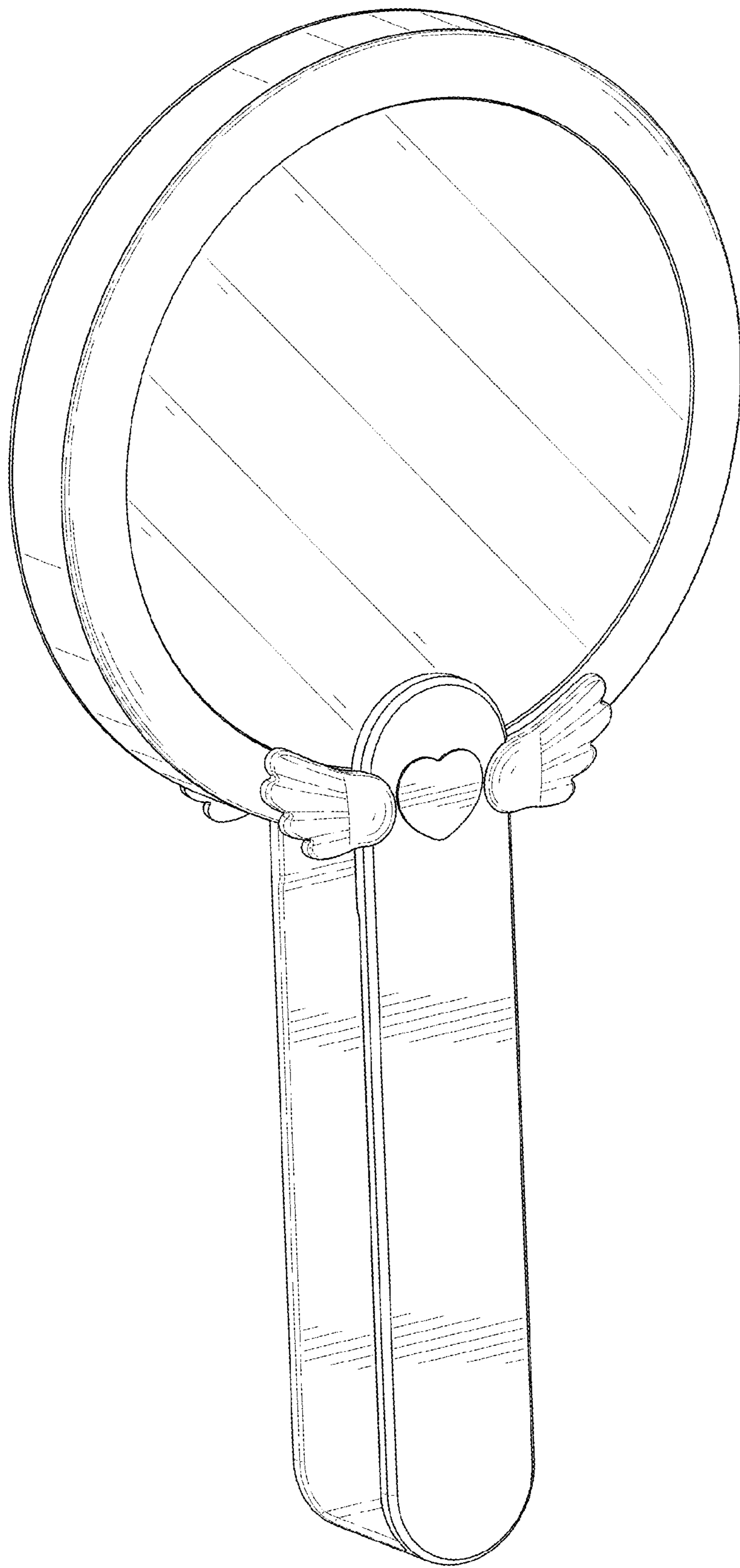


FIG. 1

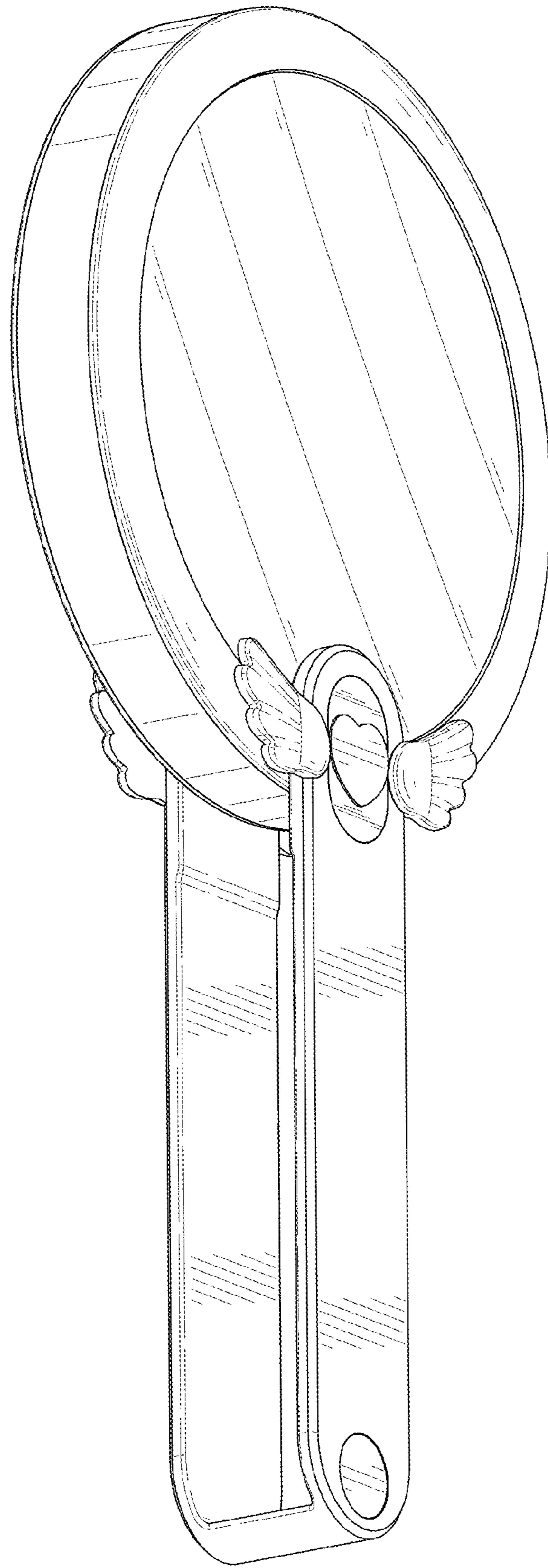


FIG. 2

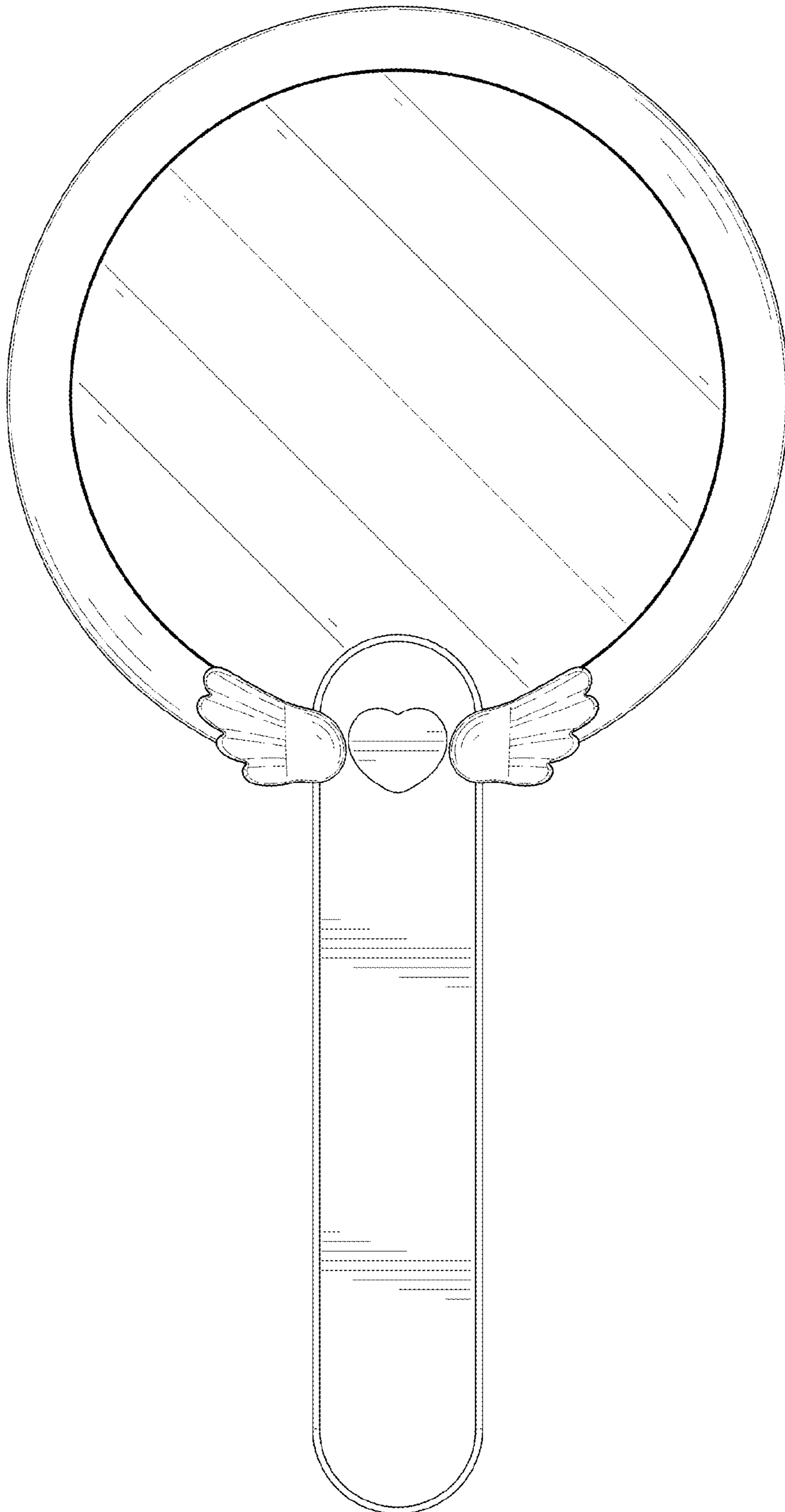


FIG. 3

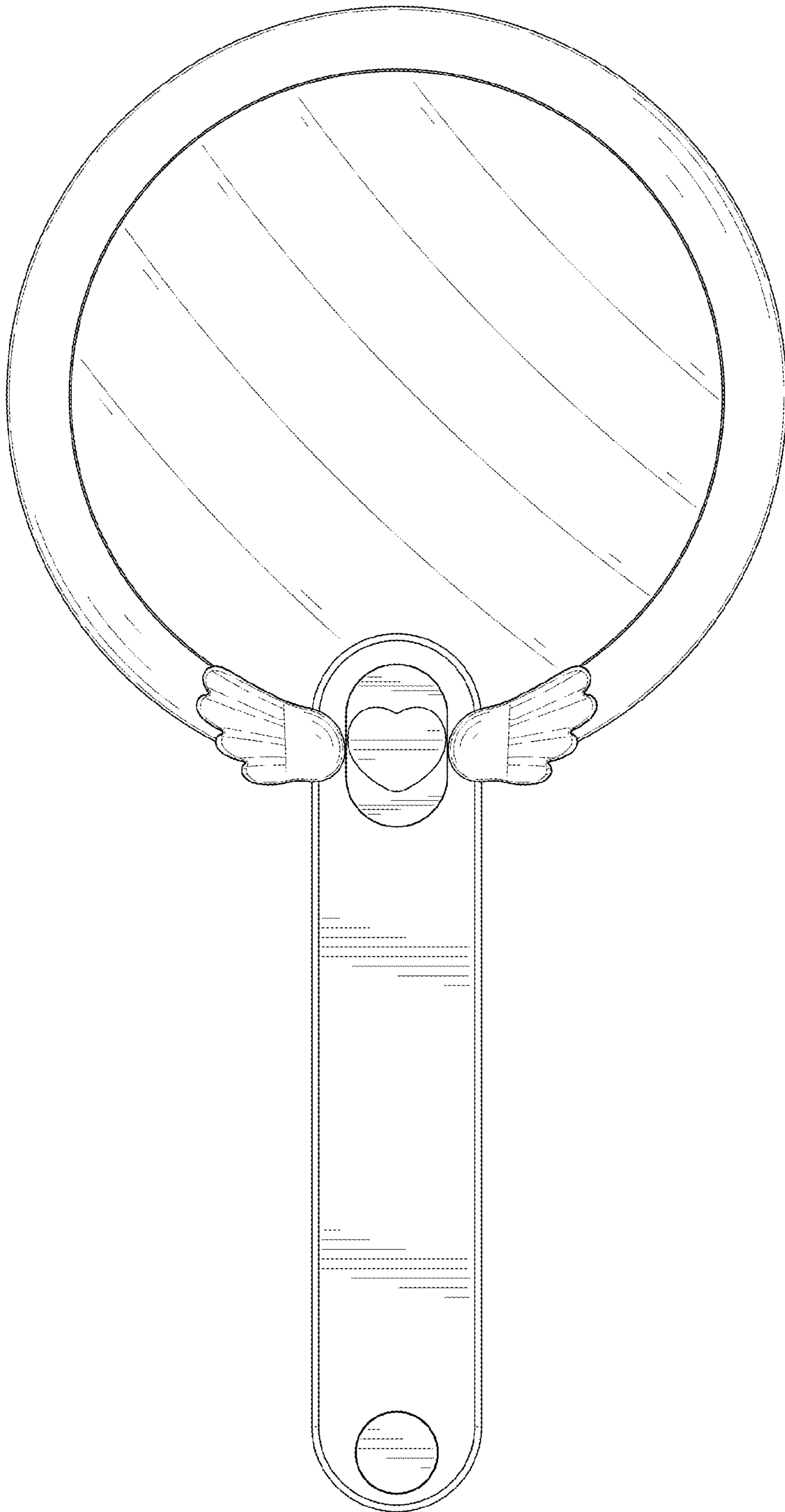


FIG. 4

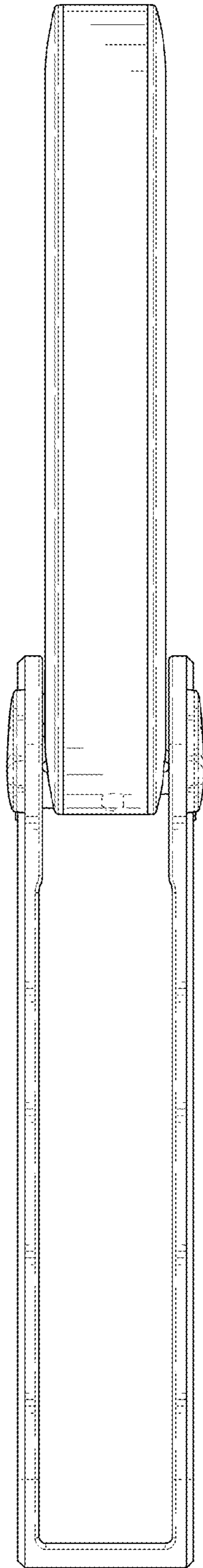


FIG. 5

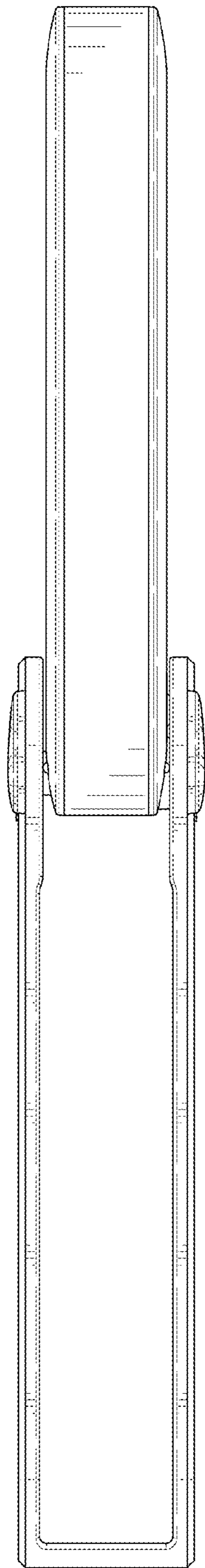


FIG. 6

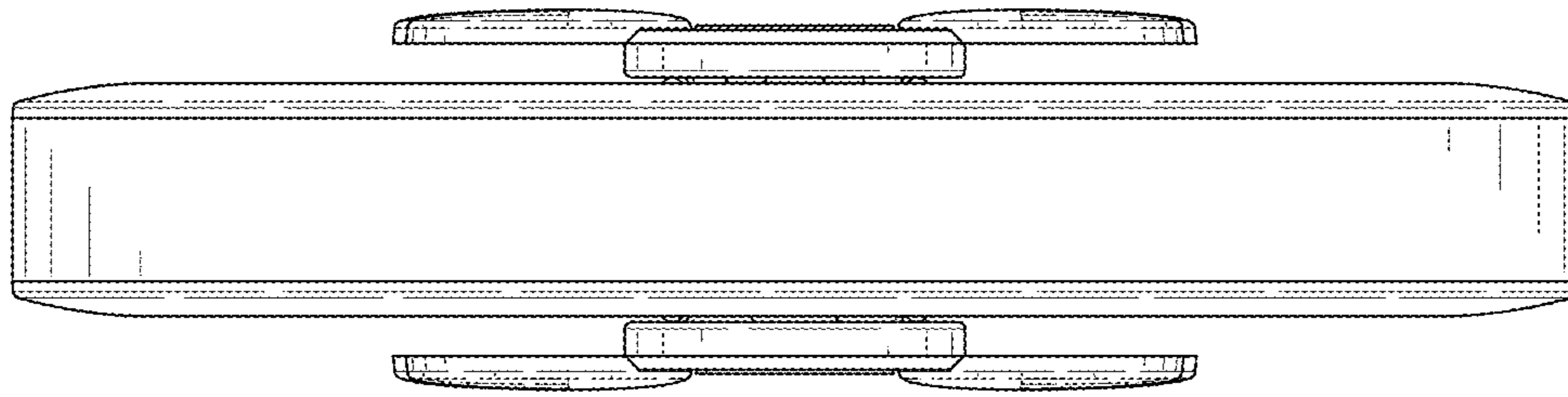


FIG. 7

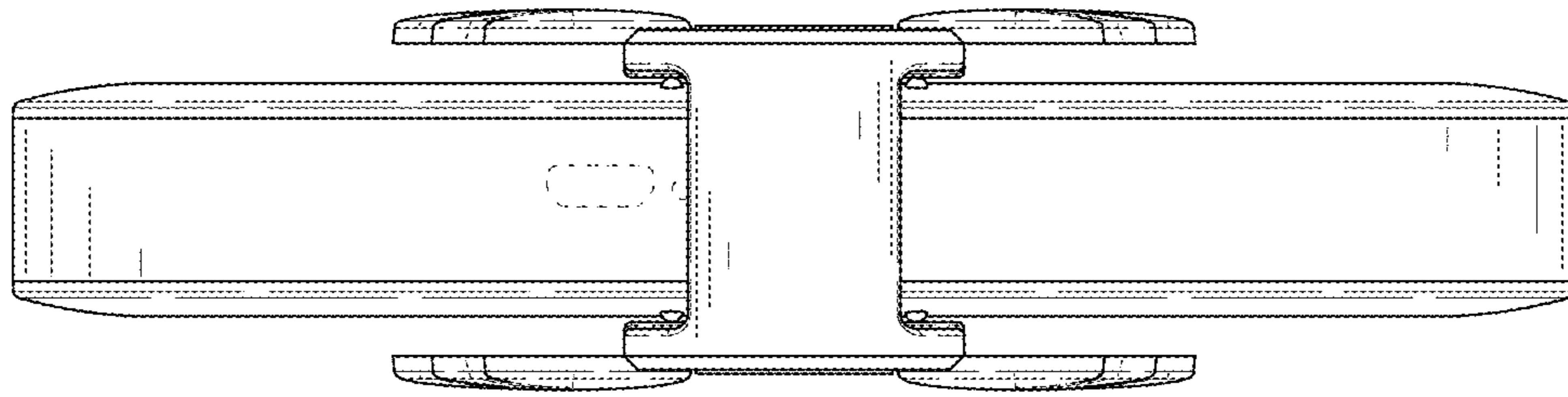


FIG. 8

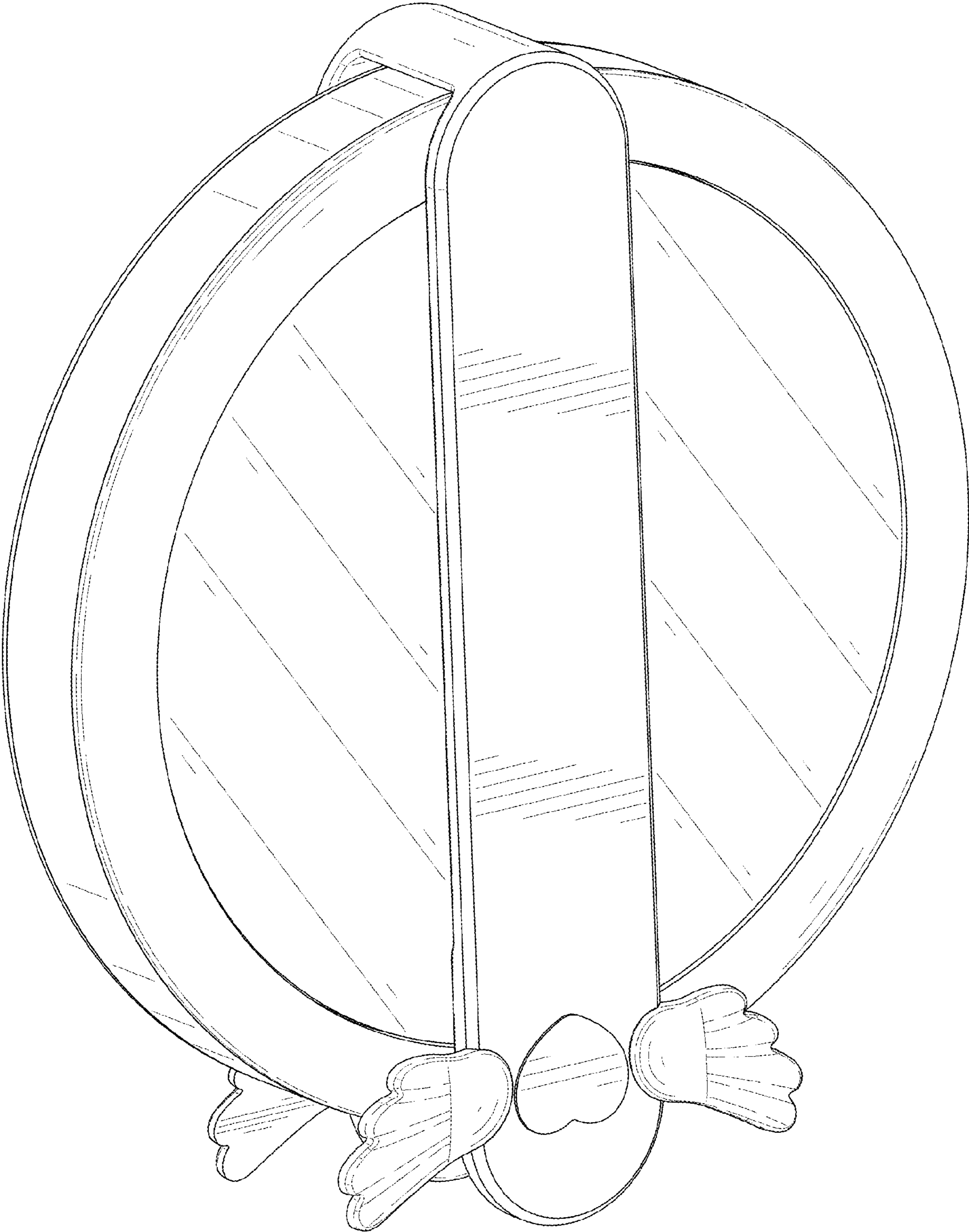


FIG. 9