



US00D974045S

(12) **United States Design Patent**
Shearrill

(10) **Patent No.:** **US D974,045 S**

(45) **Date of Patent:** **** Jan. 3, 2023**

(54) **HAIR COMB**

(71) Applicant: **Reuben L Shearrill**, Aubrey, TX (US)

(72) Inventor: **Reuben L Shearrill**, Aubrey, TX (US)

(**) Term: **15 Years**

(21) Appl. No.: **29/747,224**

(22) Filed: **Aug. 20, 2020**

(51) **LOC (14) Cl.** **04-01**

(52) **U.S. Cl.**

USPC **D4/117; D28/25; D4/119**

(58) **Field of Classification Search**

USPC D4/116-121, 130, 132, 134, 137, 138,
D4/105, 106, 108; D32/35, 40-42, 46,
D32/49, 51, 52; D28/25, 29-31

CPC .. A46B 3/18; A46B 5/00; A46B 9/021; A46B
11/00; A46B 11/0003; A46B 2200/1053;
A45D 40/26; A45D 40/265

See application file for complete search history.

(56) **References Cited**

U.S. PATENT DOCUMENTS

2,272,151	A *	2/1942	Hertzberg	A45D 24/18 132/122
D159,106	S *	6/1950	Stamp	132/122
D183,167	S *	7/1958	Gore	D4/117
D191,498	S *	10/1961	Chamberlain	D4/118
D197,638	S *	3/1964	Lardenois	D4/117

D221,038	S *	6/1971	Tucker	D4/117
D268,225	S *	3/1983	Ellenson	D28/25
D282,604	S *	2/1986	Whitaker	D4/118
D360,989	S *	8/1995	Laubach, III	D4/138
D428,257	S *	7/2000	Harada	D4/138
D793,622	S *	8/2017	Villarreal	A45D 24/18 D28/21

* cited by examiner

Primary Examiner — Keli L Hill

(74) *Attorney, Agent, or Firm* — Barry Choobin; Patent
360

(57) **CLAIM**

The ornamental design for a hair comb, as shown and described.

DESCRIPTION

FIG. 1 is a front view of a first embodiment of the hair comb, showing my new design.

FIG. 2 is a rear view thereof;

FIG. 3 is a right-side view thereof;

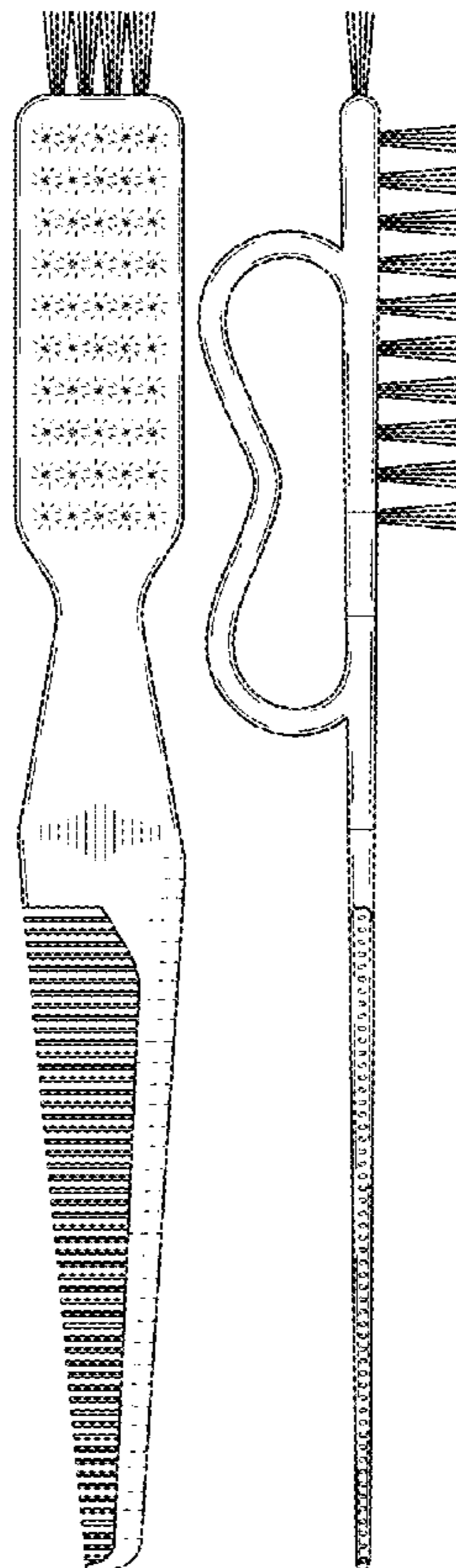
FIG. 4 is a left-side view thereof;

FIG. 5 is a top view thereof; and,

FIG. 6 is a bottom view thereof.

The broken lines are used to show a measurement scale that is not being claimed, and thus form no part of the claimed design.

1 Claim, 2 Drawing Sheets



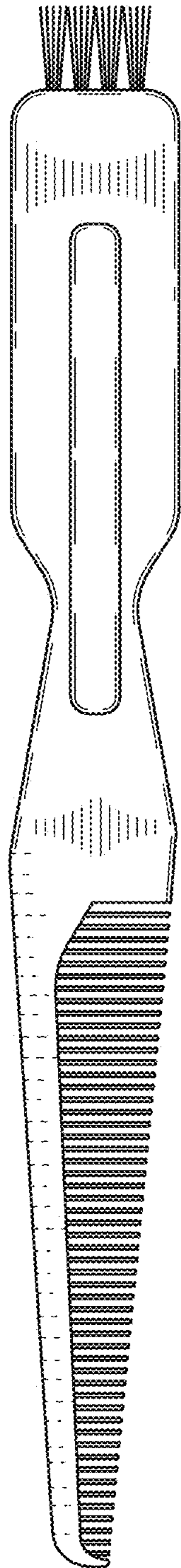


FIG. 1

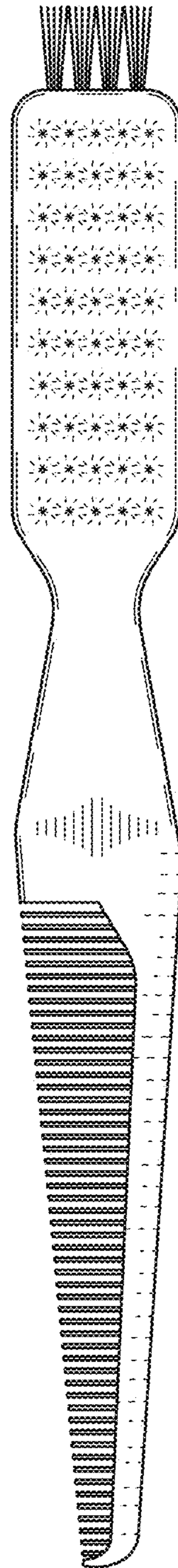


FIG. 2

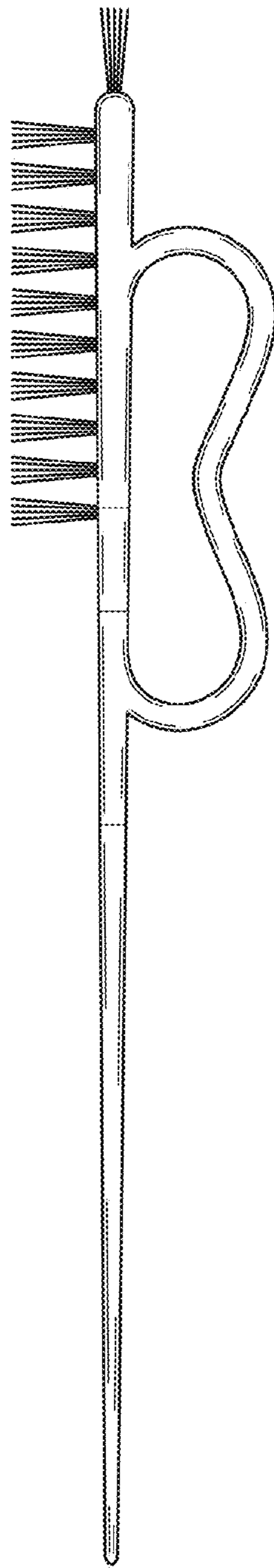


FIG. 3

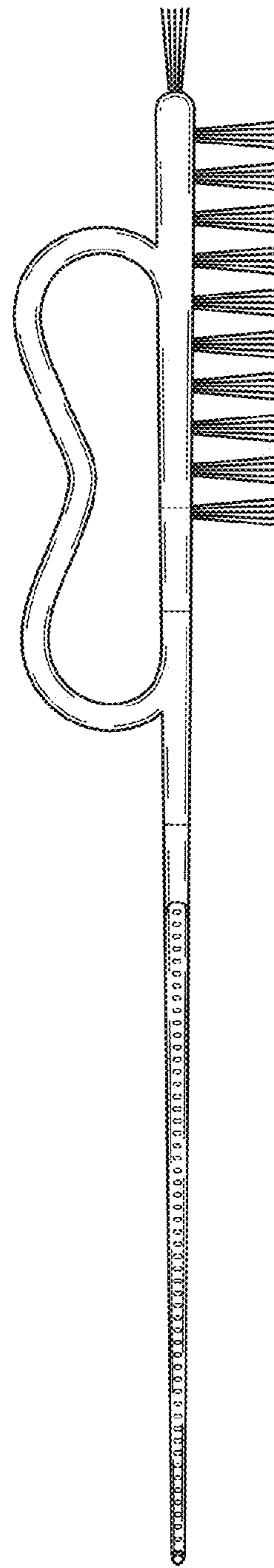


FIG. 4

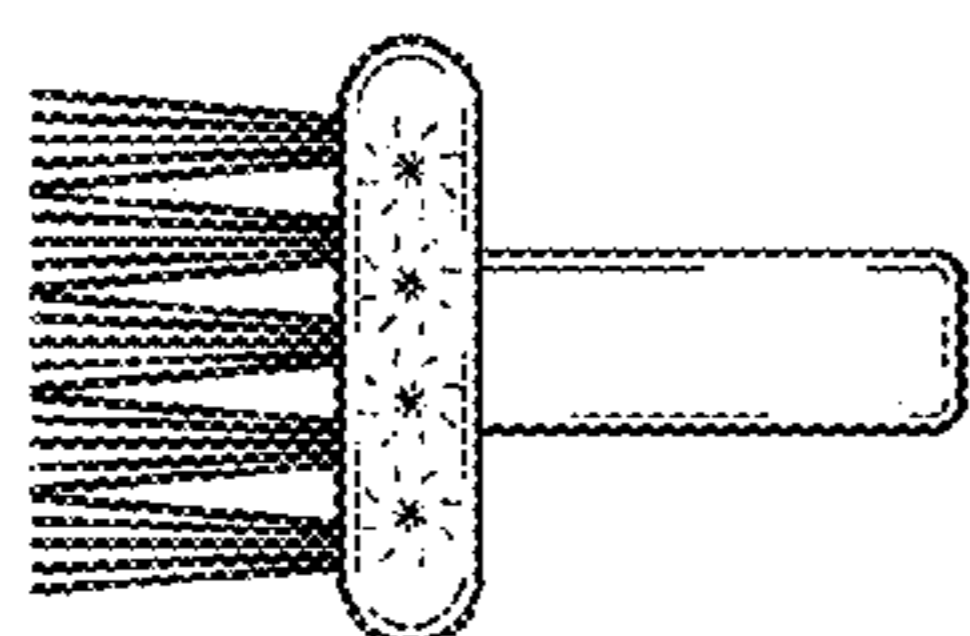


FIG. 5

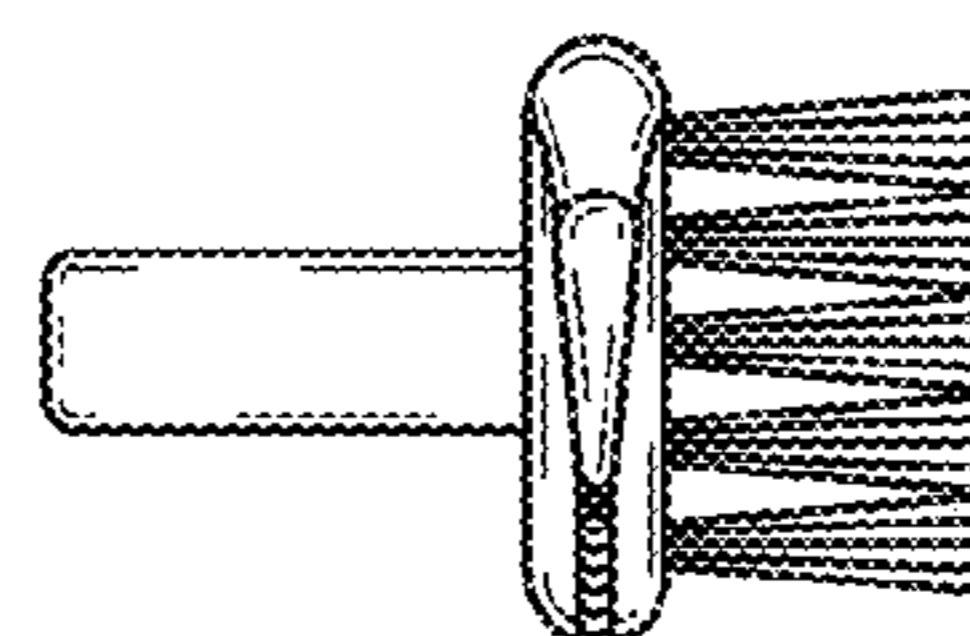


FIG. 6