



US00D974042S

(12) **United States Design Patent** (10) **Patent No.:** **US D974,042 S**  
**Hinds** (45) **Date of Patent:** **\*\* Jan. 3, 2023**

(54) **HEATED AIR HAIR BRUSH**

FOREIGN PATENT DOCUMENTS

(71) Applicant: **CONAIR CORPORATION**, Stamford, CT (US)

EP 001135875-0002 5/2009  
EP 001135875-0003 5/2009

(72) Inventor: **Kristen L. Hinds**, Cos Cob, CT (US)

OTHER PUBLICATIONS

(73) Assignee: **Conair LLC**, Stamford, CT (US)

Hot Tools Brush, announced 2020 [online], [site visited Apr. 10, 2022]. Available from internet, URL: <https://www.sallybeauty.com/tools-and-brushes/hair-dryers/one-step-oval-hair-dryer-and-styler/SBS-510141.html> (Year: 2020).\*

(\*\*) Term: **15 Years**

(Continued)

(21) Appl. No.: **29/764,708**

(22) Filed: **Dec. 31, 2020**

*Primary Examiner* — Cynthia Ramirez

*Assistant Examiner* — Tamara L Hahn

(51) **LOC (14) Cl.** ..... **04-02**

(74) *Attorney, Agent, or Firm* — Ruggiero McAllister & McMahon LLC

(52) **U.S. Cl.**

USPC ..... **D4/100**

(58) **Field of Classification Search**

USPC ..... D4/100, 102, 109, 111, 117, 127, 128, D4/130, 132, 133, 138, 199; D28/15, 18, D28/24

CPC ..... A46B 2200/104; A46B 2200/1006; A46B 2200/10; A46B 15/003; A45D 20/48; A45D 1/04; A45D 24/007; A45D 2/001; A45D 2/002

See application file for complete search history.

(57) **CLAIM**

The ornamental design for a heated air hair brush, as shown and described.

**DESCRIPTION**

FIG. 1 is a front perspective view of an ornamental design for a heated air hair brush according to the present invention; FIG. 2 is a top plan view of the heated air hair brush of FIG. 1;

FIG. 3 is a bottom plan view of the heated air hair brush of FIG. 1;

FIG. 4 is a left side elevational view of the heated air hair brush of FIG. 1;

FIG. 5 is a right side elevational view of the heated air hair brush of FIG. 1;

FIG. 6 is a front elevational view of the heated air hair brush of FIG. 1; and,

FIG. 7 is a rear elevational view of the heated air hair brush of FIG. 1.

The broken lines in the drawings depict portions of the heated air hair brush which form no part of the claimed design.

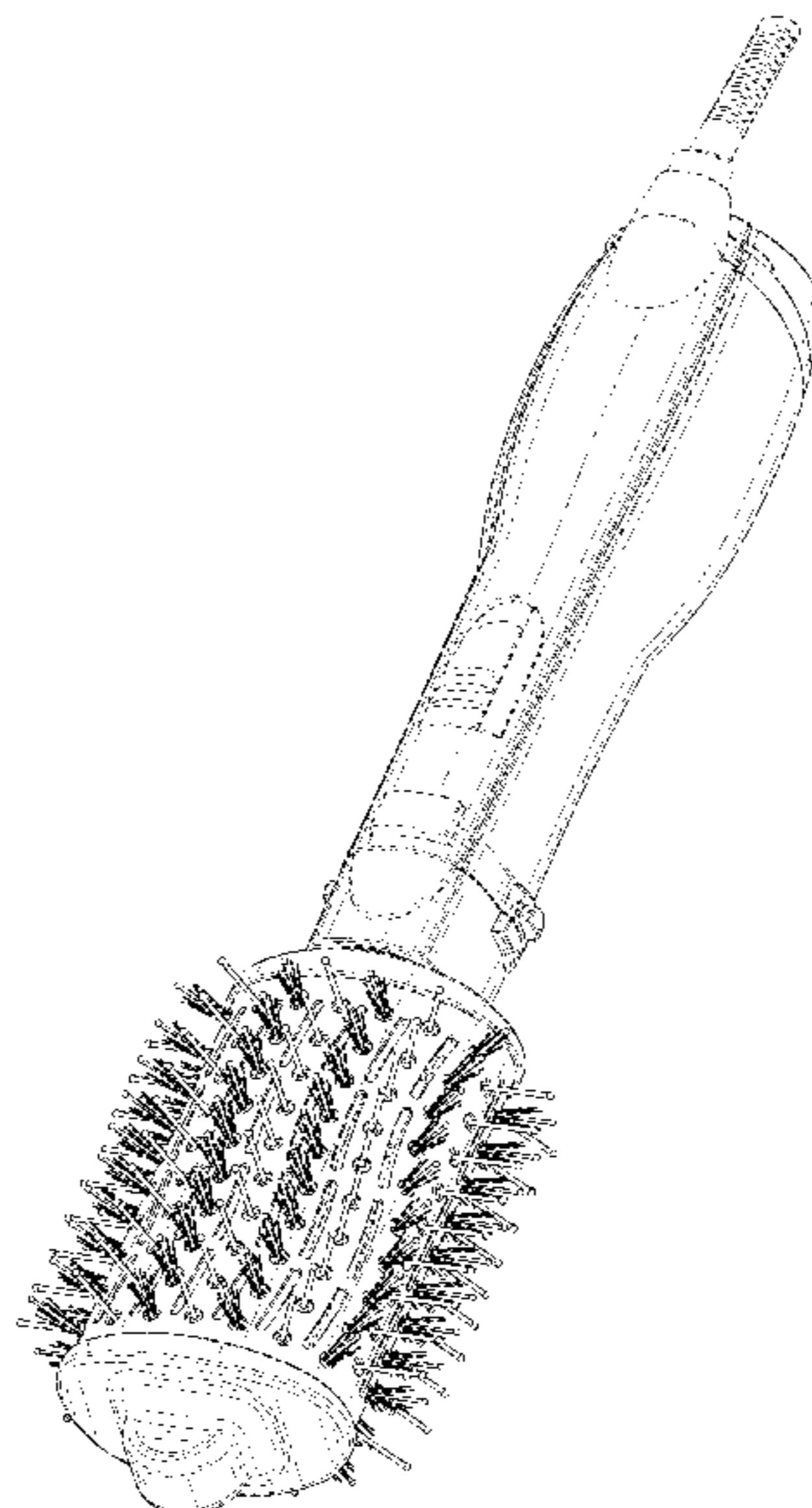
(56) **References Cited**

U.S. PATENT DOCUMENTS

3,890,984 A	6/1975	Lesetar
4,023,578 A	5/1977	Buhler
4,217,915 A	8/1980	Gress et al.
4,280,517 A	7/1981	Ihara
4,314,137 A	2/1982	Dorn
4,329,567 A	5/1982	Kunz et al.
D299,279 S	1/1989	Reeves et al.
4,936,027 A	6/1990	Tsuji
D314,064 S	1/1991	Ho
5,133,372 A	7/1992	Seja et al.
D334,666 S	4/1993	Bell et al.

(Continued)

**1 Claim, 6 Drawing Sheets**



(56)

References Cited

U.S. PATENT DOCUMENTS

5,212,366 A 5/1993 McDougall  
 5,222,272 A 6/1993 Park  
 D366,761 S 2/1996 Gertsma et al.  
 D383,245 S 9/1997 Seifert  
 5,765,575 A 6/1998 Denebeim  
 D409,796 S 5/1999 Moreno  
 D421,508 S 3/2000 Moreno  
 D430,348 S 8/2000 Moreno  
 D469,257 S 1/2003 Cheung  
 D484,702 S 1/2004 Ramos  
 7,096,598 B1 8/2006 Myatt  
 7,296,580 B1 11/2007 Sbardella  
 D648,893 S 11/2011 Kaizuka  
 D670,027 S 10/2012 Choi  
 8,573,231 B2 11/2013 Ragosta et al.  
 D694,952 S 12/2013 Choi  
 8,602,038 B2 12/2013 Choi  
 D698,994 S 2/2014 Xu  
 D705,483 S 5/2014 Xu  
 9,107,492 B2 8/2015 Ragosta et al.  
 9,289,054 B2 3/2016 Ragosta et al.  
 9,414,661 B2 8/2016 Keong  
 D776,345 S 1/2017 Tang  
 9,609,941 B2 4/2017 Ragosta et al.  
 D800,454 S 10/2017 Mathieu  
 D817,643 S 5/2018 Valle et al.  
 10,098,433 B2 10/2018 Habibi  
 D852,416 S 6/2019 Coulton et al.  
 D859,739 S 9/2019 Bourgeois  
 D879,374 S 3/2020 Liao

D880,061 S 3/2020 Liao  
 D890,425 S 7/2020 Liao  
 D899,781 S 10/2020 Liang  
 D901,772 S 11/2020 Huang  
 D901,898 S 11/2020 Zhanye  
 D902,482 S 11/2020 Koenemann et al.  
 D902,603 S 11/2020 Zhanye  
 D903,941 S 12/2020 Koenemann et al.  
 D908,956 S \* 1/2021 Kwok ..... D28/35  
 D915,775 S \* 4/2021 Moon ..... D4/128  
 D916,368 S \* 4/2021 Koenemann ..... D4/133  
 D916,370 S \* 4/2021 Zhang ..... D4/133  
 D921,291 S \* 6/2021 Zhang ..... D4/133  
 D941,526 S \* 1/2022 Hillebrecht ..... D28/35  
 D942,757 S \* 2/2022 Zhang ..... D28/35  
 D951,647 S \* 5/2022 Xiao ..... D4/133  
 D954,445 S \* 6/2022 Zhao ..... D4/128  
 D957,055 S \* 7/2022 Zheng ..... D28/35  
 2003/0052115 A1 3/2003 Leung  
 2010/0263223 A1 10/2010 Wynne  
 2016/0100681 A1 4/2016 Smal  
 2017/0112271 A1 4/2017 Gulamani  
 2018/0049533 A1 2/2018 Tang

OTHER PUBLICATIONS

Infinito Pro Brush, announced May 2020 [online], [site visited Apr. 10, 2022]. Available from internet, URL: [https://www.amazon.com/INFINITIPRO-Volumizer-Flexalite-Bristles-detangling/dp/B084DRX9WV/ref=sr\\_1\\_15](https://www.amazon.com/INFINITIPRO-Volumizer-Flexalite-Bristles-detangling/dp/B084DRX9WV/ref=sr_1_15) (Year: 2020).\*

\* cited by examiner



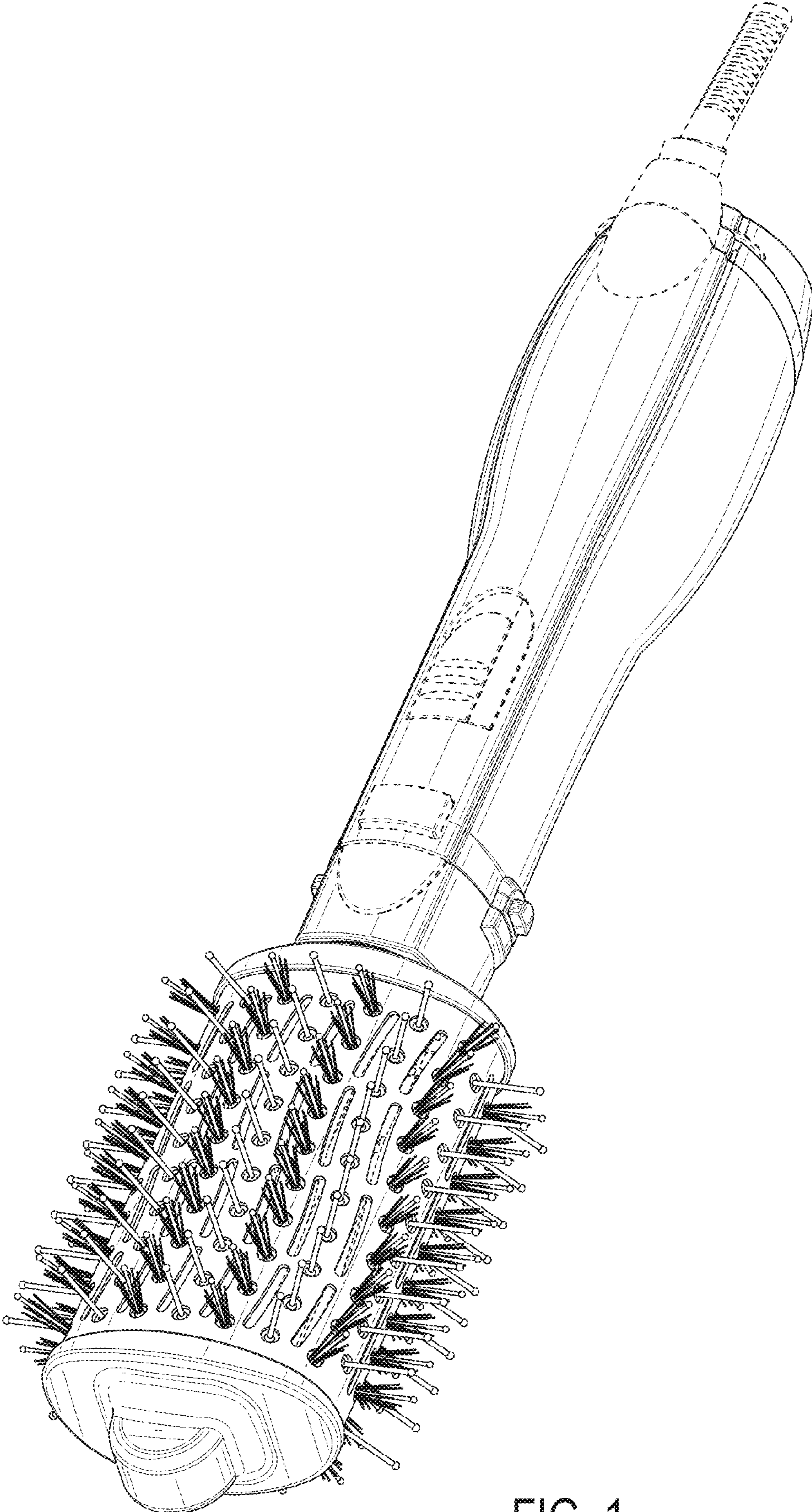


FIG. 1

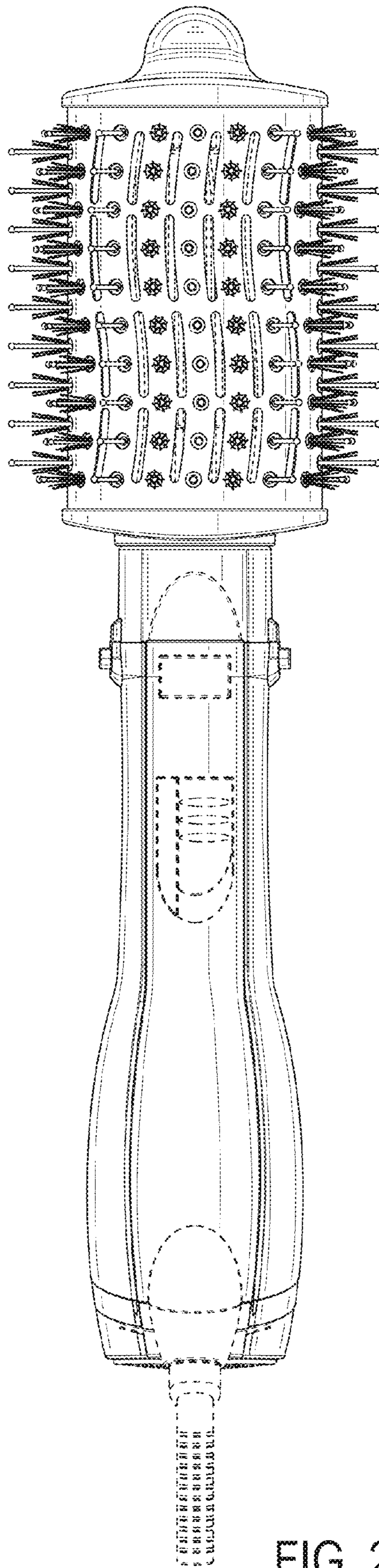


FIG. 2

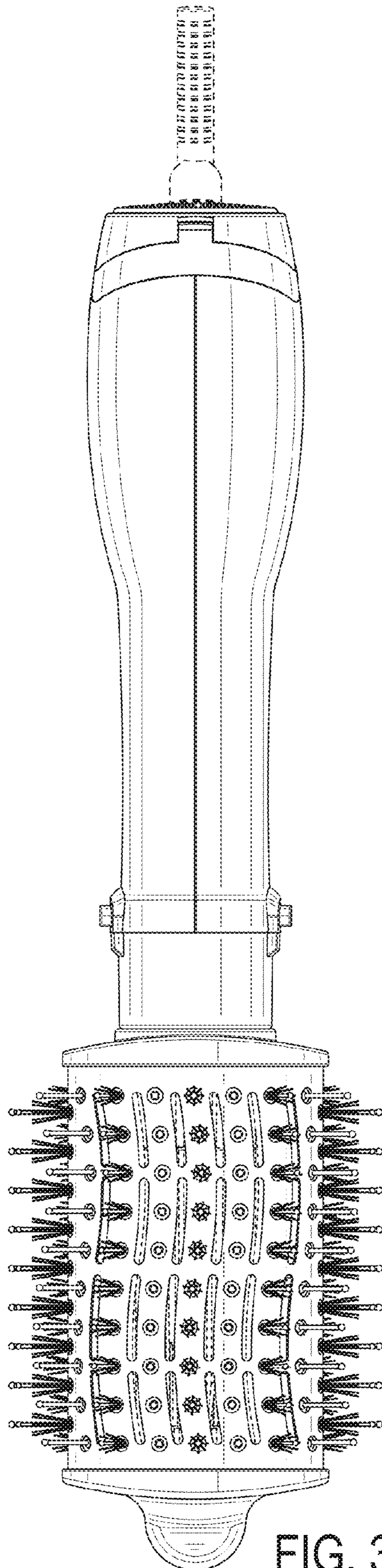


FIG. 3



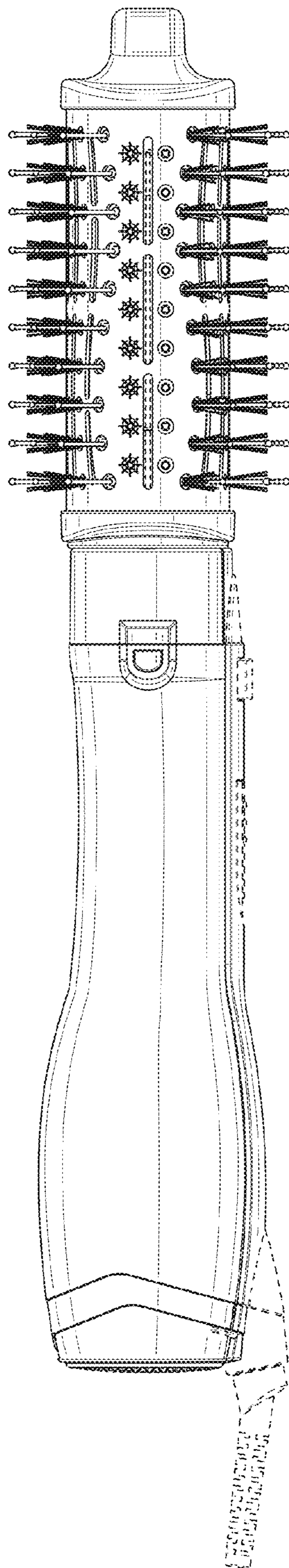


FIG. 4

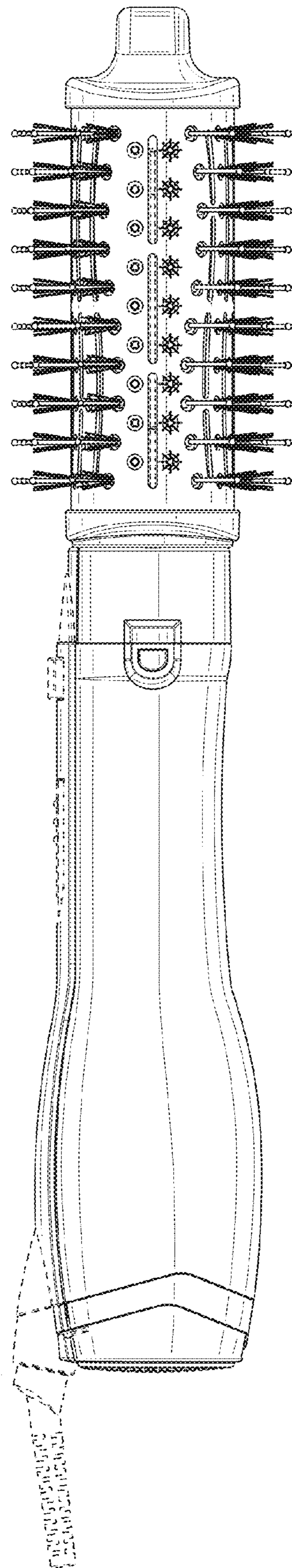


FIG. 5

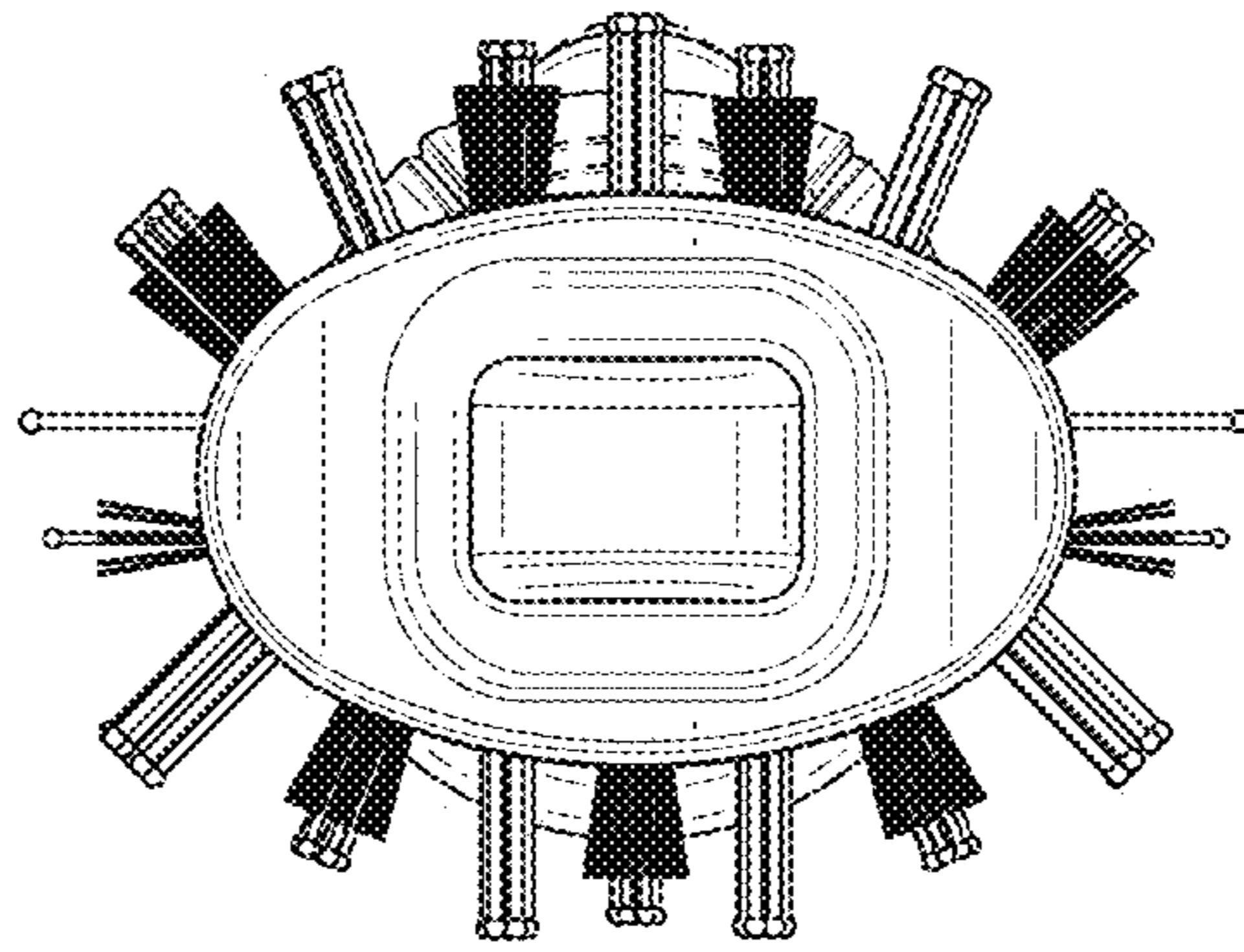


FIG. 6

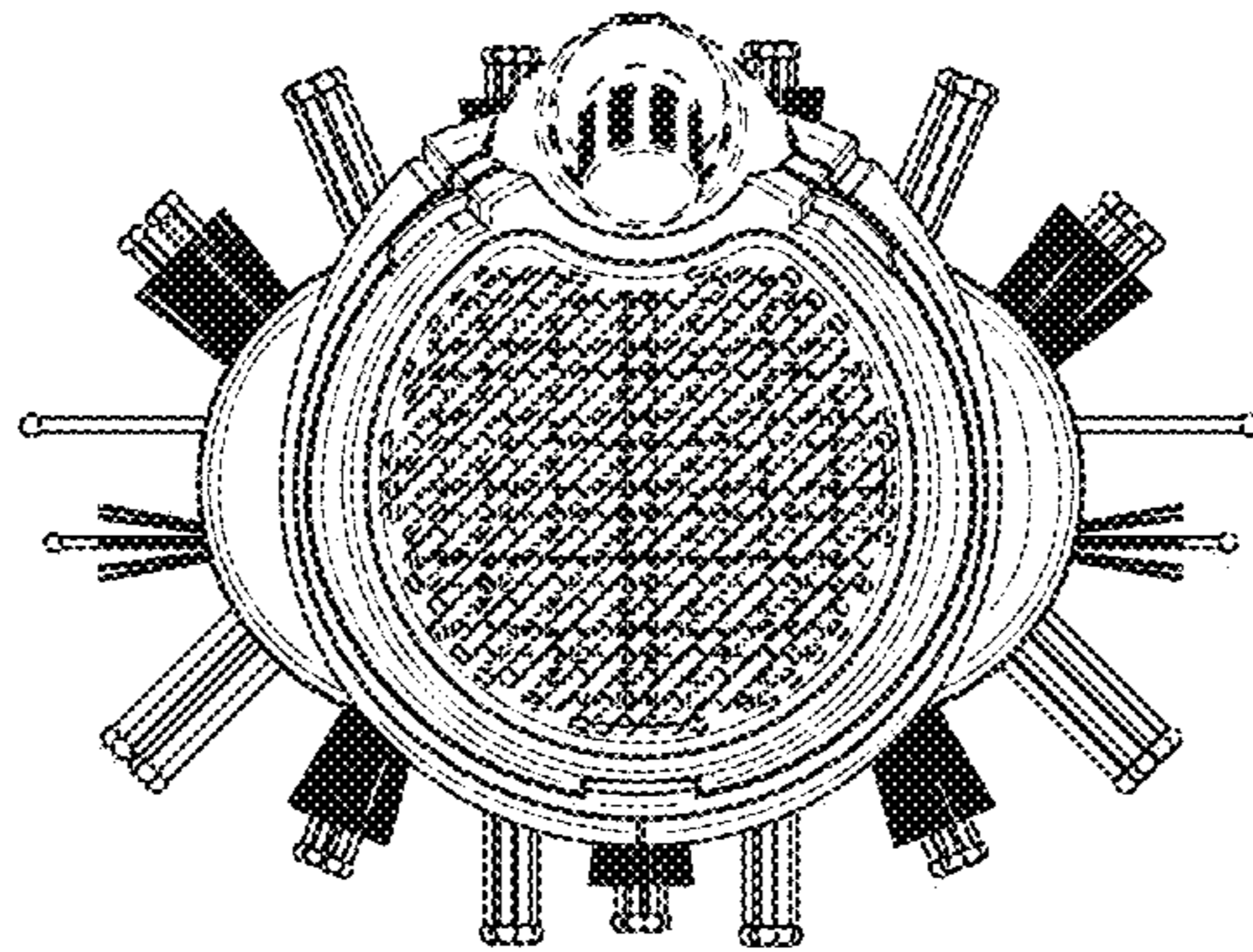


FIG. 7