



US00D974040S

(12) **United States Design Patent** (10) **Patent No.:** **US D974,040 S**
Bandurski et al. (45) **Date of Patent:** **** *Jan. 3, 2023**

(54) **SET OF INTERLOCKING TILES**
(71) Applicant: **Red Wing Shoe Company, Inc.**, Red Wing, MN (US)
(72) Inventors: **Kristen Bandurski**, Red Wing, MN (US); **Matthew Renna**, Williston, VT (US)
(73) Assignee: **RED WING SHOE COMPANY, INC.**, Red Wing, MN (US)

708,470 A 9/1902 Flood
751,275 A 2/1904 Flint
1,880,130 A * 9/1932 Goldbach A63F 9/12
206/1.5
2,148,904 A 2/1939 Horowitz
2,337,180 A 12/1943 Burdon-Cooper
3,157,582 A 11/1964 Babule et al.
3,456,413 A 7/1969 Fischer
3,654,051 A 4/1972 Bieler
4,325,236 A 4/1982 Tsui et al.
(Continued)

(*) Notice: This patent is subject to a terminal disclaimer.
(**) Term: **15 Years**

KR 101584171 B1 1/2015
WO 98/18863 A1 5/1998

(21) Appl. No.: **29/807,747**
(22) Filed: **Sep. 14, 2021**

FOREIGN PATENT DOCUMENTS

Related U.S. Application Data

(62) Division of application No. 29/662,012, filed on Aug. 31, 2018, now Pat. No. Des. 932,772.

(51) **LOC (14) Cl.** **03-01**

(52) **U.S. Cl.**
USPC **D3/318**

(58) **Field of Classification Search**

USPC D25/106, 109, 110, 111, 112, 138, 140,
D25/149, 157, 158, 160; D5/53, 47;
D3/322, 318; D21/479, 484, 489
CPC . E04F 13/0871; E04F 13/0873; E04F 13/105;
E04F 13/123; E04F 13/165; E04F 13/185;
E04C 2/02; B44C 5/04; B44F 3/00; B44F
5/00; B44F 11/04; A63H 33/08

See application file for complete search history.

(56) **References Cited**

U.S. PATENT DOCUMENTS

654,532 A * 7/1900 Furness E04B 2/12
D25/159
D35,691 S 2/1902 Watts, Jr.

OTHER PUBLICATIONS

Bandurski et al., Design U.S. Appl. No. 29/662,012, filed Aug. 31, 2018.

(Continued)

Primary Examiner — Kimberly Barnes

(74) *Attorney, Agent, or Firm* — Merchant & Gould P.C.

(57) **CLAIM**

The ornamental design for a set of interlocking tiles, as shown and described.

DESCRIPTION

FIG. 1 is a front perspective view of a set of interlocking tiles showing the new design.

FIG. 2 is a front elevation view of FIG. 1.

FIG. 3 is a rear elevation view of FIG. 1.

FIG. 4 is a right side elevation view of FIG. 1.

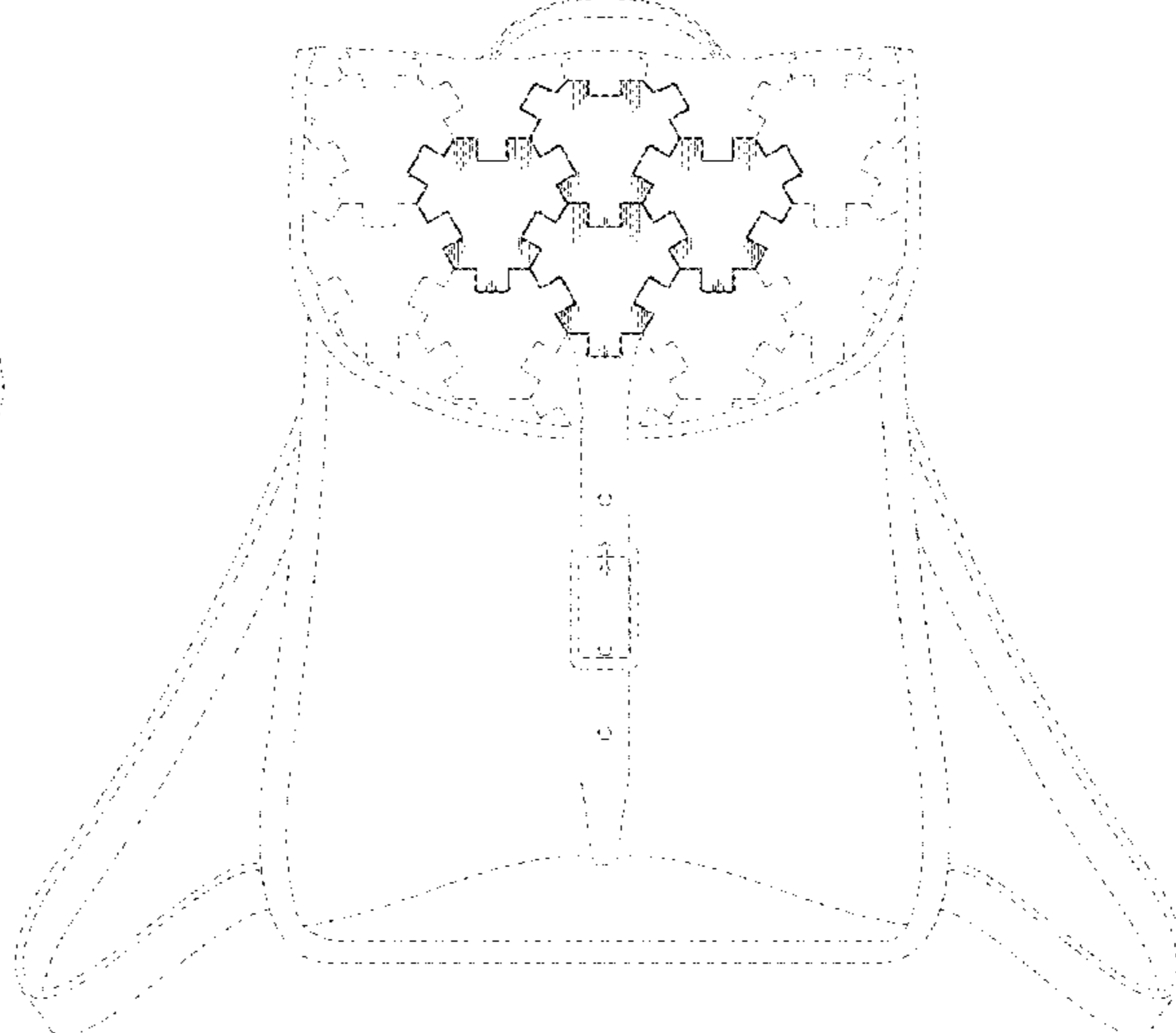
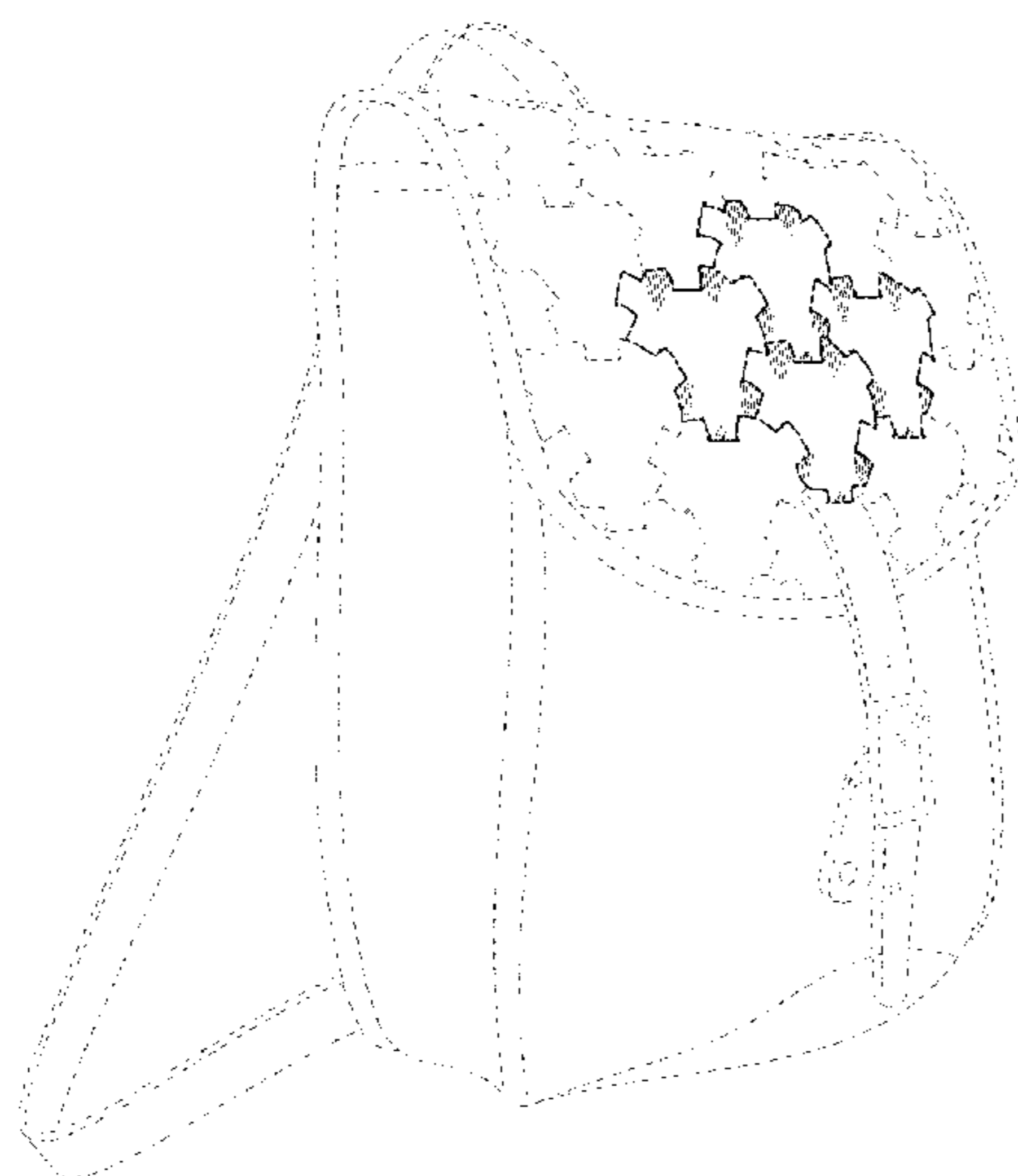
FIG. 5 is a left side elevation view of FIG. 1.

FIG. 6 is a top plan view of FIG. 1; and,

FIG. 7 is a bottom plan view of FIG. 1.

The broken lines illustrate environmental subject matter that forms no part of the claimed design.

1 Claim, 6 Drawing Sheets



(56)

References Cited

U.S. PATENT DOCUMENTS

4,350,341 A 9/1982 Wallace
 4,731,041 A 3/1988 Ziegler
 4,792,319 A 12/1988 Svagerko
 D304,214 S 10/1989 Buist
 4,875,803 A 10/1989 Scales
 4,976,652 A * 12/1990 Schwartz A63H 33/04
 446/388
 5,067,714 A 11/1991 Rasberry
 5,400,918 A * 3/1995 Prodaniuk C05F 17/907
 229/116
 5,429,451 A 7/1995 Pettee, Jr.
 5,449,245 A 9/1995 Glickman
 5,653,631 A 8/1997 Andersen et al.
 D409,668 S 5/1999 Madner
 6,079,902 A 6/2000 Pettee, Jr.
 6,264,879 B1 7/2001 Addie et al.
 7,731,814 B2 6/2010 Bevan
 7,832,897 B2 * 11/2010 Ku F21S 2/005
 362/249.02
 D639,459 S 6/2011 Martin et al.
 8,221,183 B2 7/2012 Matos
 8,445,391 B2 5/2013 Nakayama et al.
 8,845,381 B2 9/2014 Ziegler
 D721,142 S 1/2015 Ziegler
 8,961,258 B2 2/2015 Balint
 9,185,947 B2 11/2015 Spencer et al.
 9,248,695 B2 2/2016 Radvanyi
 9,403,616 B2 * 8/2016 Vergés Escuín B65D 5/2033
 9,458,867 B2 10/2016 Maunder
 9,498,735 B2 11/2016 Mohanty
 D790,638 S 6/2017 Kuo
 9,808,734 B2 11/2017 Kuo
 9,822,481 B2 11/2017 Pourdeyhimi et al.
 10,088,139 B2 * 10/2018 Liang H05B 45/375
 D853,080 S 7/2019 Albuja Cuadrado et al.
 10,376,000 B2 * 8/2019 Desnoyers A63B 71/08
 D885,251 S * 5/2020 Hartloff D11/157
 D887,031 S * 6/2020 Jones D25/158

D908,359 S 1/2021 Bandurski et al.
 10,933,305 B2 * 3/2021 Udo A63H 33/08
 D929,615 S * 8/2021 Galbraith D25/158
 D932,772 S * 10/2021 Bandurski D25/138
 2005/0073095 A1 4/2005 Pharaoh
 2005/0106989 A1 5/2005 Rincover
 2008/0197566 A1 * 8/2008 Lee A63F 9/1208
 273/157 R
 2009/0113815 A1 * 5/2009 Woodcock E04B 1/3211
 52/608
 2010/0118532 A1 5/2010 Liang et al.
 2016/0253925 A1 * 9/2016 Renner G09B 27/08
 434/135
 2018/0094329 A1 4/2018 Kim
 2018/0168255 A1 * 6/2018 Ly A41B 1/08
 2022/0056703 A1 * 2/2022 Boucké B32B 5/245

OTHER PUBLICATIONS

Beller, "Link" Product Website, 2011, <http://www.beller/no/link> (3 pgs).
 Elvis & Kresse, "Leather Cube" product information, Nov. 2016, <https://www.elvisandkresse.com/collections/at-home/products/leather-cube> (2 pgs).
 Elvis & Kresse, Leather Rug: product information, Nov. 2016, <https://www.elvisandkresse.com/collections/at-home/products/leather-rug> (2 pgs).
 Hexagon puzzle Royalty Free Vector Image—VectorStock (online), no date available. Retrieved from Internet Jul. 30, 2019, URL: <https://www.vectorstock.com/royalty-free-vector/hexagon-puzzle-vector-5126430> (1 page).
 NY Design Week 2013: 'Home in the Woods' Celebrates Swedish Modern and New Nordic Design—Core77 (online), dated May 23, 2013. Retrieved from Internet Aug. 23, 2019, URL: <https://www.core77.com/posts/24932/NY-Desing-Week-2013-Home-in-the-Woods-Celebrates-Swedish-Modern-and-New-Nordic-Design> (5 pages) (Year: 2013).

* cited by examiner

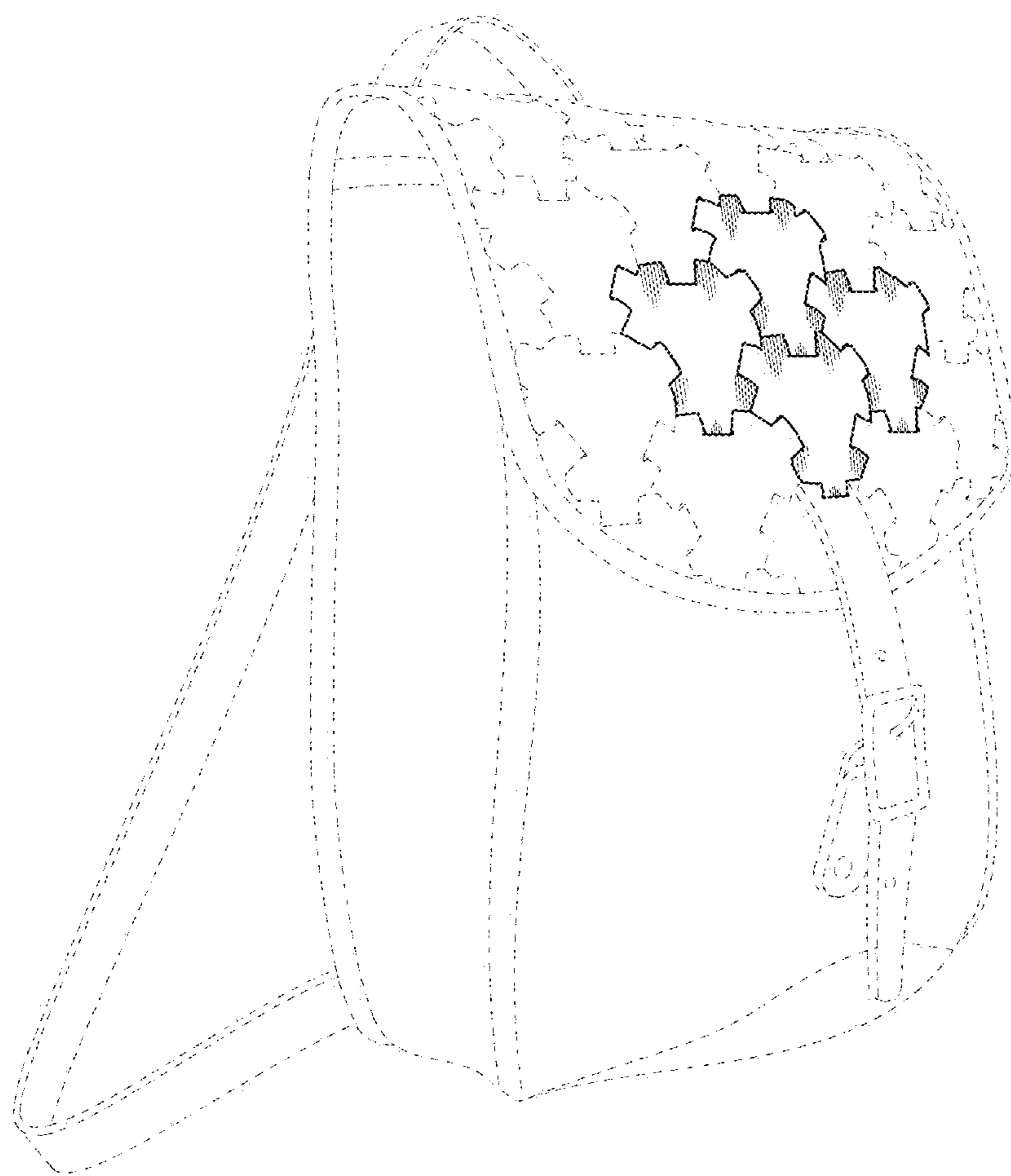


FIG. 1

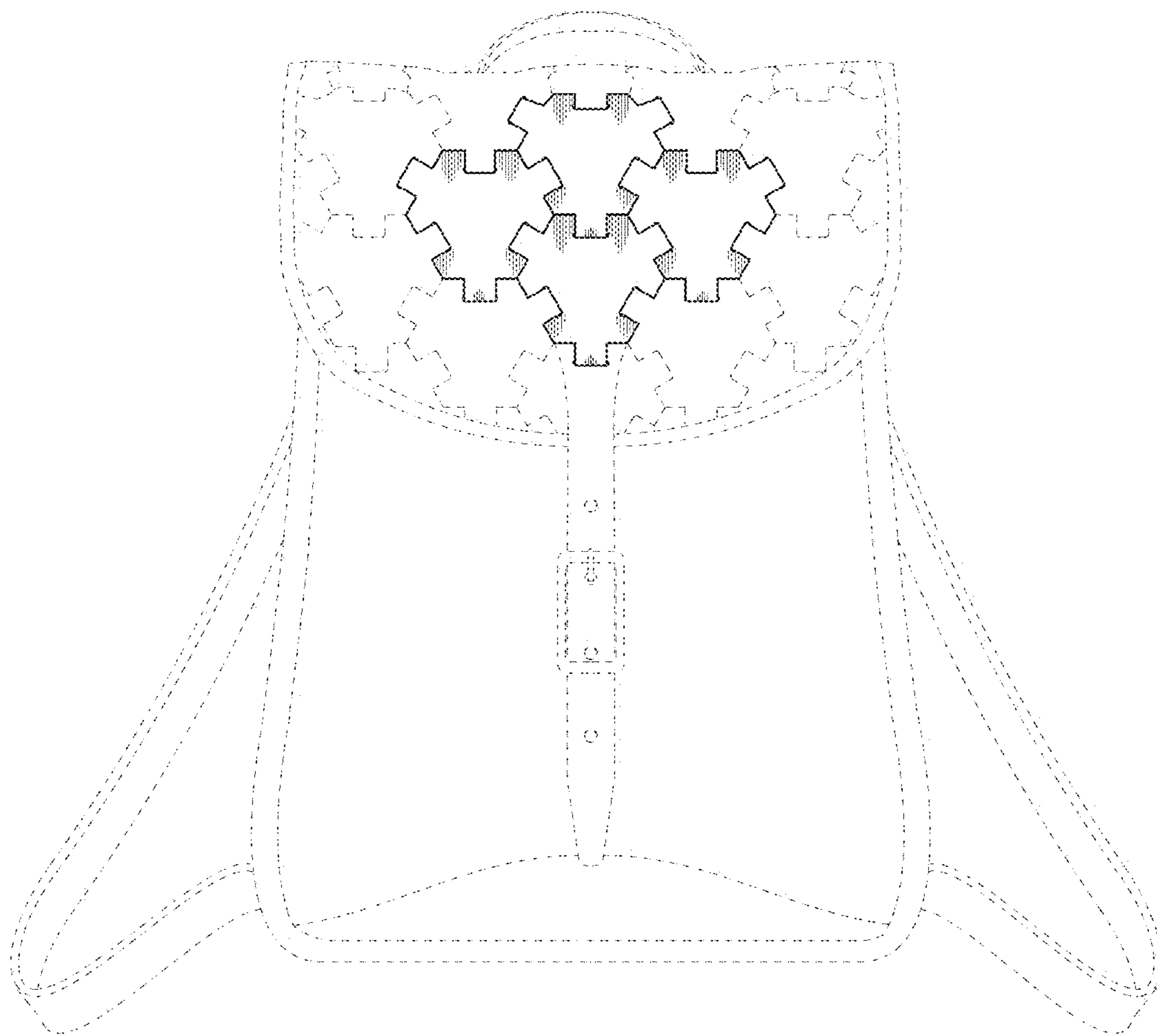


FIG. 2

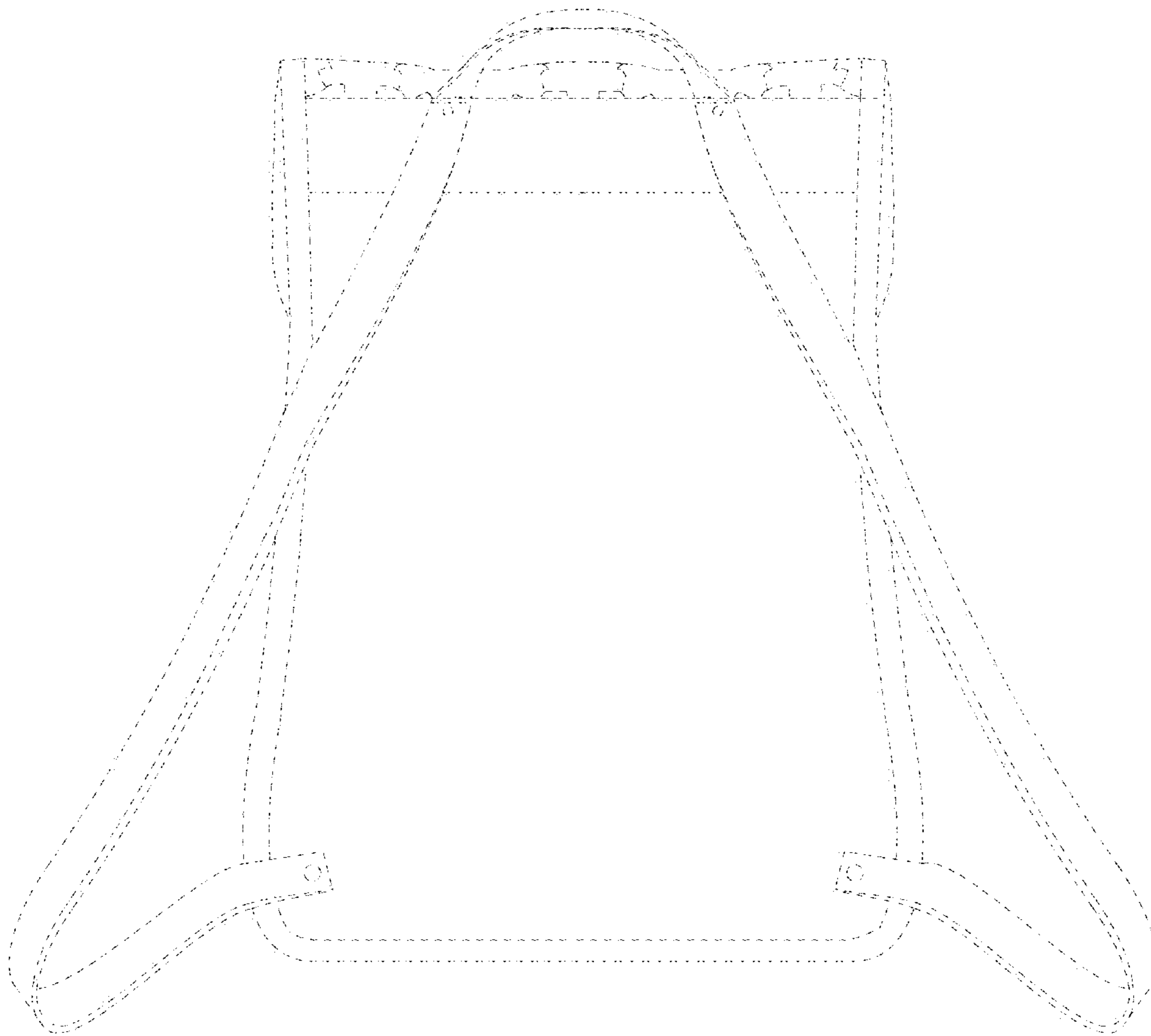


FIG. 3

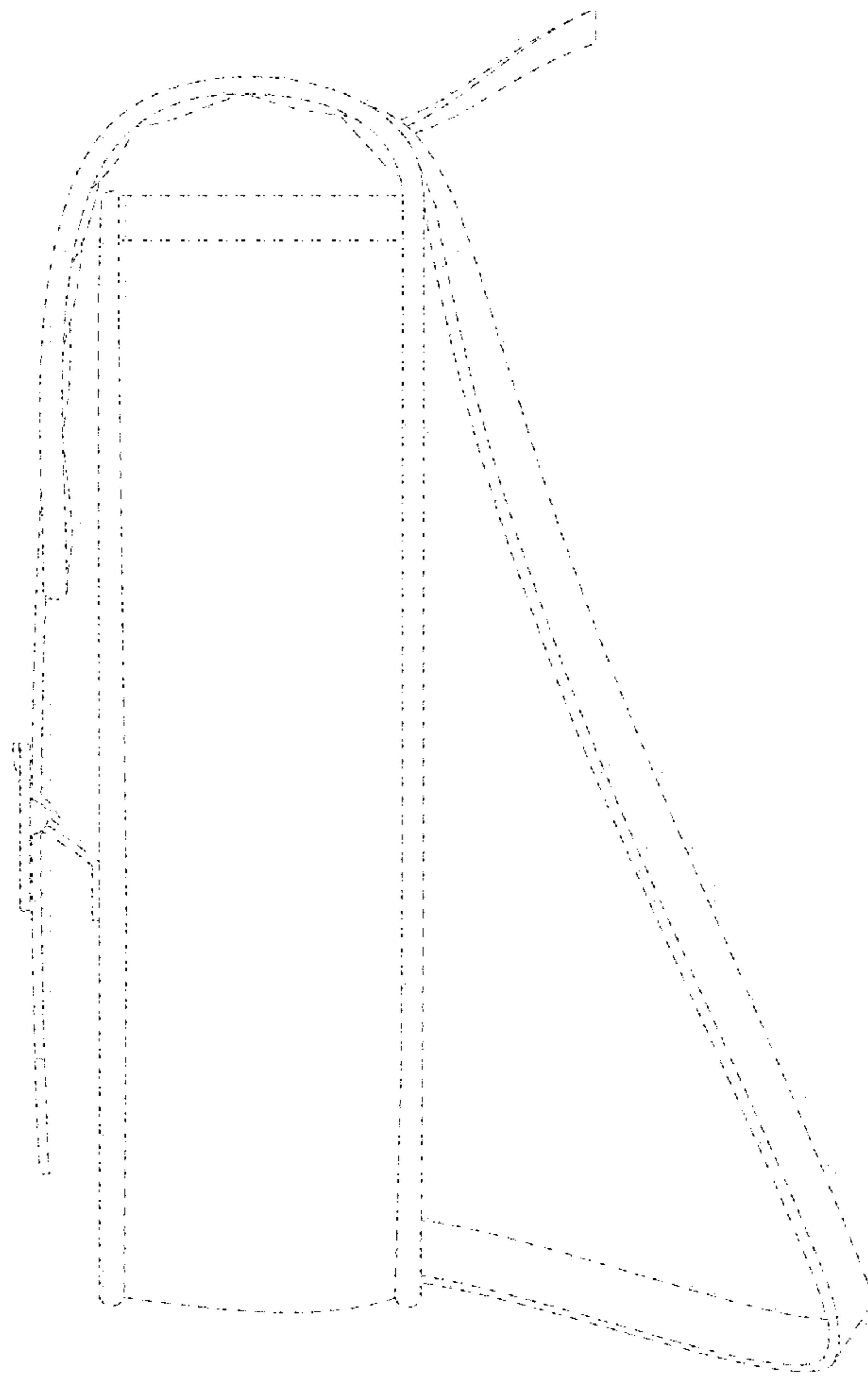


FIG. 4

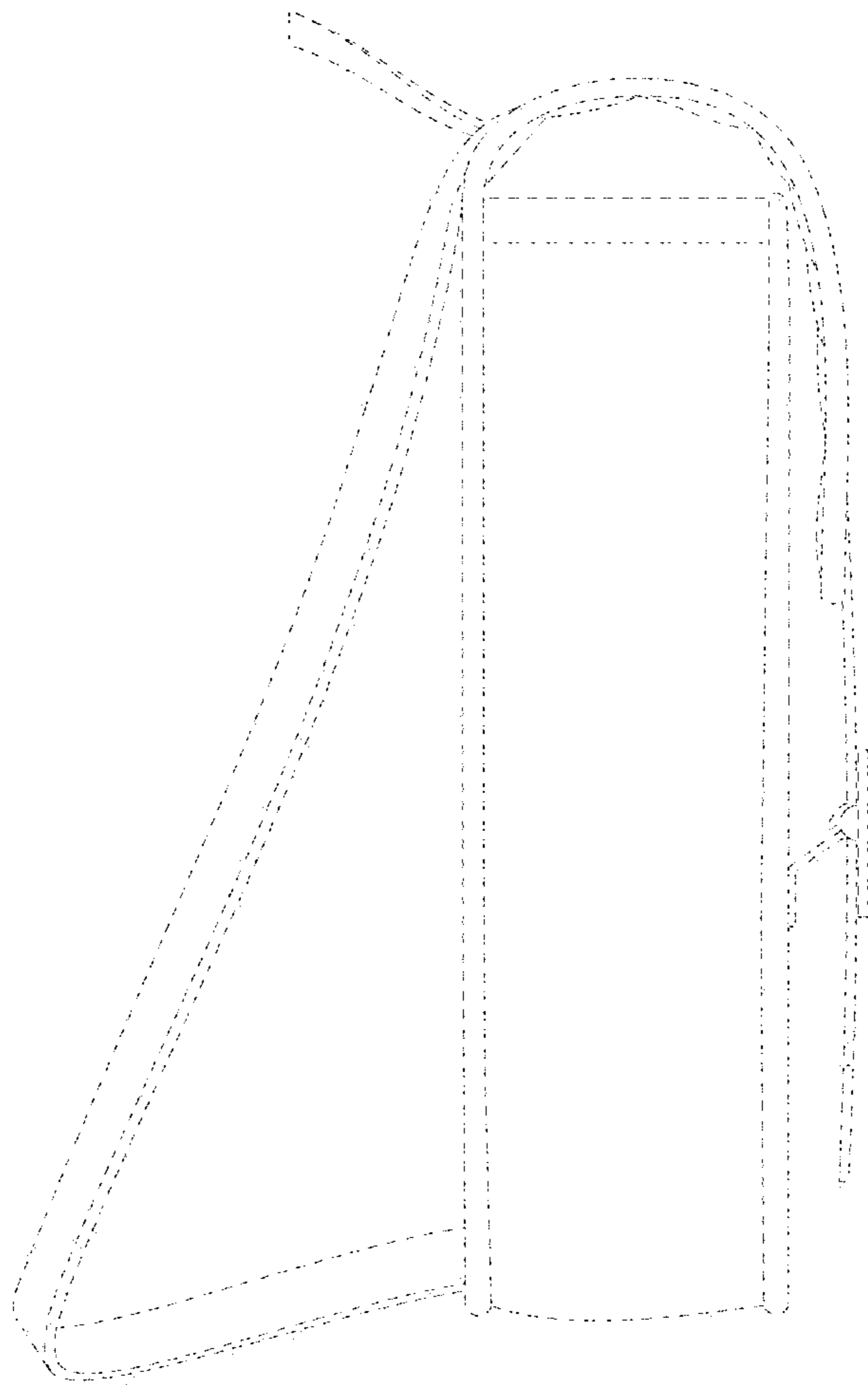


FIG. 5

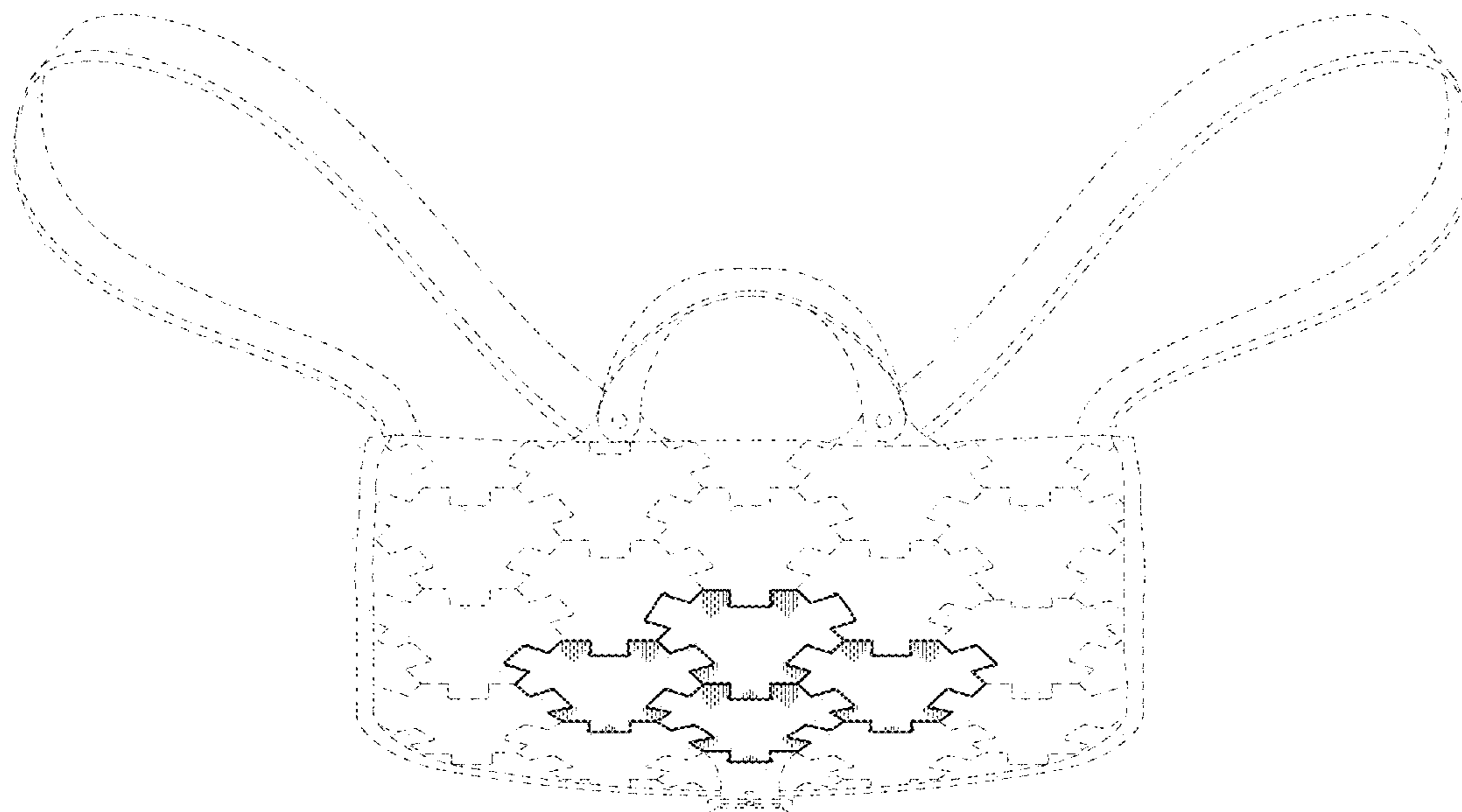


FIG. 6

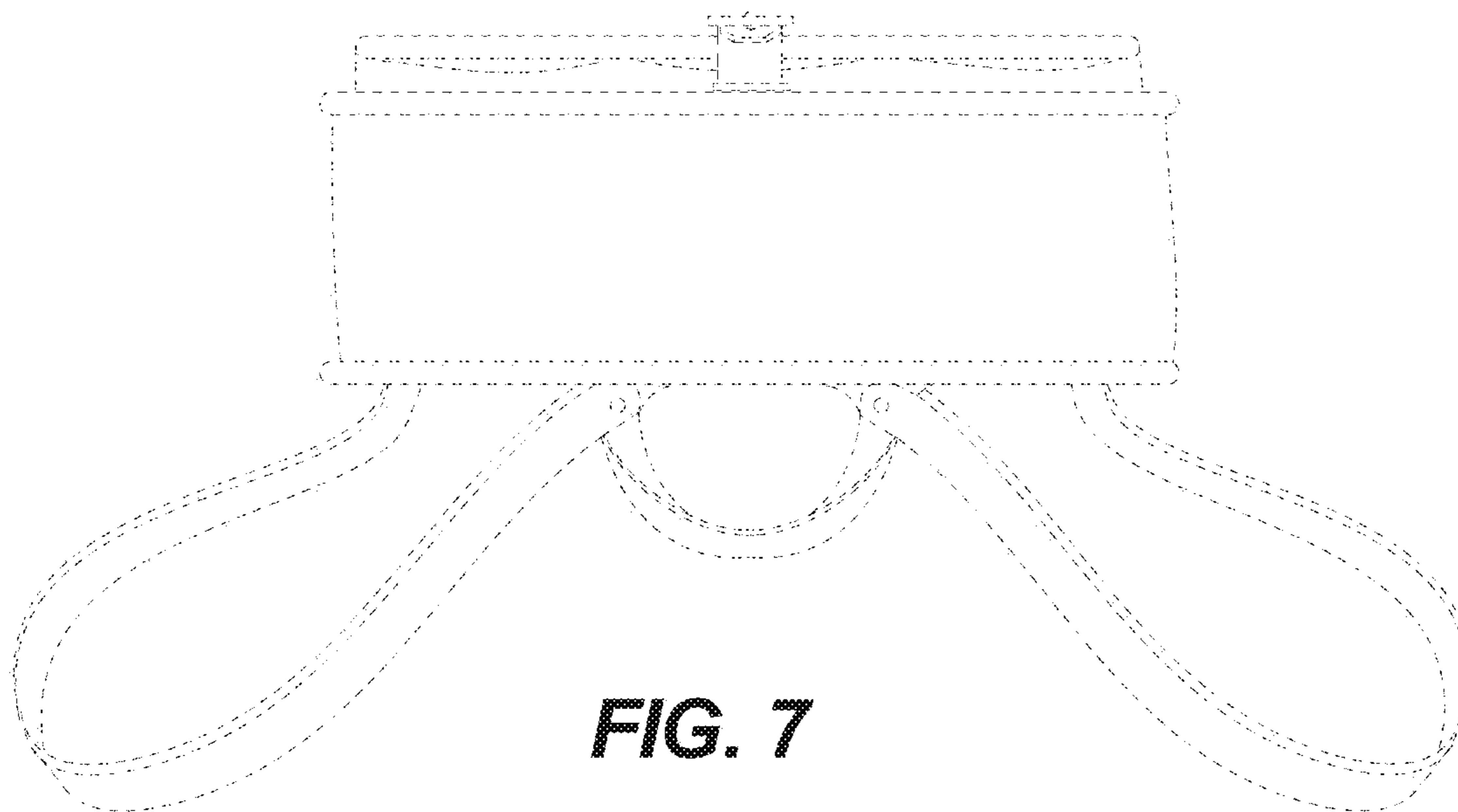


FIG. 7