



US00D974039S

(12) **United States Design Patent**
Liu et al.

(10) **Patent No.:** **US D974,039 S**
(45) **Date of Patent:** **** Jan. 3, 2023**

(54) **PROTECTIVE COVER FOR EARPHONE CASE**

(71) Applicant: **SHENZHEN ILLUDESIGN CREATIVE CO., LTD.**, Guangdong (CN)

(72) Inventors: **Junwei Liu**, Guangdong (CN); **Yaohua Xie**, Guangdong (CN); **Xinyu Chen**, Guangdong (CN)

(73) Assignee: **SHENZHEN ILLUDESIGN CREATIVE CO., LTD.**, Shenzhen (CN)

(**) Term: **15 Years**

(21) Appl. No.: **29/814,727**

(22) Filed: **Nov. 8, 2021**

(30) **Foreign Application Priority Data**

May 13, 2021 (CN) 202130286585.9

(51) **LOC (14) Cl.** **03-01**

(52) **U.S. Cl.**
USPC **D3/302**

(58) **Field of Classification Search**
USPC D3/201, 208, 212, 218, 273, 274, 294, D3/302
CPC A45C 2011/001; H04R 1/1025
See application file for complete search history.

(56) **References Cited**

U.S. PATENT DOCUMENTS

D893,184 S * 8/2020 Liu D3/294
D901,189 S 11/2020 Choi et al.
D902,854 S 11/2020 Feng

D914,604 S * 3/2021 Wang D3/321
D921,362 S 6/2021 Lu
D931,258 S * 9/2021 Ding D3/274
D938,430 S * 12/2021 Feng D14/440
D947,198 S * 3/2022 Lee D14/440
D959,831 S * 8/2022 Feng D3/294
D962,643 S * 9/2022 Akana D14/223
D965,563 S * 10/2022 Akana D14/223

OTHER PUBLICATIONS

Amazon, "ESR Magnetic Case with HaloLock for AirPods Pro", First on sale Jul. 26, 2021. (<https://www.amazon.com/dp/B098NR47Y9>) (Year: 2021).*

* cited by examiner

Primary Examiner — April Rivas

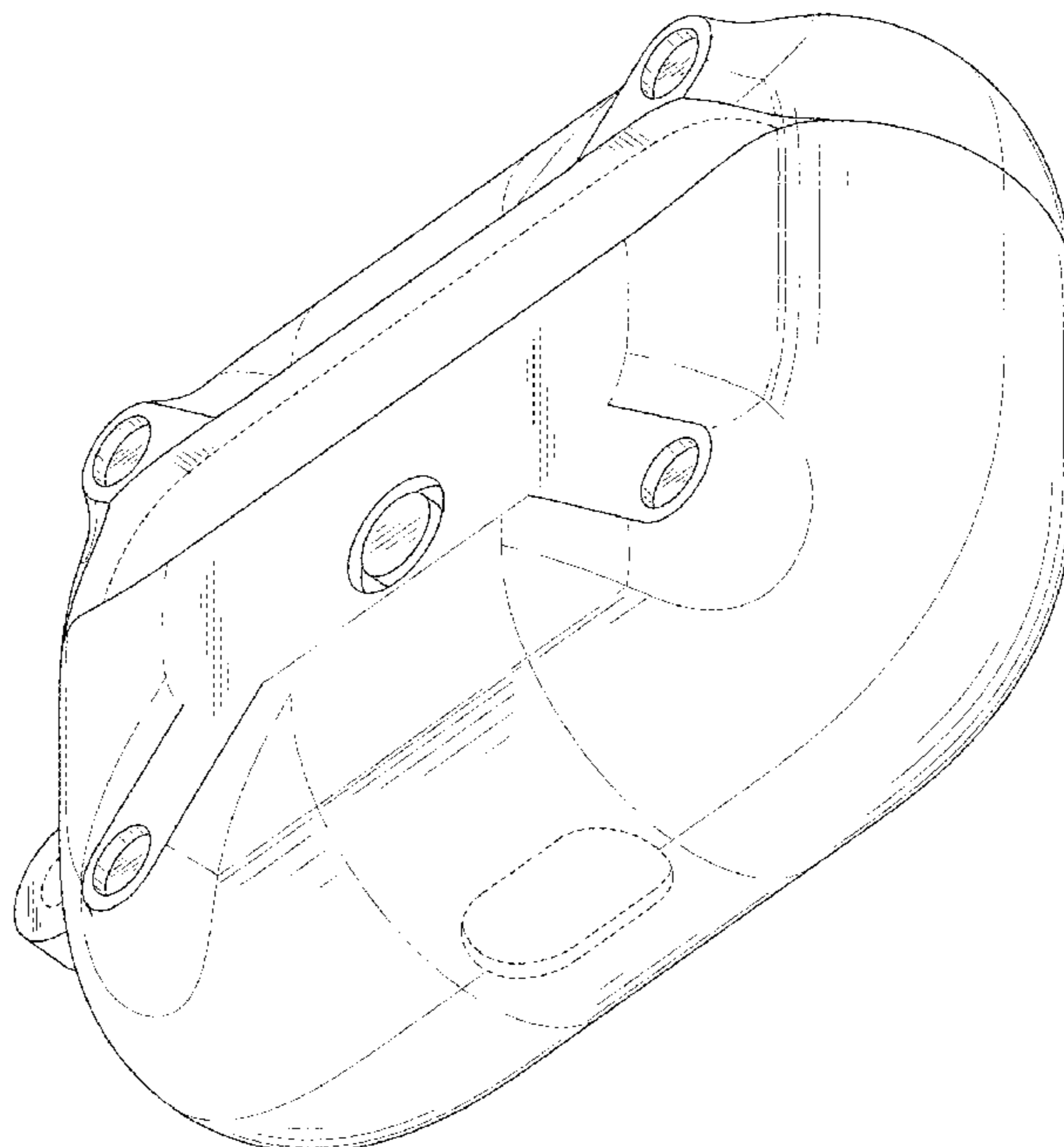
(57) **CLAIM**

The ornamental design for a protective cover for earphone case, as shown and described.

DESCRIPTION

FIG. 1 is a top, front and right side perspective view of a protective cover for earphone case showing our new design; FIG. 2 is a bottom, rear and left side perspective view thereof; FIG. 3 is a front elevational view thereof; FIG. 4 is a rear elevational view thereof; FIG. 5 is a left side view thereof; FIG. 6 is a right side view thereof; FIG. 7 is a top plan view thereof; and, FIG. 8 is a bottom plan view thereof. The broken lines in the drawings illustrate portions of the protective cover for earphone case which form no part of the claimed design.

1 Claim, 8 Drawing Sheets



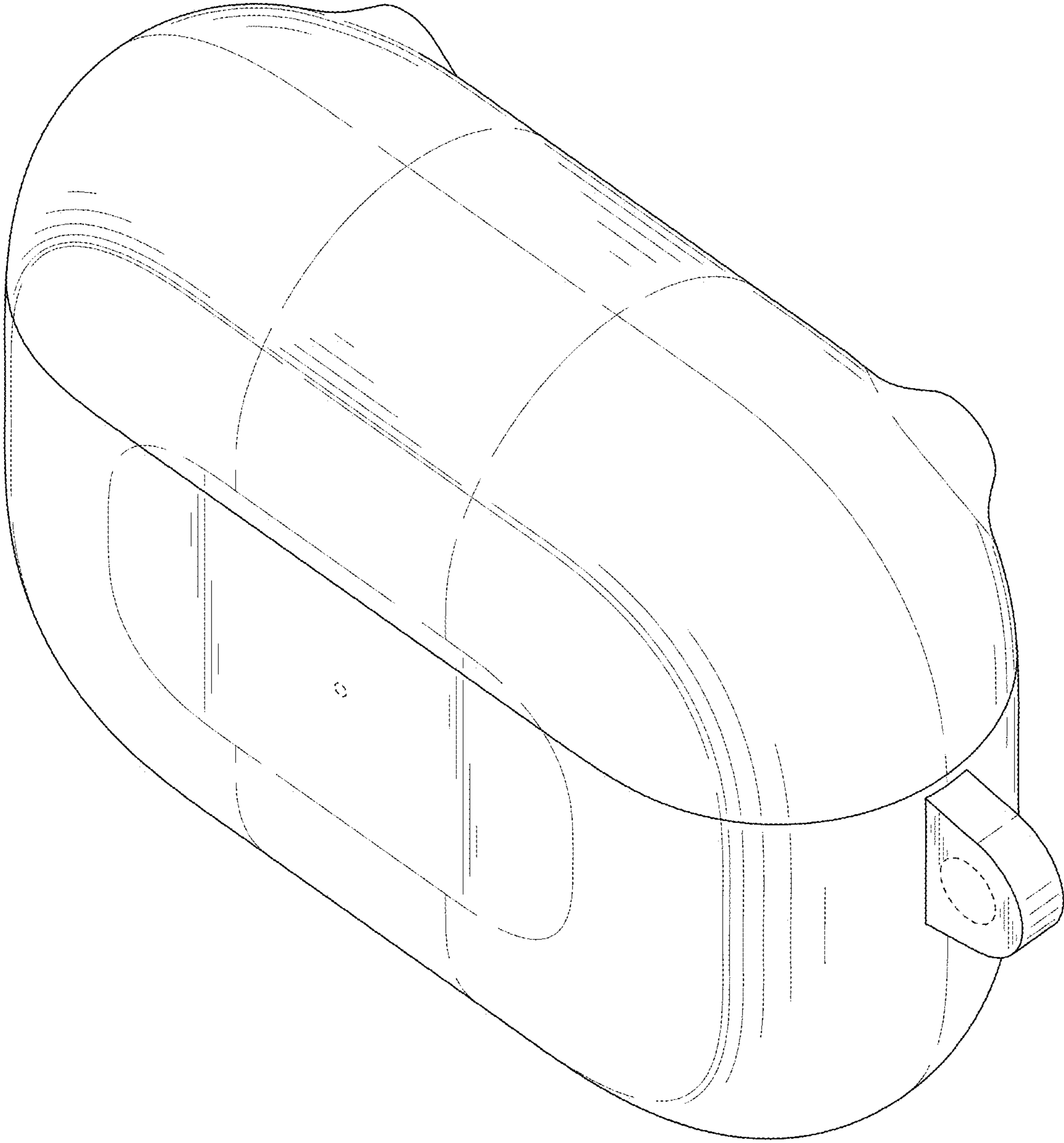


FIG. 1

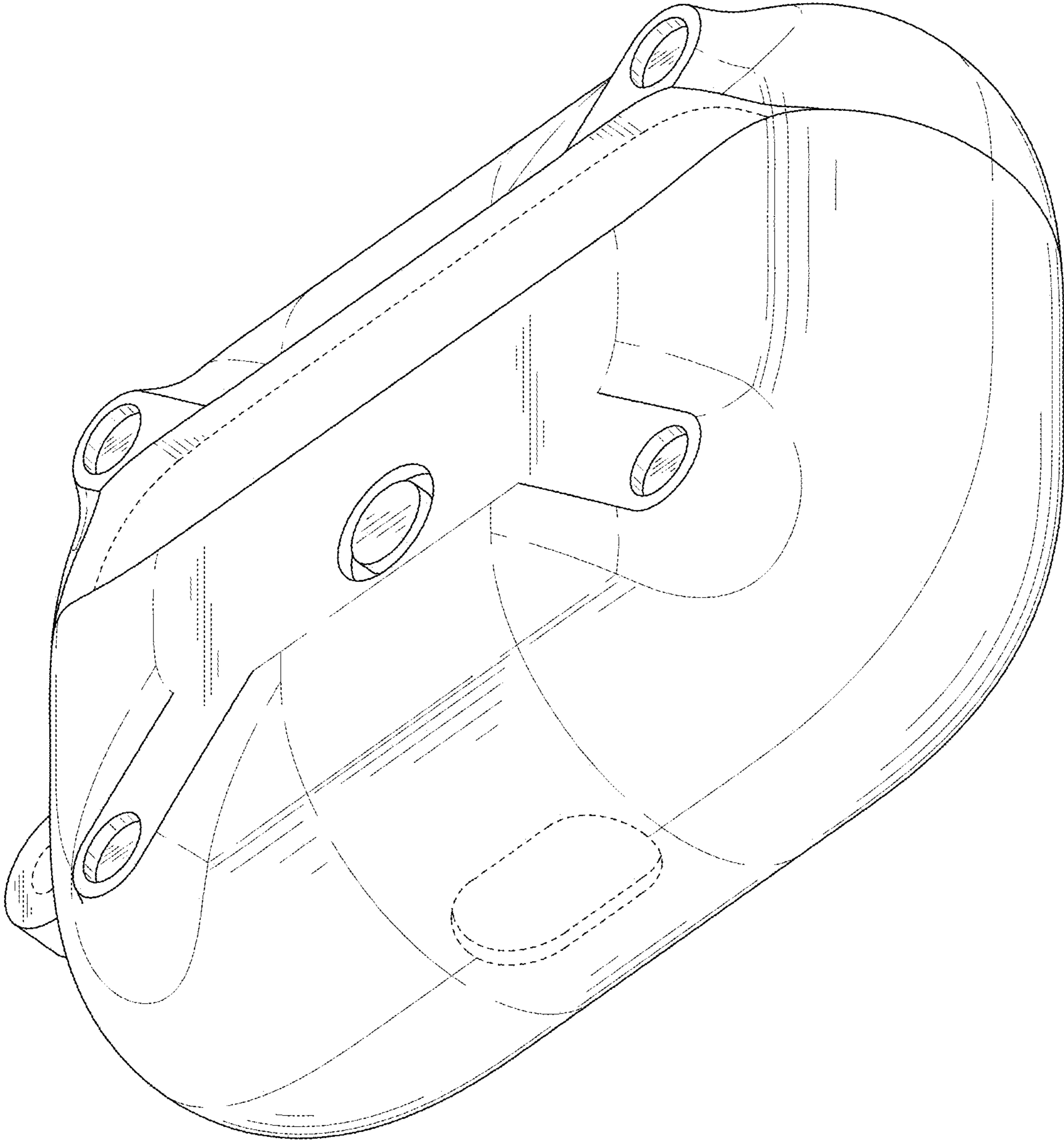


FIG. 2

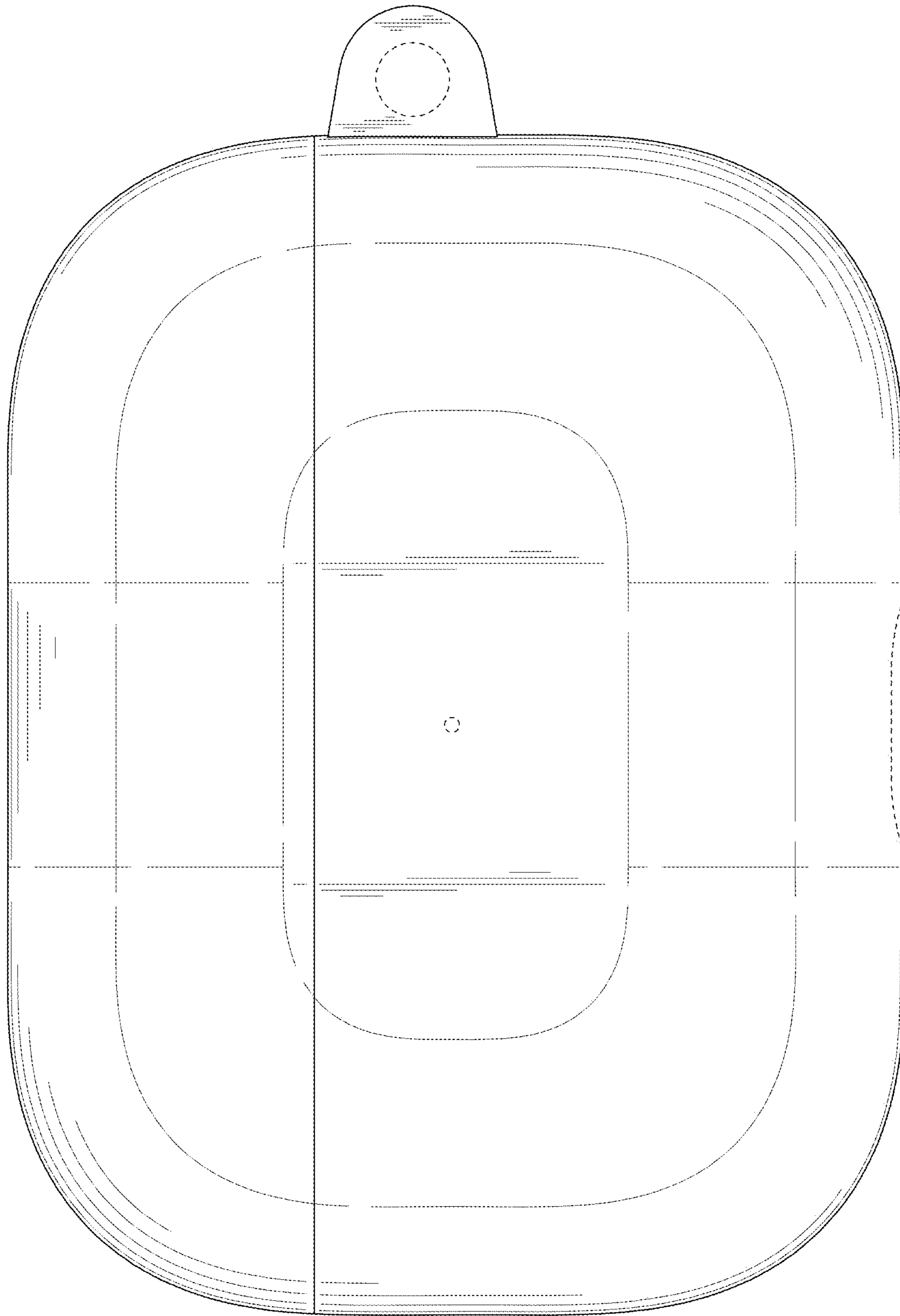


FIG. 3

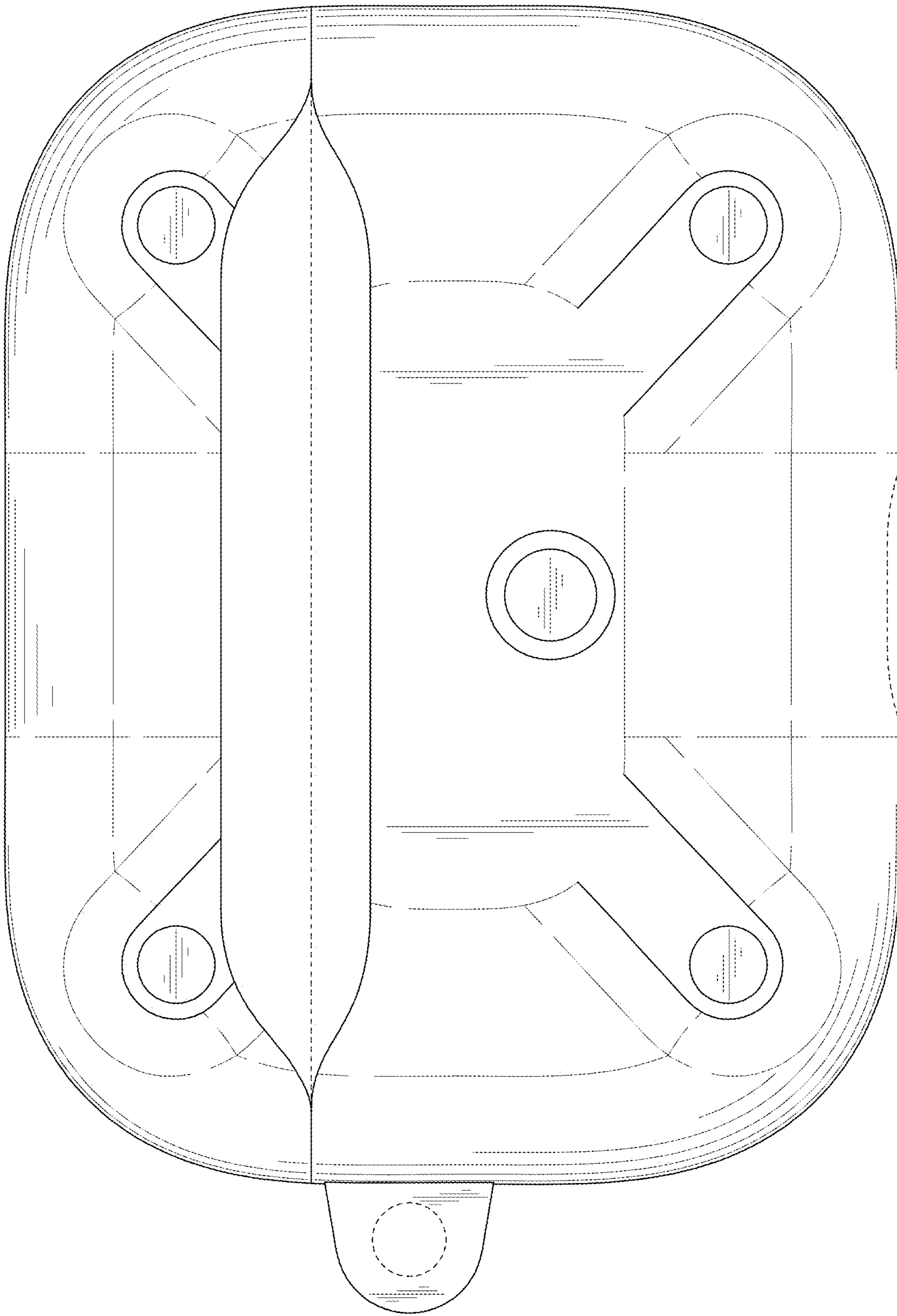


FIG. 4

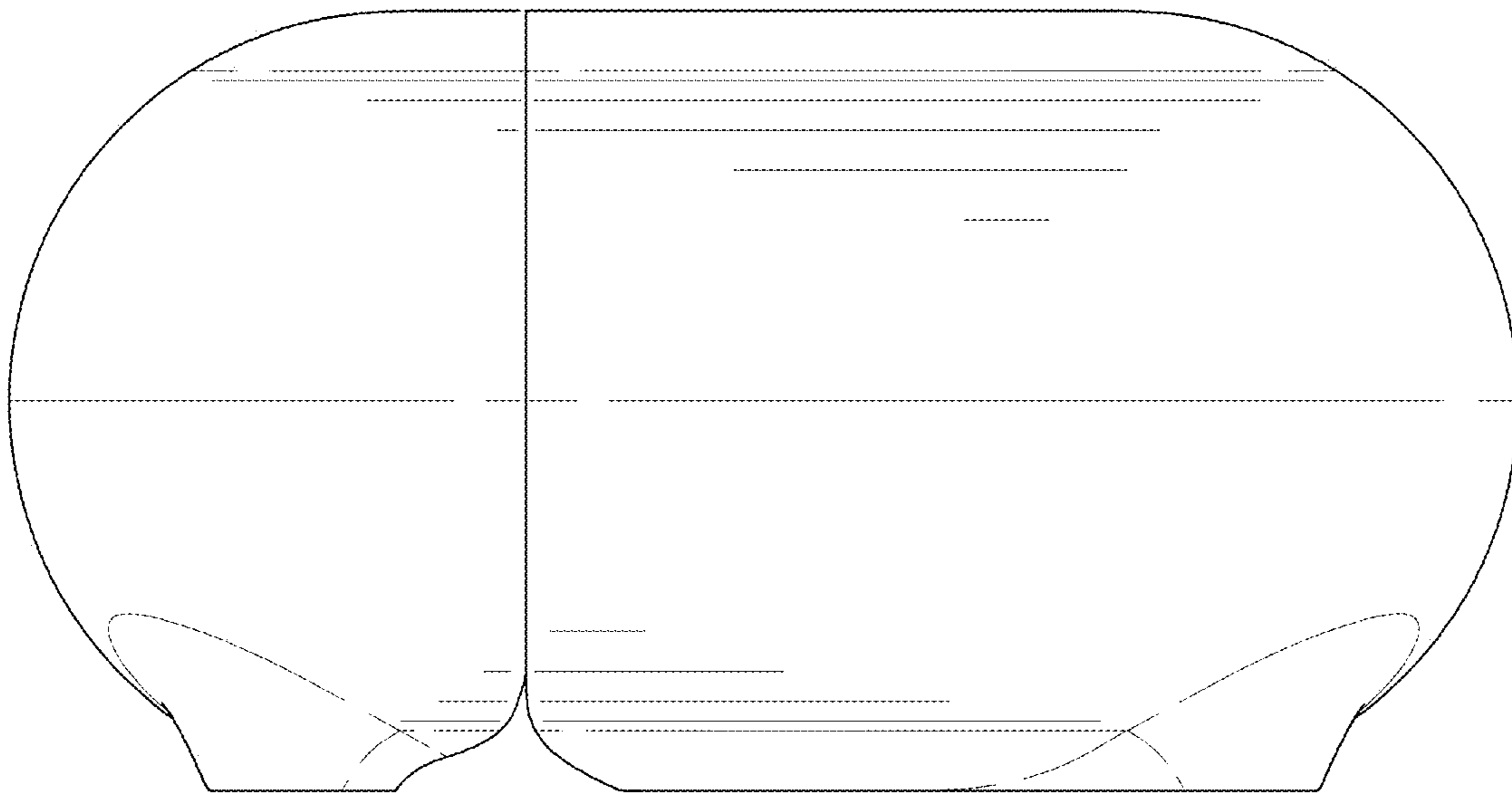


FIG. 5

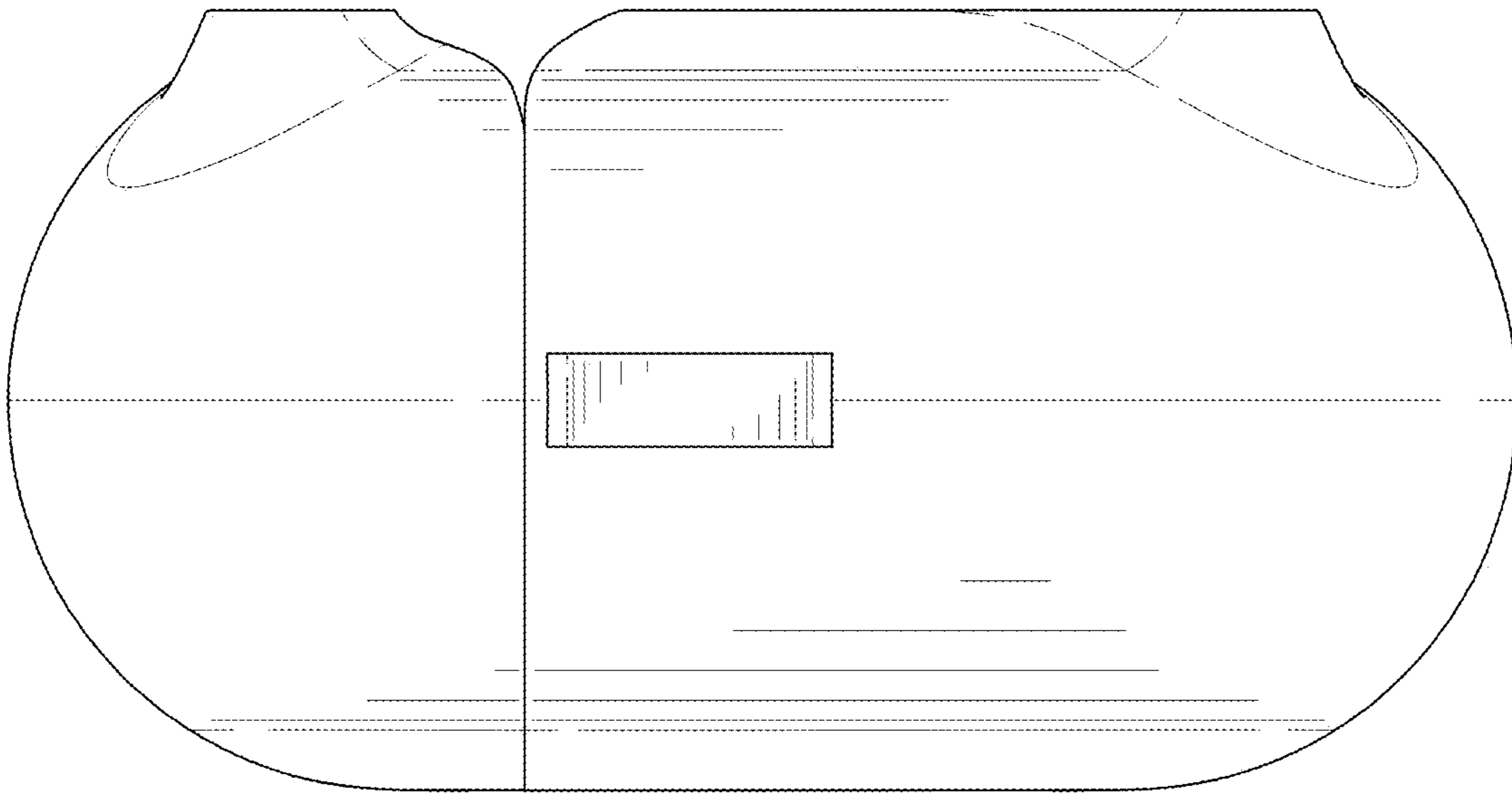


FIG. 6

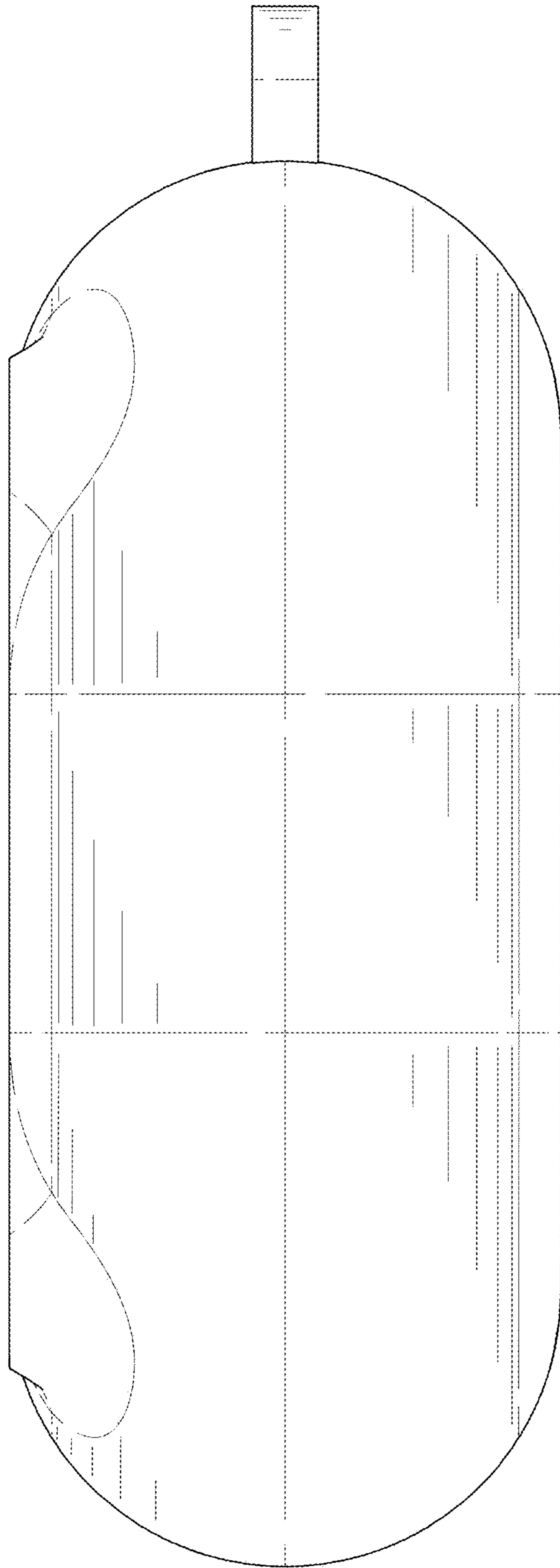


FIG. 7

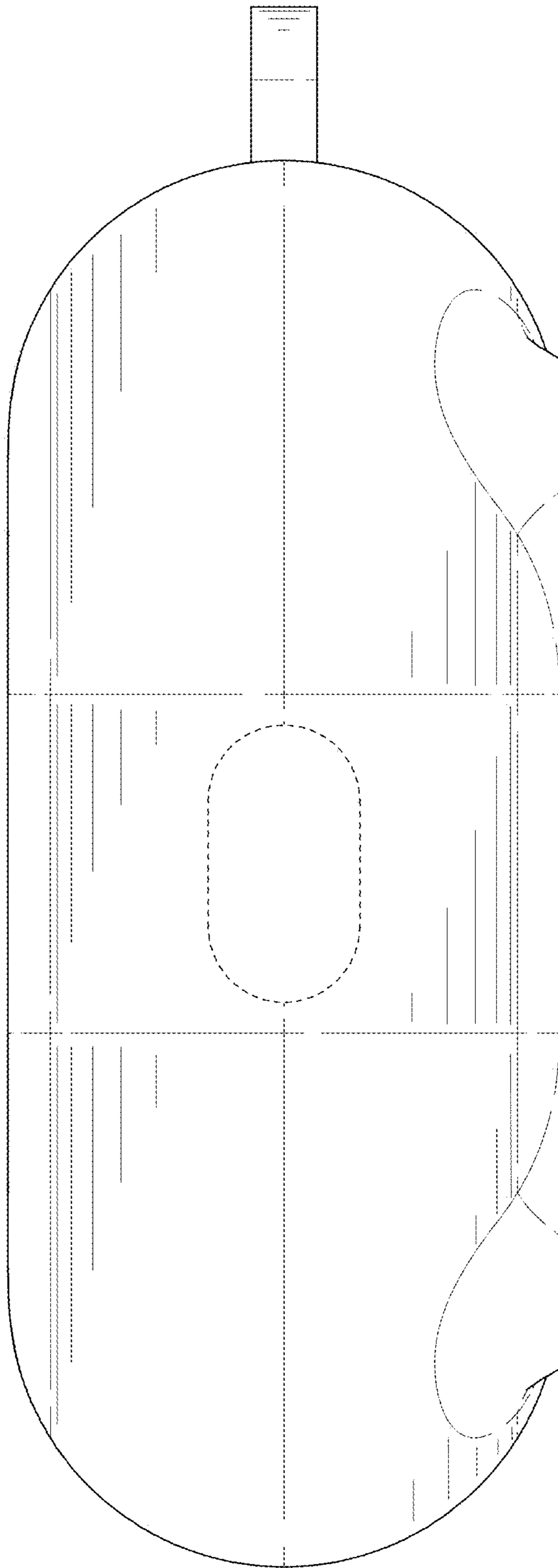


FIG. 8