



US00D974037S

(12) **United States Design Patent** (10) **Patent No.:** **US D974,037 S**
Hsu (45) **Date of Patent:** **** Jan. 3, 2023**

(54) **CONTAINER**

FOREIGN PATENT DOCUMENTS

(71) Applicant: **L&F PLASTICS, CO., LTD.**, Miaoli County (TW)

EM 002662254-0003 * 3/2015
EM 006609897-0002 * 7/2019

(72) Inventor: **Mu-Chuan Hsu**, Miaoli County (TW)

OTHER PUBLICATIONS

(73) Assignee: **L&F PLASTICS, CO., LTD.**, Miaoli County (TW)

WTM CBCL—24 Stackable Bins with Hinged Lids, announced Nov. 1, 2012 (online), [site visited Dec. 2, 2021]. Available online, URL: <<https://www.amazon.com/WTM-CBCL-24-Stackable-Hinged-24-Quart/dp/B009L9PELG>> (Year: 2012).*

(**) Term: **15 Years**

Primary Examiner — Kevin K Rudzinski

(21) Appl. No.: **29/726,216**

Assistant Examiner — Amber J Rabie

(22) Filed: **Mar. 2, 2020**

(74) *Attorney, Agent, or Firm* — Alan D. Kamrath; Karin L. Williams; Mayer & Williams PC

(51) **LOC (14) Cl.** **03-01**

(52) **U.S. Cl.**
USPC **D3/295**

(58) **Field of Classification Search**
USPC D3/201, 233, 254, 270, 271.7, 272, 273,
D3/279, 281, 282, 284, 288, 294, 295,
D3/296, 297, 299, 304, 305, 307, 314
CPC A45C 2007/0004; B65D 5/247; B65D
21/0216
See application file for complete search history.

(57) **CLAIM**

I claim the ornamental design for a container, substantially as shown and described.

DESCRIPTION

FIG. 1 is a perspective view of a container showing my new design;
FIG. 2 is a front view thereof;
FIG. 3 is a rear view thereof;
FIG. 4 is a right side view thereof, and its left side view is the same as the right side view;
FIG. 5 is a top view thereof;
FIG. 6 is a bottom view thereof;
FIG. 7 is a perspective view showing a container of an alternate embodiment of my design;
FIG. 8 is a front view of the container of FIG. 7;
FIG. 9 is a rear view of the container of FIG. 7;
FIG. 10 is a right side view of the container of FIG. 7, and its left side view is the same as the right side view;
FIG. 11 is a top view of the container of FIG. 7; and,
FIG. 12 is a bottom view of the container of FIG. 7.
The broken lines show portions of the container that form no part of the claimed design.

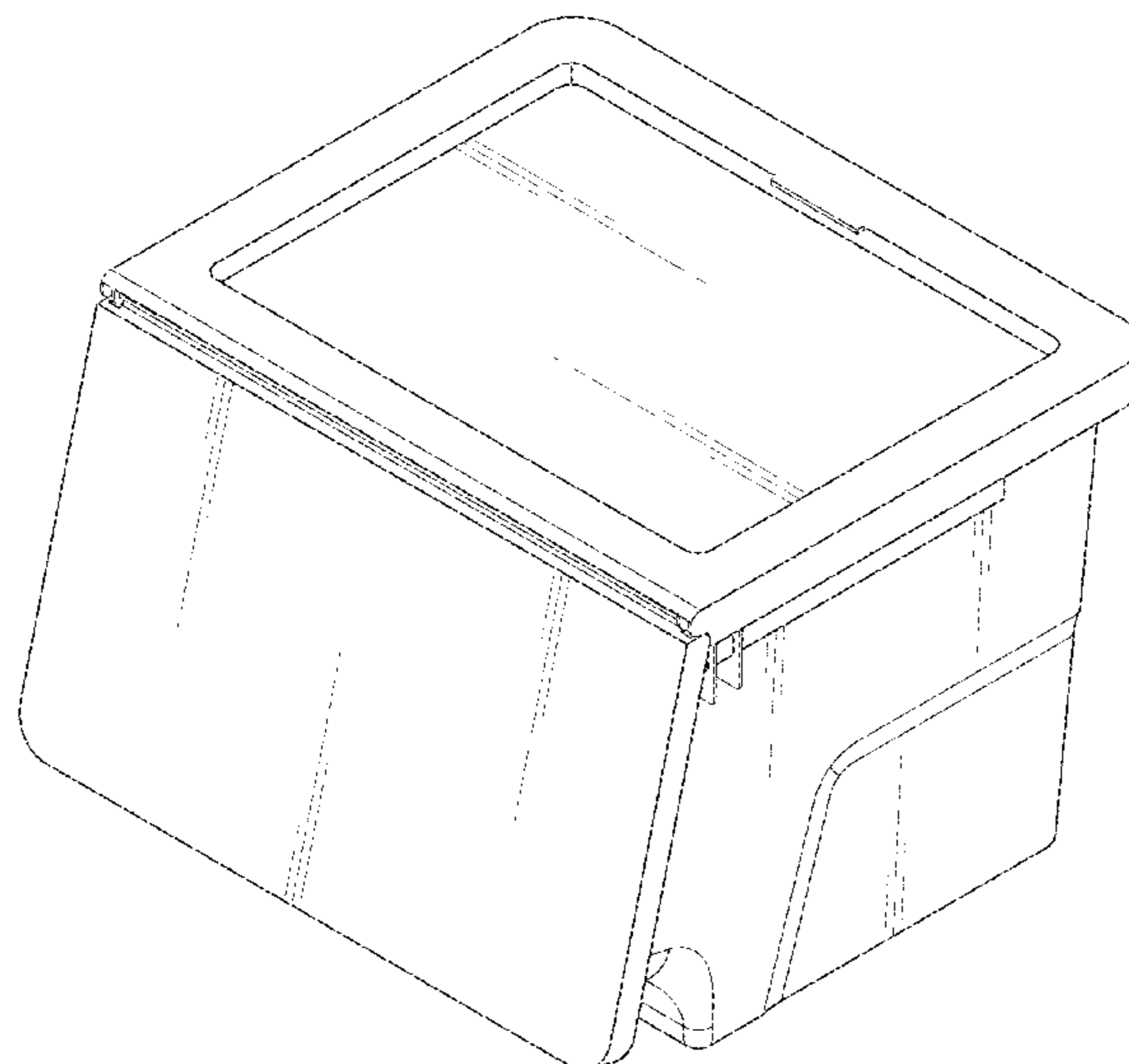
(56) **References Cited**

U.S. PATENT DOCUMENTS

D676,238 S * 2/2013 Wu D3/294
D777,428 S * 1/2017 Hsu D3/273
D778,608 S * 2/2017 Hsu D3/294
D841,980 S * 3/2019 Hsu B65D 25/005
D3/273
D851,933 S * 6/2019 Hsu B65D 43/161
D3/294
2013/0112701 A1 * 5/2013 Wu B65D 21/0219
220/843
2015/0239613 A1 * 8/2015 Hsu B65D 1/22
220/833
2015/0274382 A1 * 10/2015 Hsu B65D 43/161
220/324

(Continued)

1 Claim, 12 Drawing Sheets



(56)

References Cited

U.S. PATENT DOCUMENTS

2016/0272369 A1* 9/2016 Hsu B65D 25/005
2017/0107021 A1* 4/2017 Wu B65D 43/161

* cited by examiner

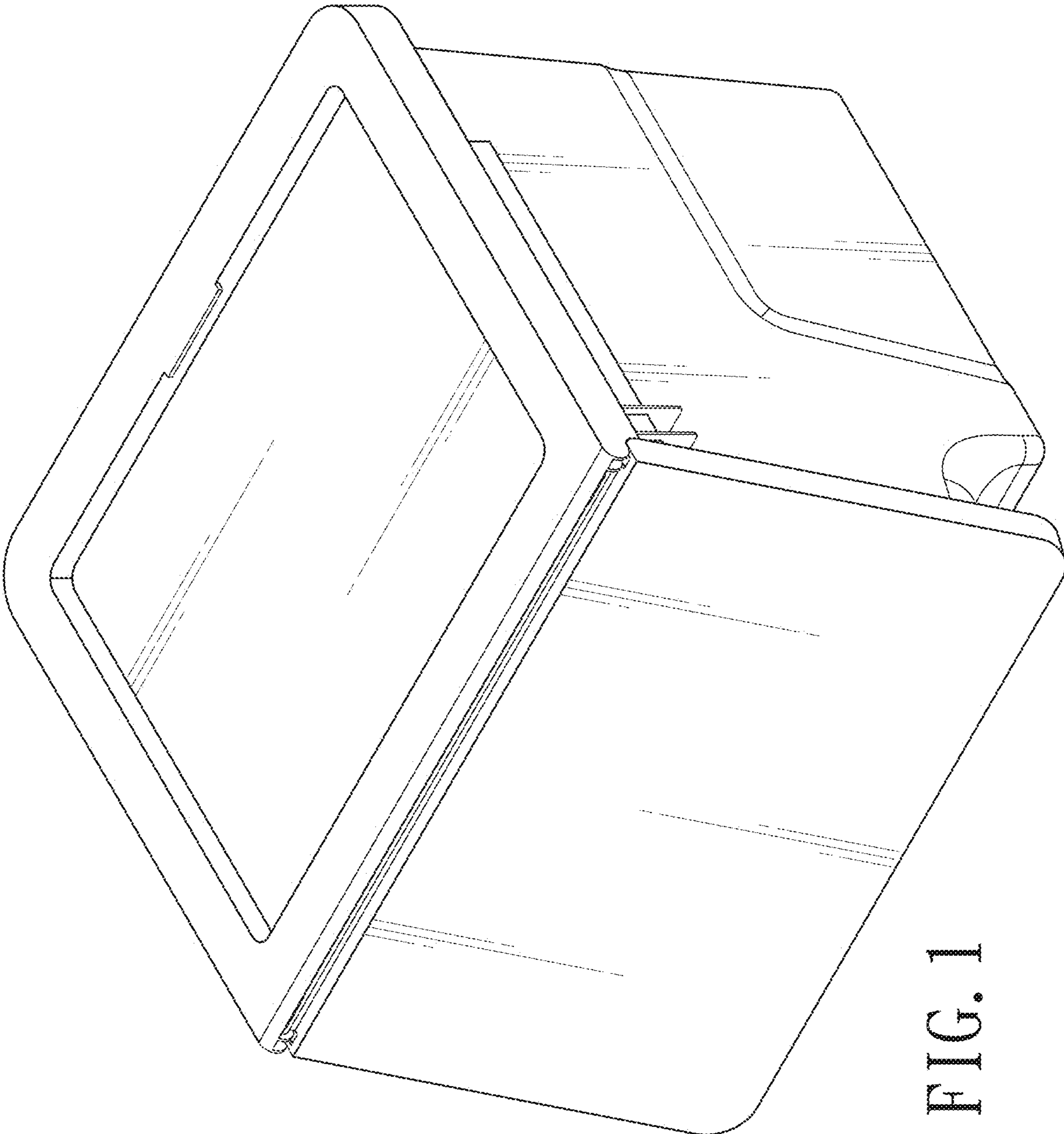


FIG. 1

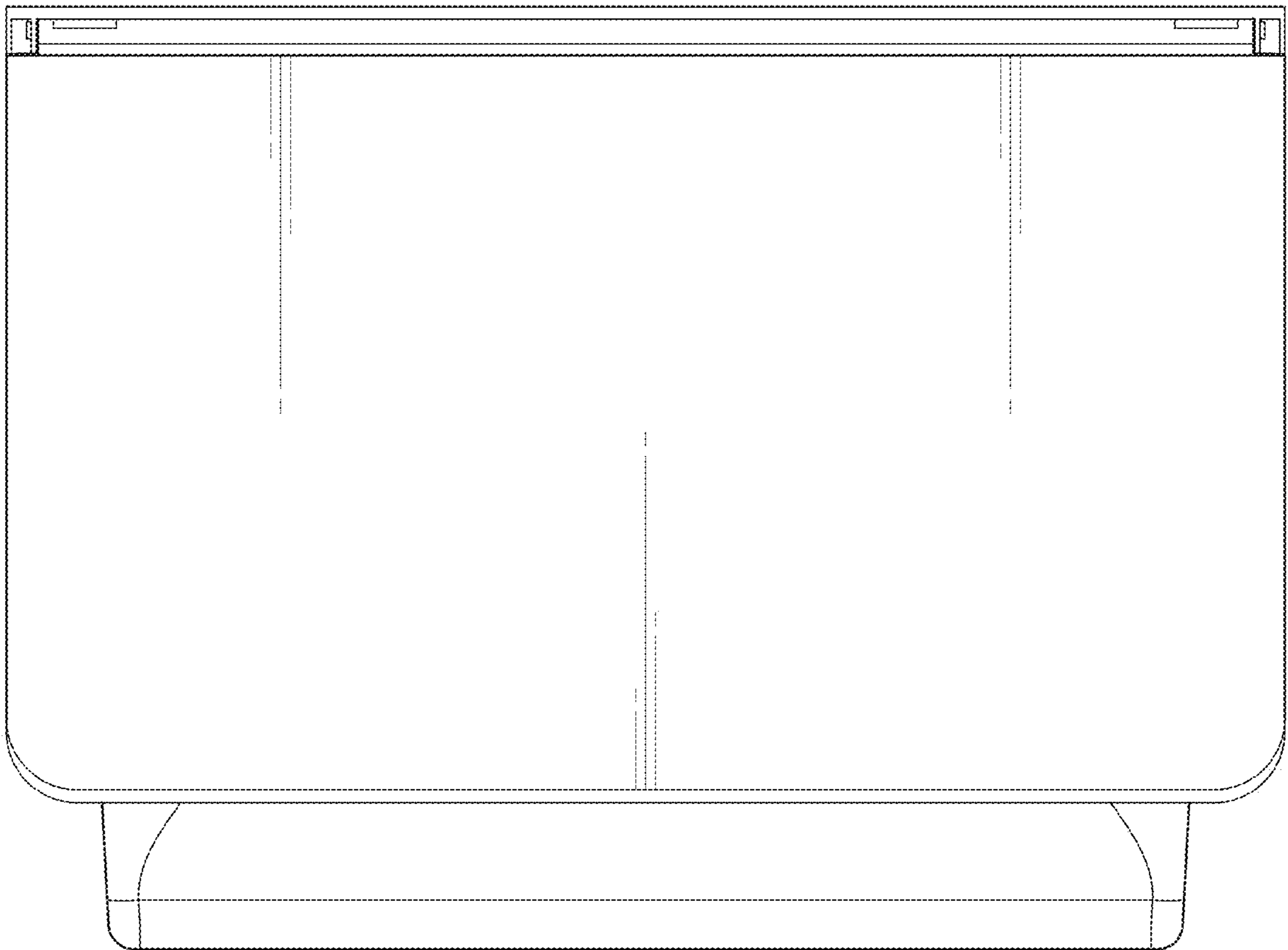


FIG. 2

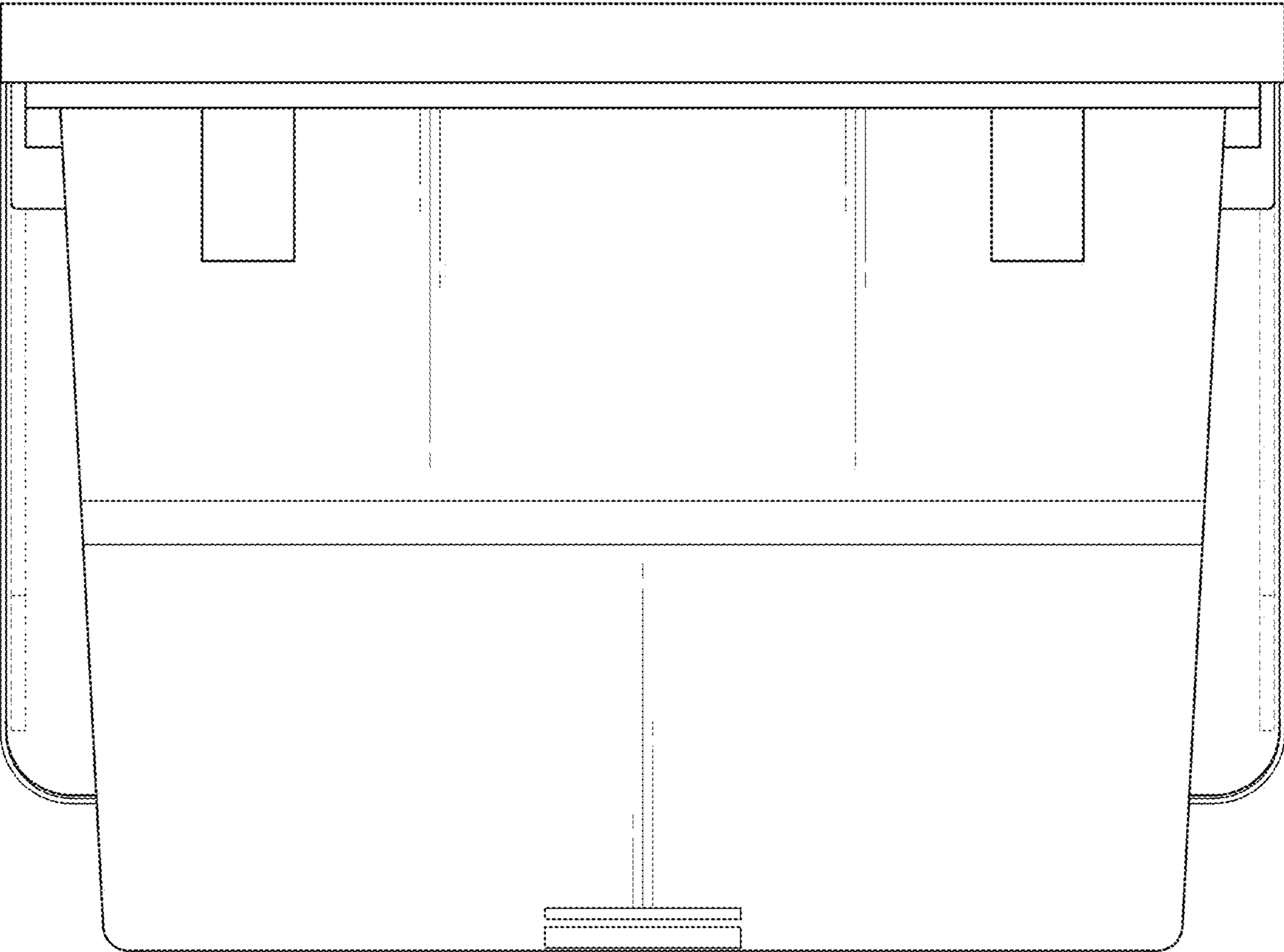


FIG. 3

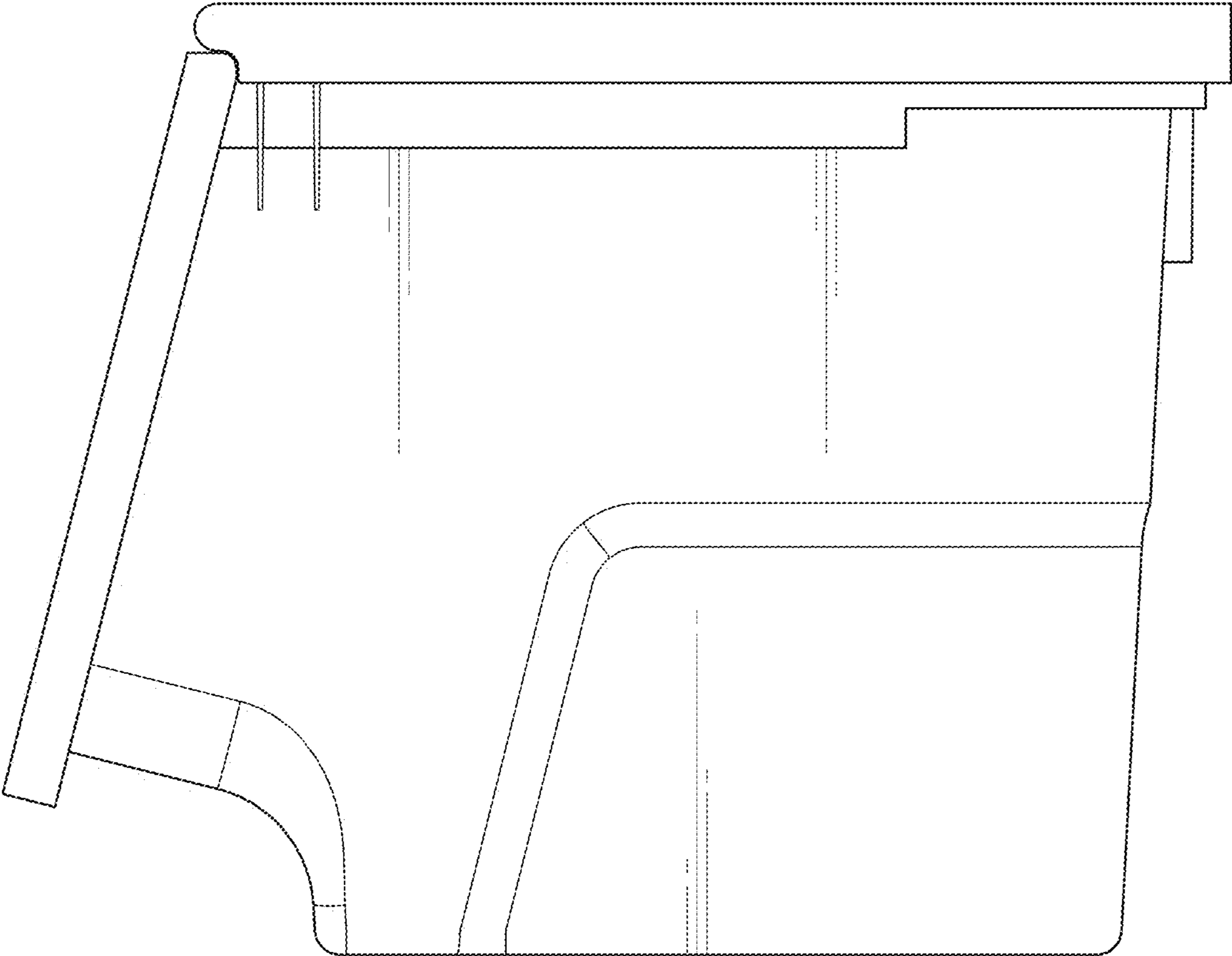


FIG. 4

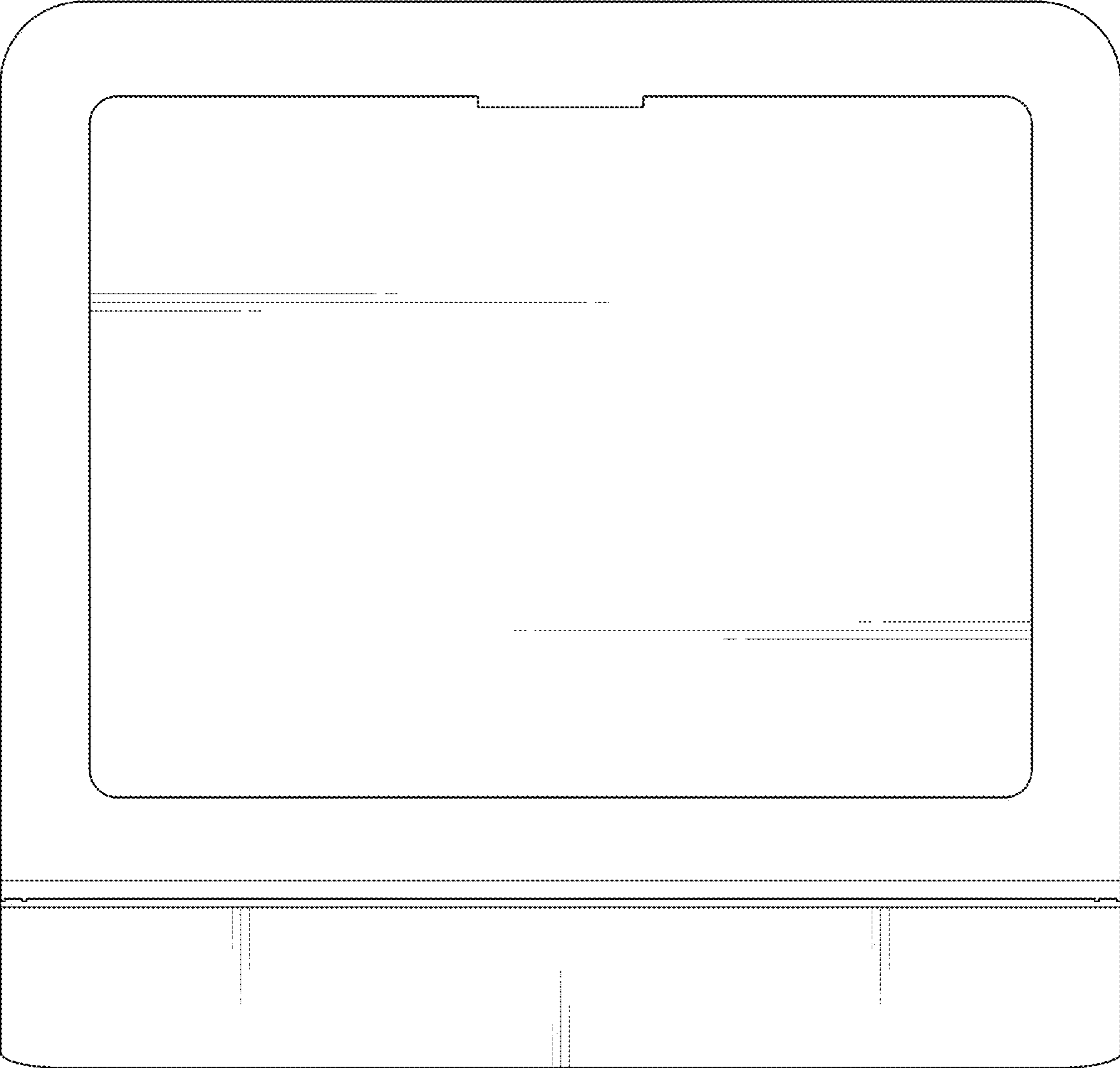


FIG. 5

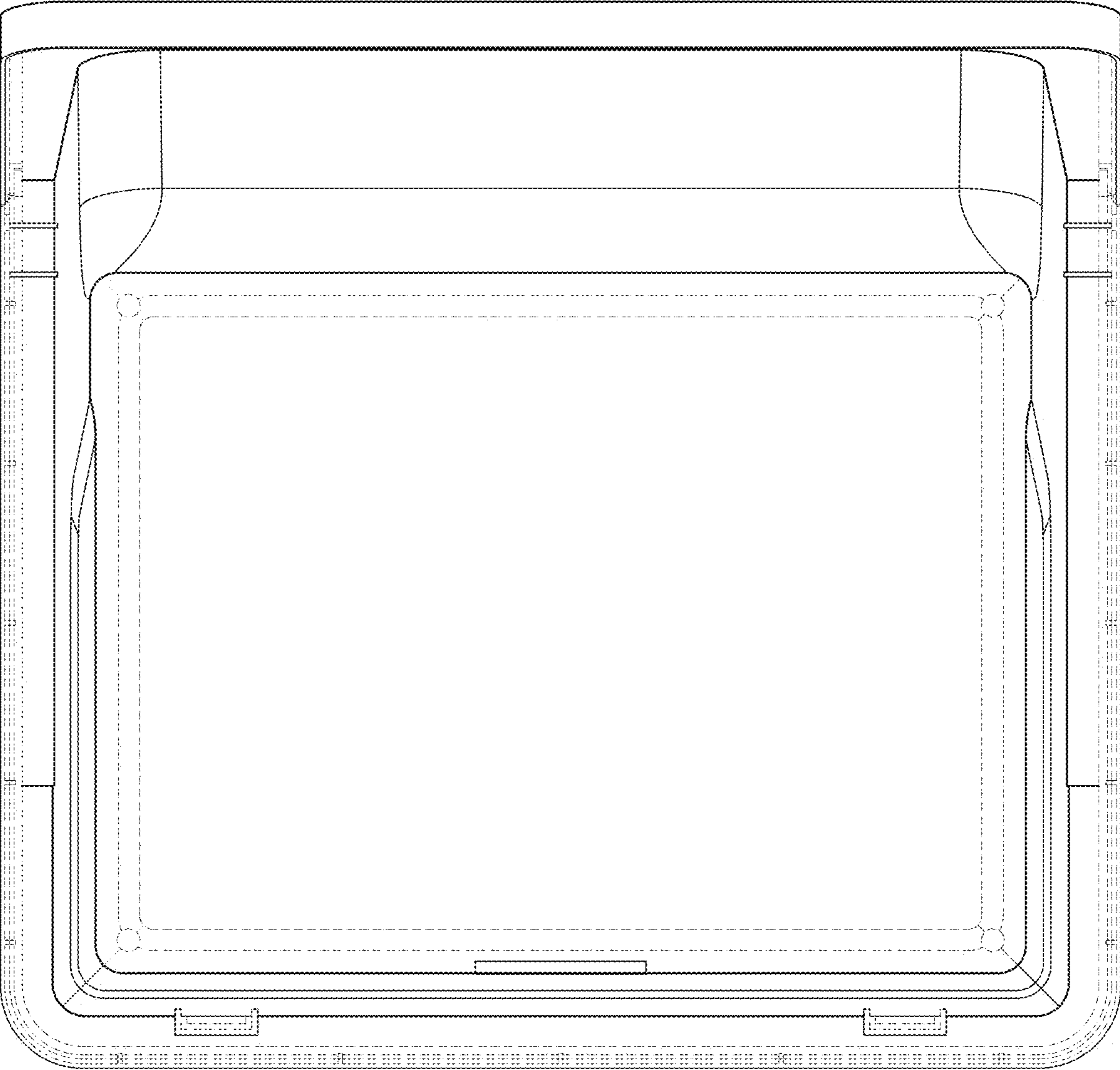


FIG. 6

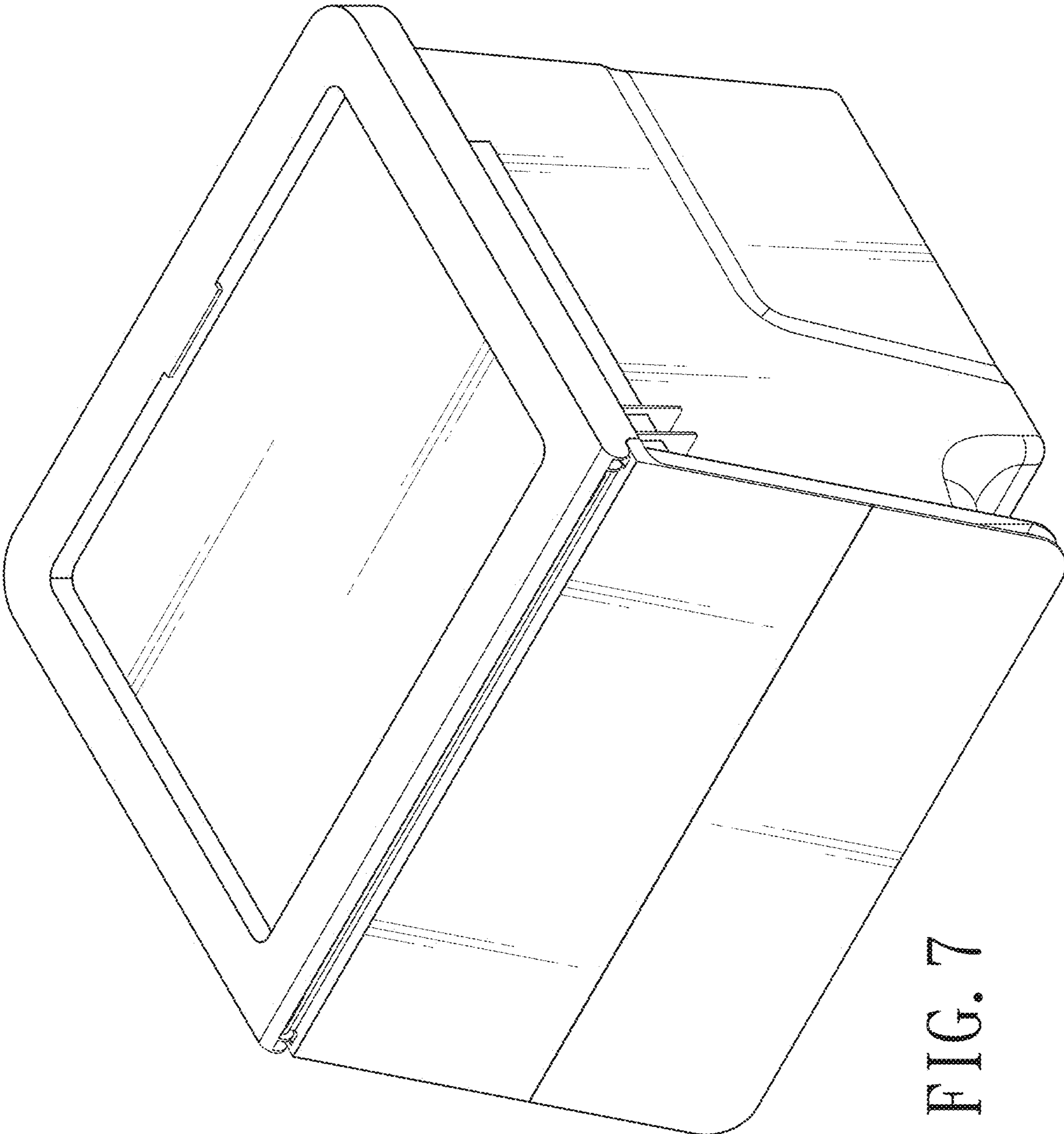


FIG. 7

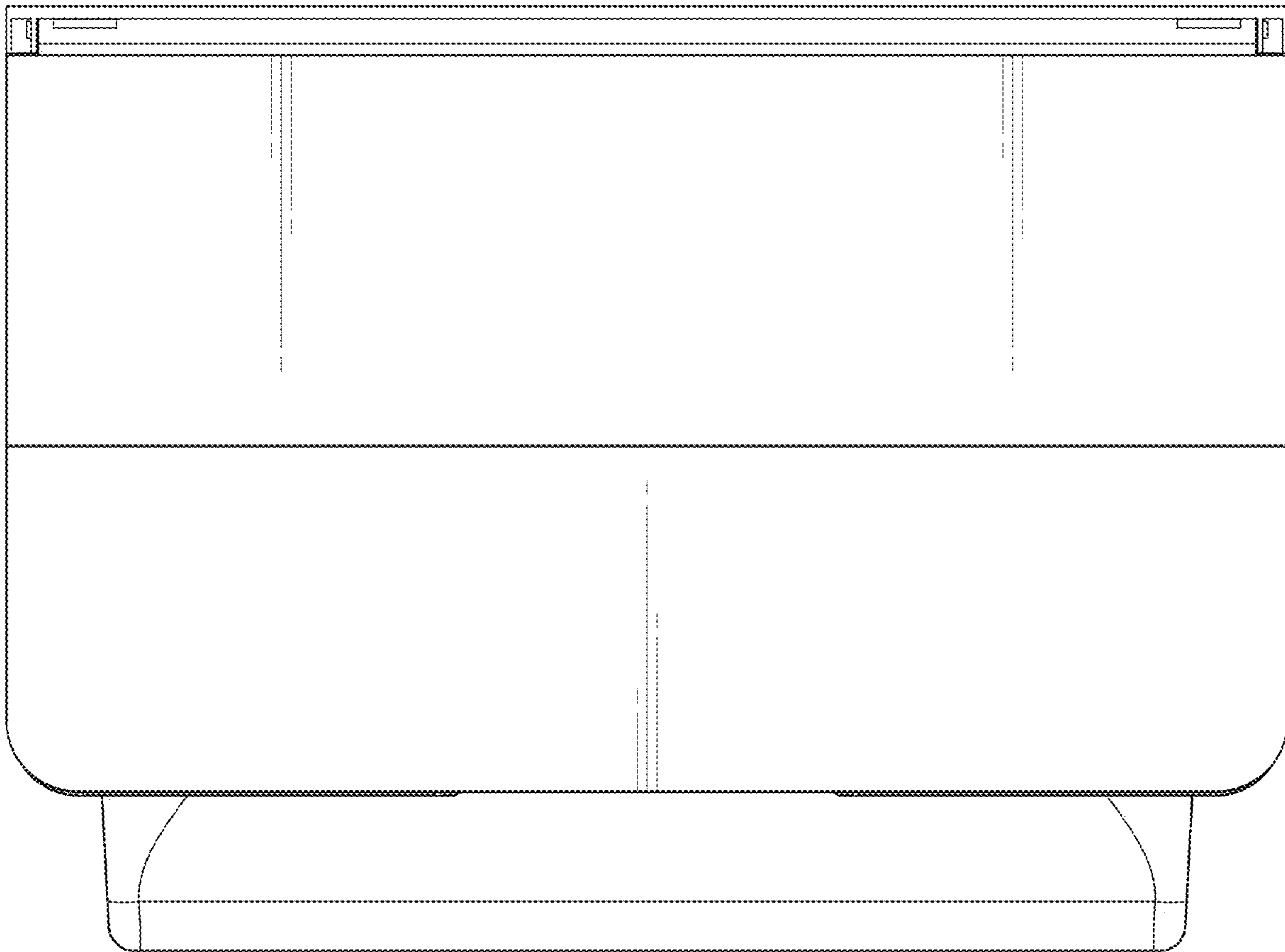


FIG. 8

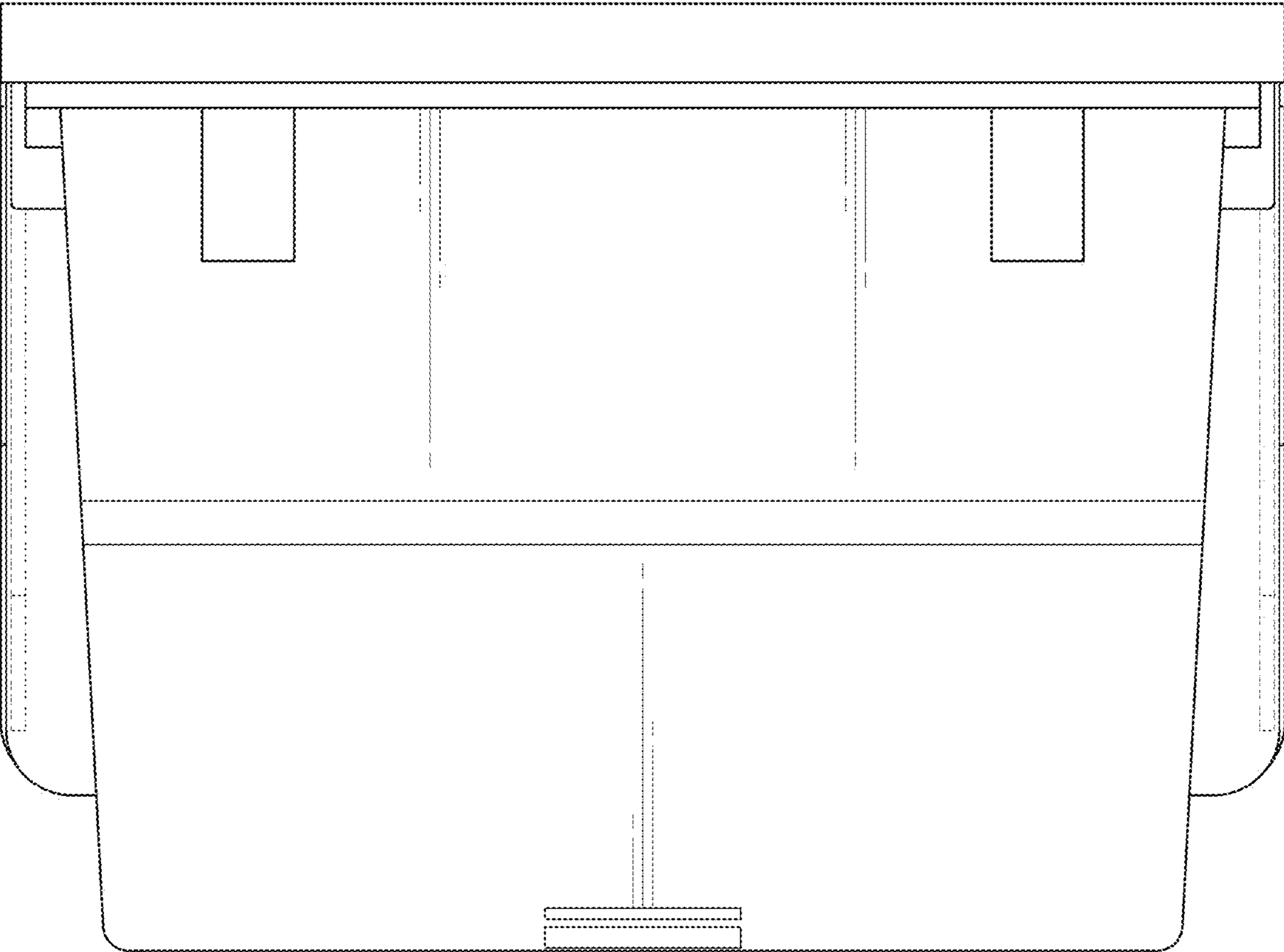


FIG. 9

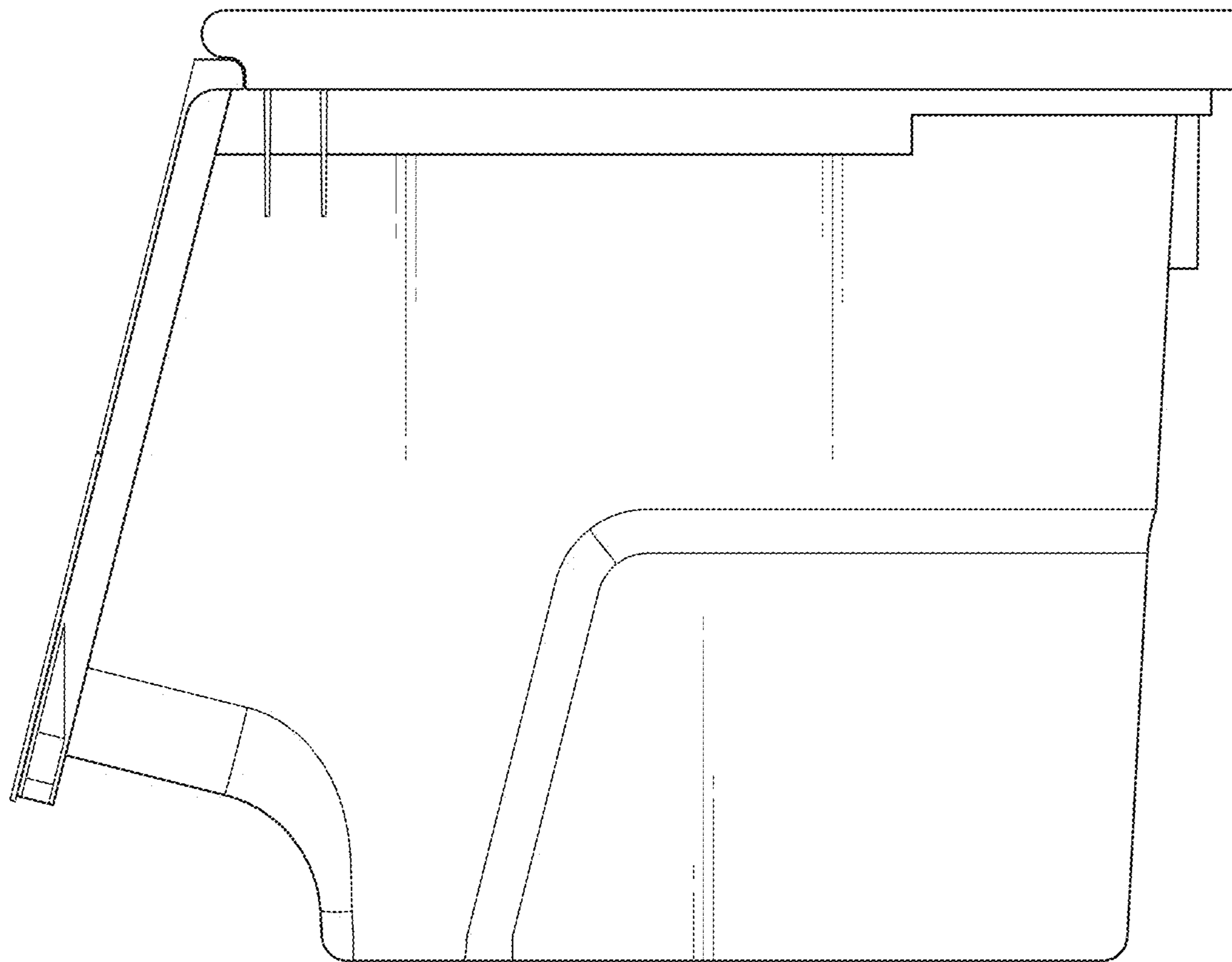


FIG. 10

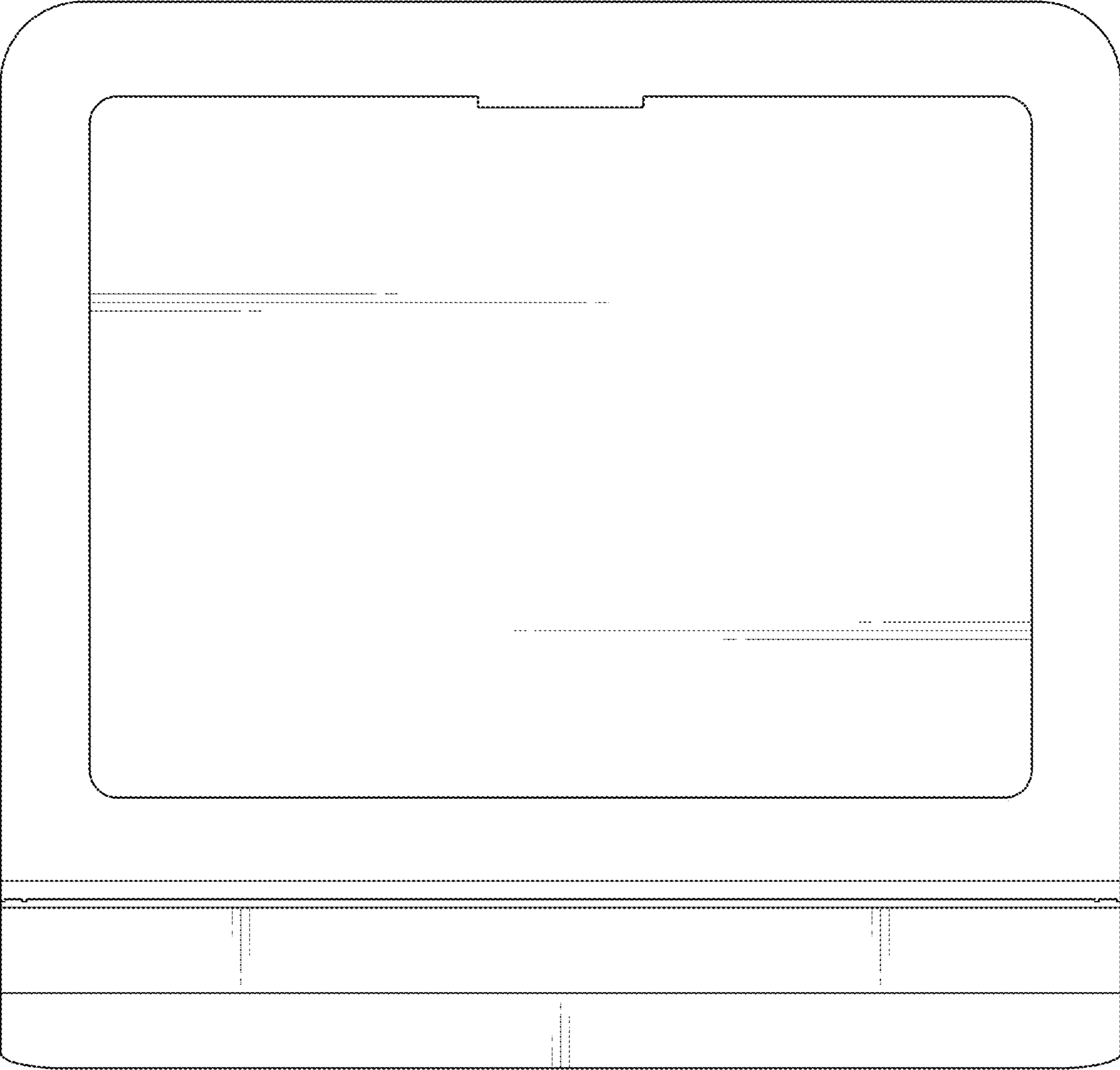


FIG. 11

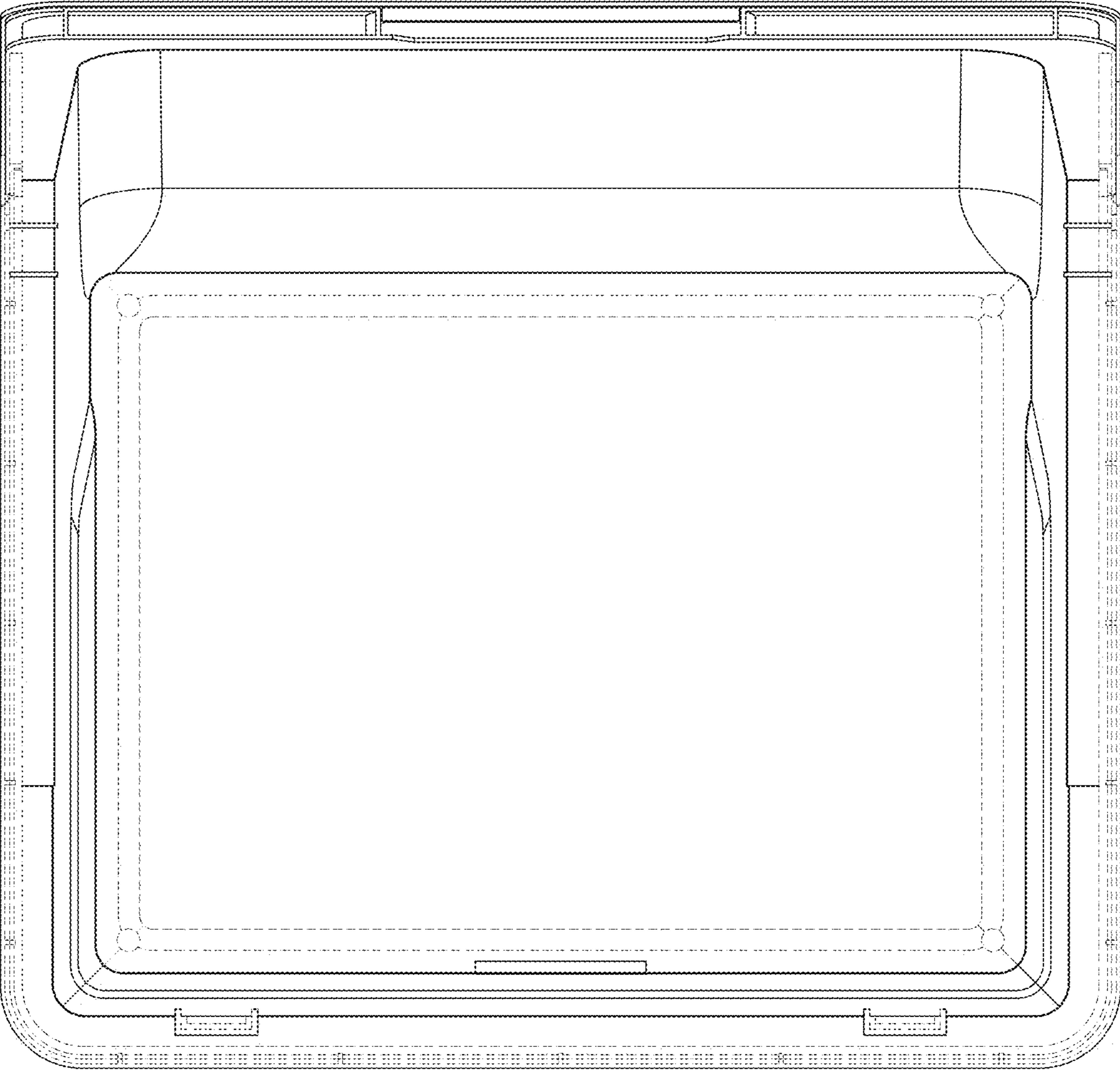


FIG. 12