



US00D974036S

(12) **United States Design Patent**
Levy et al.

(10) **Patent No.:** **US D974,036 S**
(45) **Date of Patent:** **** Jan. 3, 2023**

(54) **EARBUD CASE**

(71) Applicant: **Navajo Manufacturing Company, Inc.**, Denver, CO (US)
(72) Inventors: **Gordon Levy**, Golden, CO (US); **Shawn Shelton**, Highlands Ranch, CO (US)
(73) Assignee: **Navajo Manufacturing Company, Inc.**, Denver, CO (US)
(**) Term: **15 Years**

(21) Appl. No.: **29/794,558**

(22) Filed: **Jun. 14, 2021**

(51) **LOC (14) Cl.** **03-01**

(52) **U.S. Cl.**
USPC **D3/294**

(58) **Field of Classification Search**

USPC D3/201, 203.1, 203.2, 203.3, 203.4, D3/203.5, 203.6, 203.7, 203.8, 204–212, D3/254–258, 263, 264, 273, 294, 298, D3/299; D7/601, 602, 609, 619.1, D7/631–633, 635, 637, 638; D8/414, D8/420–423, 434, 435, 499, 700, 701; D13/108; D14/203.4, 203.5, 203.6, D14/509–511, 205, 223; D24/224–227
CPC A45D 29/20; A45D 44/18; A45F 3/48; A45C 11/00; A45C 11/005; A45C 11/008; A45C 11/04; A45C 11/043; A45C 11/046; A45C 11/08; A45C 11/14; A45C 11/182; A45C 11/24; A45C 11/26; A45C 11/32; A45C 11/321; A45C 11/34; A45C 11/36; A45C 2011/001; A45C 2011/002; A45C 2011/003; A45C 2011/006; A45C

(Continued)

(56) **References Cited**

U.S. PATENT DOCUMENTS

D179,756 S * 2/1957 Bond D3/205
D306,094 S * 2/1990 Carmichael D3/276

(Continued)

FOREIGN PATENT DOCUMENTS

CN 306583861 * 6/2021
EM 008322028-0001 * 3/2021

(Continued)

OTHER PUBLICATIONS

Wholesale True Wireless Stereo Earbuds, available [kellisgifts.com](https://www.kellisgifts.com), date not available [online], site visited Aug. 2, 2022, available from the internet URL: <https://www.kellisgifts.com/true-wireless-stereo-earbuds/> (Year: 2022).*

(Continued)

Primary Examiner — Messina L Smith

Assistant Examiner — Jillian Mazzola

(74) *Attorney, Agent, or Firm* — Studebaker & Brackett PC

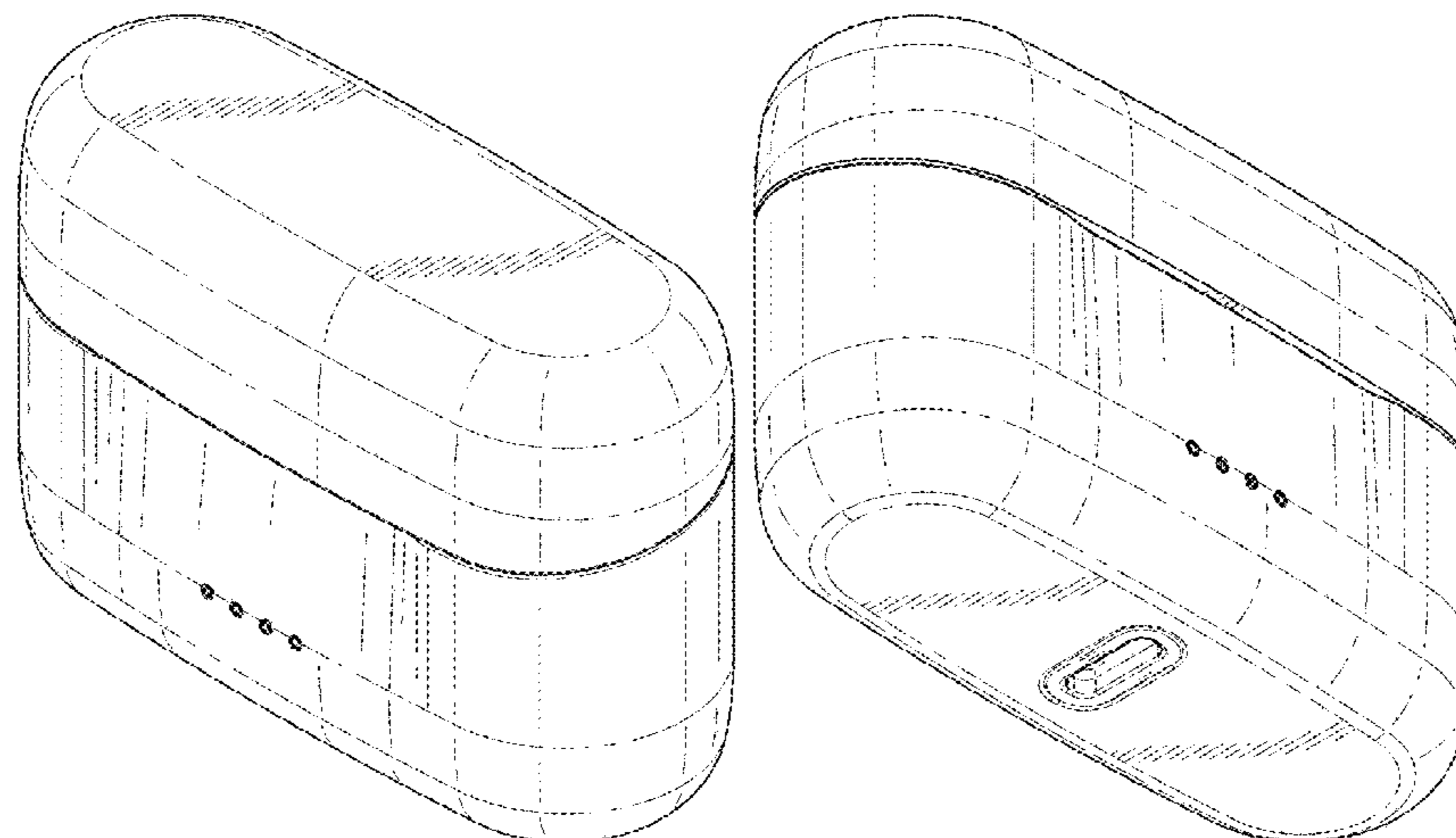
(57) **CLAIM**

The ornamental design for an earbud case, as shown and described.

DESCRIPTION

FIG. 1 is a top perspective view showing our new design for an earbud case,
FIG. 2 is a bottom perspective view thereof,
FIG. 3 is a front view thereof,
FIG. 4 is a rear view thereof,
FIG. 5 is a top view thereof,
FIG. 6 is a bottom view thereof,
FIG. 7 is a left side view thereof,
FIG. 8 is a right side view thereof; and,
FIG. 9 is a front perspective view of the earbud case shown in an alternate configuration in an open position.
The broken lines in the drawings depict portions of the earbud case that form no part of the claimed design.

1 Claim, 5 Drawing Sheets



(58) **Field of Classification Search**
 CPC .. 2011/007; A45C 2011/188; A45C 2011/322;
 A45C 2011/323; A45C 2011/324; A45C
 2011/325; A45C 2011/326; A45C
 2011/327; A45C 2011/329
 See application file for complete search history.

D936,358 S * 11/2021 Lu D3/273
 D938,159 S * 12/2021 Youn D3/273
 D955,986 S * 6/2022 Klein D13/108
 D956,722 S * 7/2022 Zhou D14/223

FOREIGN PATENT DOCUMENTS

RU 00123792 * 2/2021
 RU 00131313 * 5/2022

(56) **References Cited**

U.S. PATENT DOCUMENTS

4,905,857 A * 3/1990 Her A45C 11/22
 206/811
 D351,499 S * 10/1994 Gay D3/276
 D426,950 S * 6/2000 Conway D3/203.5
 D449,521 S * 10/2001 Pinkus D9/423
 D550,210 S * 9/2007 Polany D3/273
 D740,018 S * 10/2015 Zhang D3/265
 D801,314 S 10/2017 Akana et al.
 D806,388 S 1/2018 Akana et al.
 D818,268 S 5/2018 Akana et al.
 D847,125 S 4/2019 Akana et al.
 D849,401 S 5/2019 Akana et al.
 D878,045 S 3/2020 Akana et al.
 D893,166 S * 8/2020 Lu D3/201
 D893,184 S * 8/2020 Liu D3/294
 D897,291 S 9/2020 Akana et al.
 D905,430 S * 12/2020 Kwak D3/273
 D907,049 S * 1/2021 Yu D14/440
 D922,946 S * 6/2021 Chen D3/294
 D934,565 S * 11/2021 Wright D3/298

OTHER PUBLICATIONS

M1 Airdots earphones, available at shopee.ph, earliest customer review date available Jul. 15, 2020 [online], site visited Aug. 2, 2022, available from the internet URL: <https://shopee.ph/M1-Airdots-Bluetooth-earphones-wireless-earbuds-stereo-surround-Magnetic-charge-with-mic-i.140389596.2791952404> (Year: 2020).*

U & I Lock Series True Wireless Stereo Earbuds, available at [amazon.in](https://www.amazon.in/Lock-True-Wireless-Stereo-Earbuds/dp/B08BFM29PK), earliest date available Jun. 18, 2020 [online], site visited Aug. 2, 2022, available from the internet URL: <https://www.amazon.in/Lock-True-Wireless-Stereo-Earbuds/dp/B08BFM29PK> (Year: 2020).*

AT&T True Wireless Headphones with Charging Case, available at [walmart.com](https://www.walmart.com/ip/AT-T-True-Wireless-Headphones-with-Charging-Case-White-T10-WHT/999321745), date not available [online], site visited Aug. 2, 2022, available from the internet URL: <https://www.walmart.com/ip/AT-T-True-Wireless-Headphones-with-Charging-Case-White-T10-WHT/999321745> (Year: 2022).*

* cited by examiner

FIG. 1

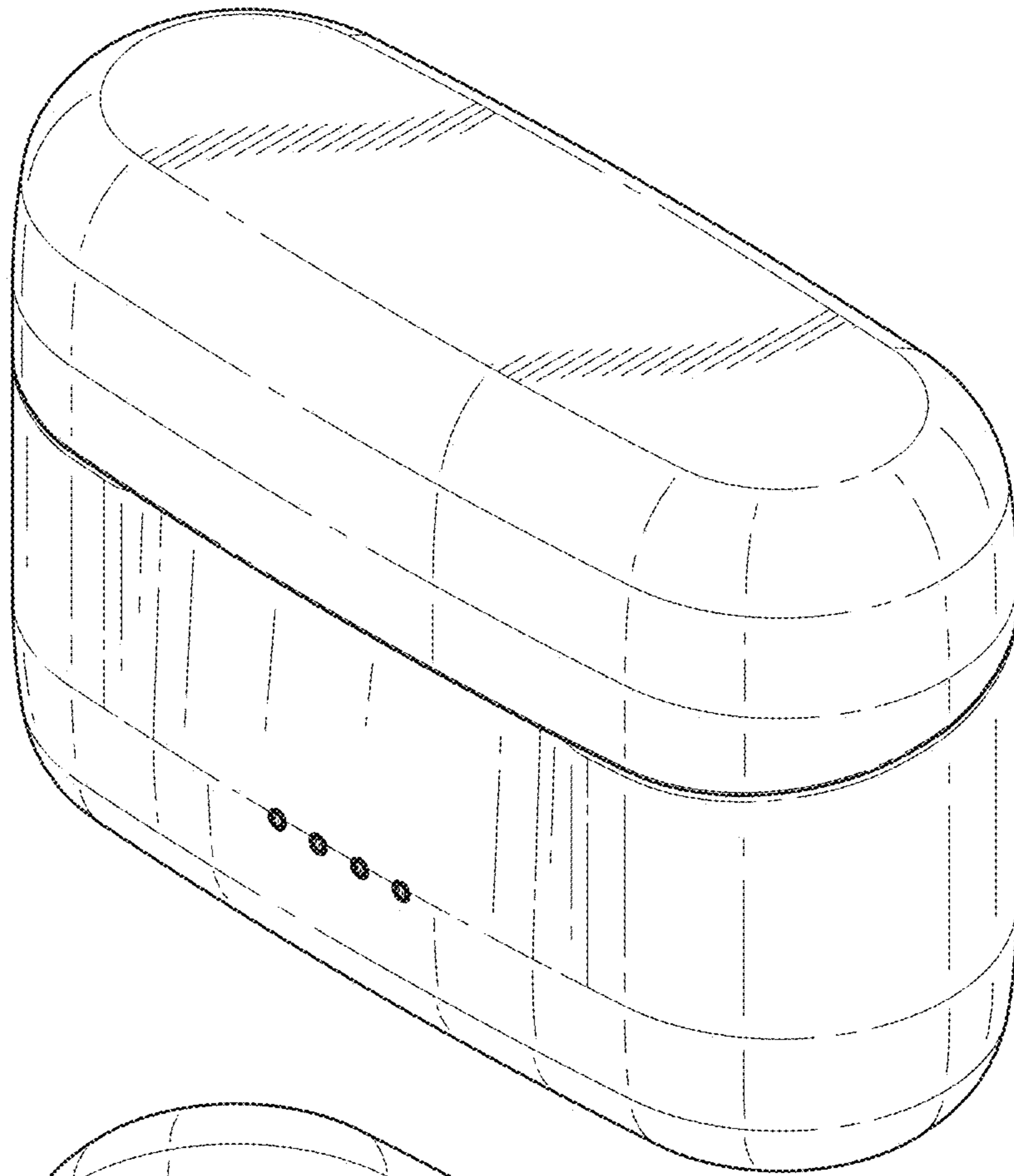
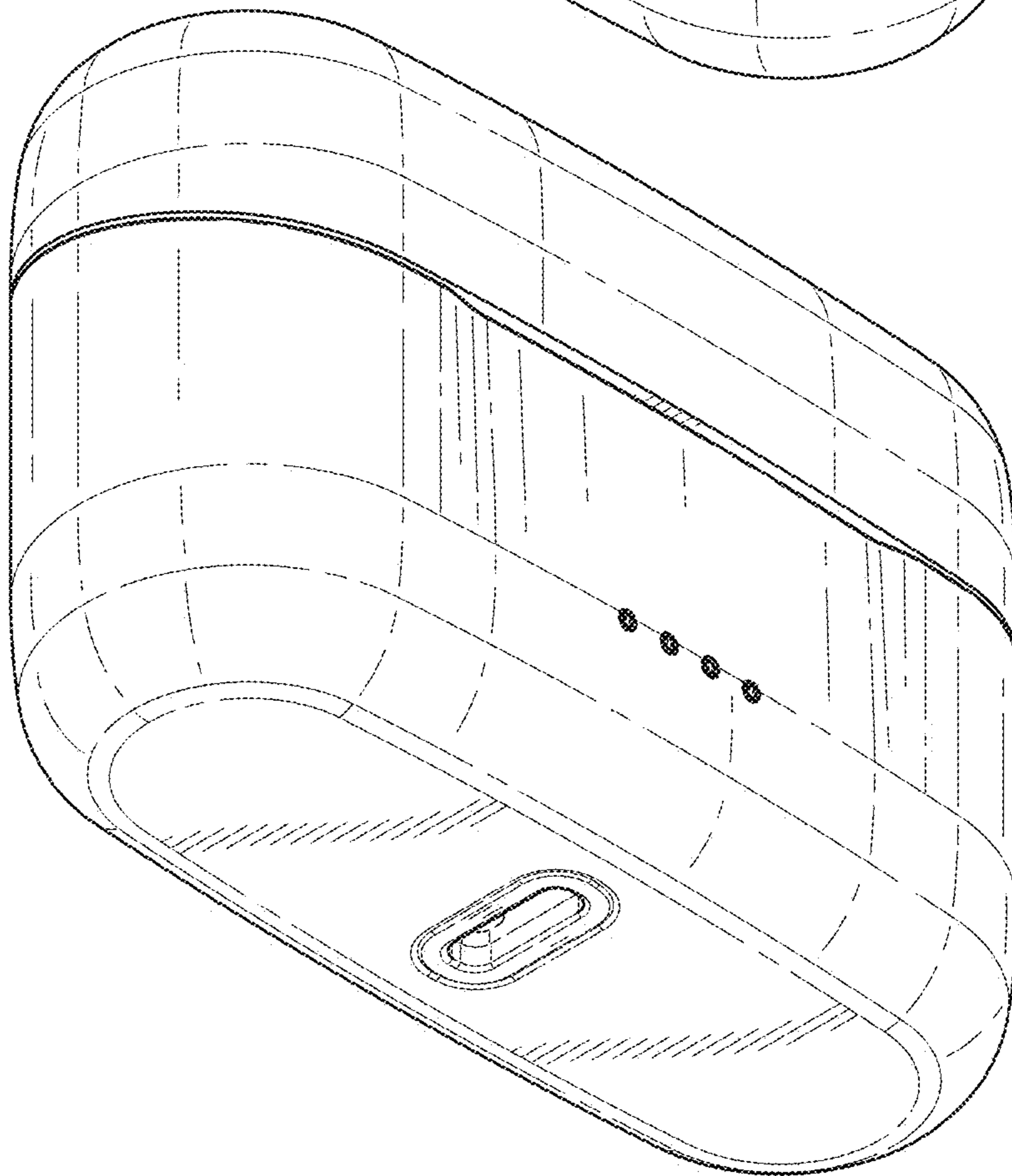


FIG. 2



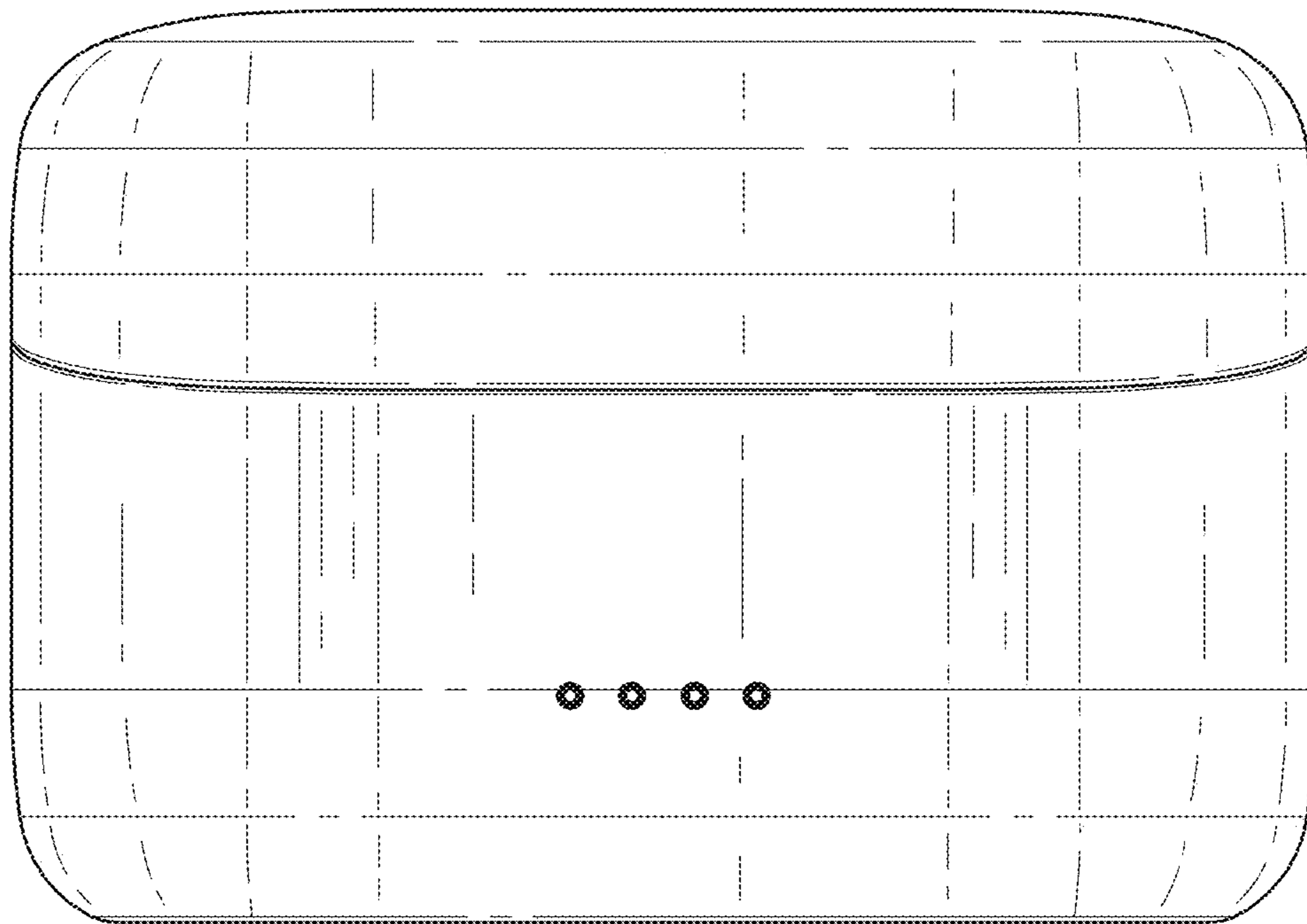


FIG. 3

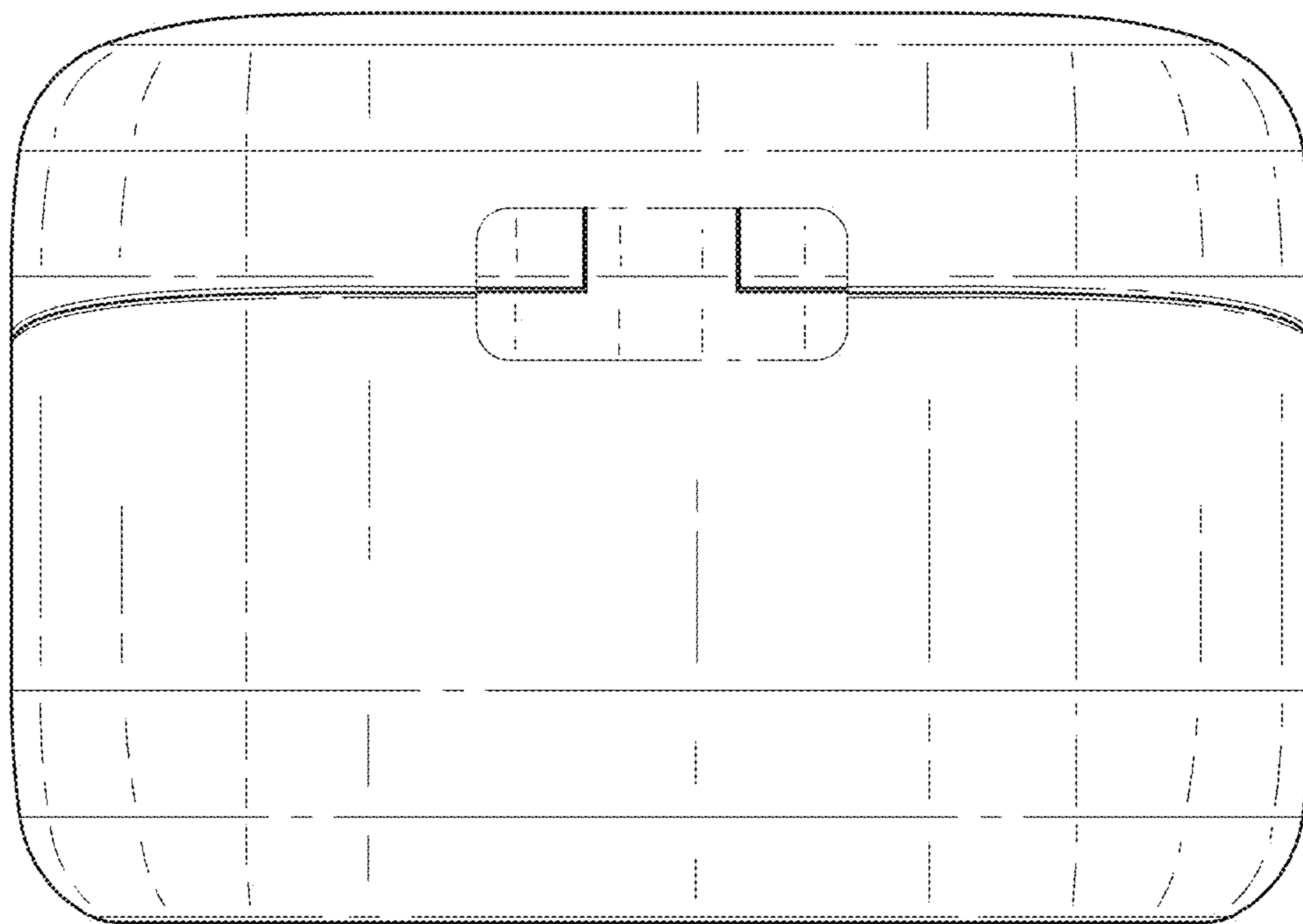


FIG. 4

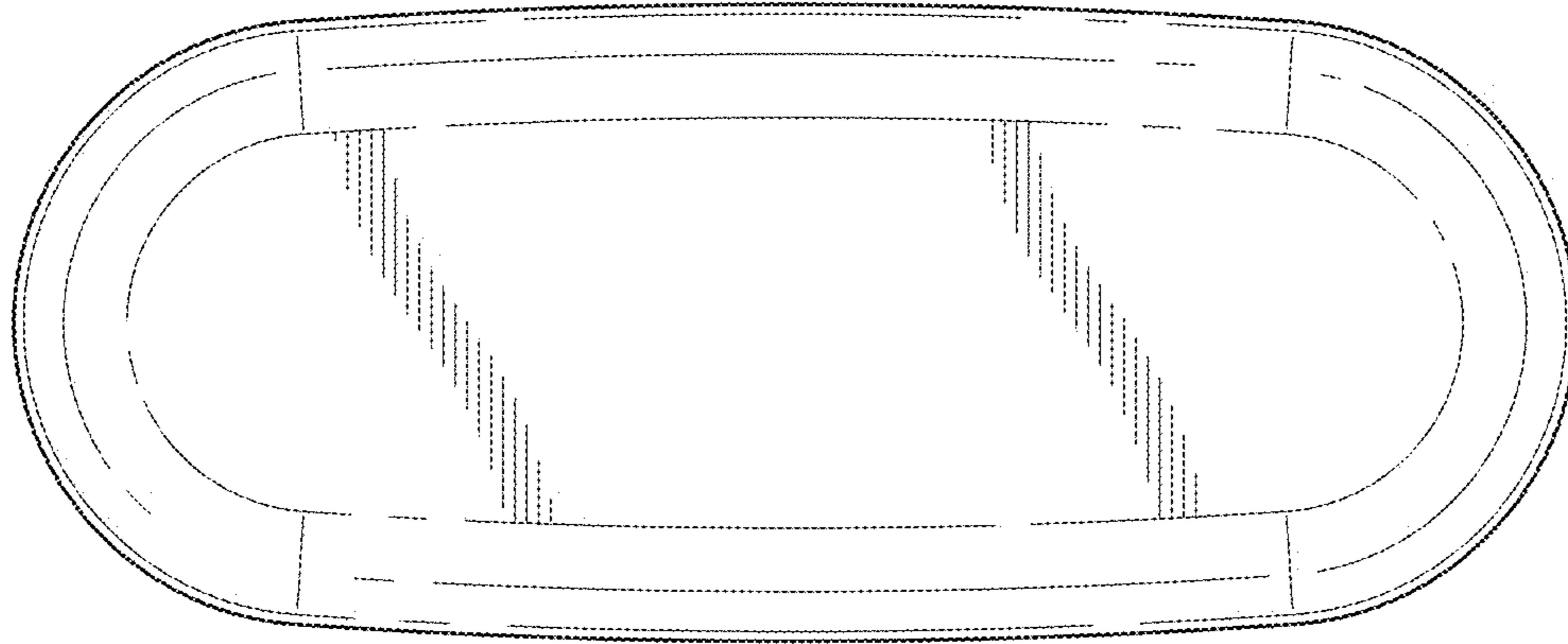


FIG. 5

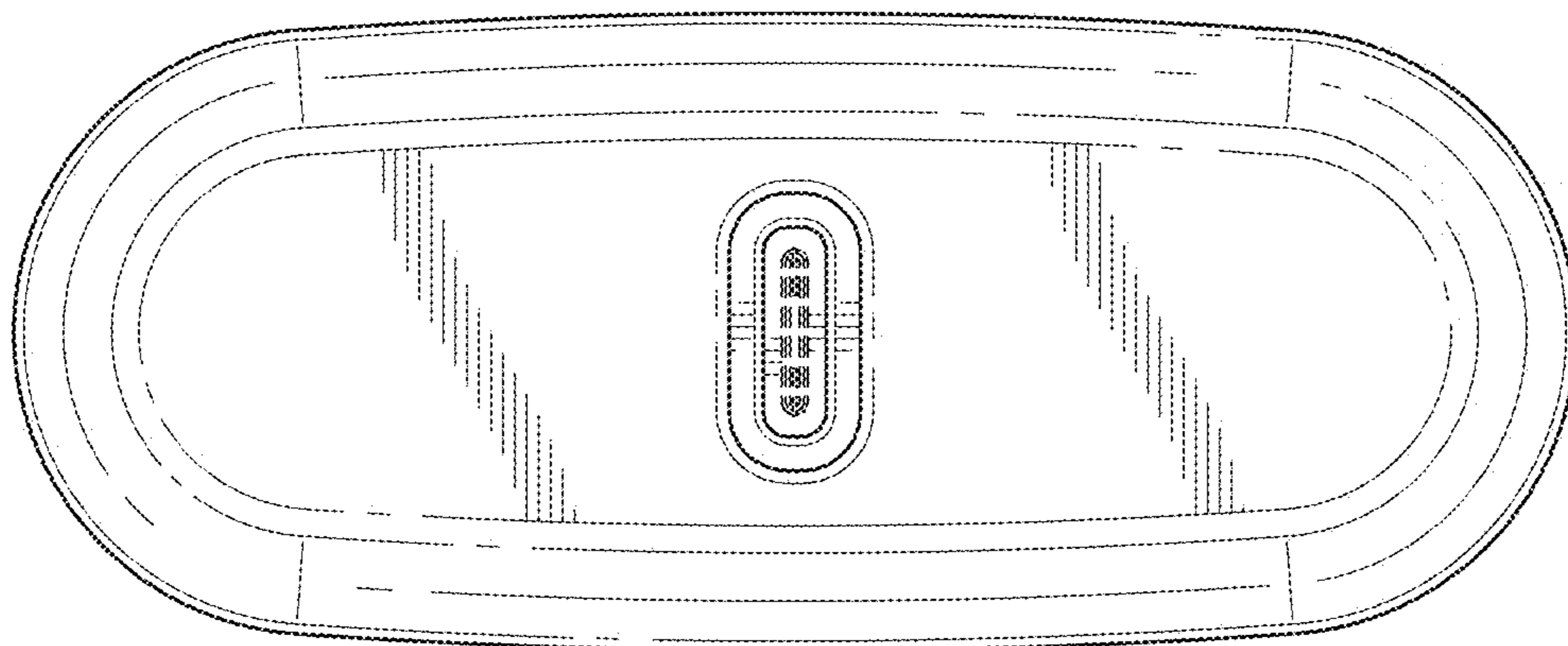


FIG. 6

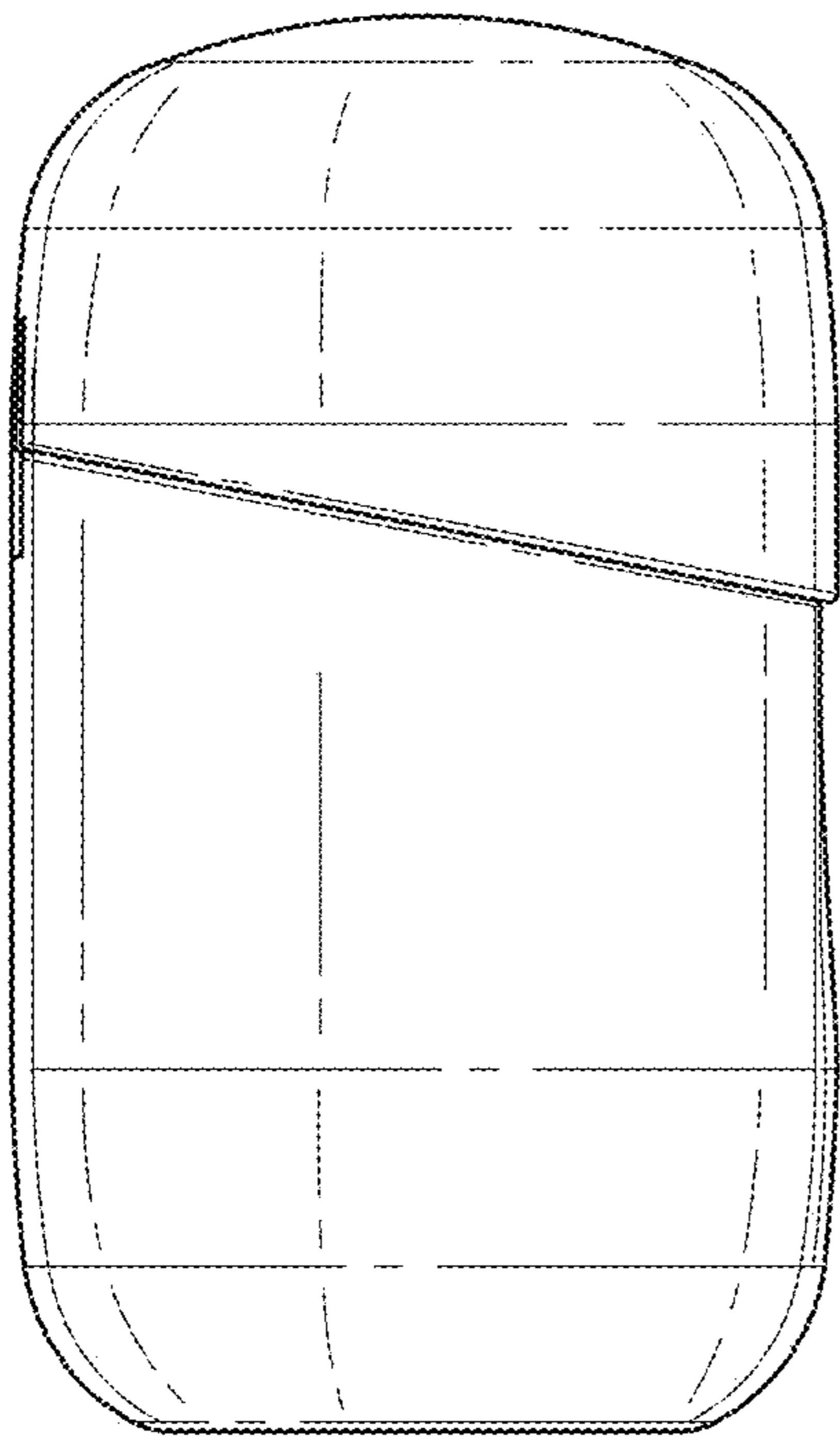


FIG. 7

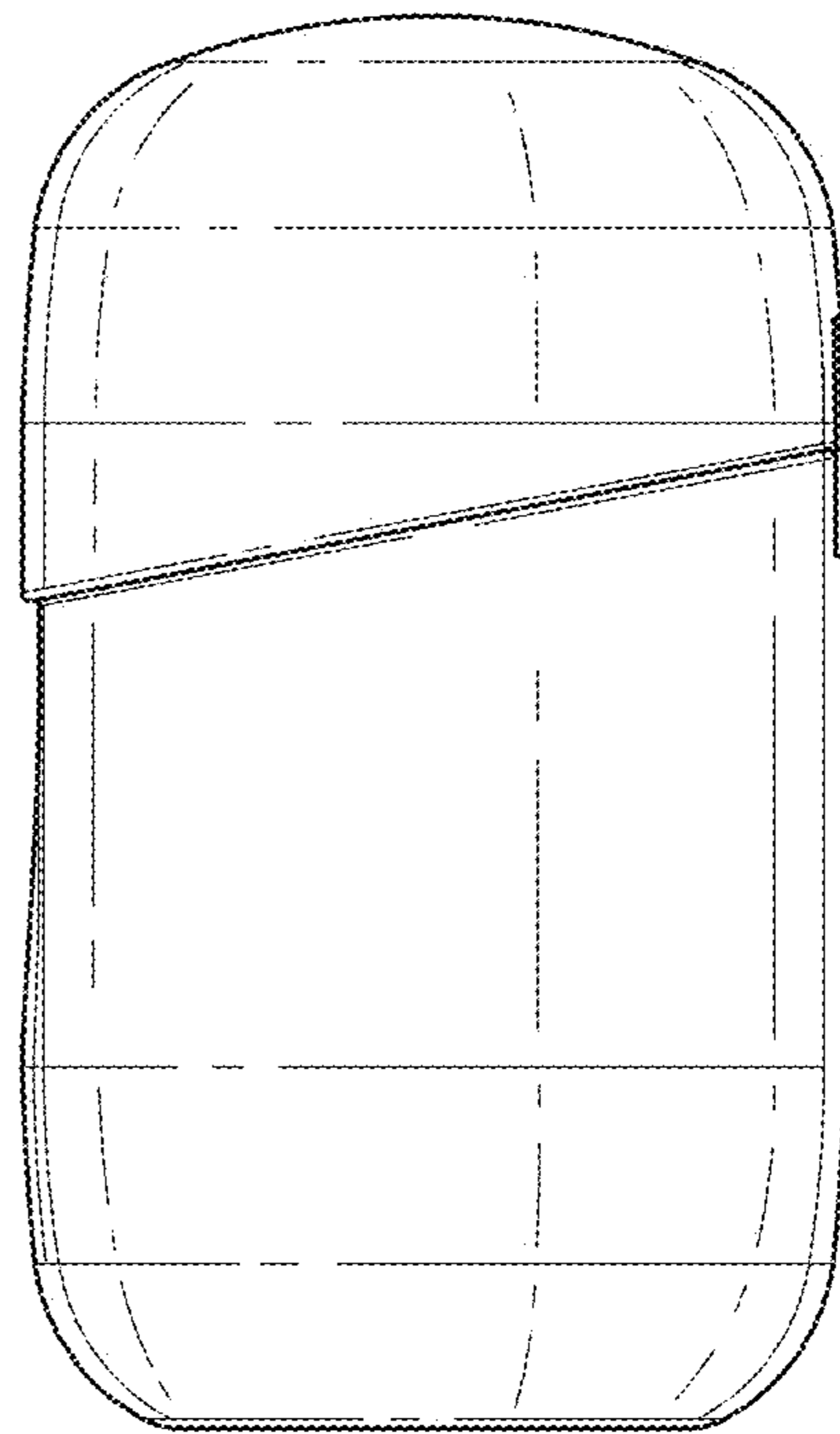


FIG. 8

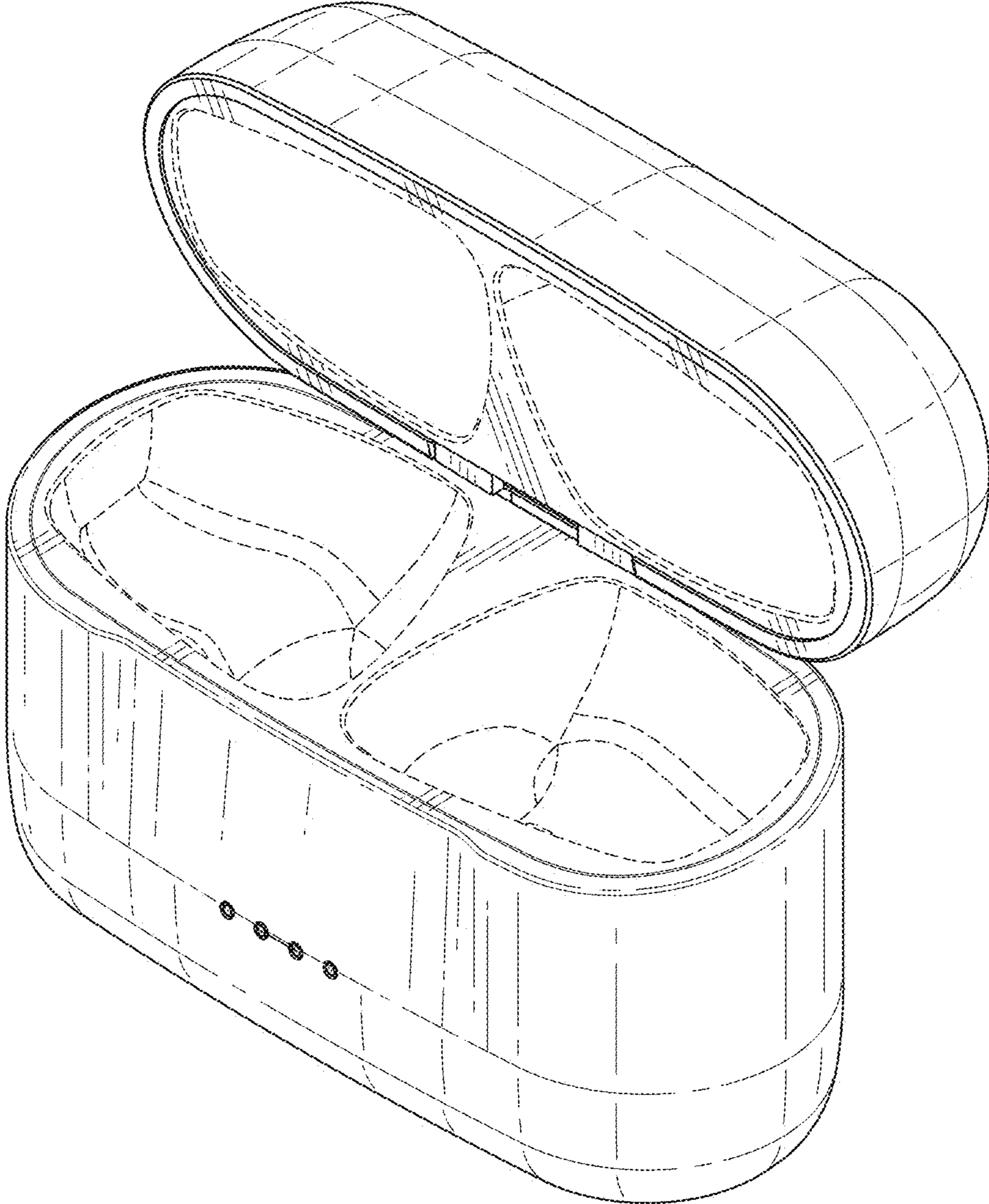


FIG. 9