



US00D974034S

(12) **United States Design Patent**  
**Fang**

(10) **Patent No.:** **US D974,034 S**  
(45) **Date of Patent:** **\*\* Jan. 3, 2023**

(54) **TOILETRY BAG**

(71) Applicant: **XIAMEN ZEMU E-COMMERCE CO., LTD.**, Xiamen (CN)

(72) Inventor: **Ting Fang**, Xiamen (CN)

(73) Assignee: **XIAMEN ZEMU E-COMMERCE CO., LTD.**, Xiamen (CN)

(\*\*) Term: **15 Years**

(21) Appl. No.: **29/814,708**

(22) Filed: **Nov. 8, 2021**

(51) **LOC (14) Cl.** ..... **03-01**

(52) **U.S. Cl.**  
USPC ..... **D3/285; D3/283; D3/289; D3/901**

(58) **Field of Classification Search**  
USPC ..... D7/637, 641; D3/273, 276, 285, 287,  
D3/283, 289, 301, 901, 903, 206;  
D19/83, 85  
CPC ..... A47G 29/08; A47J 45/02; A45C 11/008;  
A45C 5/005; A45D 44/18  
See application file for complete search history.

(56) **References Cited**

**U.S. PATENT DOCUMENTS**

D338,104 S *	8/1993	Lee	.....	D3/289
D415,347 S *	10/1999	Imbert	.....	D3/276
D560,361 S *	1/2008	Huang	.....	D3/301
D618,966 S *	7/2010	Koehler	.....	D7/607
D721,493 S *	1/2015	Godshaw	.....	D3/301
D739,142 S *	9/2015	Coleman	.....	D3/285
D790,211 S *	6/2017	Constantini	.....	D3/205
D852,491 S	7/2019	Wantland		
D854,827 S *	7/2019	Yuan	.....	D3/289
D857,375 S	8/2019	Case et al.		
D885,749 S *	6/2020	Yuan	.....	D3/205
2002/0096409 A1 *	7/2002	Roegner	.....	A45C 13/02 190/109

**OTHER PUBLICATIONS**

Amazon, "NISHEL Travel Toiletry Bag", First reviewed Mar. 17, 2021, (<https://www.amazon.com/dp/B08W3CV69F/?th=1>) (Year: 2021).\*

Amazon, "Travel Toiletry Bag, Bagsmart Large", First reviewed Jul. 12, 2021. <https://www.amazon.com/dp/B0978PYC9R/?th=1>) (Year: 2021).\*

\* cited by examiner

*Primary Examiner* — April Rivas

(57) **CLAIM**

The ornamental design for a toiletry bag, as shown and described.

**DESCRIPTION**

FIG. 1 is a front perspective view of a toiletry bag showing my new design;  
FIG. 2 is a rear side perspective view thereof;  
FIG. 3 is a front elevational view thereof;  
FIG. 4 is a rear elevational view thereof;  
FIG. 5 is a left side elevational view thereof;  
FIG. 6 is a right side elevational view thereof;  
FIG. 7 is a top plan view thereof;  
FIG. 8 is a bottom plan view thereof;  
FIG. 9 is a top perspective view of the toiletry bag where the toiletry bag is in a closed state; and,  
FIG. 10 is an enlarged view of portion 10 shown in FIG. 2. The dash-dash broken lines in the drawings depict portions of the toiletry bag that form no part of the claimed design. The dot-dash broken lines represent the boundary of the enlarged portions and form no part of the claimed design.

**1 Claim, 10 Drawing Sheets**



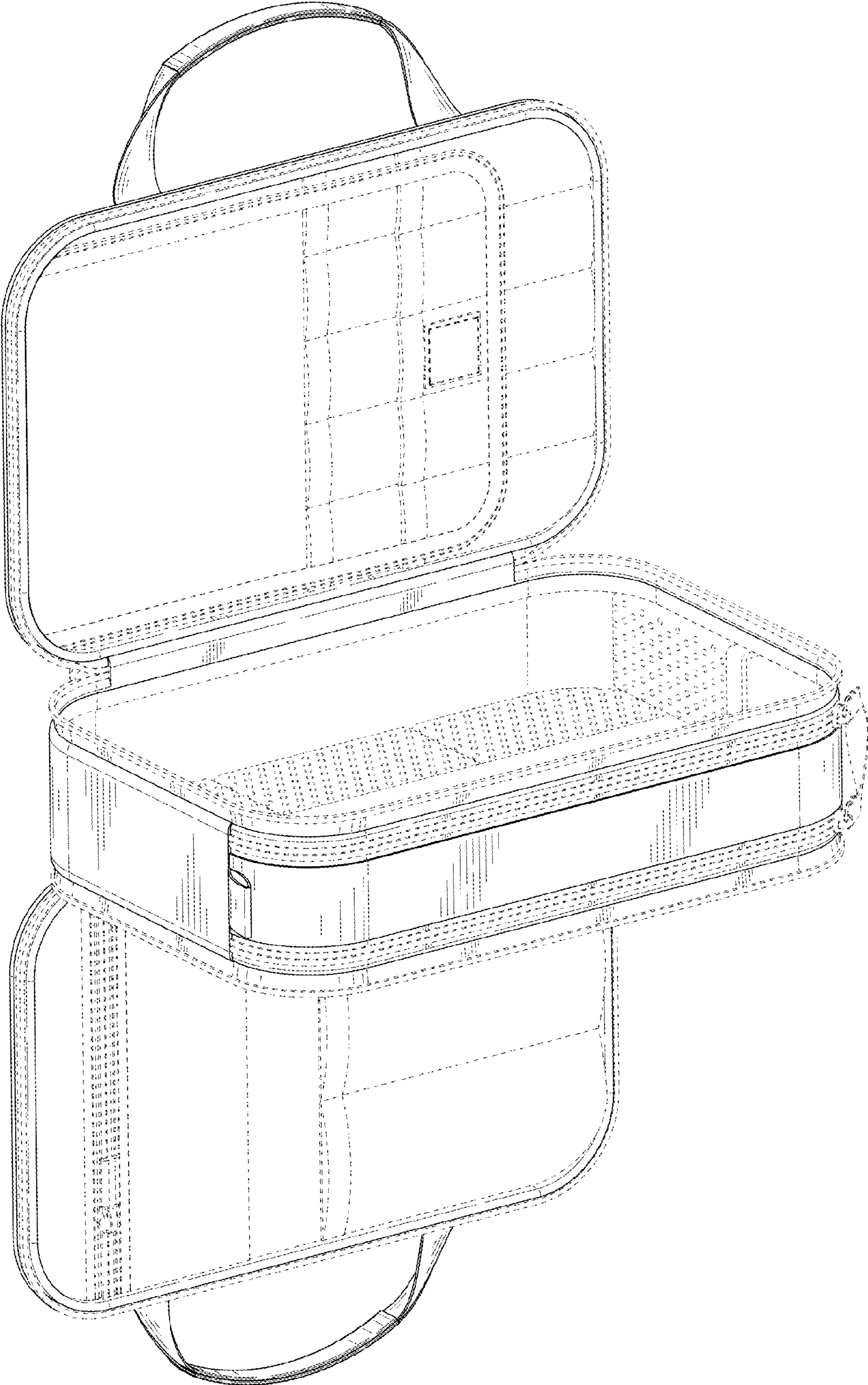


FIG. 1

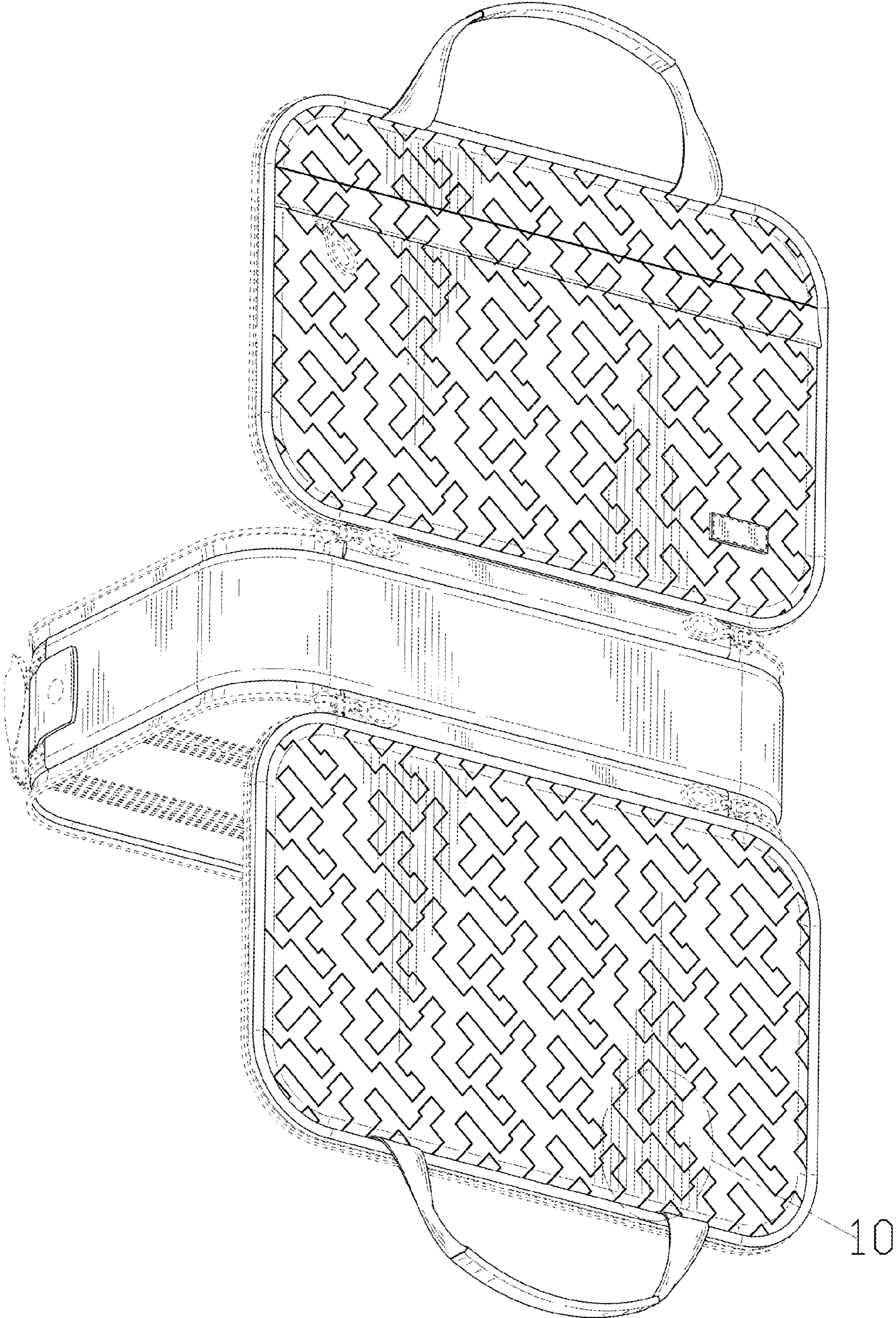


FIG. 2

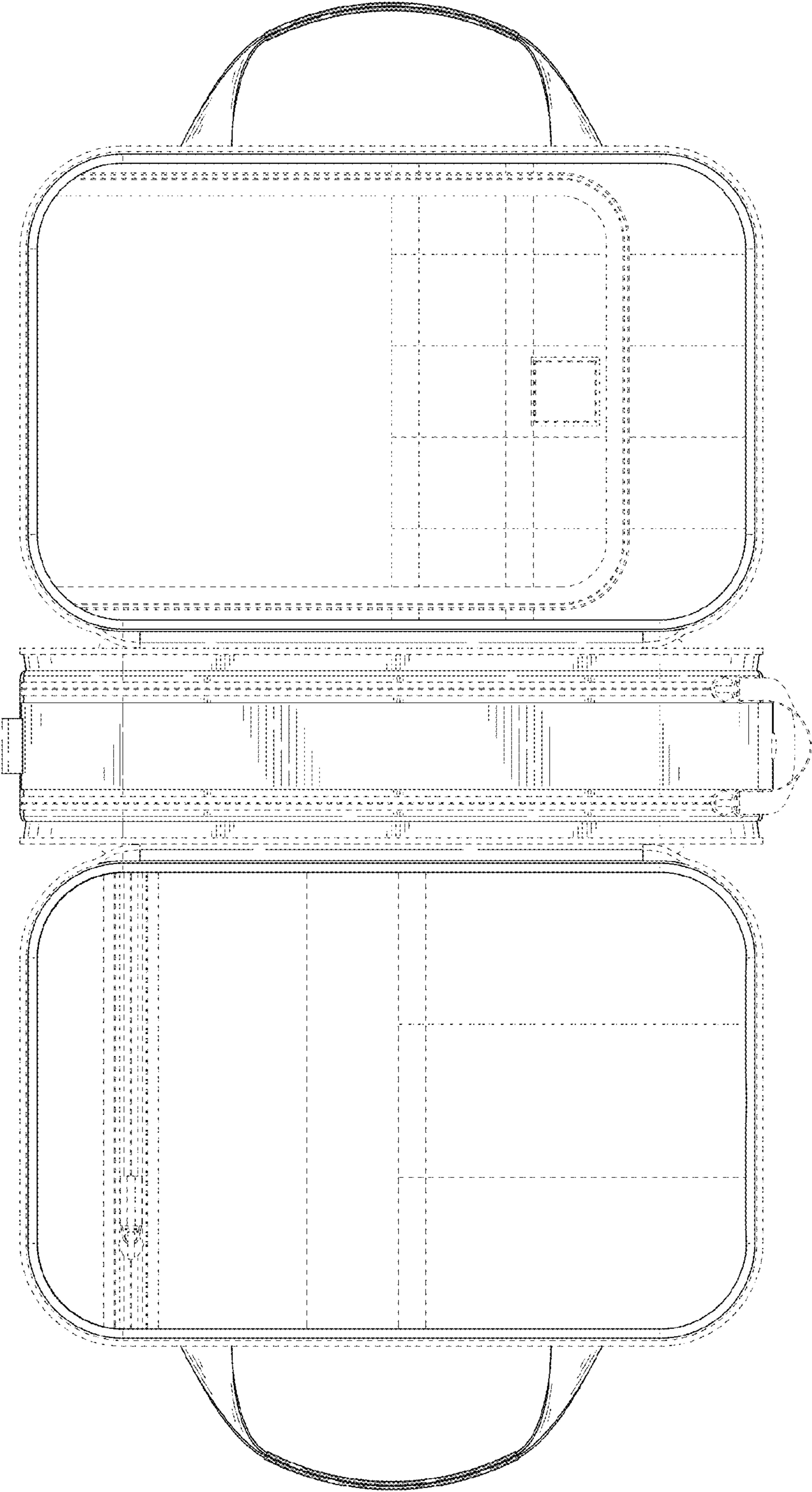


FIG. 3

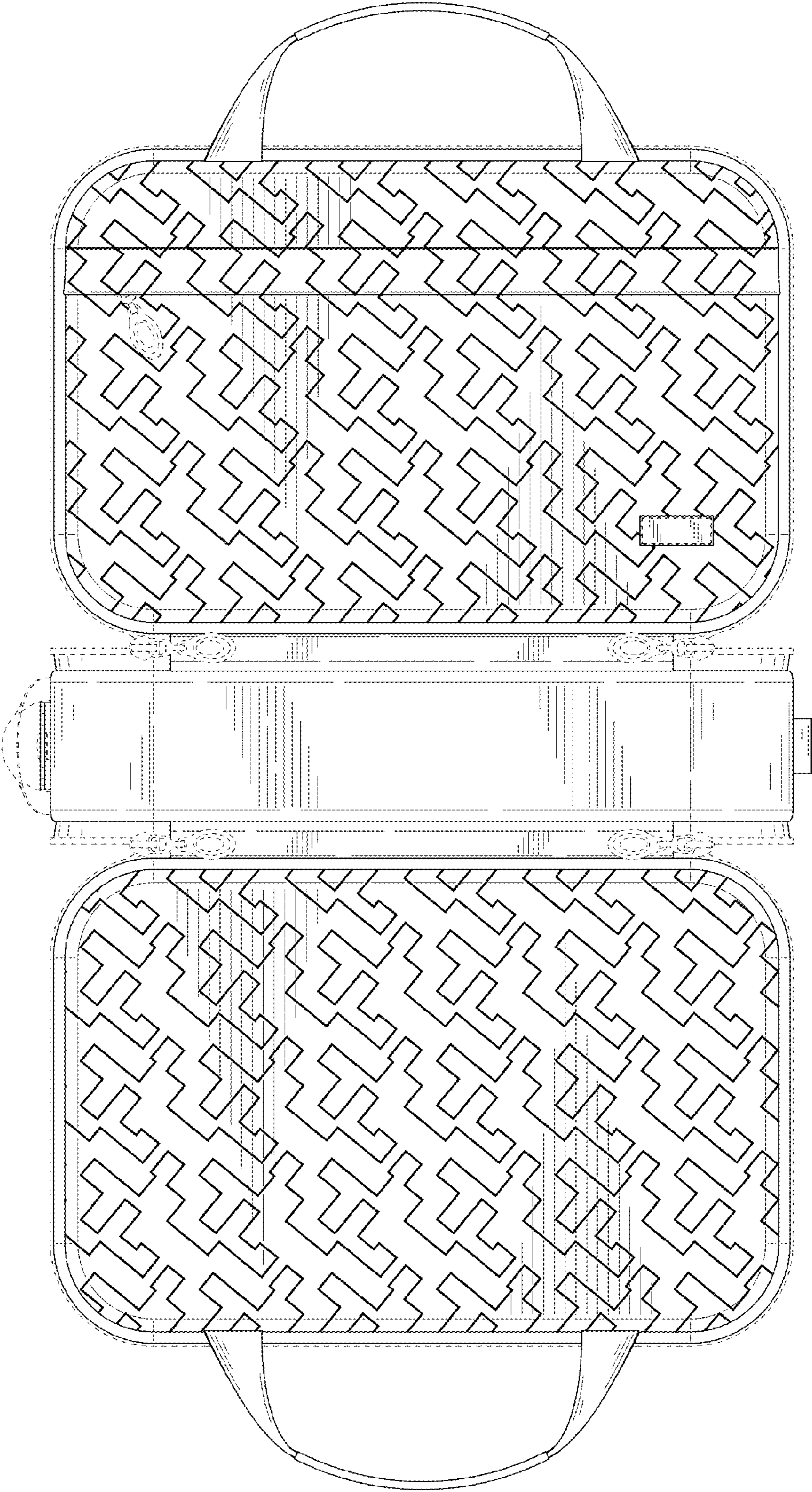


FIG. 4

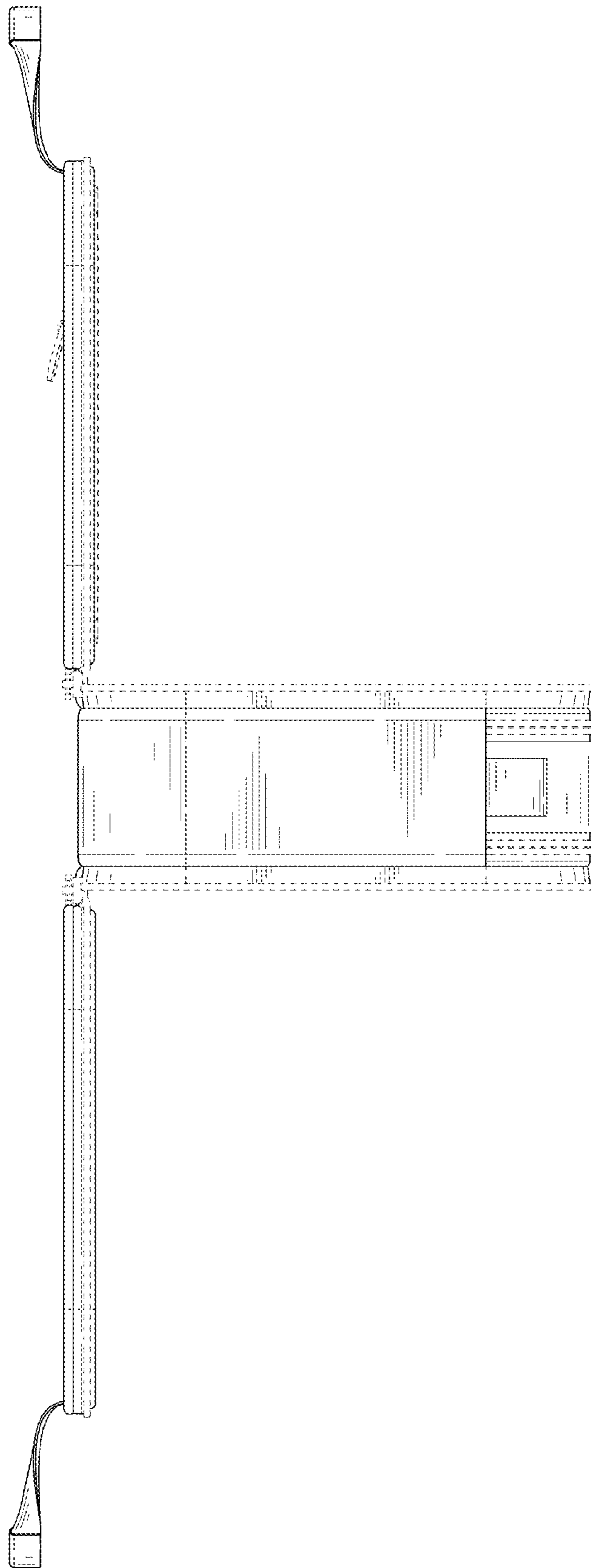


FIG. 5

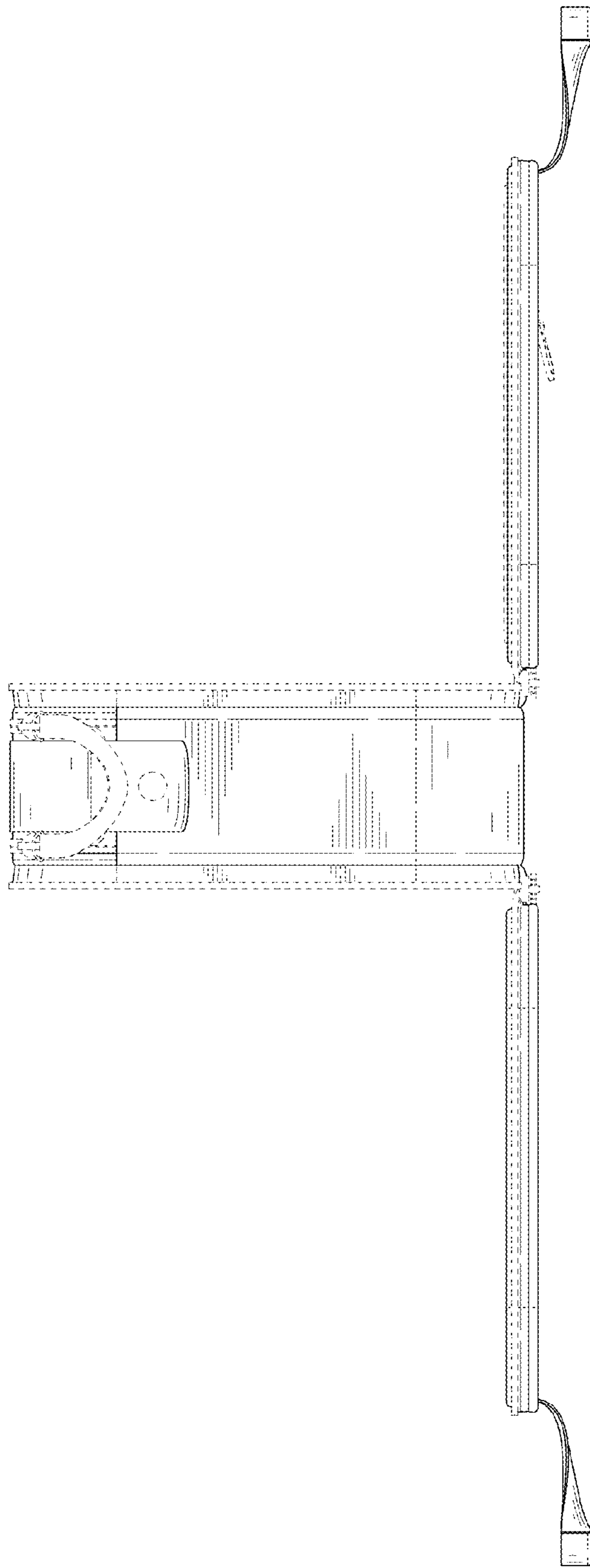


FIG. 6

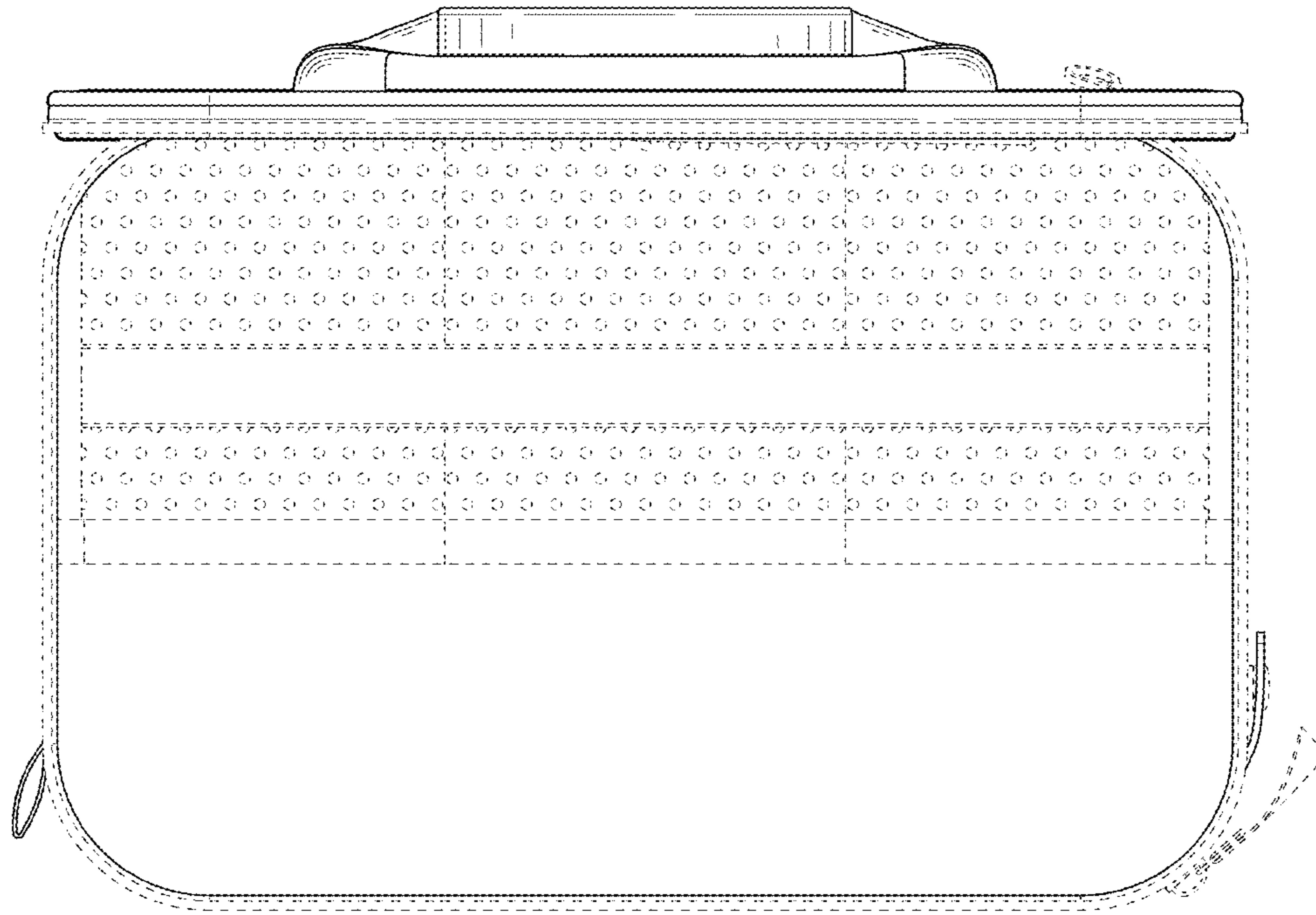


FIG. 7



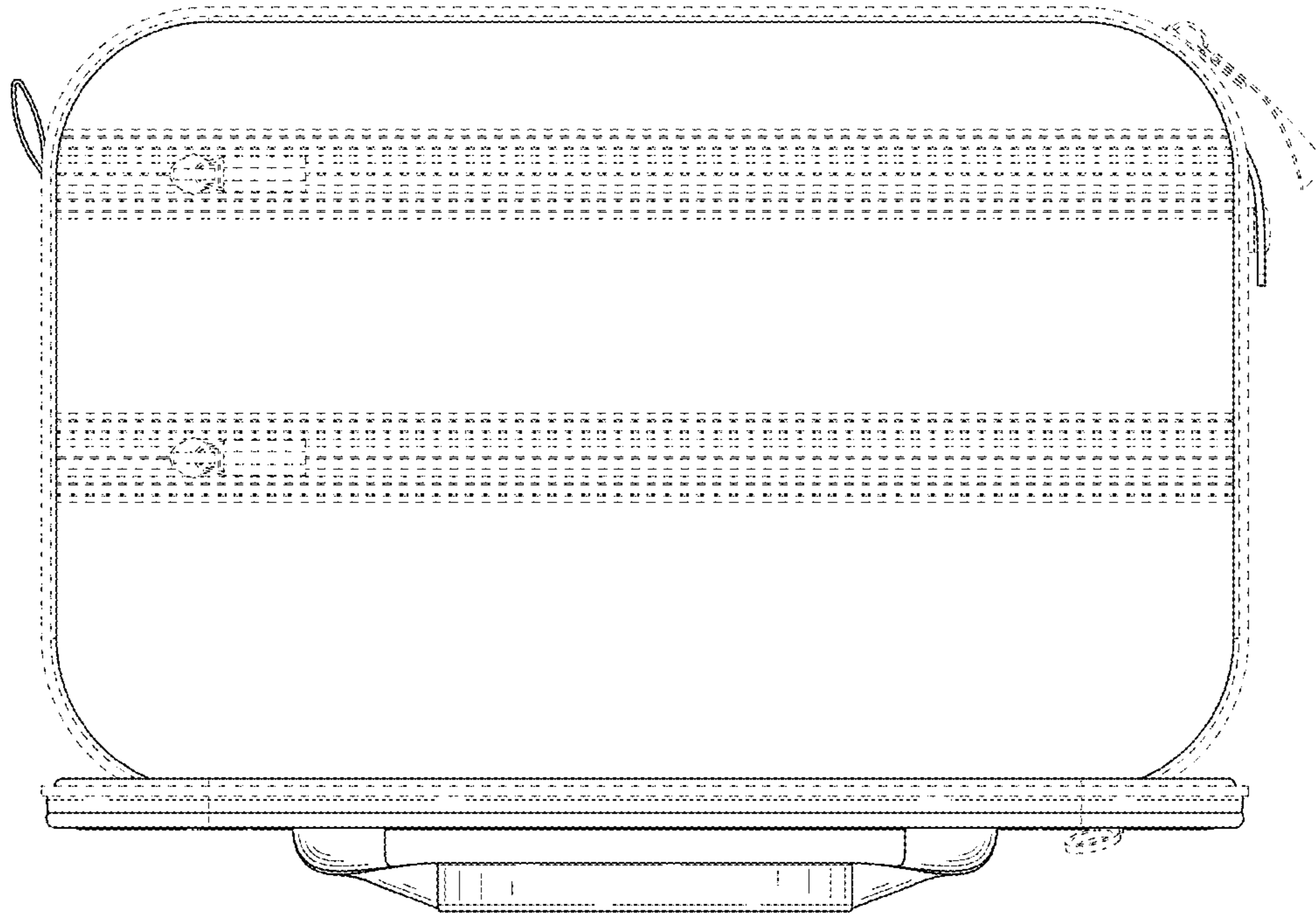


FIG. 8



FIG. 9

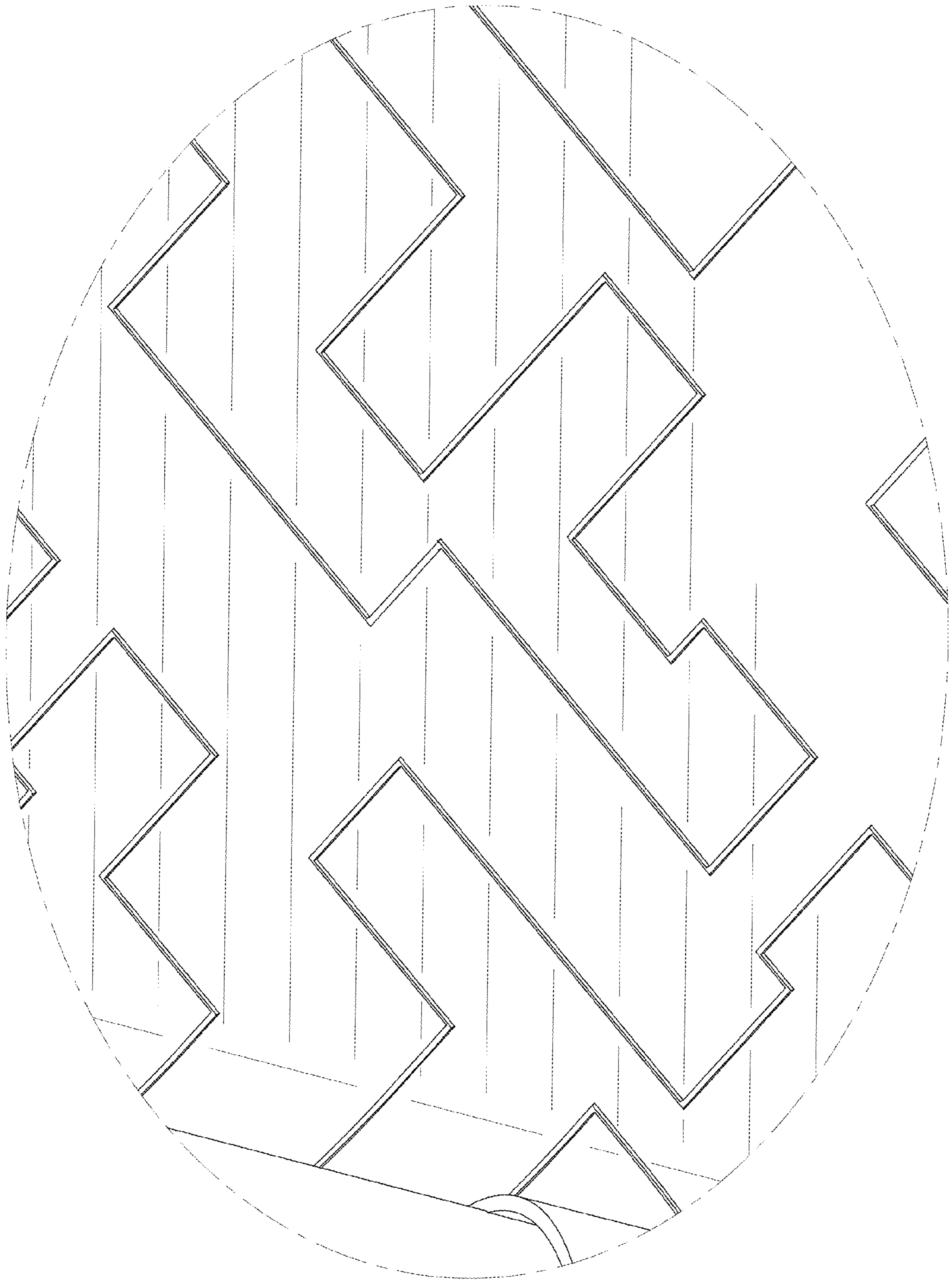


FIG. 10